



US00D390718S

United States Patent [19]

Howland et al.

[11] Patent Number: **Des. 390,718**

[45] Date of Patent: ****Feb. 17, 1998**

[54] **CHILDRENS TRAY TABLE**

[76] Inventors: **William Otis Howland**, 6312 Carnegie Dr., Bethesda, Md. 20817; **Lettie Catherine Howland**, 22825 Madison St., Torrance, Calif. 90505

[**] Term: **14 Years**

[21] Appl. No.: **62,651**

[22] Filed: **Nov. 21, 1996**

[51] LOC (6) Cl. **06-06**

[52] U.S. Cl. **D6/406**

[58] Field of Search D6/406, 420, 511, D6/419; D12/415, 416, 133, 128; D7/698, 553; 297/148; 108/43, 44; 224/924, 540, 625, 679

[56] **References Cited**

U.S. PATENT DOCUMENTS

- D. 152,153 12/1948 Harvey D6/406
- D. 193,244 7/1962 Bliss D6/406
- D. 249,859 10/1978 Scholler D6/406 X
- D. 281,555 12/1985 Levy D6/406
- D. 282,218 1/1986 Catelli D6/406 X
- D. 283,777 5/1986 Morin D7/698

- D. 289,247 4/1987 Wang D6/406 X
- D. 290,316 6/1987 Chiasson D6/406
- D. 319,358 8/1991 Giugiaro D6/406
- D. 346,287 4/1994 Rosen D6/420 X
- D. 354,636 1/1995 Cable D6/406
- D. 355,786 2/1995 Wolff D7/553 X

Primary Examiner—M. N. Pandozzi
Attorney, Agent, or Firm—Nixon & Vanderhye

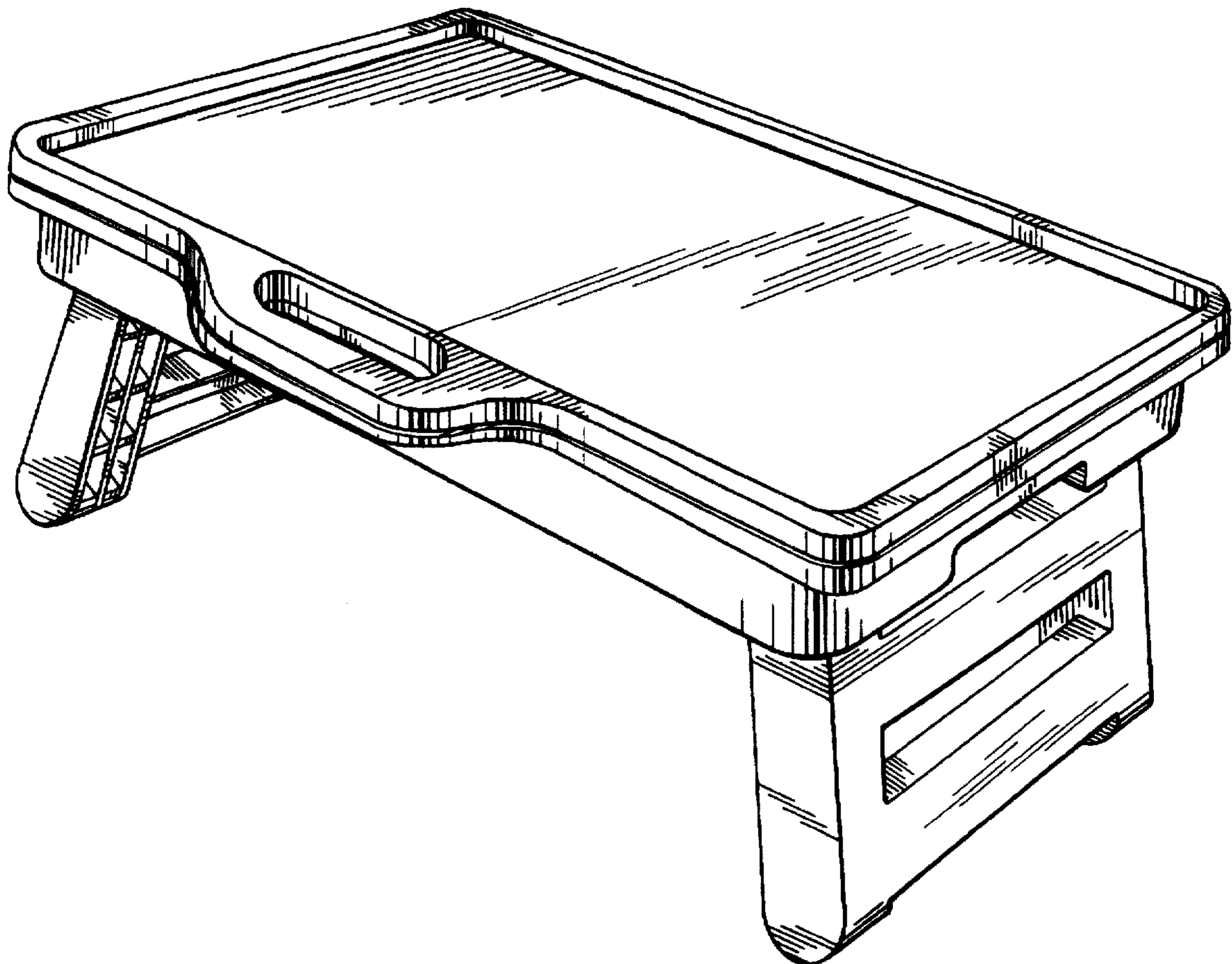
[57] **CLAIM**

The ornamental design for a “children’s tray table”, as shown and described.

DESCRIPTION

FIG. 1 is a top, front and right side perspective view of a children’s tray table according to our design; FIG. 2 is a front elevational view thereof; FIG. 3 is a rear elevational view thereof; FIG. 4 is a left side elevational view thereof, the right side being a mirror image thereof; FIG. 5 is a bottom front perspective view thereof; FIG. 6 is a top, rear and right side perspective view thereof with the table top illustrated in an open position; and, FIG. 7 is a top, front and right side perspective view thereof illustrating the table top in a further opened position.

1 Claim, 5 Drawing Sheets



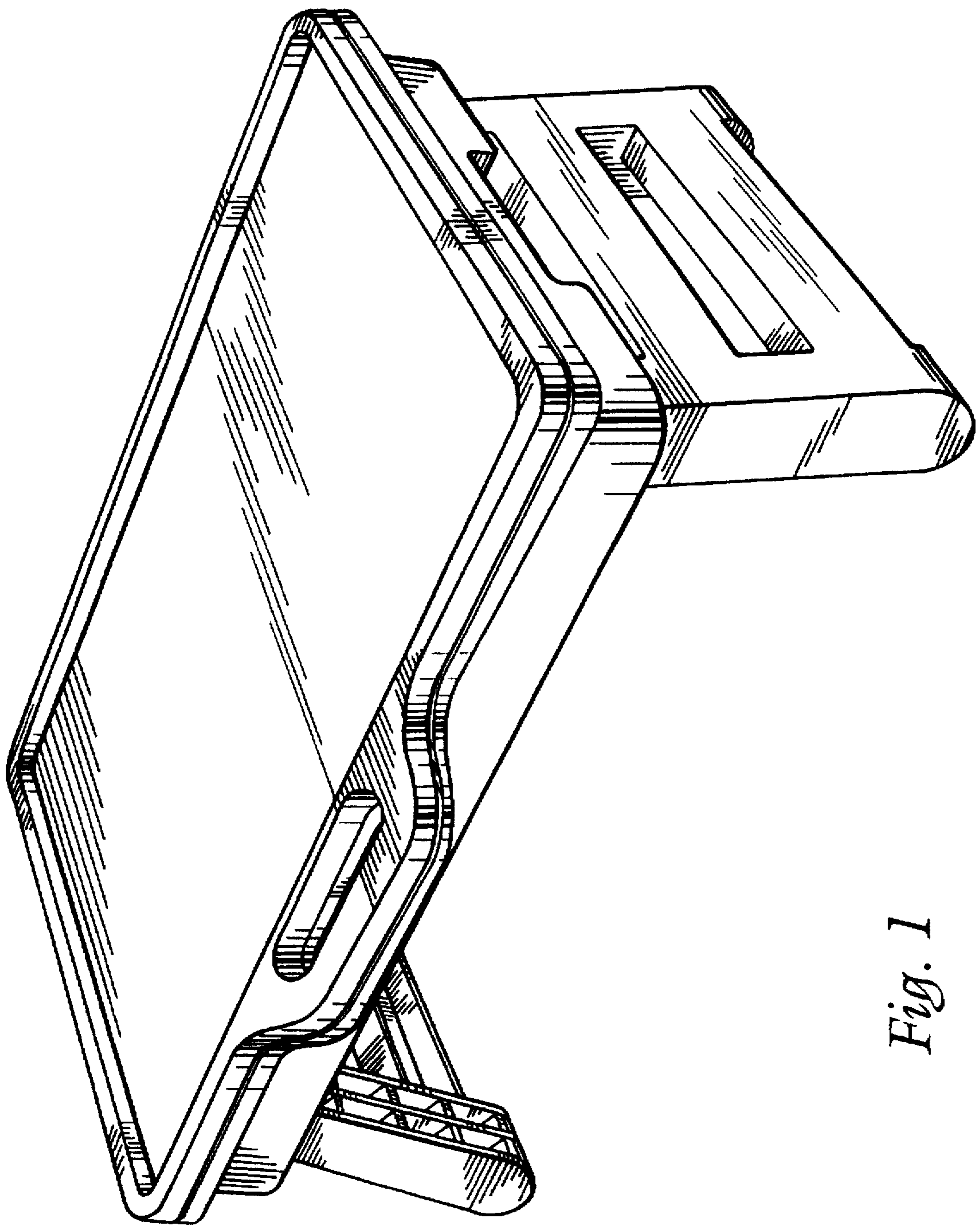


Fig. 1

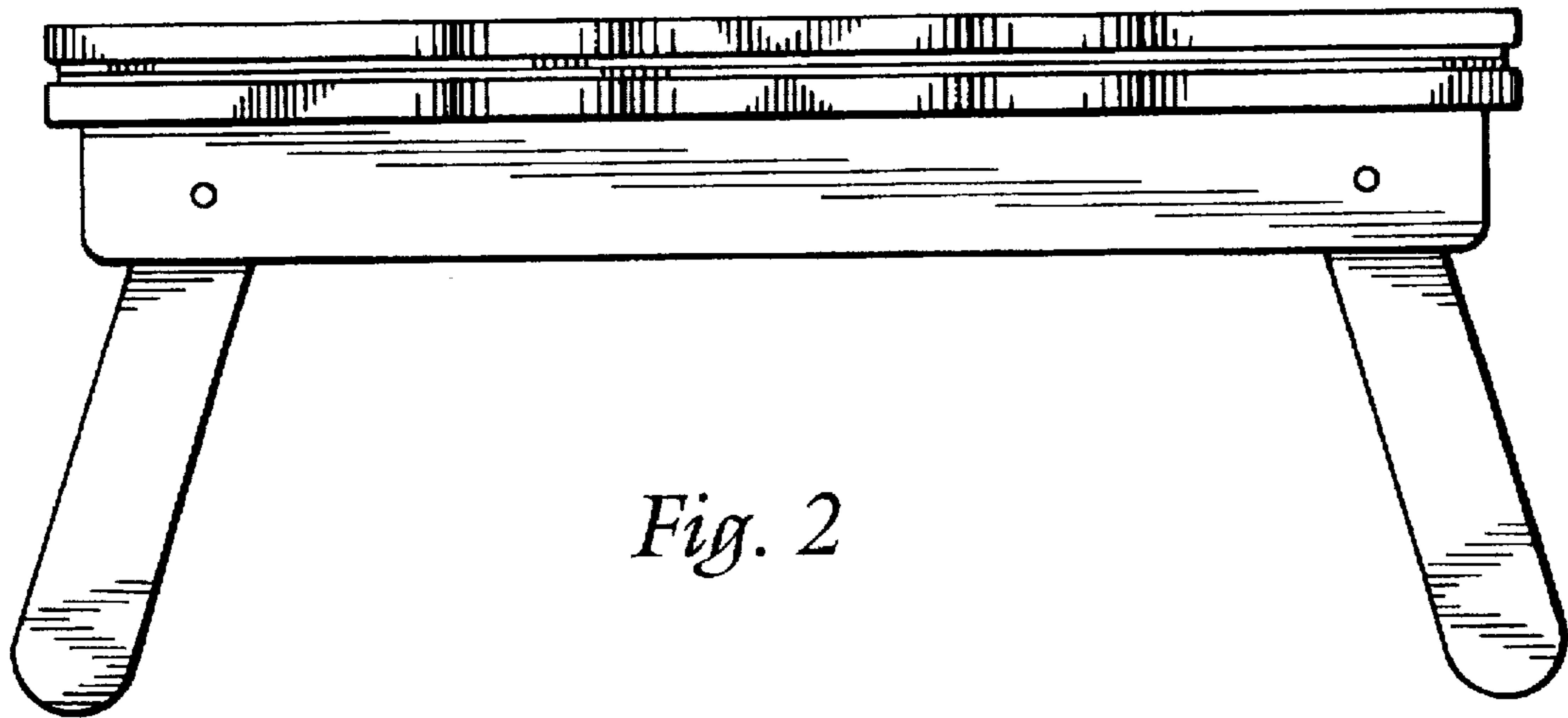


Fig. 2

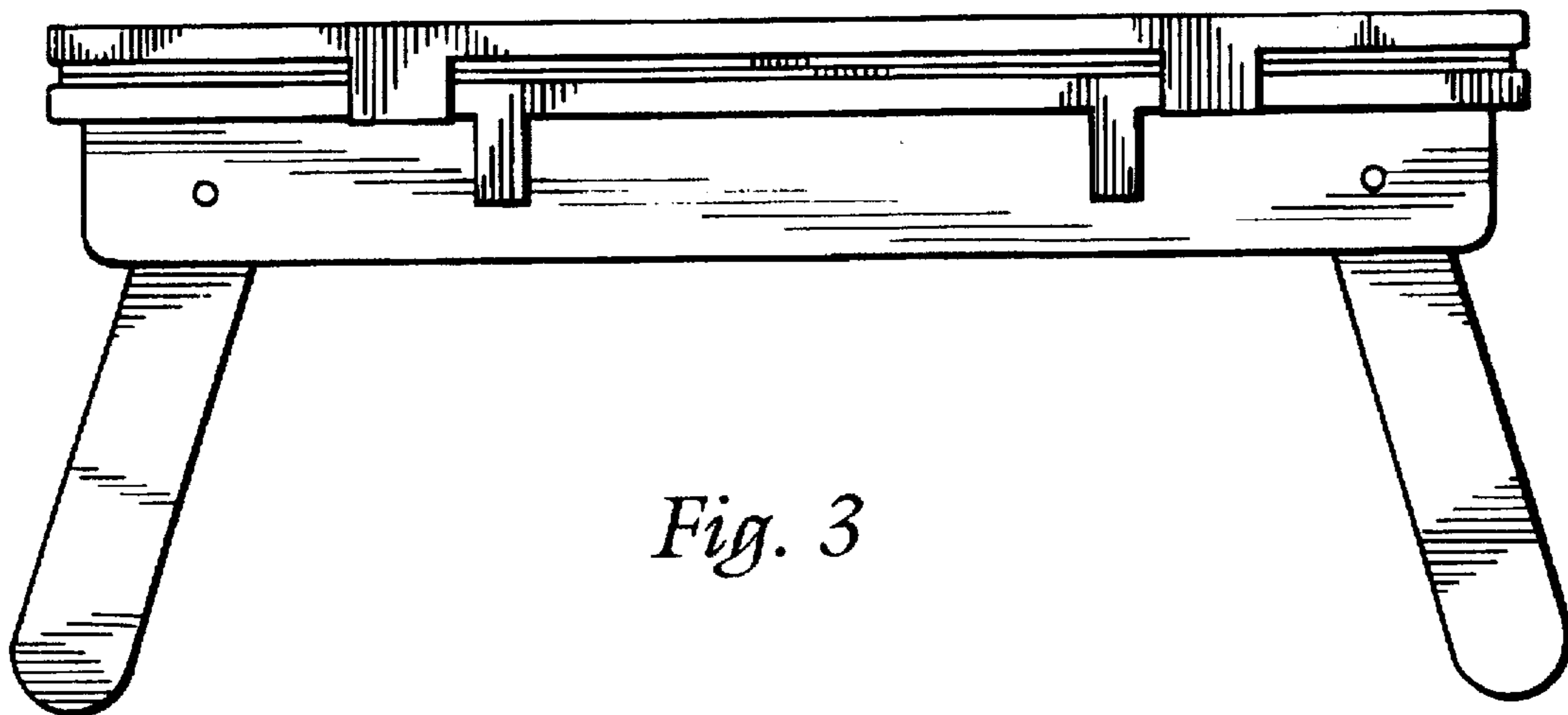


Fig. 3



Fig. 4

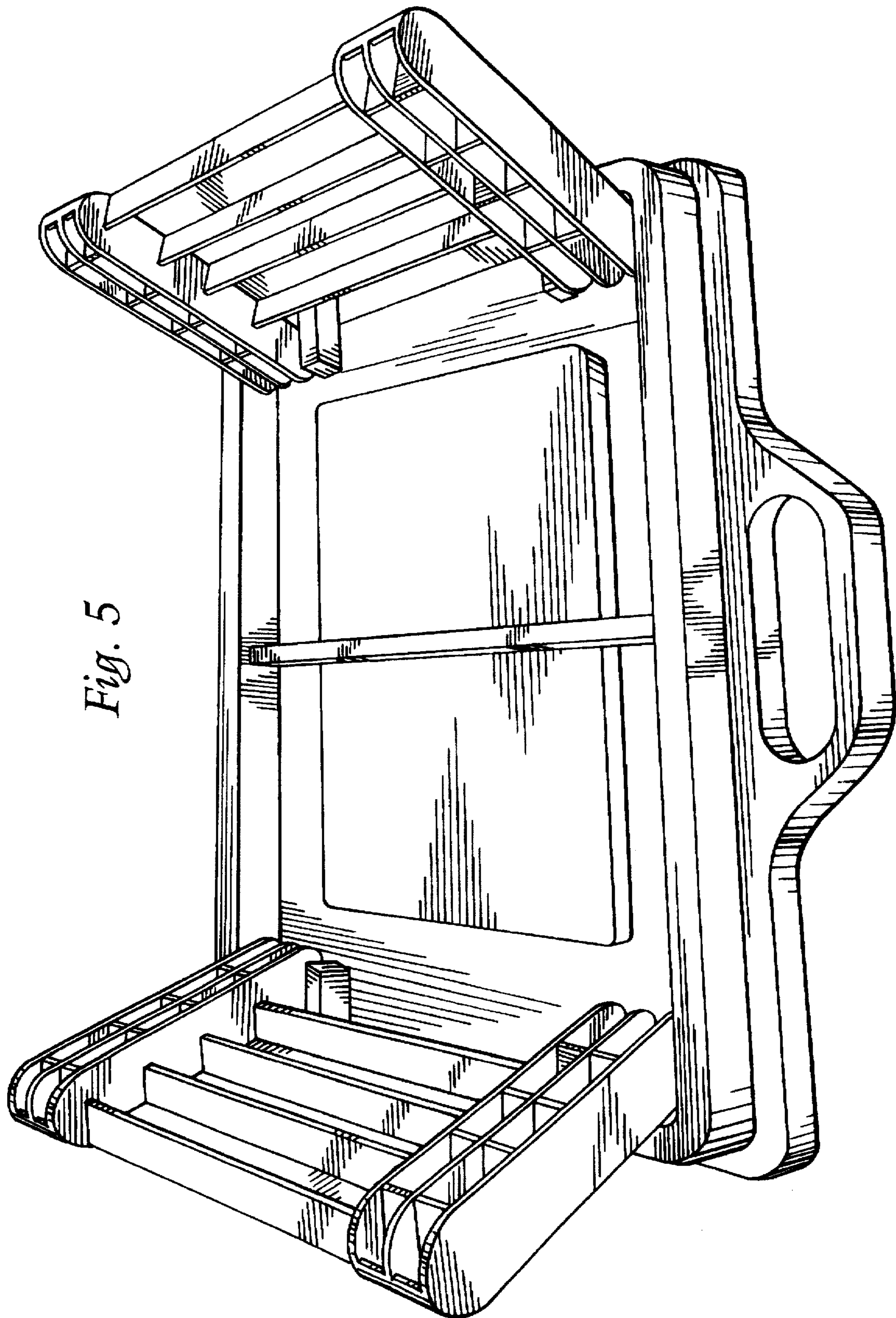


Fig. 5

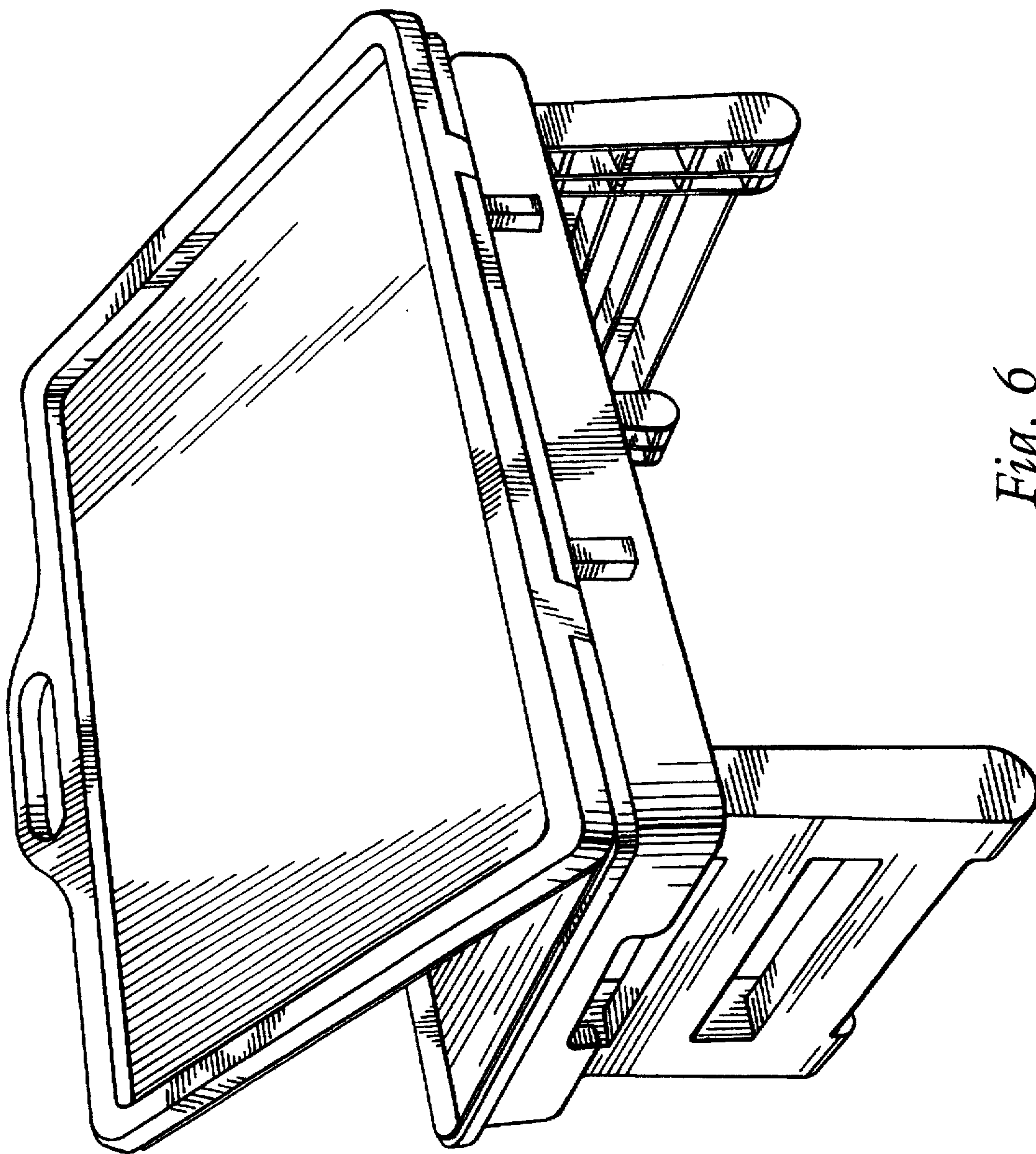


Fig. 6

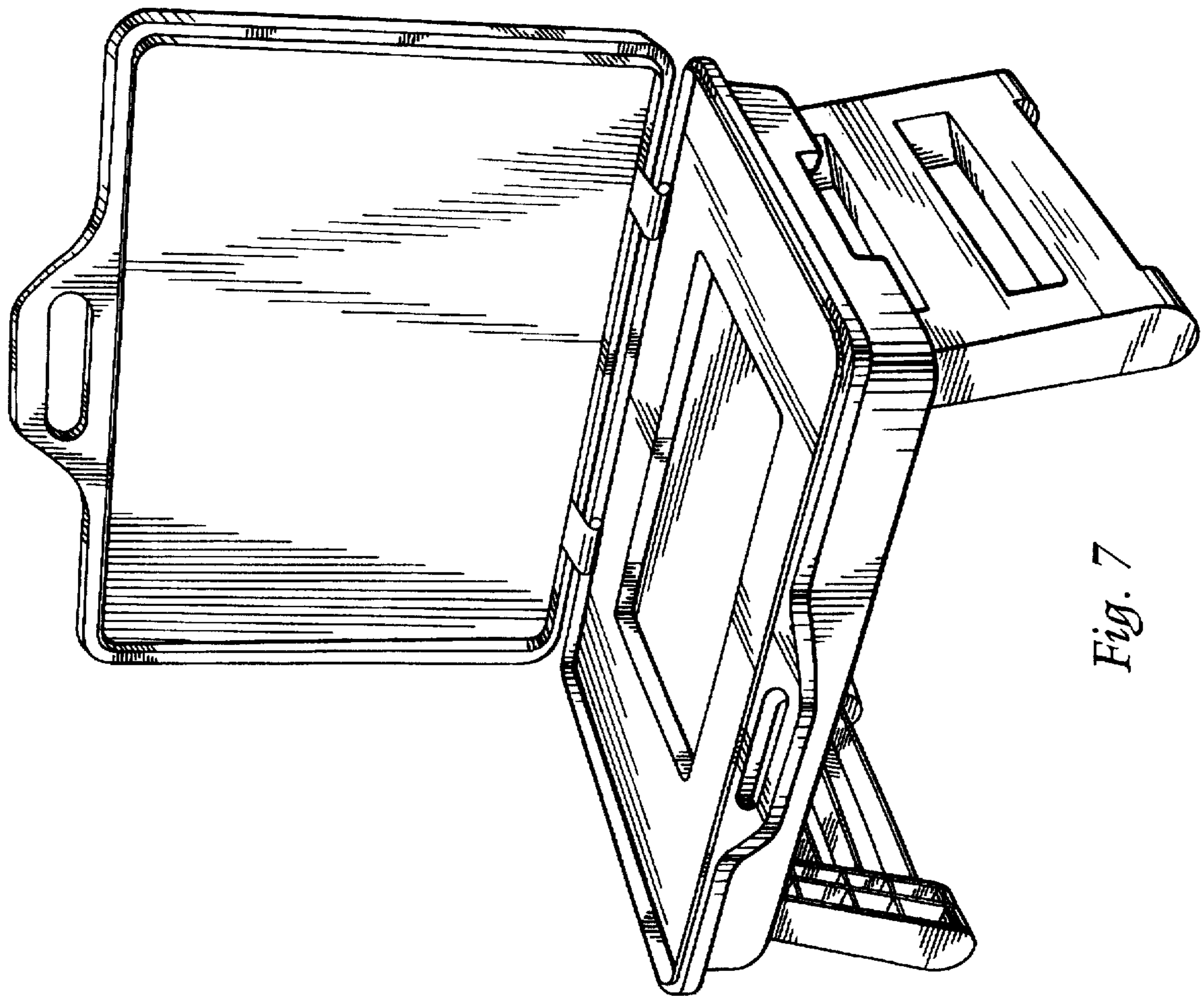


Fig. 7