



US00D390716S

**United States Patent** [19]  
**Oschmann**

[11] **Patent Number: Des. 390,716**  
[45] **Date of Patent: \*\*Feb. 17, 1998**

[54] **COUCH FRAME**

[75] **Inventor: Christa Oschmann, Sonnefeld, Germany**

[73] **Assignee: Chromo-Möbel GmbH & Co. KG, Sonnefeld, Germany**

[\*\*] **Term: 14 Years**

[21] **Appl. No.: 64,750**

[22] **Filed: Jan. 10, 1997**

[30] **Foreign Application Priority Data**

Nov. 7, 1996 [WO] WIPO ..... DM/038137

[51] **LOC (6) Cl. .... 06-01**

[52] **U.S. Cl. .... D6/381; D6/335; D6/395**

[58] **Field of Search .... D6/334, 335, 361, D6/370, 381, 382, 383, 393, 395, 500, 501, 502; 5/7, 12.1; 297/232**

[56] **References Cited**

**U.S. PATENT DOCUMENTS**

D. 270,501 9/1983 Olko ..... D6/361

D. 293,637 1/1988 Tallon ..... D6/500  
4,651,362 3/1987 Alperin et al. .... 5/12.1  
4,754,506 7/1988 Yeh ..... D6/395 X

**OTHER PUBLICATIONS**

Kirschman's, Daybed in frame "C" at bottom, Jun. 1992.

*Primary Examiner*—Gary D. Watson  
*Attorney, Agent, or Firm*—Stoel Rives LLP

[57] **CLAIM**

The ornamental design for a couch frame, as shown and described.

**DESCRIPTION**

FIG. 1 is a top, front isometric view of a couch frame according to my new design;  
FIG. 2 is a top plan of the couch frame;  
FIG. 3 is a right side elevational view of the couch frame with the left side being identical;  
FIG. 4 is a front elevational view of the couch frame;  
FIG. 5 is a rear elevational view of the couch frame; and,  
FIG. 6 is a bottom plan view of the couch frame.

**1 Claim, 2 Drawing Sheets**

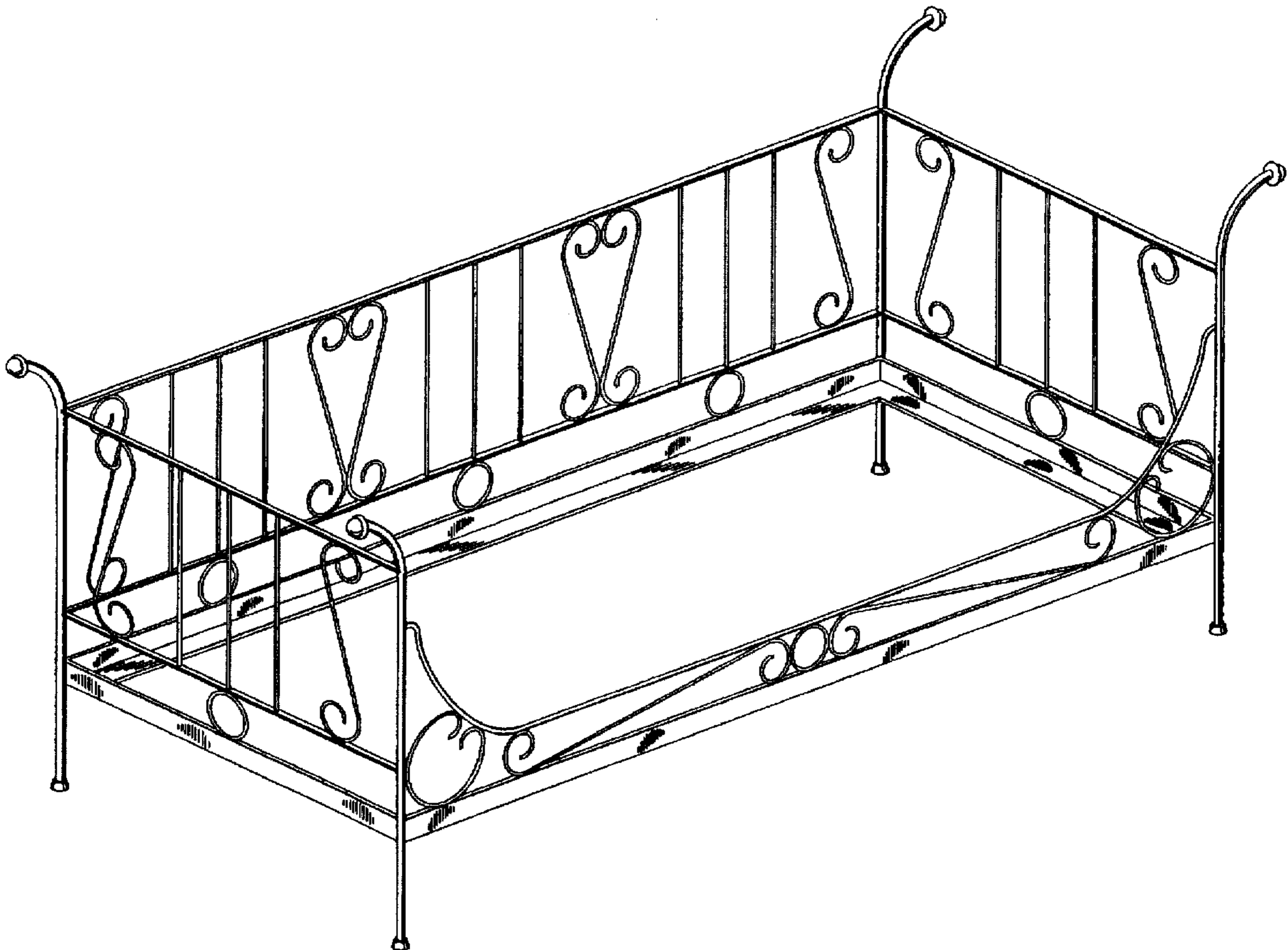


FIG. 1

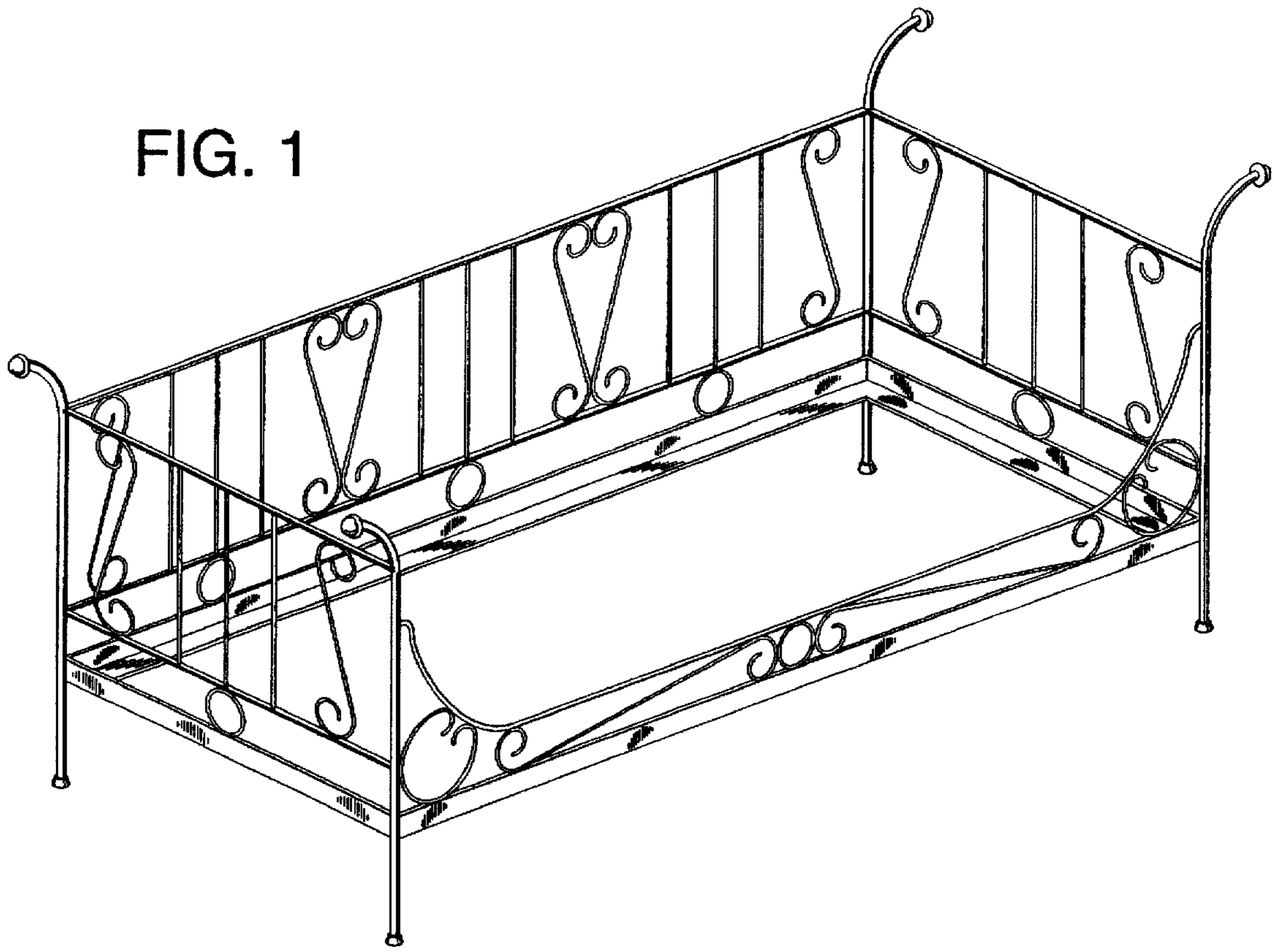


FIG. 2

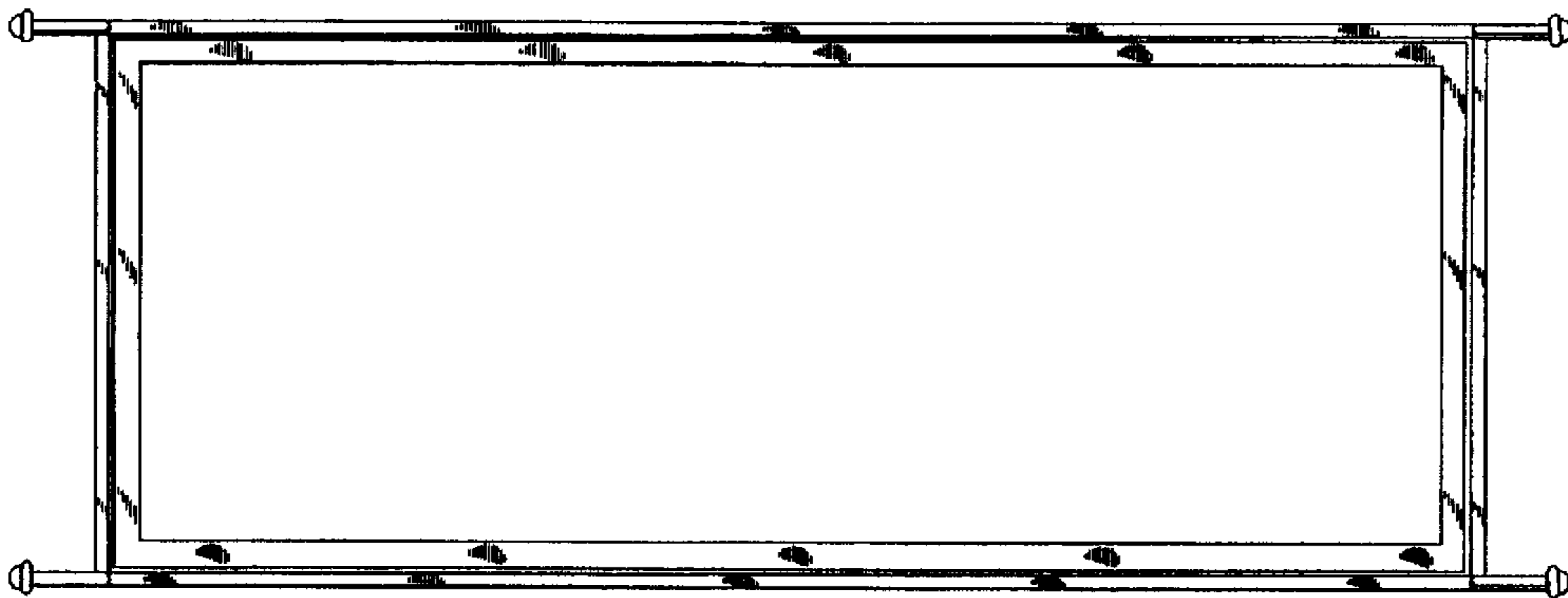


FIG. 3

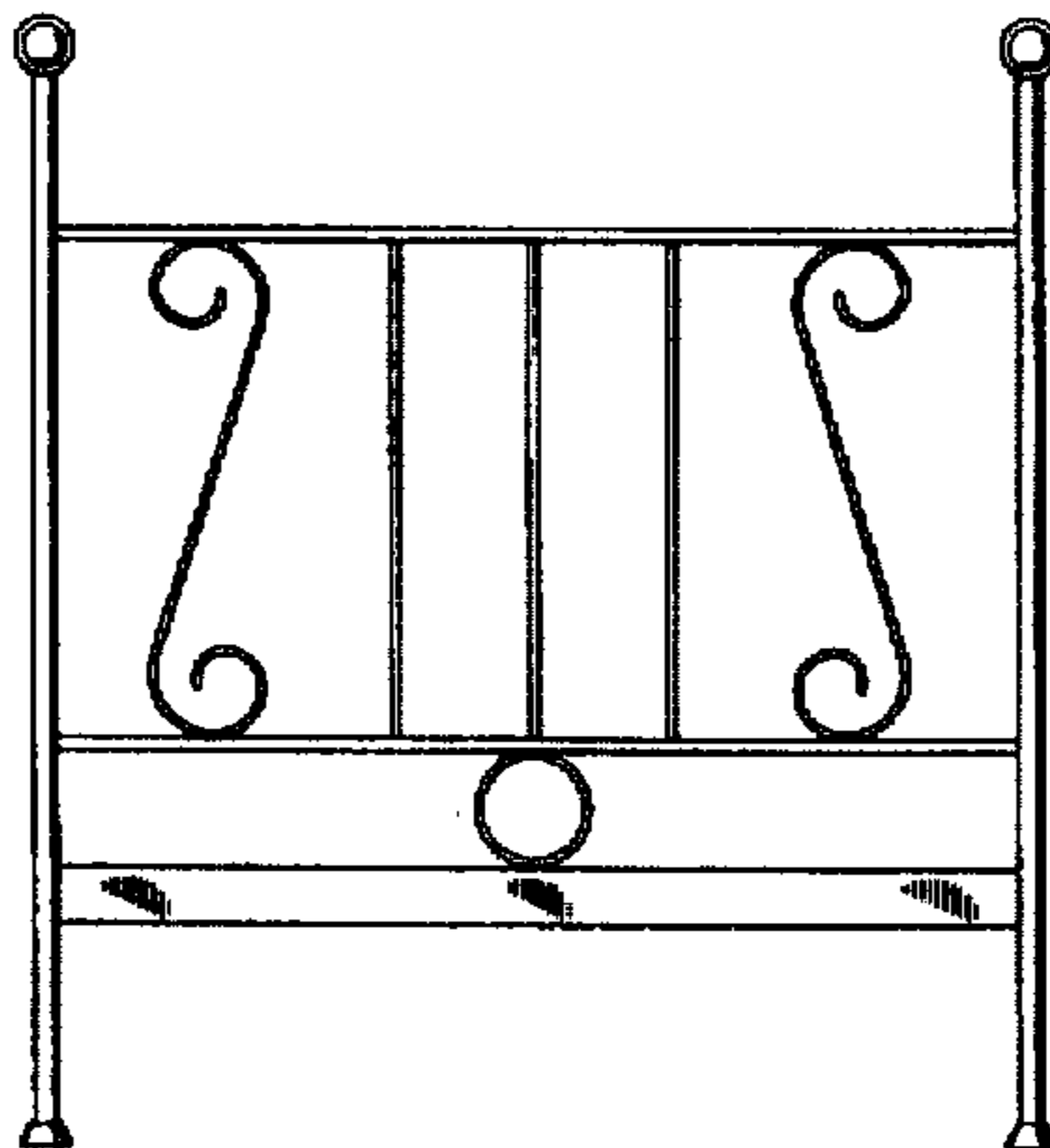


FIG. 4

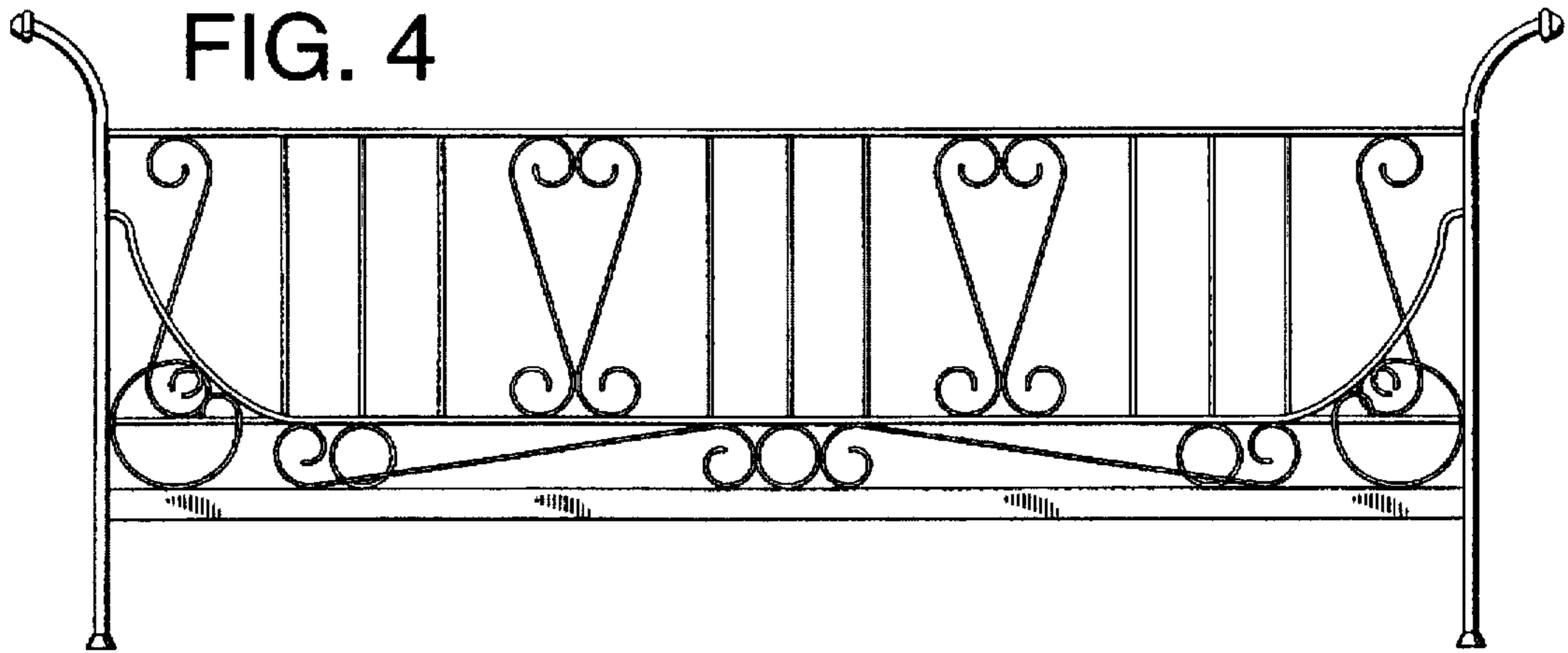


FIG. 5

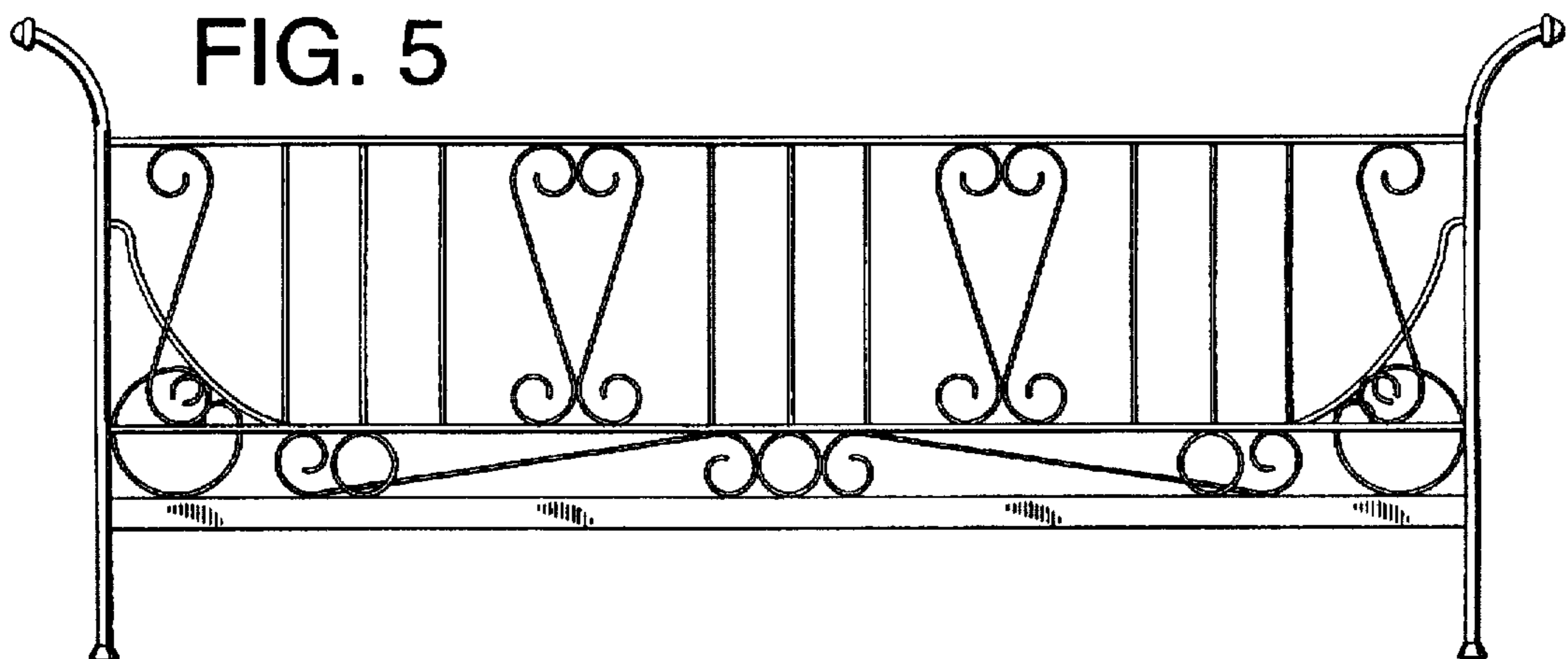


FIG. 6

