



US00D390714S

United States Patent [19]
Goodman

[11] **Patent Number: Des. 390,714**

[45] **Date of Patent: **Feb. 17, 1998**

[54] **CHAIR**

[75] **Inventor: Lloyd Goodman, Hialeah, Fla.**

[73] **Assignee: Pavilion Furniture, Inc., Miami, Fla.**

[**] **Term: 14 Years**

[21] **Appl. No.: 58,253**

[22] **Filed: Aug. 9, 1996**

[51] **LOC (6) Cl. 06-01**

[52] **U.S. Cl. D6/379; D6/376**

[58] **Field of Search D6/334, 370, 374,
D6/376, 379, 500, 501, 502; 297/446.1**

[56] **References Cited**

U.S. PATENT DOCUMENTS

D. 316,491	4/1991	Frinier	D6/379
D. 342,391	12/1993	Caldwell	D6/376
D. 355,078	2/1995	Saiger	D6/370
D. 357,136	4/1995	Hess	D6/376

D. 357,138	4/1995	Hess	D6/379
D. 359,174	6/1995	Arthur, Jr.	D6/376
D. 372,134	7/1996	Martin	D6/376

Primary Examiner—Gary D. Watson
Attorney, Agent, or Firm—Lott & Friedland, P.A.

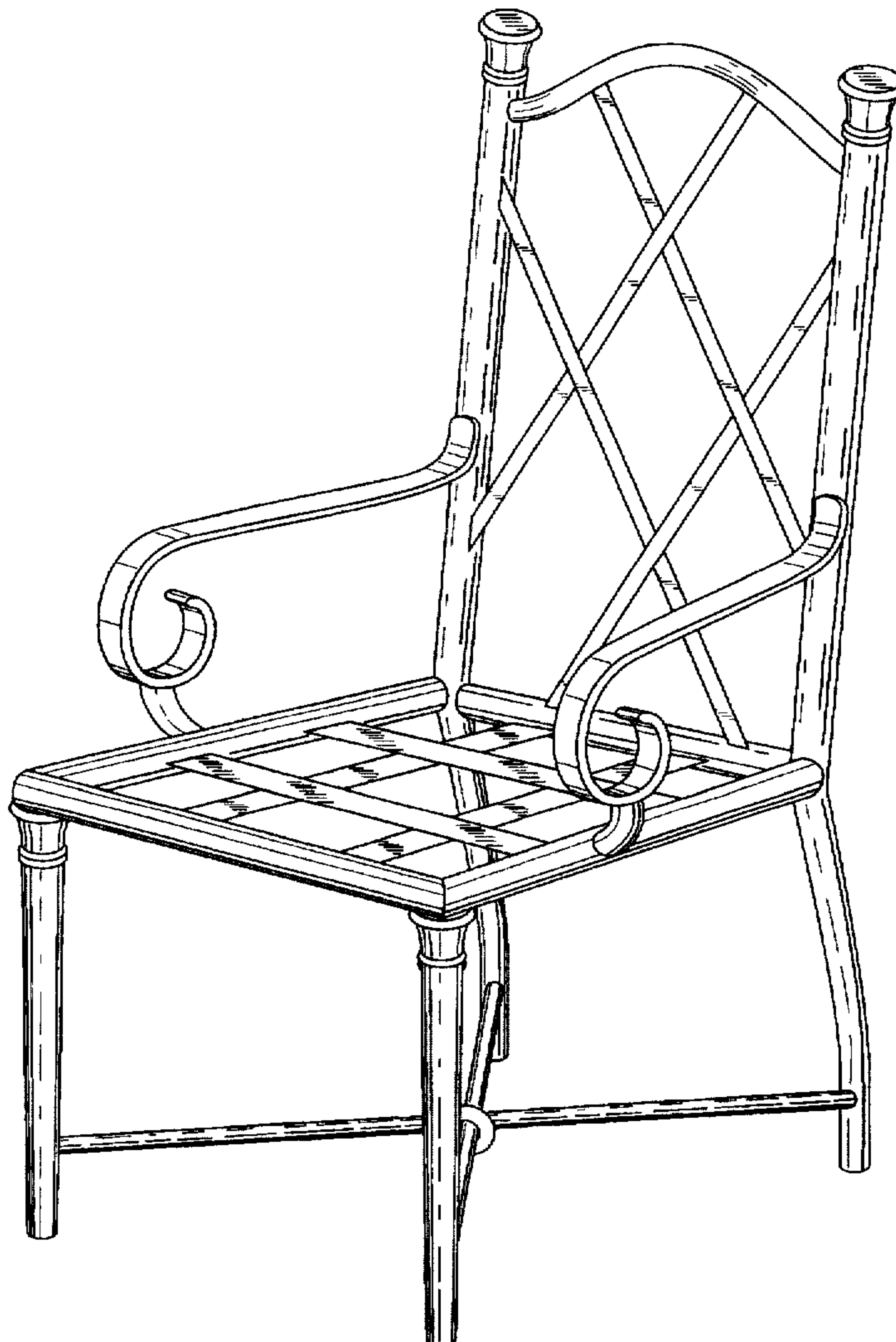
[57] **CLAIM**

The ornamental design for a chair, as shown and described.

DESCRIPTION

FIG. 1 is a perspective view of my new chair;
FIG. 2 is a front view thereof;
FIG. 3 is a rear view thereof;
FIG. 4 is a left side view thereof;
FIG. 5 is a right side view thereof;
FIG. 6 is a top view thereof; and,
FIG. 7 is bottom view thereof.
FIG. 1 has been shown on an enlarged scale with respect to the other views.

1 Claim, 4 Drawing Sheets



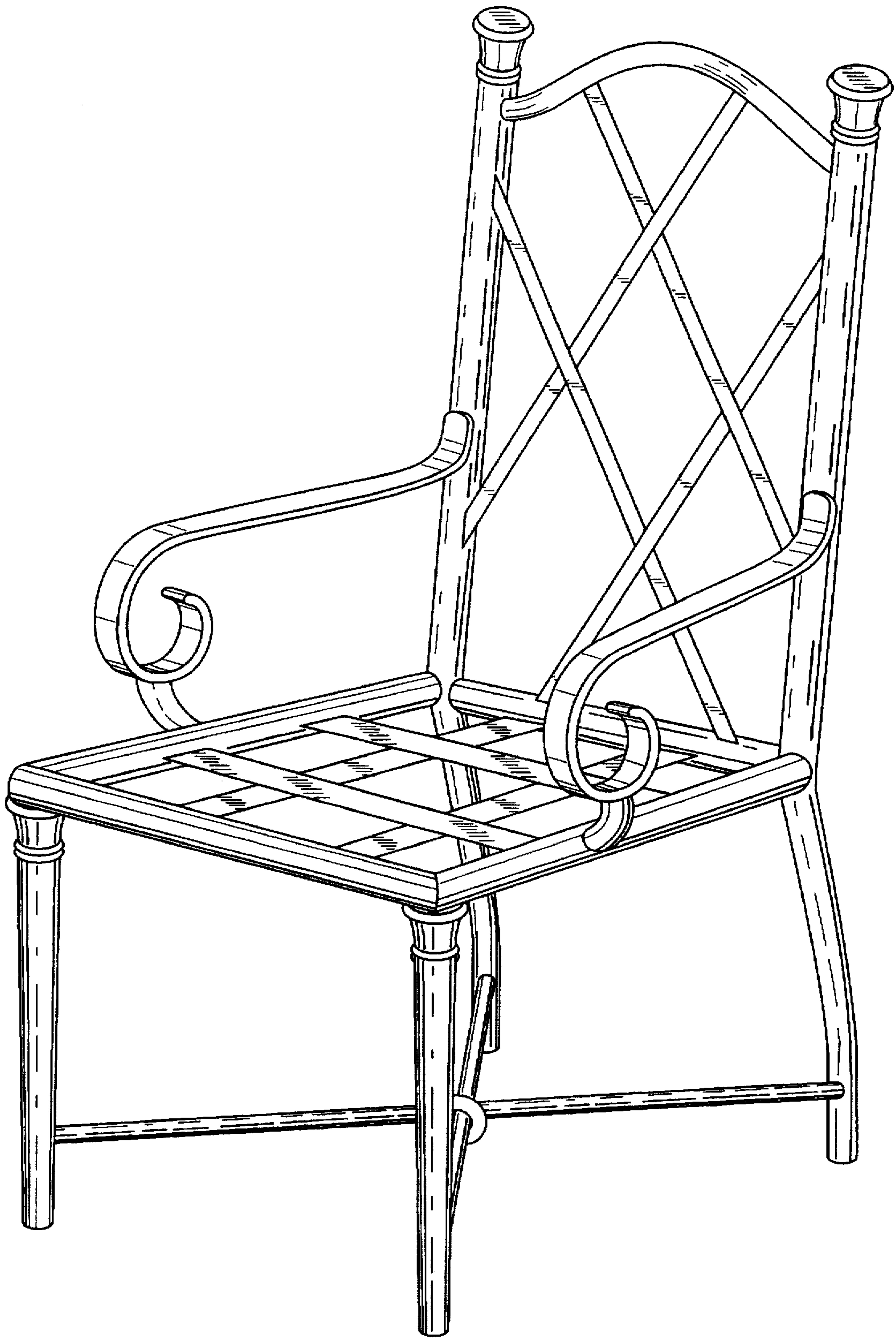


FIG. 1

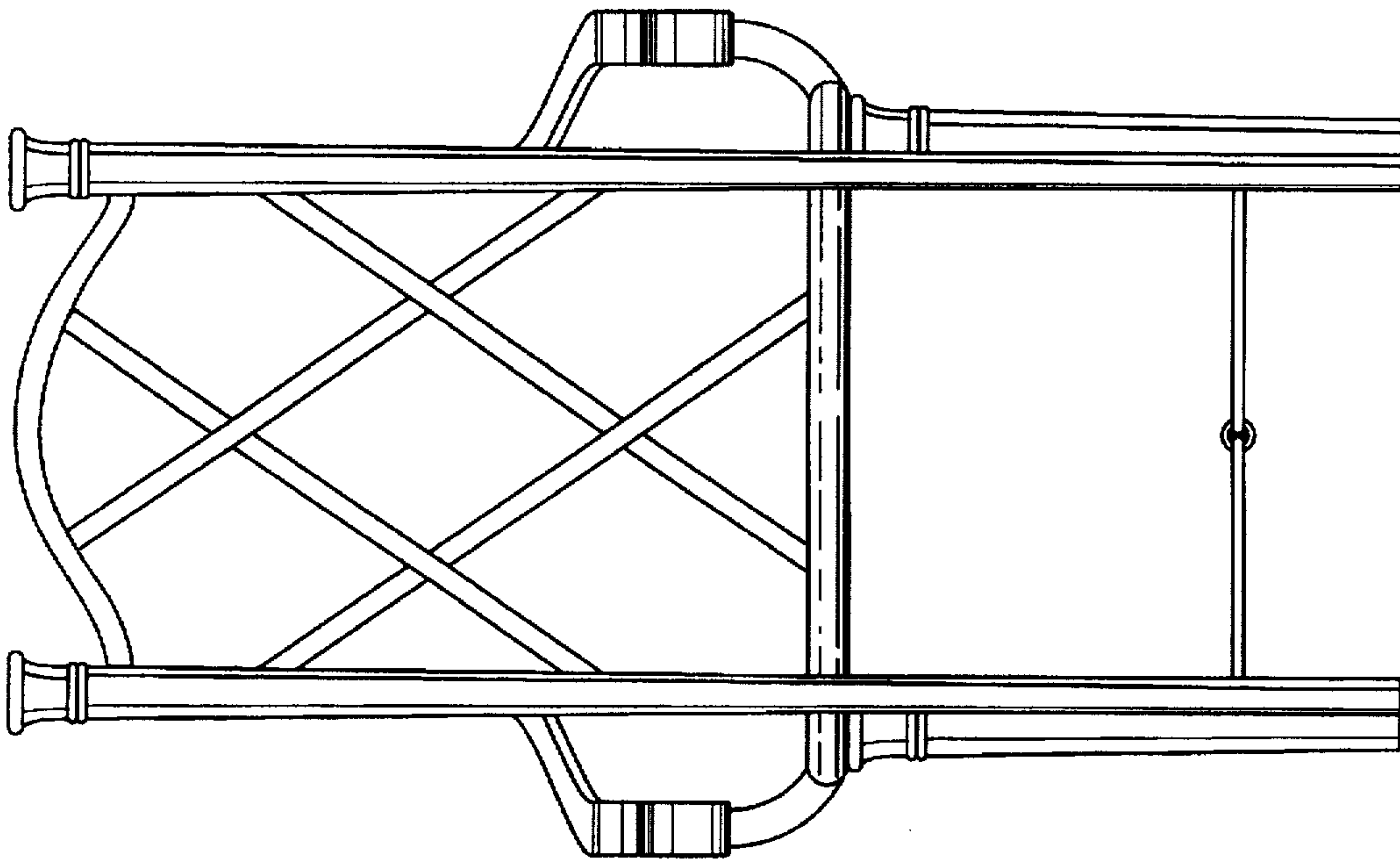


FIG. 3

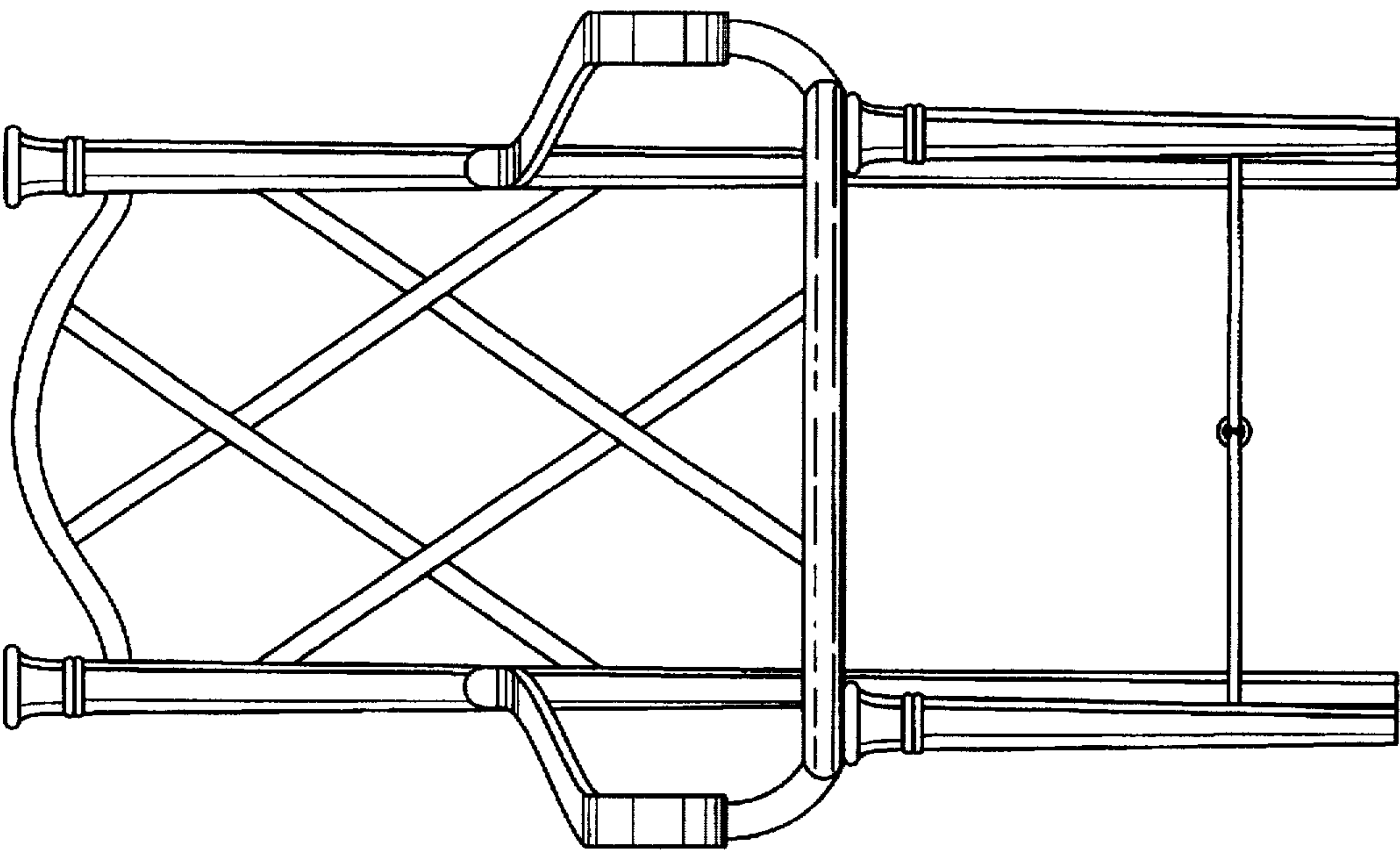


FIG. 2

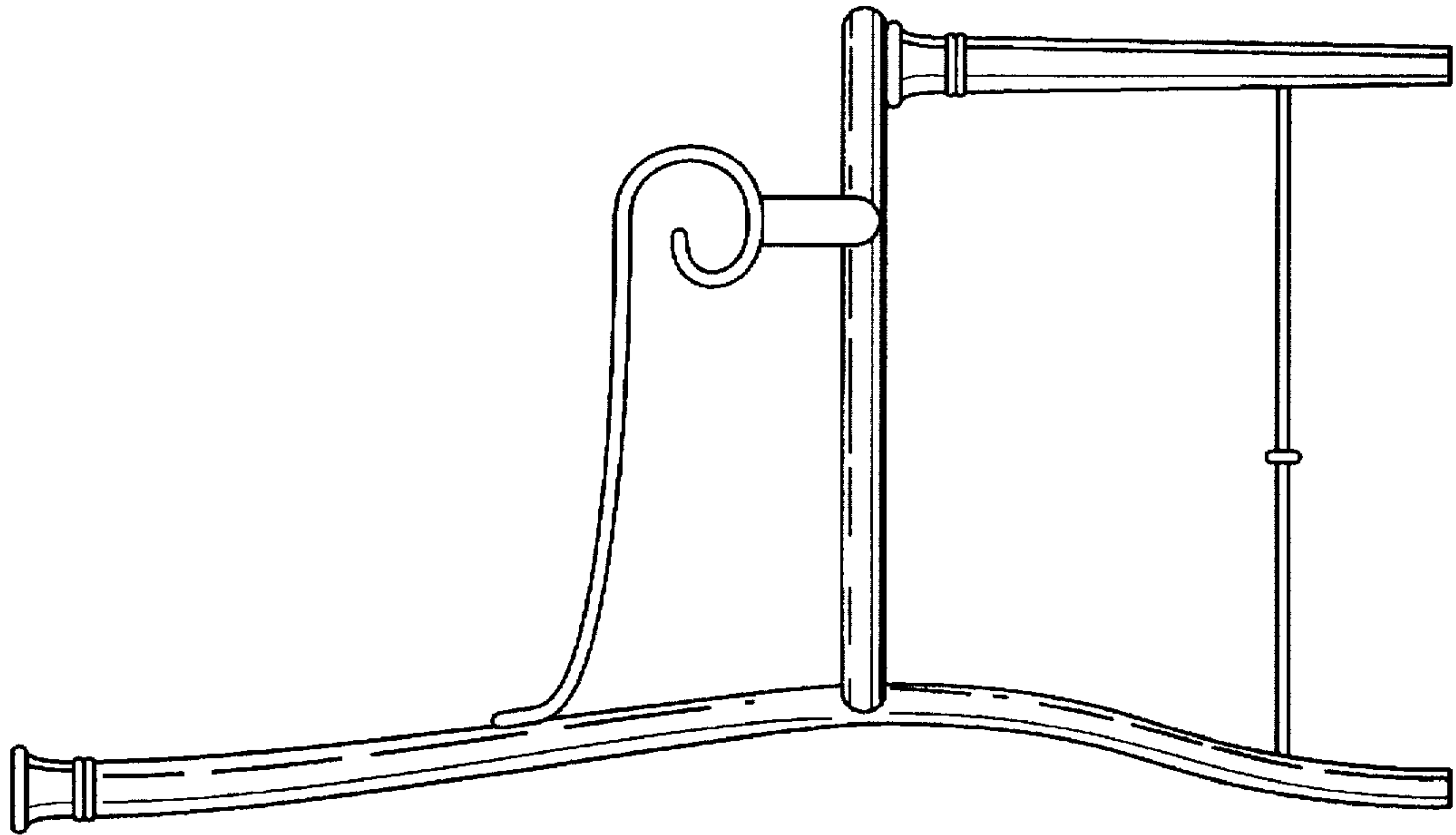


FIG. 5

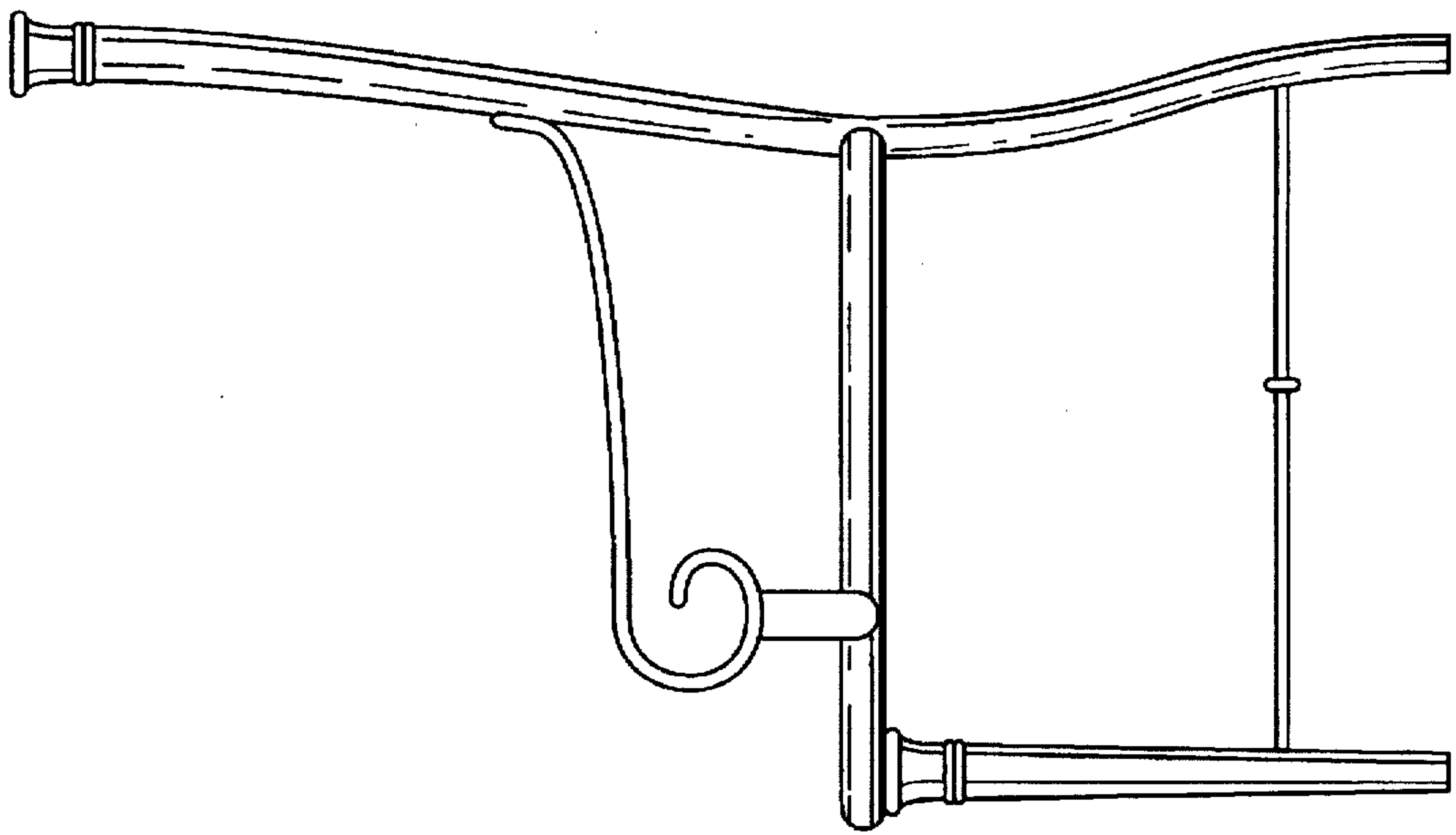


FIG. 4

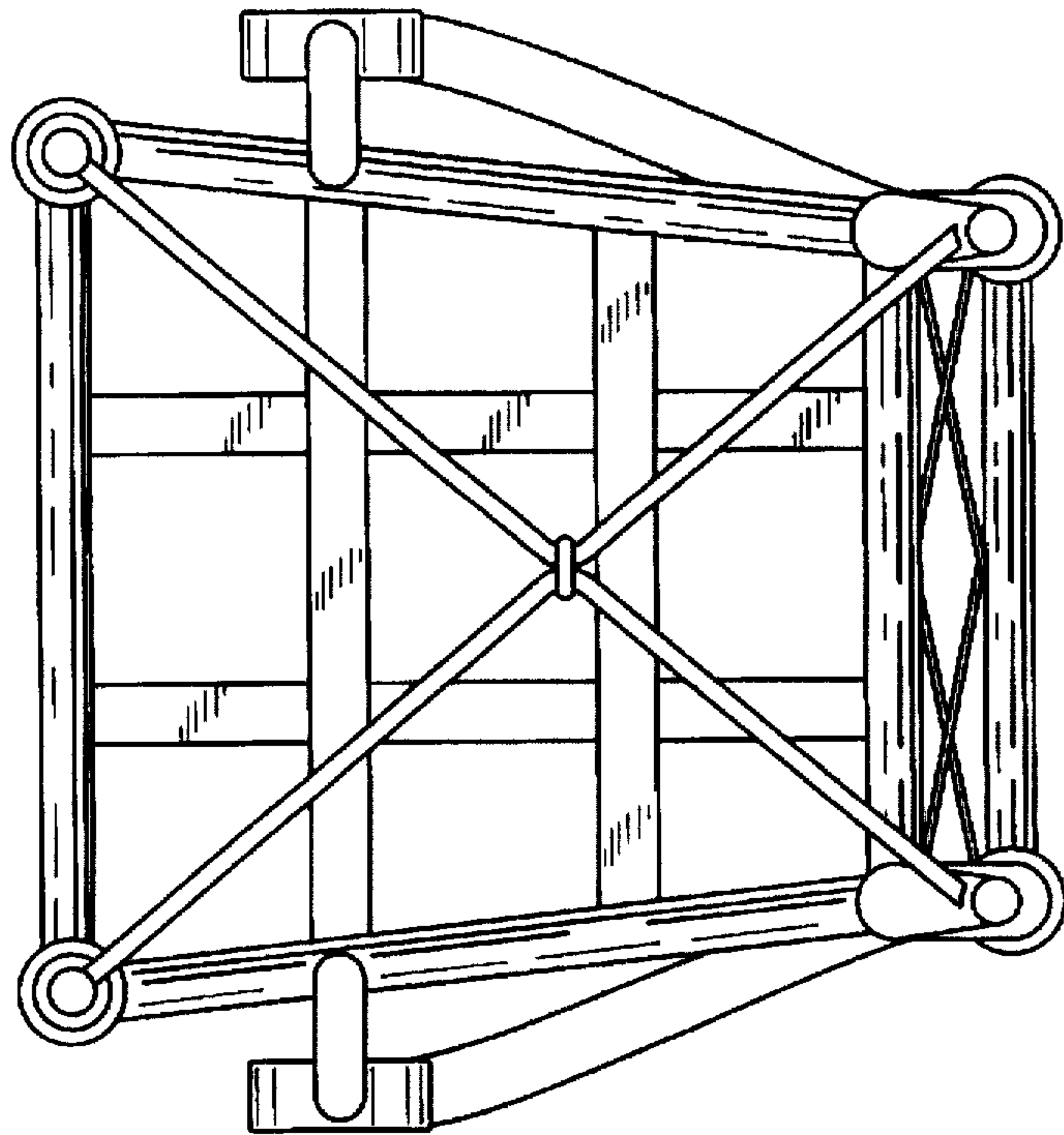


FIG. 7

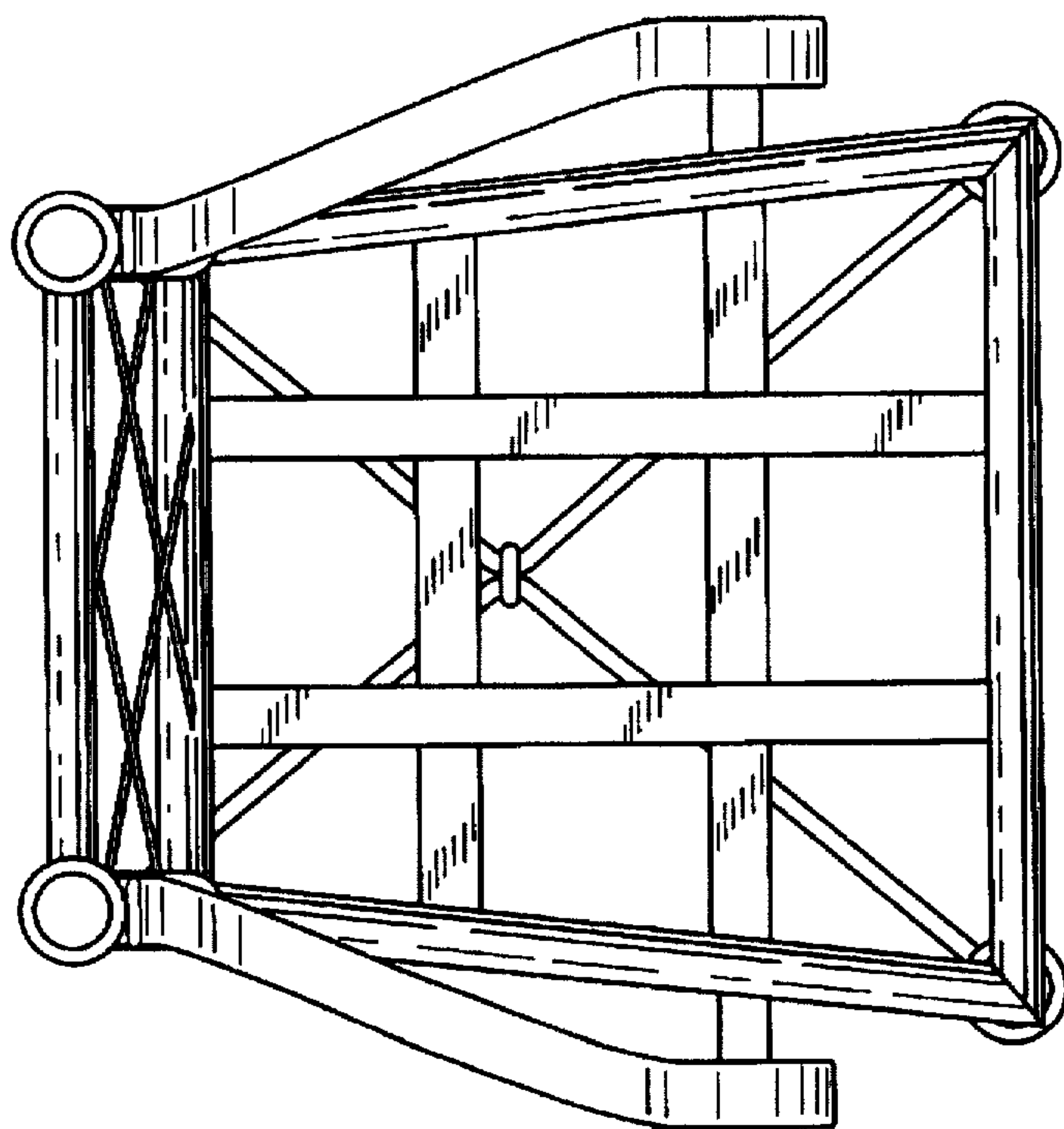


FIG. 6