

US00D390712S

# United States Patent [19]

Koepke et al.

[11] Patent Number: Des. 390,712

[45] Date of Patent: \*\*Feb. 17, 1998

[54] CHAIR

[75] Inventors: **Marcus Koepke, Carmel; Ralph L. Langen, Santa Claus; Neil Broeker, Oakland City, all of Ind.**

[73] Assignee: **Kimball International, Inc., Jasper, Ind.**

[\*\*] Term: **14 Years**

[21] Appl. No.: **62,655**

[22] Filed: **Nov. 21, 1996**

[51] LOC (6) CL ..... **06-01**

[52] U.S. Cl. .... **D6/366; D6/360**

[58] Field of Search ..... **D6/334, 360, 364, D6/365, 366, 367, 500, 501, 502; 297/411.36, 411.4**

[56] **References Cited**

**U.S. PATENT DOCUMENTS**

D. 206,118	11/1966	Bates .....	D6/360
D. 211,461	6/1968	Walkinshaw .....	D6/366
D. 252,781	9/1979	Ball .....	D6/366
D. 264,643	6/1982	Pelly .....	D6/366
D. 275,054	8/1984	Aronowitz et al. ....	D6/360
D. 288,872	3/1987	Schultz .....	D6/366
D. 296,394	6/1988	Chadwick et al. ....	D6/366
D. 327,781	7/1992	Citterio .....	D6/366
D. 327,782	7/1992	Citterio .....	D6/366
D. 330,808	11/1992	Citterio .....	D6/366
D. 339,926	10/1993	Fahnstrom et al. ....	D6/366

D. 339,927	10/1993	Fahnstrom et al. ....	D6/366
D. 345,060	3/1994	Duncan .....	D6/366
D. 360,316	7/1995	Hodge et al. ....	D6/366
D. 363,383	10/1995	Cronk .....	D6/366
D. 376,924	12/1996	Beaulieu .....	D6/366
1,960,022	5/1934	Melder .....	155/50
3,594,041	7/1971	Rye .....	297/445

*Primary Examiner*—Gary D. Watson  
*Attorney, Agent, or Firm*—Baker & Daniels

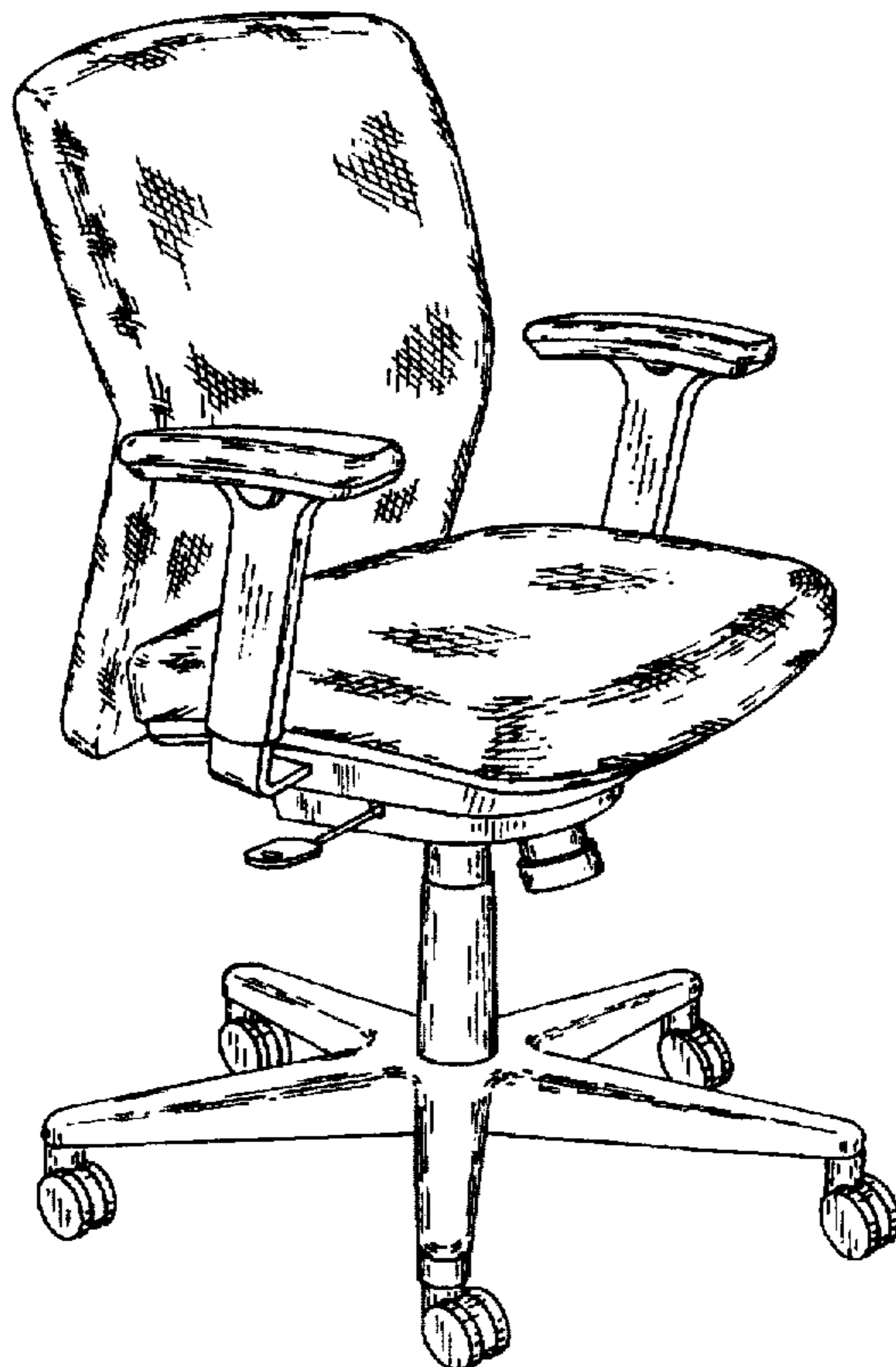
[57] **CLAIM**

The ornamental design for a chair, as shown and described.

**DESCRIPTION**

FIG. 1 is a left-front perspective view of the chair showing our new design;  
 FIG. 2 is a front view thereof;  
 FIG. 3 is a rear view thereof;  
 FIG. 4 is a right side view thereof;  
 FIG. 5 is a left side view thereof;  
 FIG. 6 is a top view thereof;  
 FIG. 7 is a bottom view thereof;  
 FIG. 8 is a left-front perspective view of a second embodiment of the chair, the sole difference being in a higher backrest; and,  
 FIG. 9 is a left-front perspective view of a third embodiment of the chair, the only differences being the extended pedestal and a footrest.  
 The fragmented cross-hatching on the seat and backrest is understood to represent fabric which would be continuous throughout the implied areas.

**1 Claim, 3 Drawing Sheets**



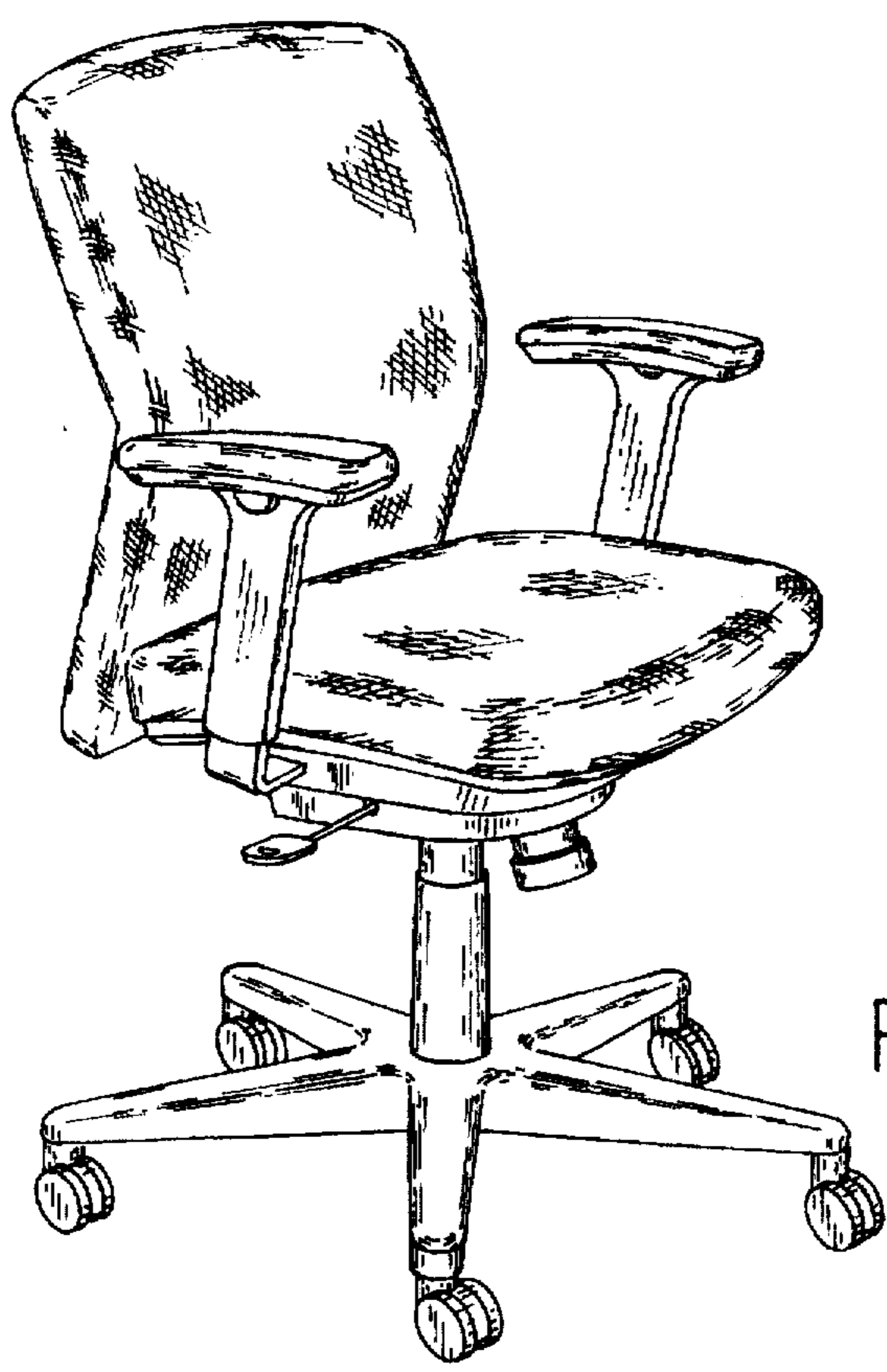


FIG. 1

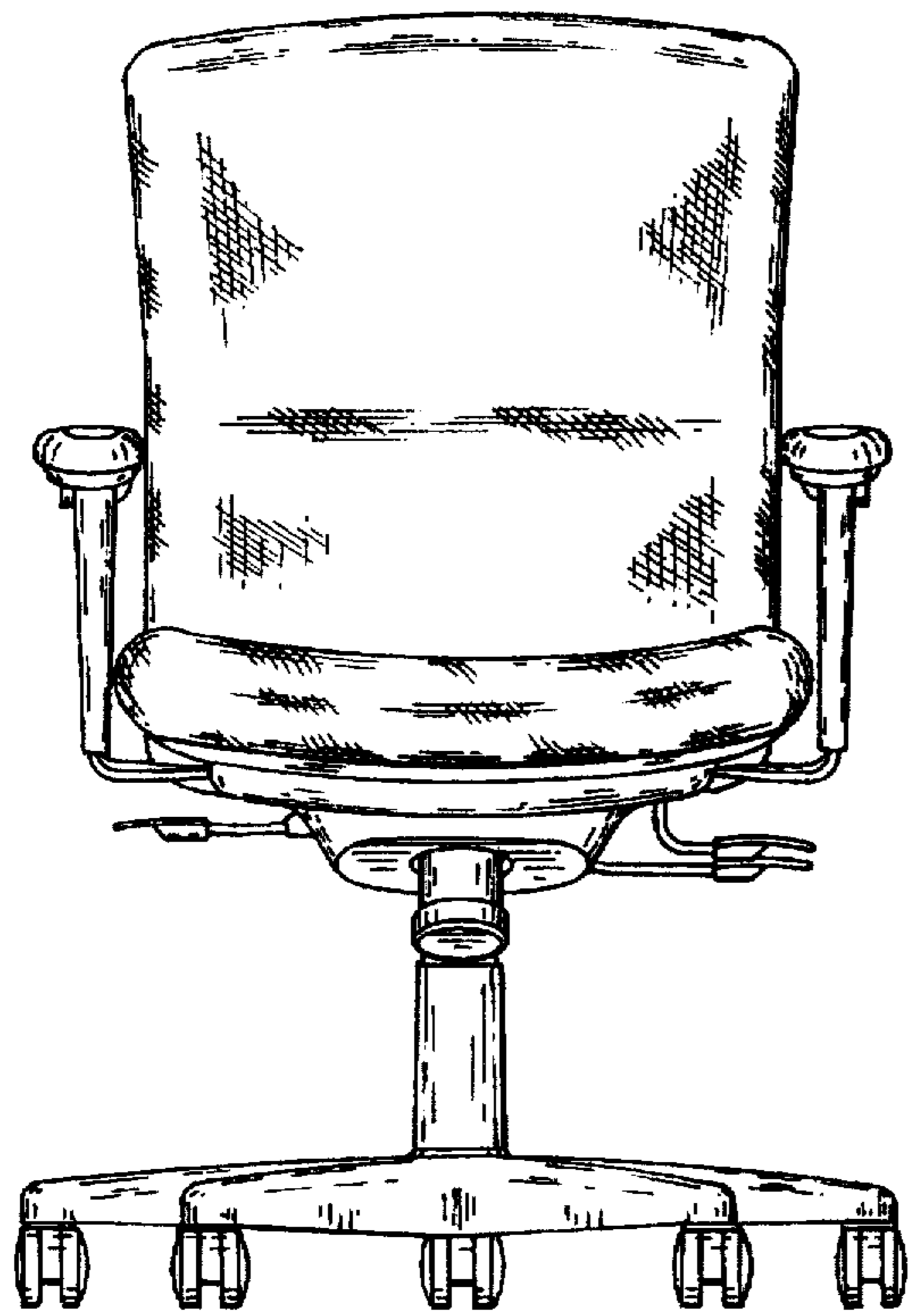


FIG. 2

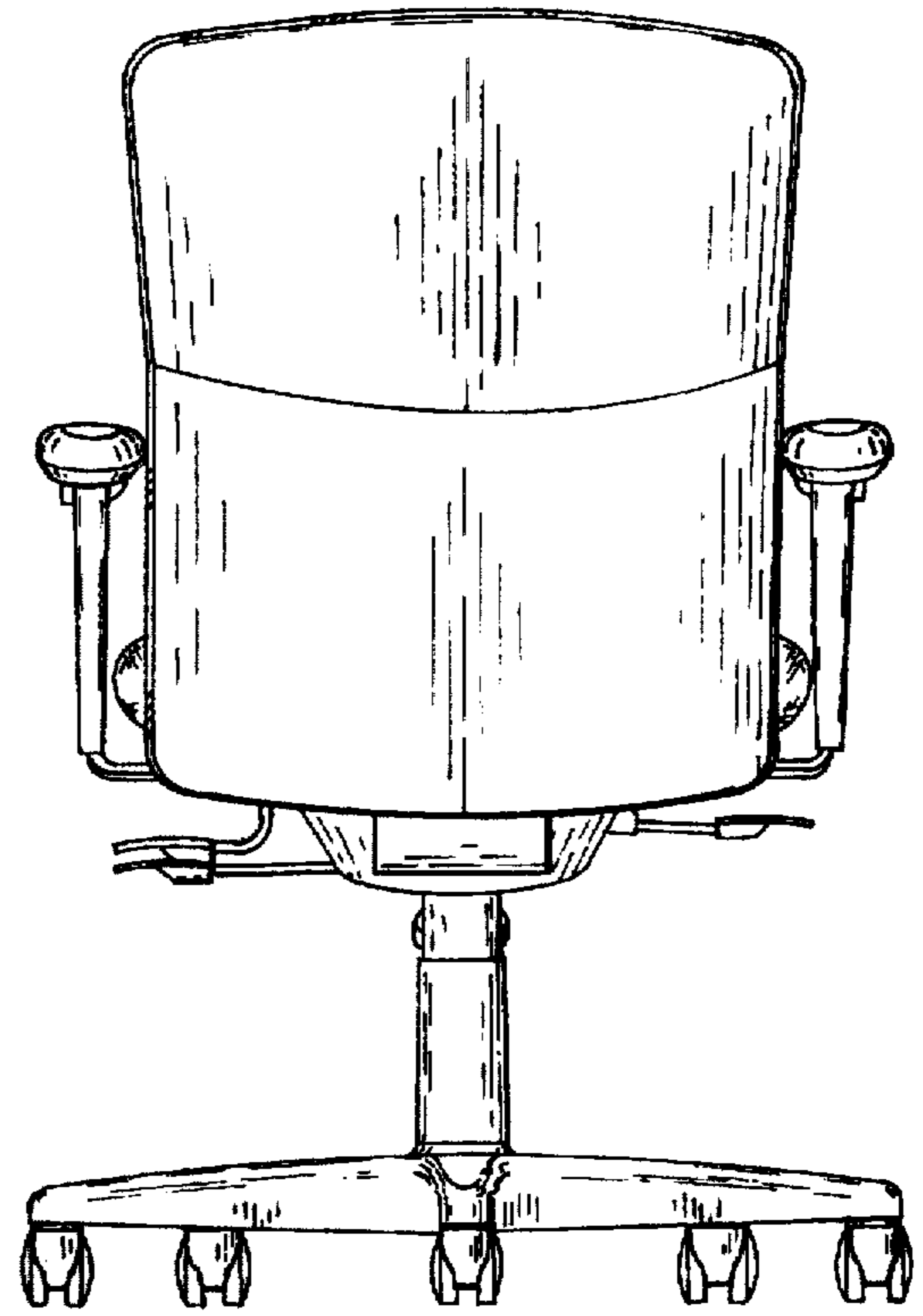


FIG. 3

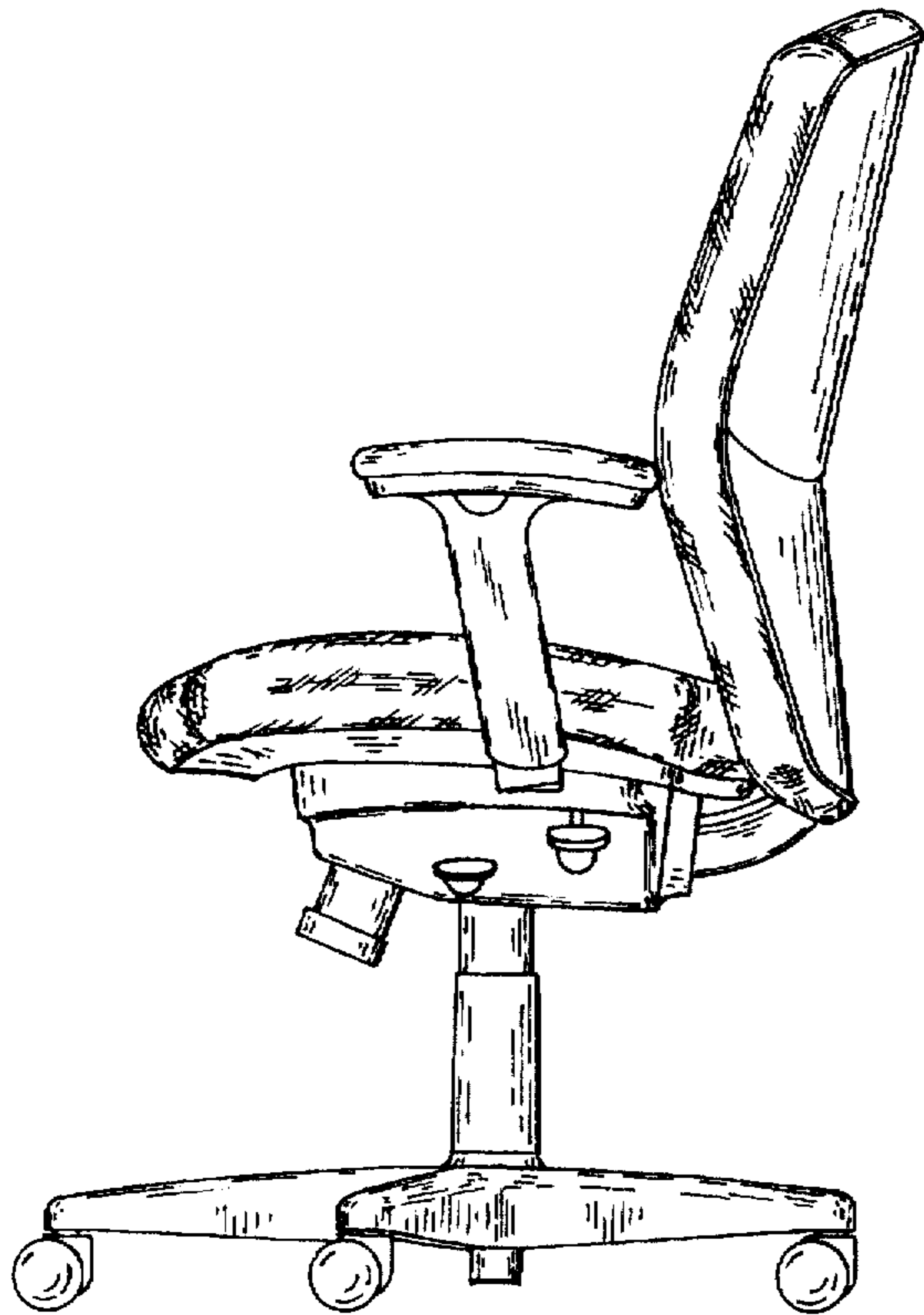


FIG. 4

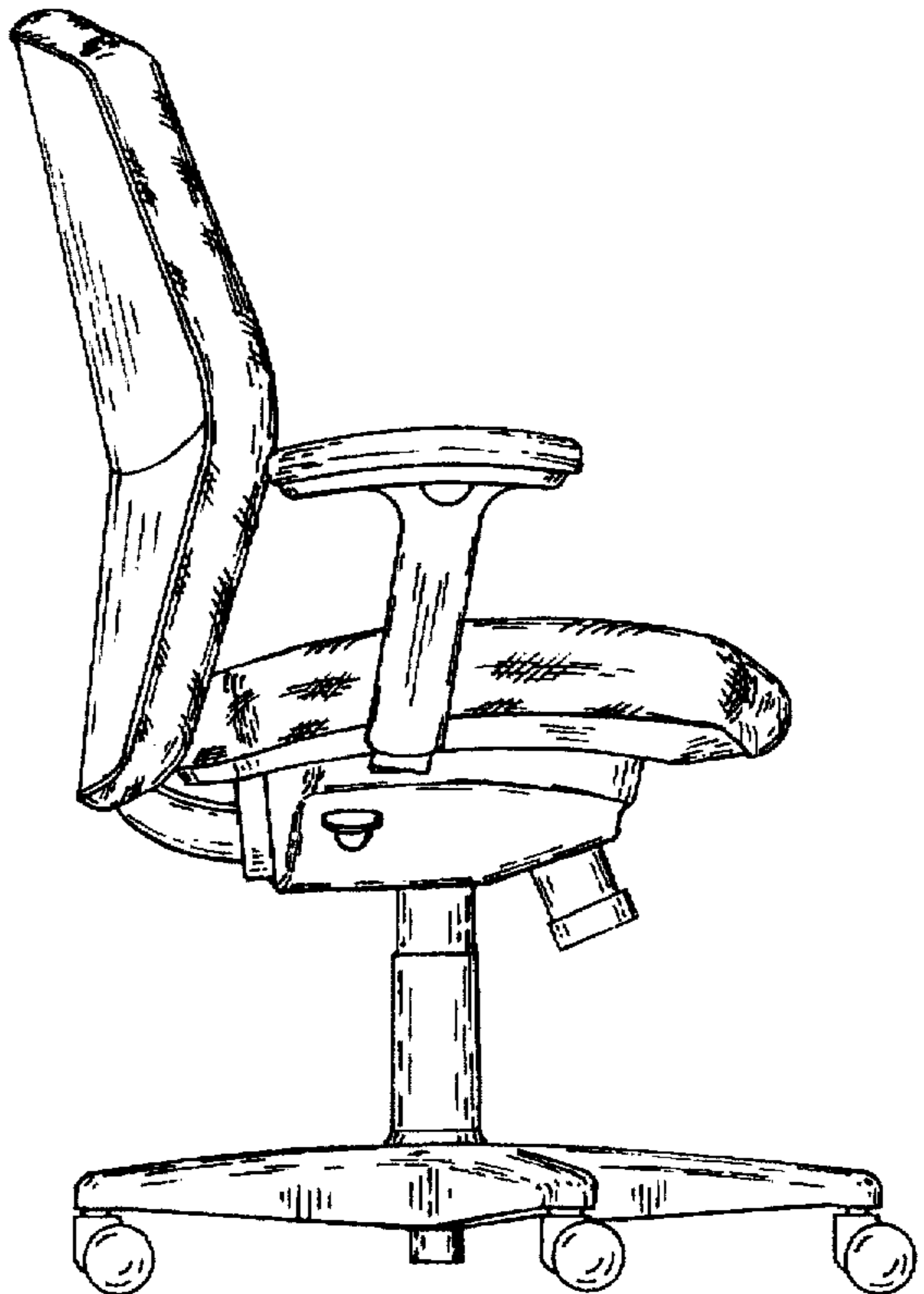


FIG. 5

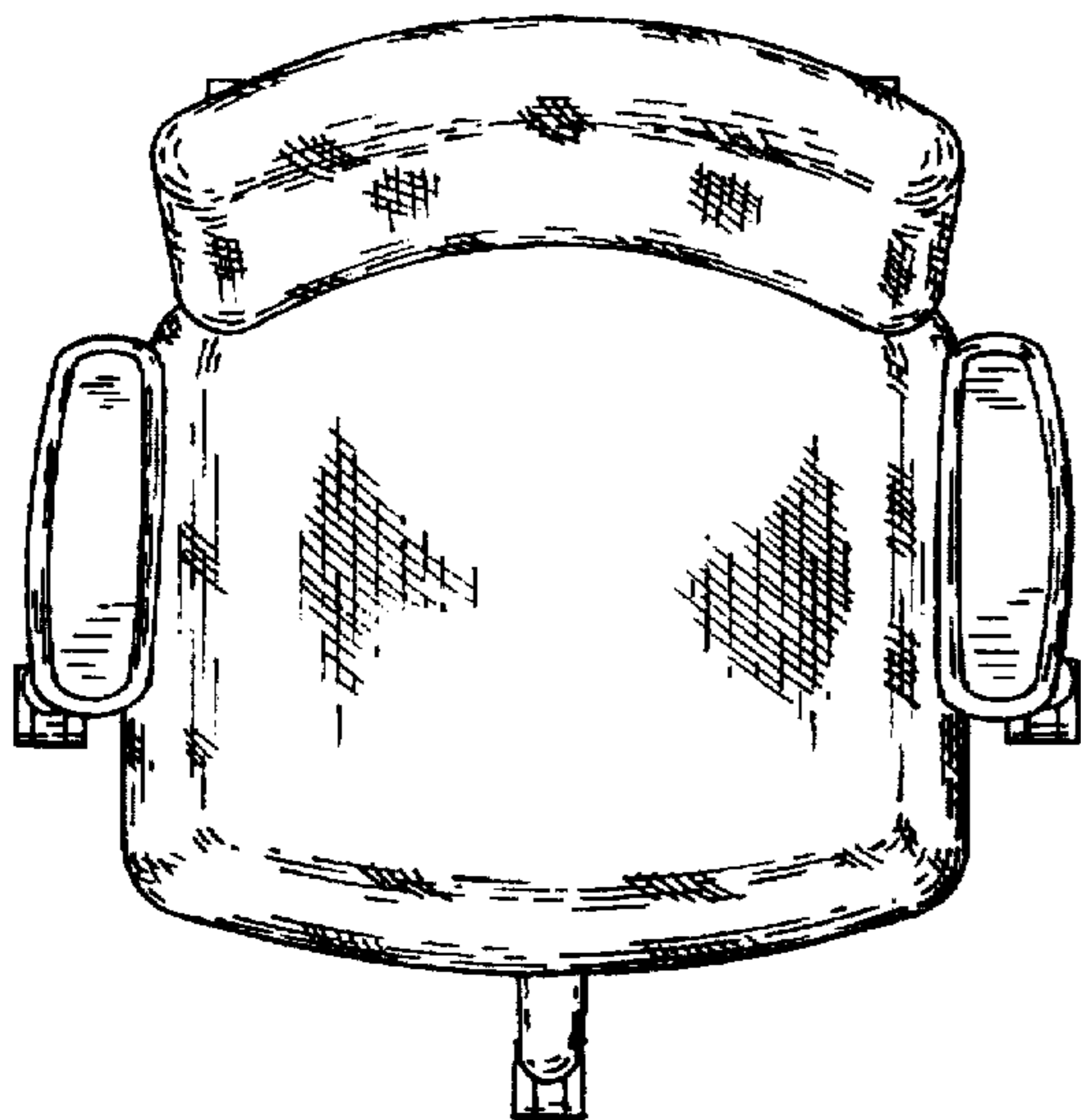


FIG. 6

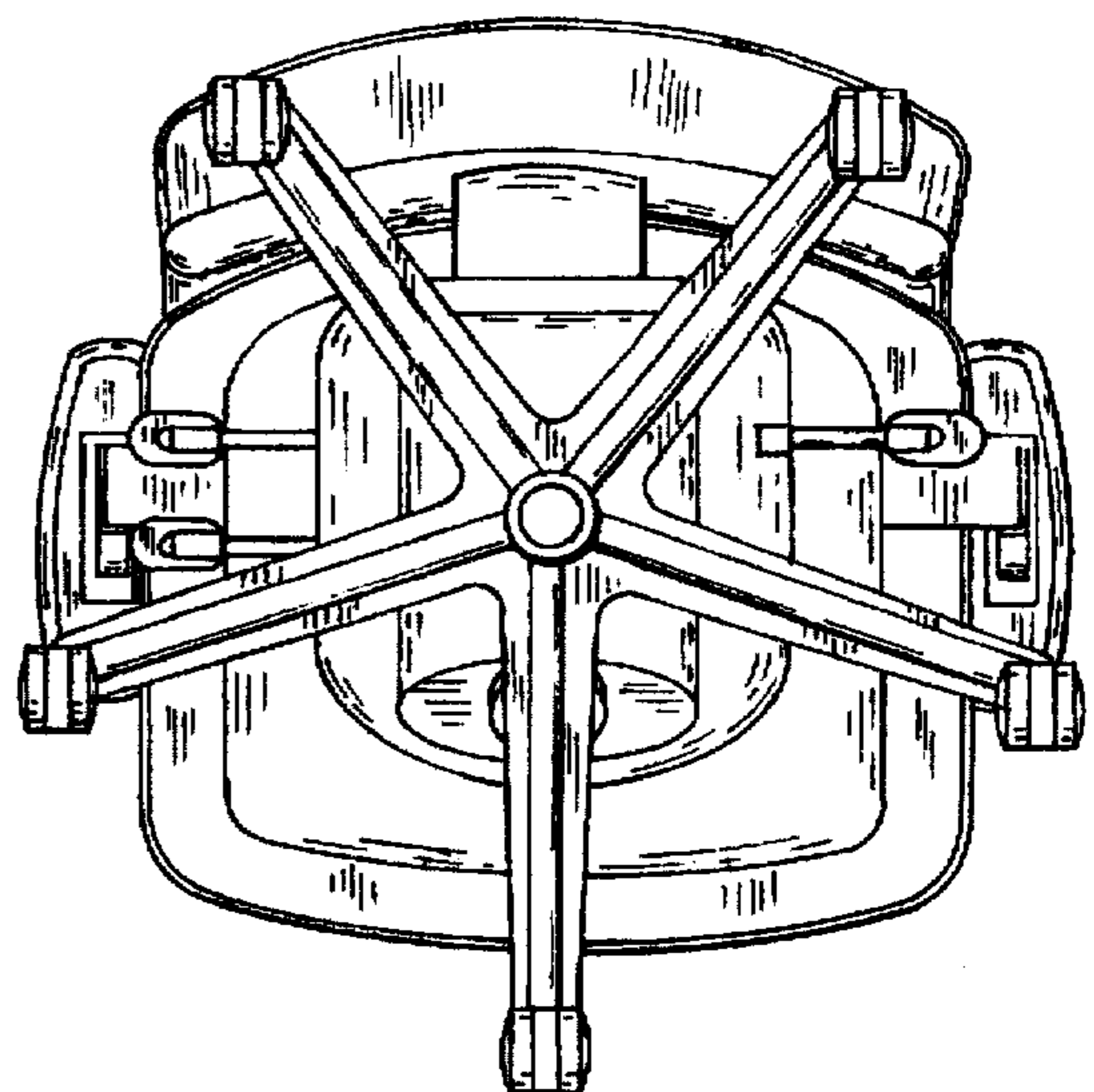


FIG. 7

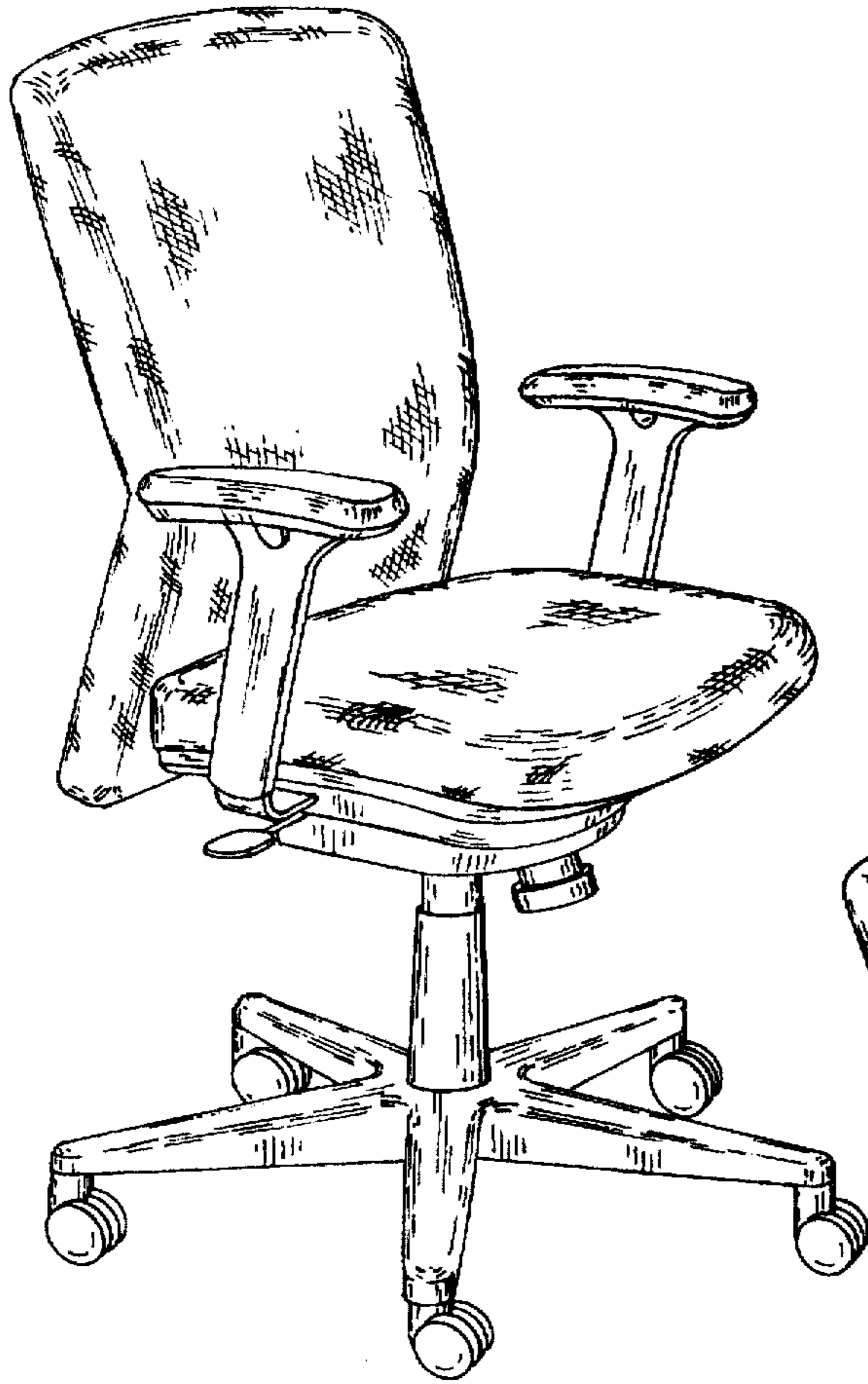


FIG. 8

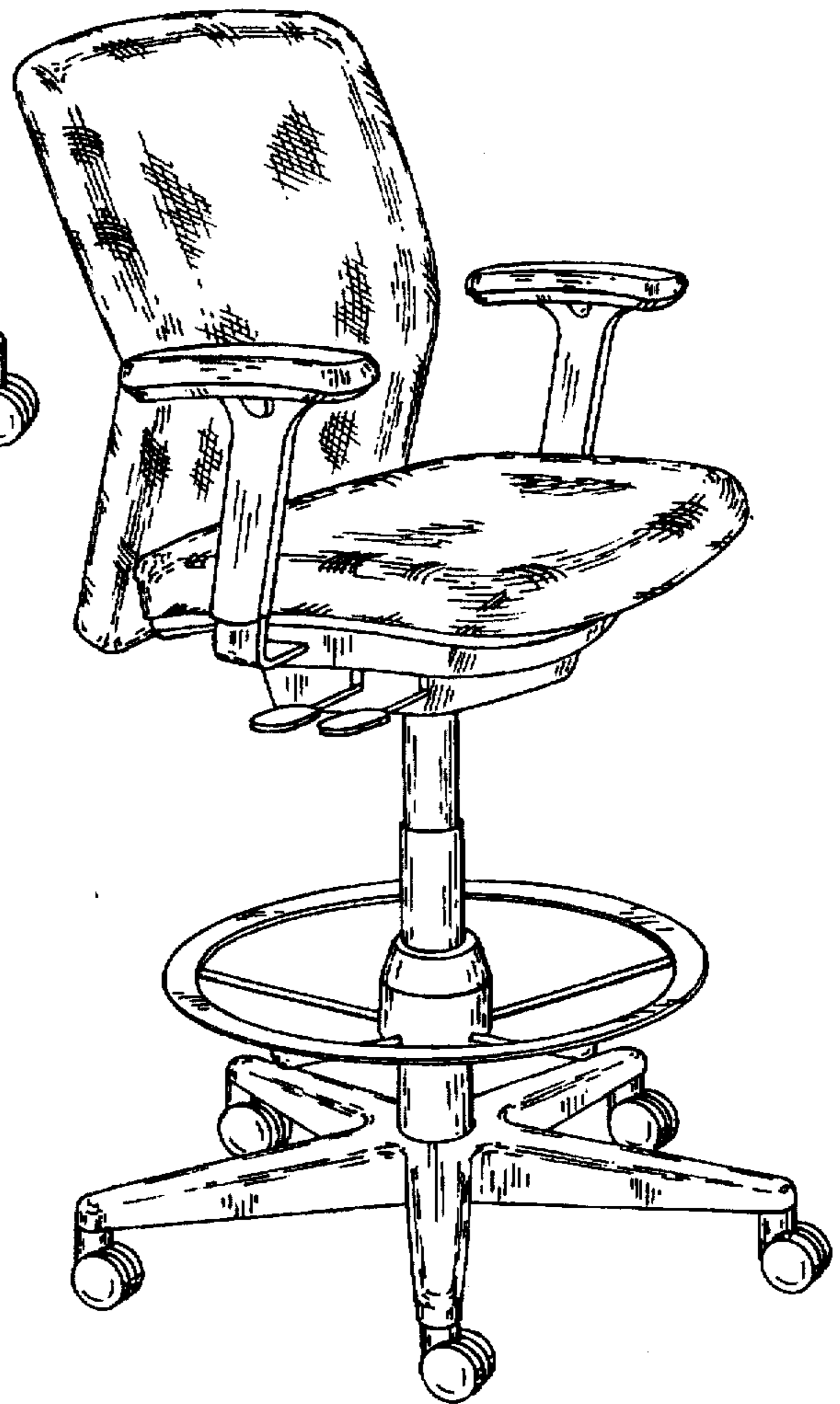


FIG. 9