

US00D390699S

United States Patent [19]
Goldenberg et al.

[11] **Patent Number: Des. 390,699**
[45] **Date of Patent: **Feb. 17, 1998**

[54] **COMMUNICATION PRODUCT HOLSTER**

D. 351,280 10/1994 Pennington et al. D3/218
D. 359,616 6/1995 Ishibashi et al. D3/218
D. 369,465 5/1996 Scheid et al. D3/218

[75] **Inventors: Michael P. Goldenberg, Delray;**
Michael J. Hartigan, Boca Raton, both
of Fla.

Primary Examiner—Doris V. Coles
Assistant Examiner—Catherine R. Oliver
Attorney, Agent, or Firm—James A. Lamb

[73] **Assignee: Motorola, Inc., Schaumburg, Ill.**

[**] **Term: 14 Years**

[57] **CLAIM**

The ornamental design for a communication product holster,
as shown and described.

[21] **Appl. No.: 64,182**

[22] **Filed: Dec. 23, 1996**

DESCRIPTION

[51] **LOC (6) Cl. 03-01**

FIG. 1 is a front view of the communication product holster
showing our new design;

[52] **U.S. Cl. D3/218**

FIG. 2 is a top plan view thereof;

[58] **Field of Search D3/218, 219, 215;**
D14/138, 250, 251, 253; 224/236, 240,
267, 268, 269, 904

FIG. 3 is a rear view thereof;

FIG. 4 is a right side view thereof;

FIG. 5 is a left side view thereof;

FIG. 6 is a bottom plan view thereof; and,

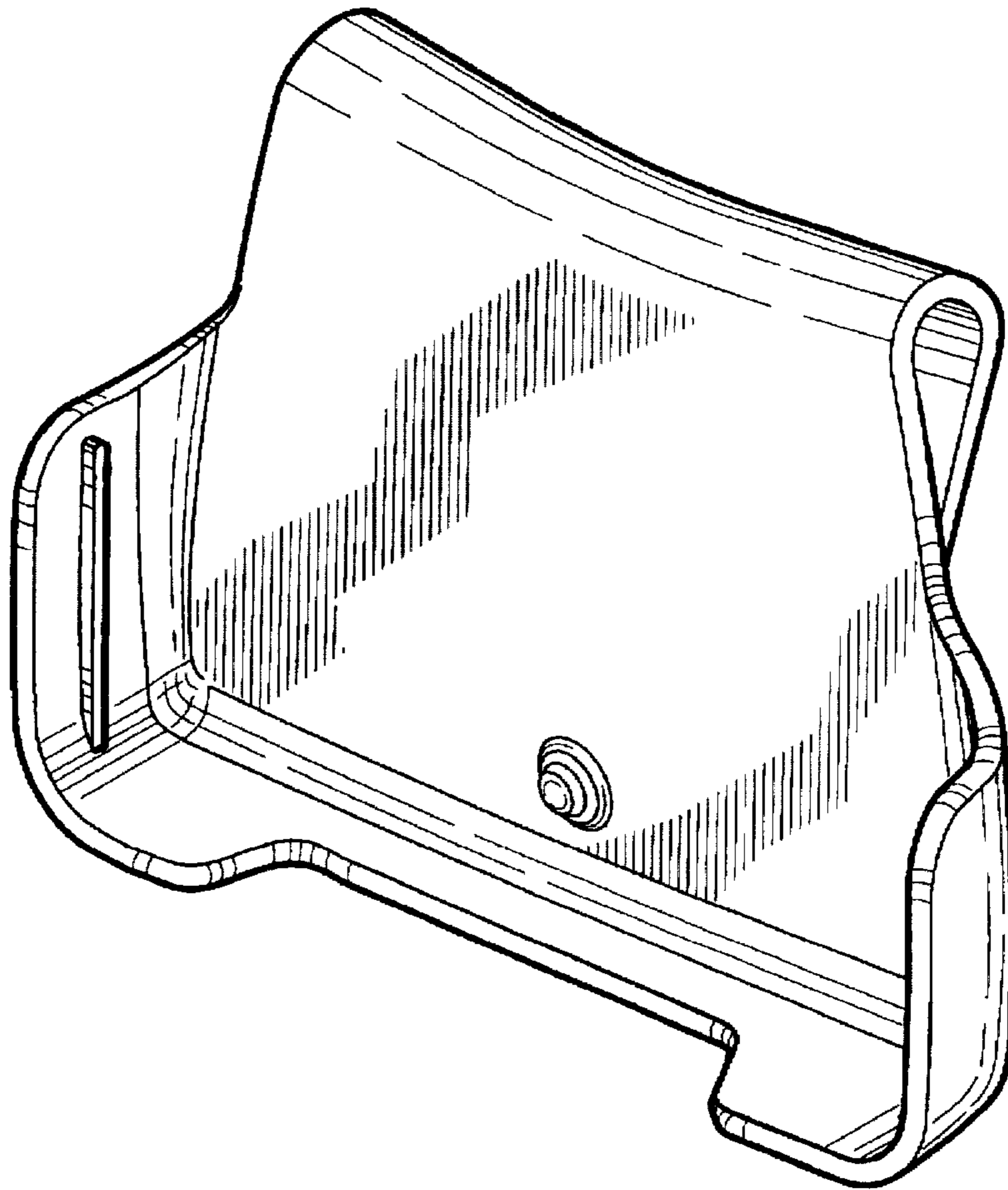
FIG. 7 is a top, front, and left side perspective view thereof.

[56] **References Cited**

U.S. PATENT DOCUMENTS

D. 348,981 7/1994 Dill D3/218

1 Claim, 3 Drawing Sheets



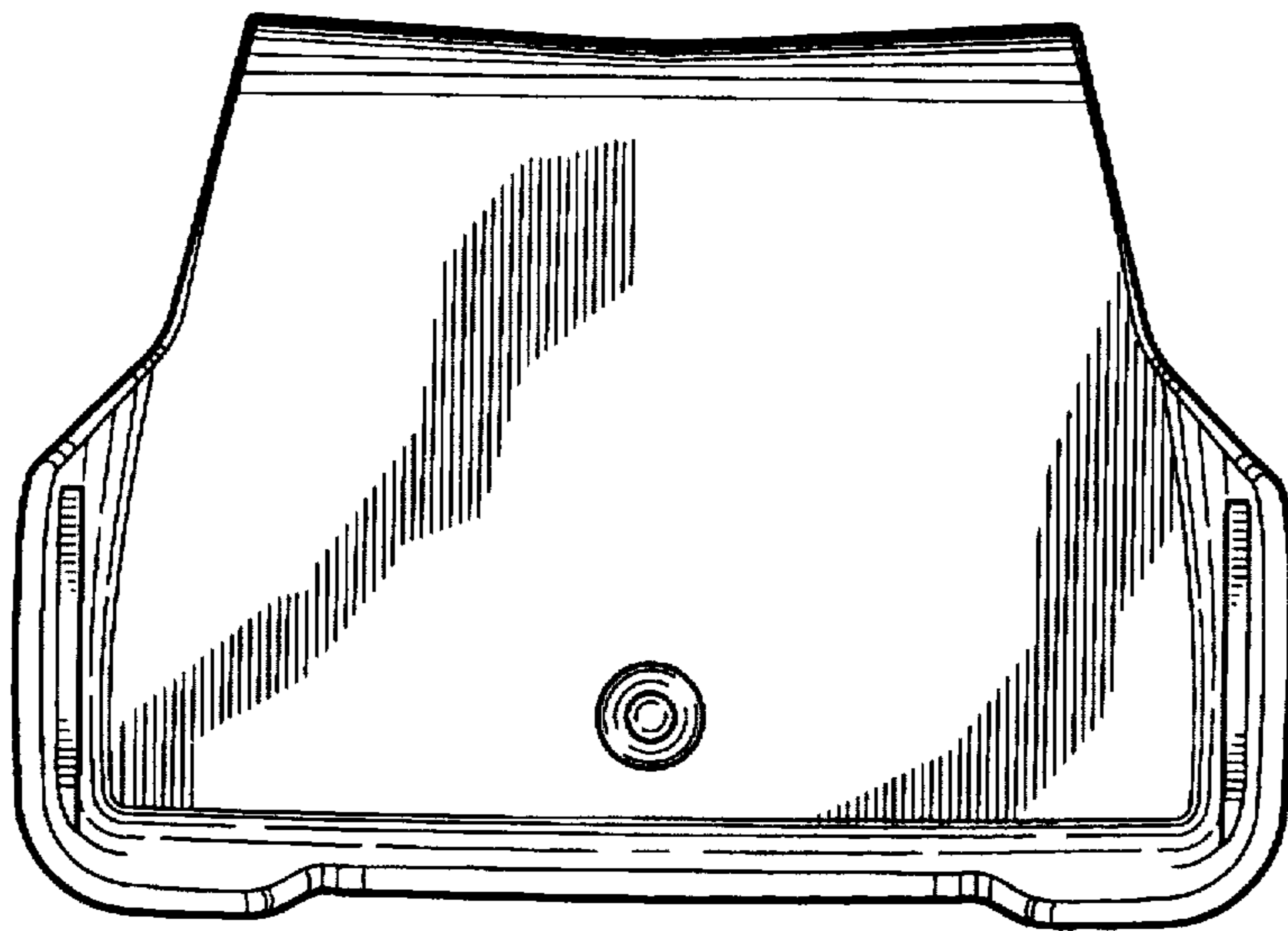


FIG. 1

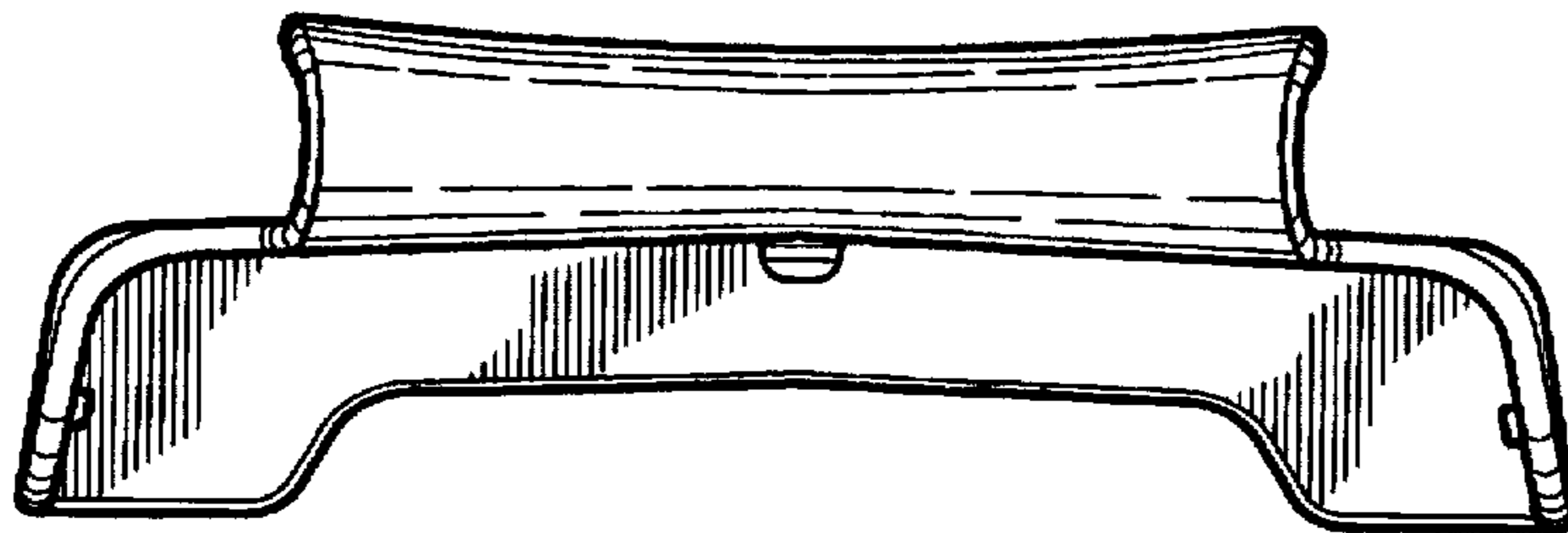


FIG. 2

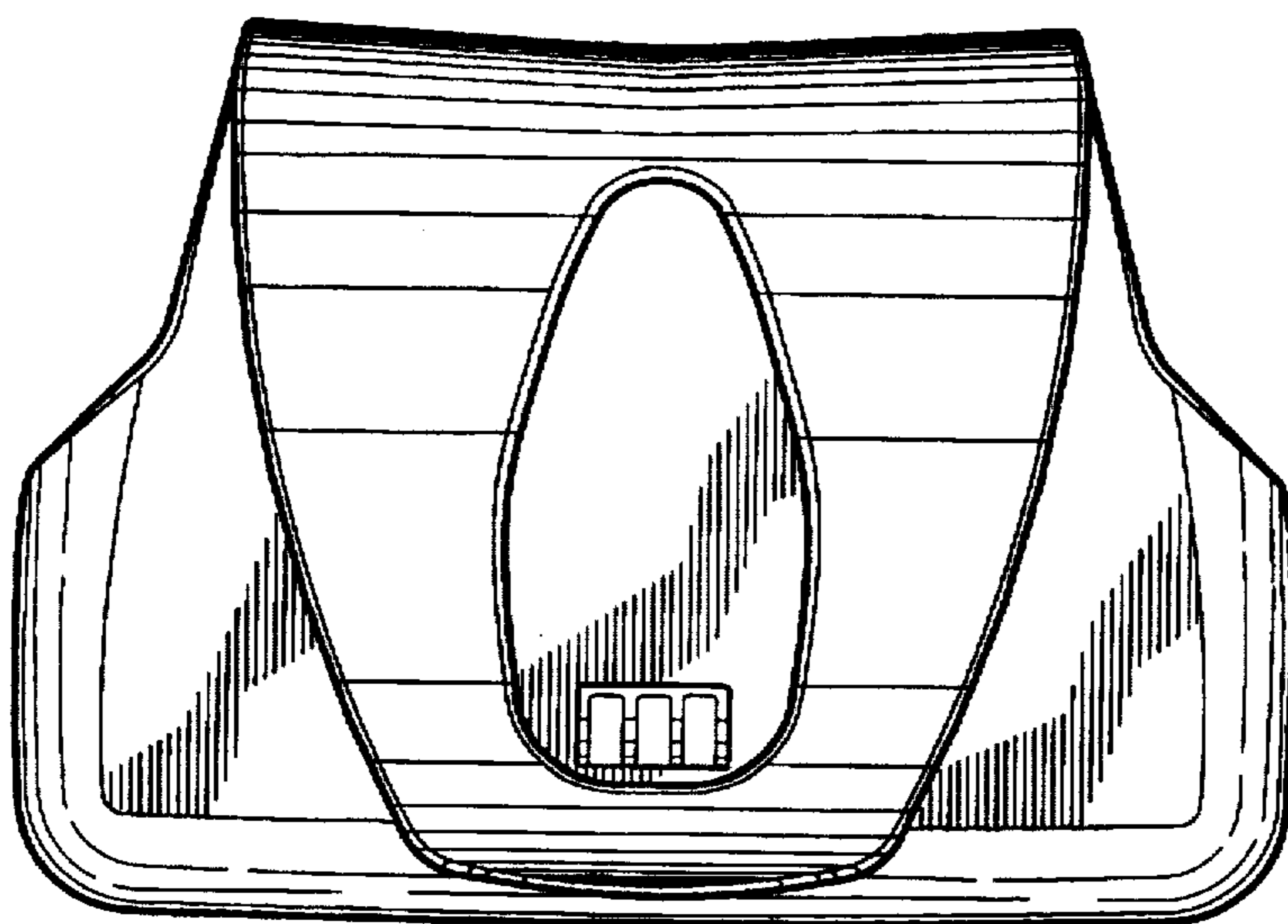


FIG. 3

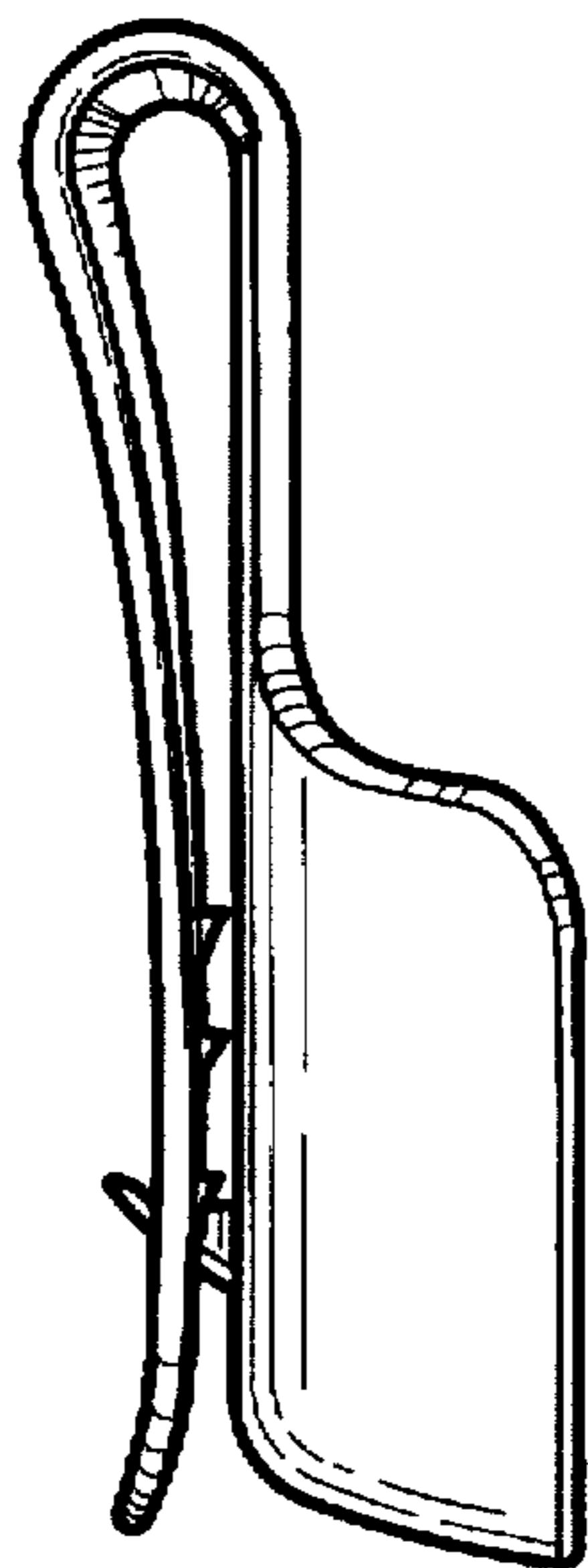


FIG. 4

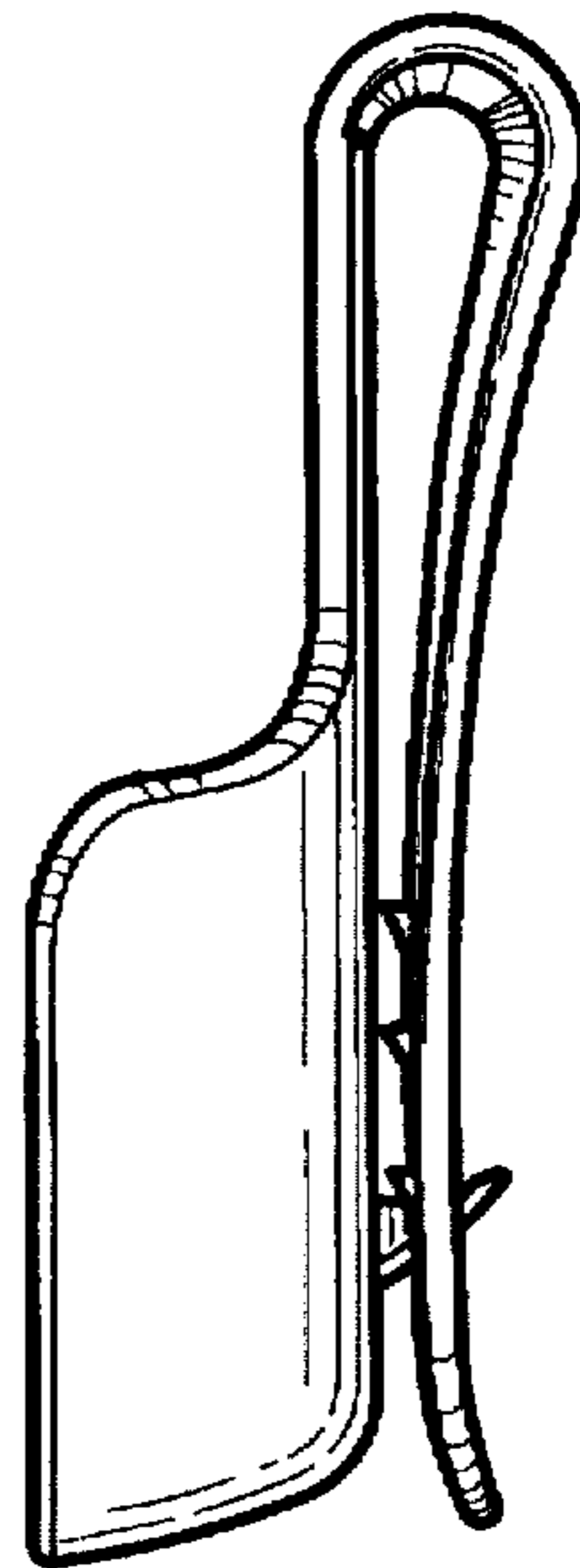


FIG. 5

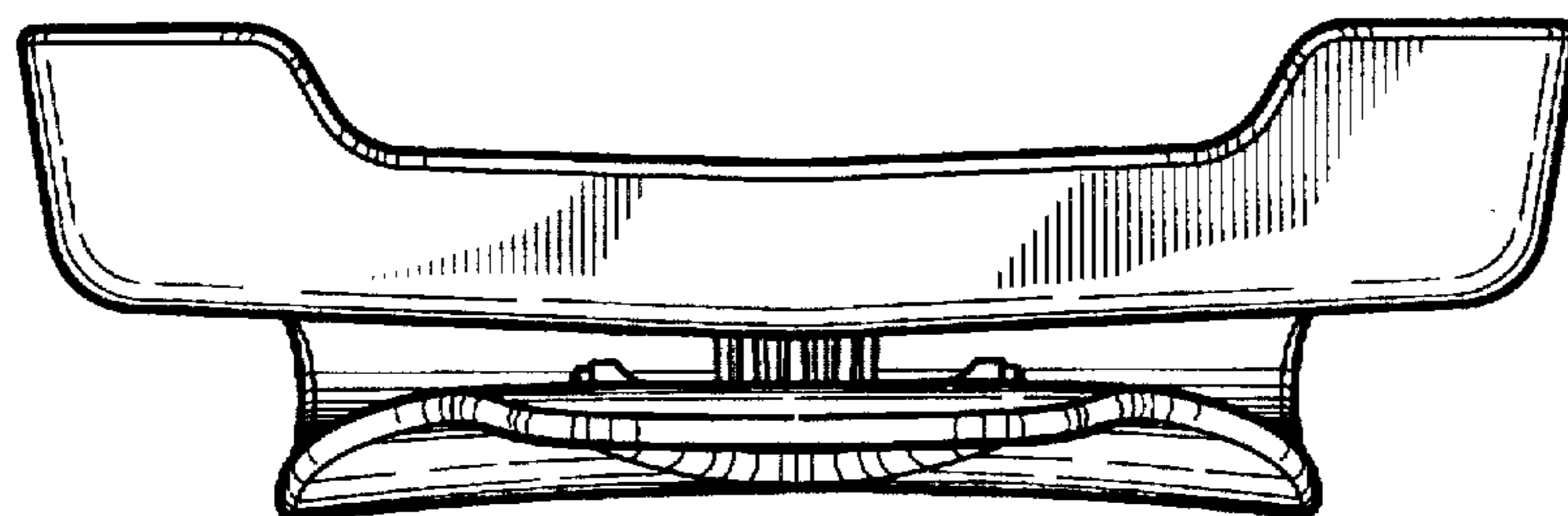


FIG. 6

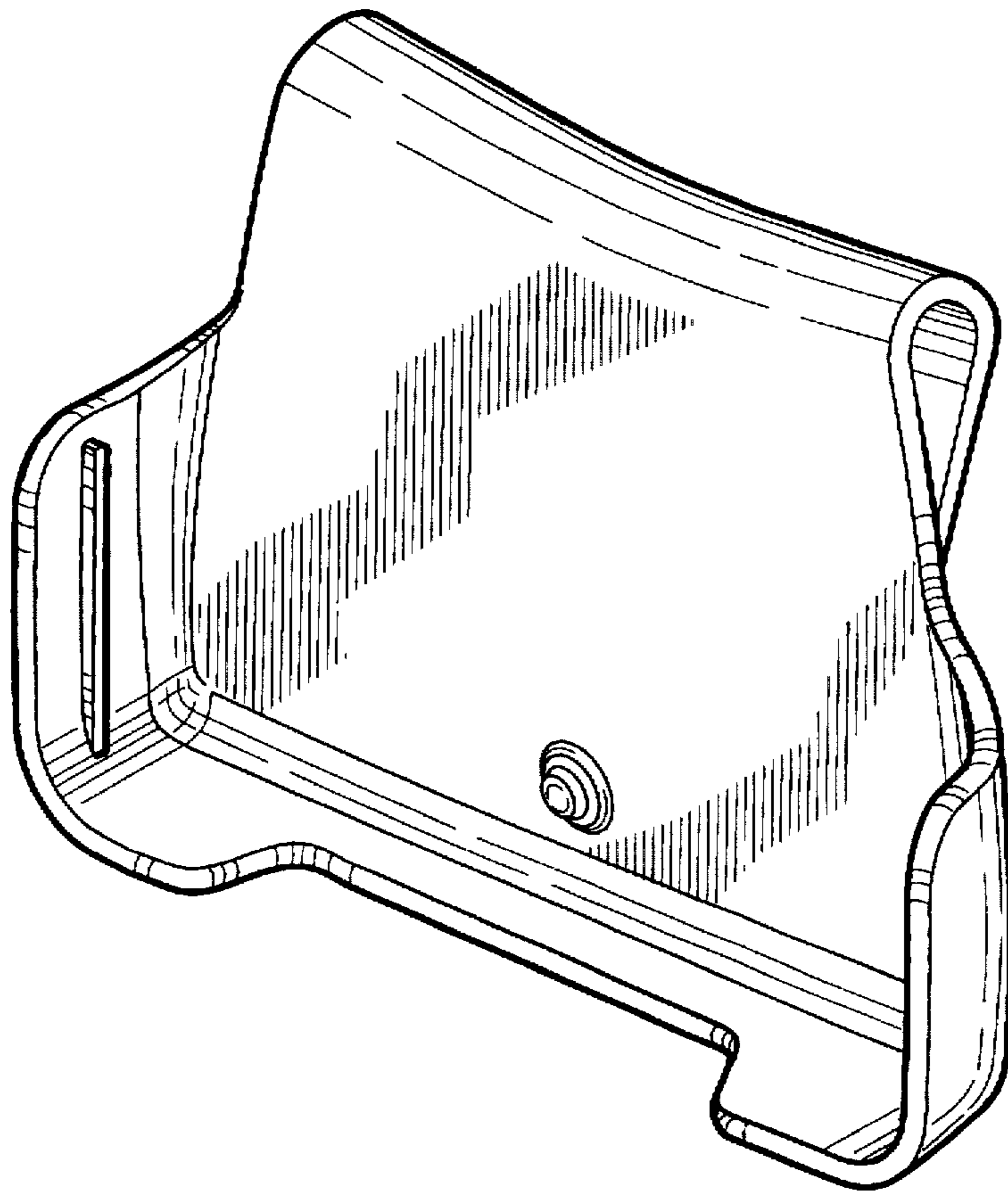


FIG. 7