



US00D390696S

United States Patent [19]

[11] Patent Number: **Des. 390,696**

Bauman

[45] Date of Patent: ****Feb. 17, 1998**

[54] **OPAGUE UMBRELLA WITH TRANSPARENT PANEL**

416,352 12/1889 Andrews 135/33.71
4,327,520 5/1982 Saxby et al. D3/5 X

[76] Inventor: **Russell H. Bauman**, 12047 Eddleston Dr., Northridge, Calif. 91326

Primary Examiner—Doris V. Coles
Assistant Examiner—Catherine R. Oliver
Attorney, Agent, or Firm—Jack C. Munro

[**] Term: **14 Years**

[57] **CLAIM**

[21] Appl. No.: **64,924**

The ornamental design for opaque umbrella with transparent panel, as shown and described.

[22] Filed: **Jan. 14, 1997**

DESCRIPTION

[51] LOC (6) Cl. **03-03**

[52] U.S. Cl. **D3/5**

[58] Field of Search D3/5, 6, 14, 17;
135/15.1, 20.2, 20.1, 33.2, 33.7, 33.71

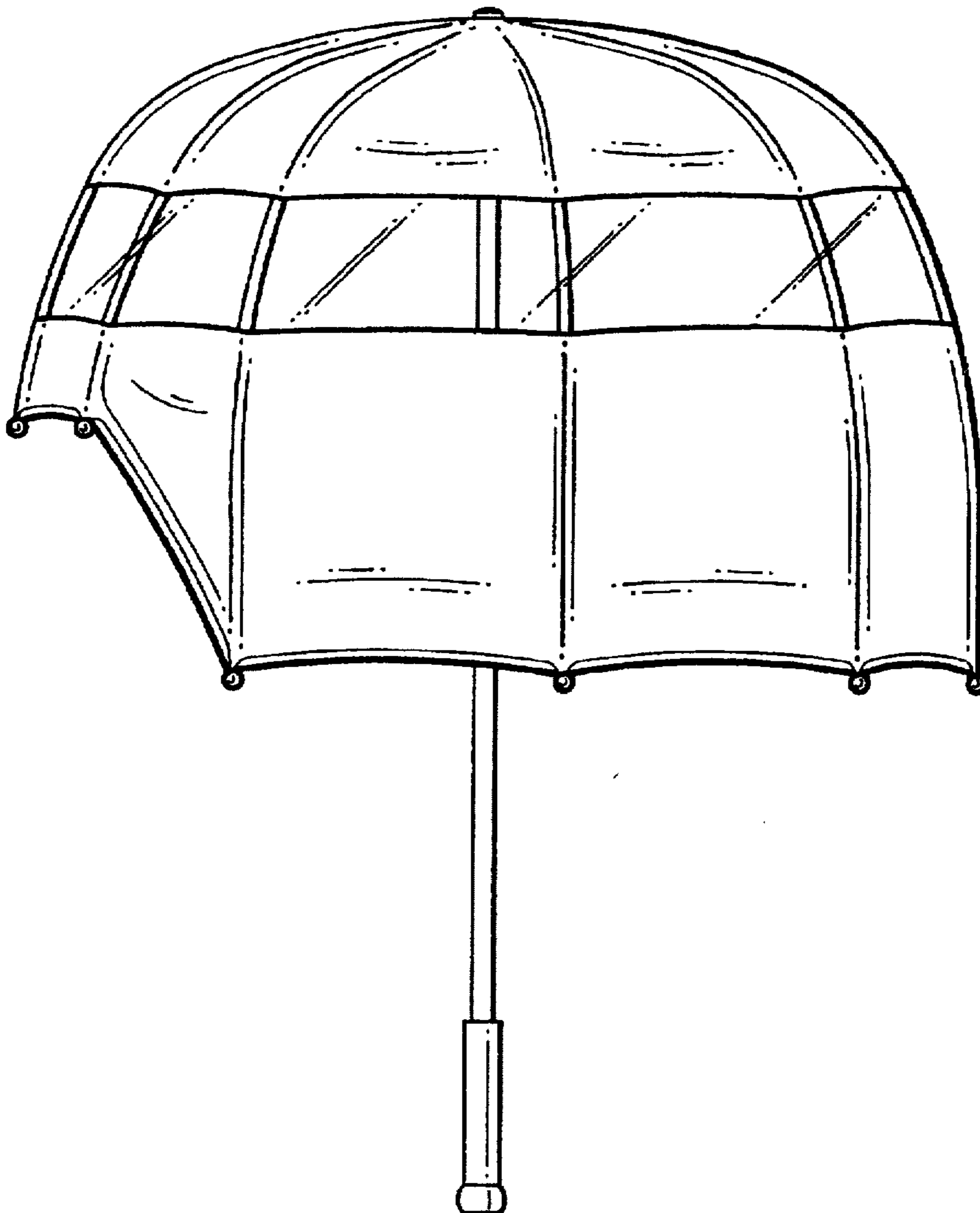
FIG. 1 is a front elevational view of the opaque umbrella with transparent panel showing my new design;
FIG. 2 is a right side elevational view thereof;
FIG. 3 is a rear elevational view thereof;
FIG. 4 is a left side elevational view thereof;
FIG. 5 is a top plan view thereof; and,
FIG. 6 is a bottom plan view thereof.

[56] **References Cited**

U.S. PATENT DOCUMENTS

- D. 221,713 8/1971 Kates D3/5
- D. 359,614 6/1995 Bauman D3/6
- D. 379,116 5/1997 Selberg D3/6

1 Claim, 2 Drawing Sheets



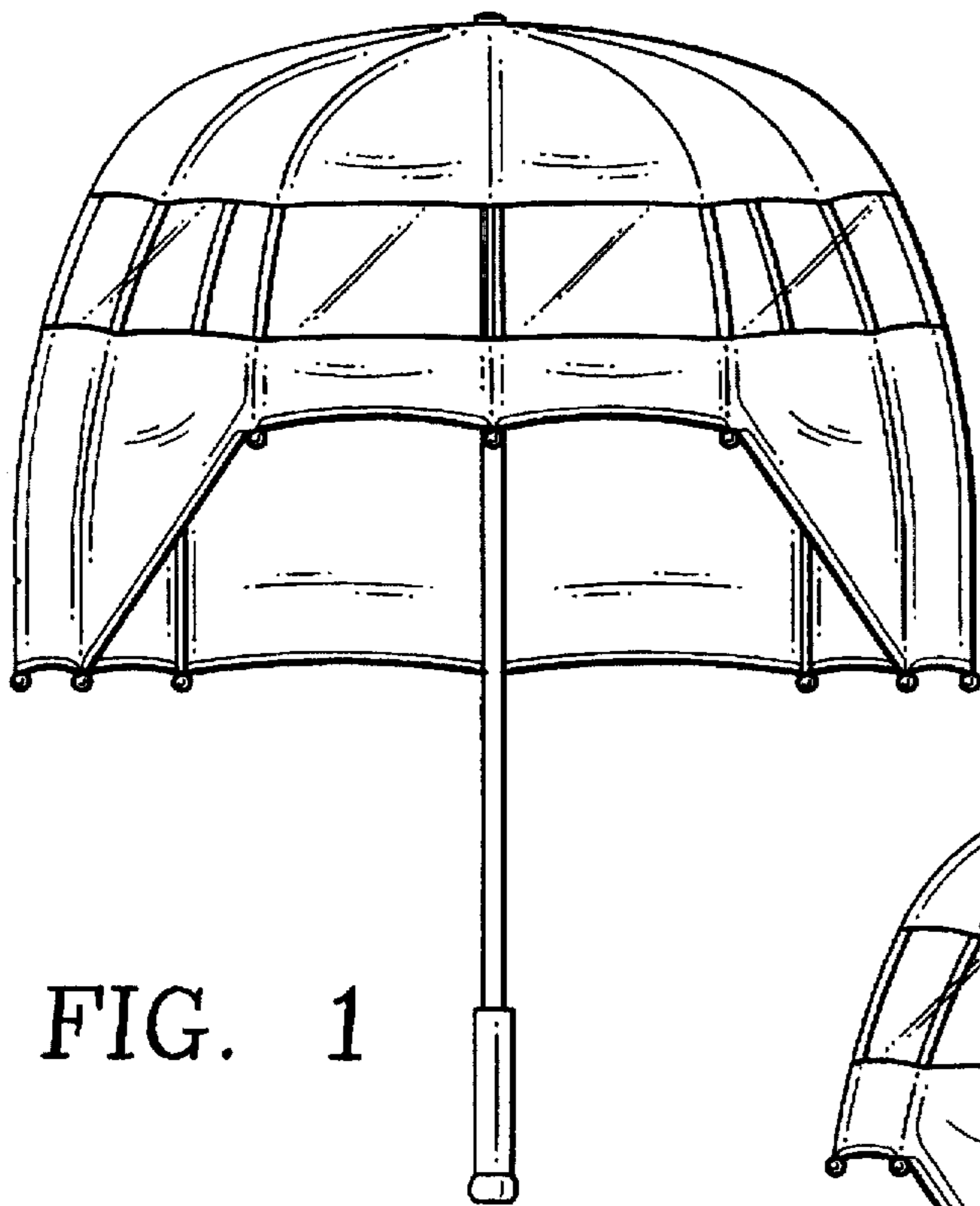


FIG. 1

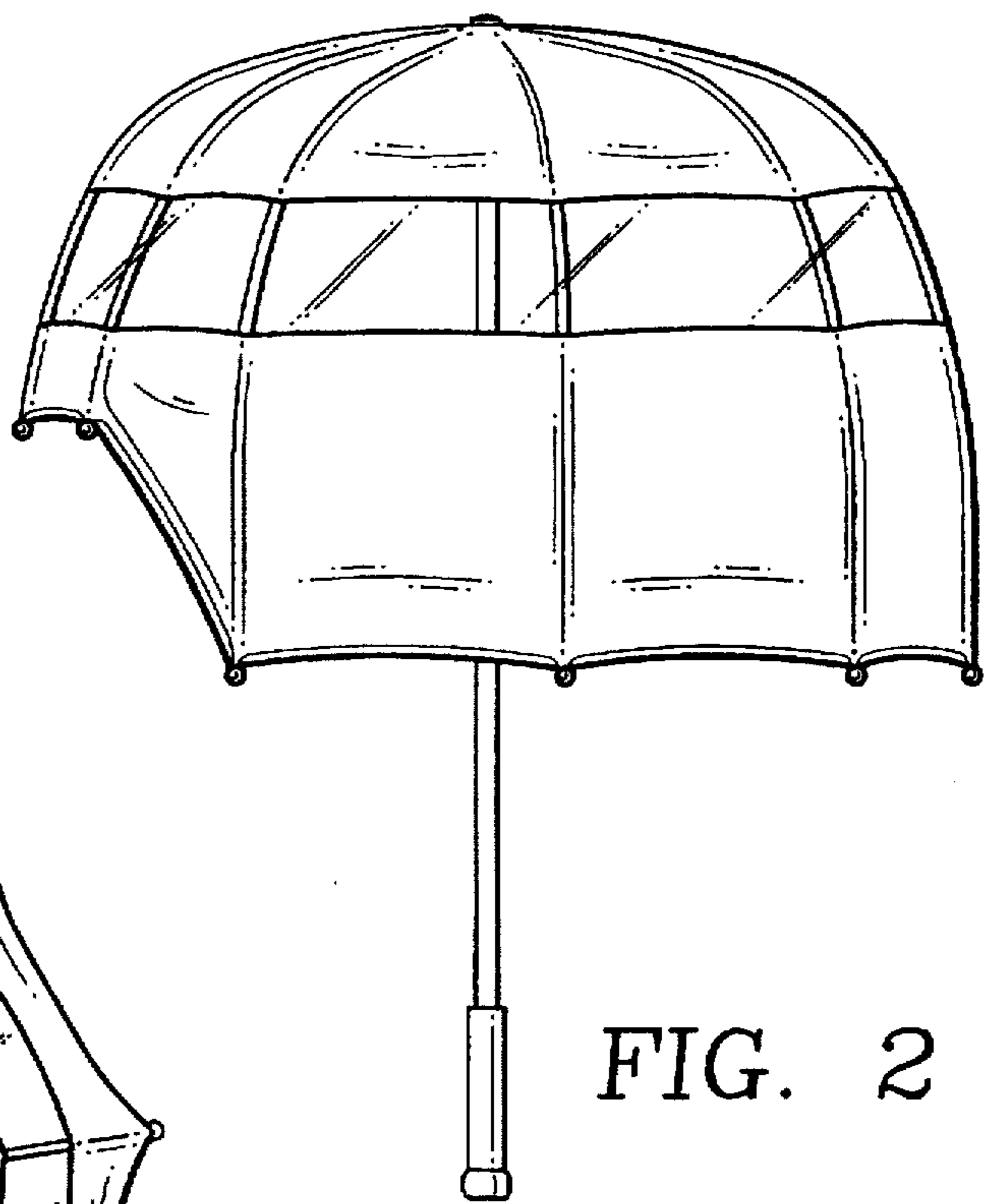


FIG. 2

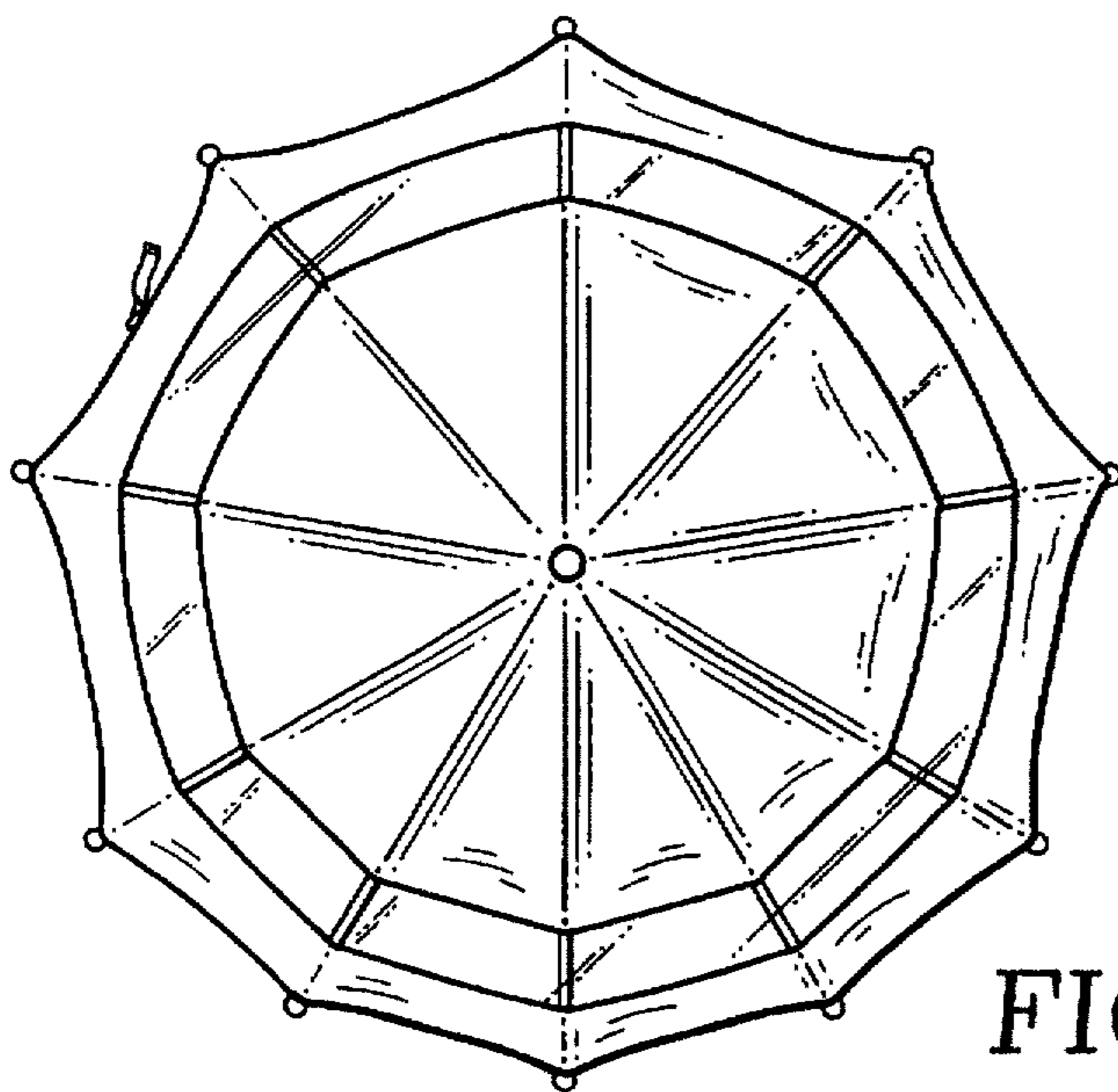


FIG. 5

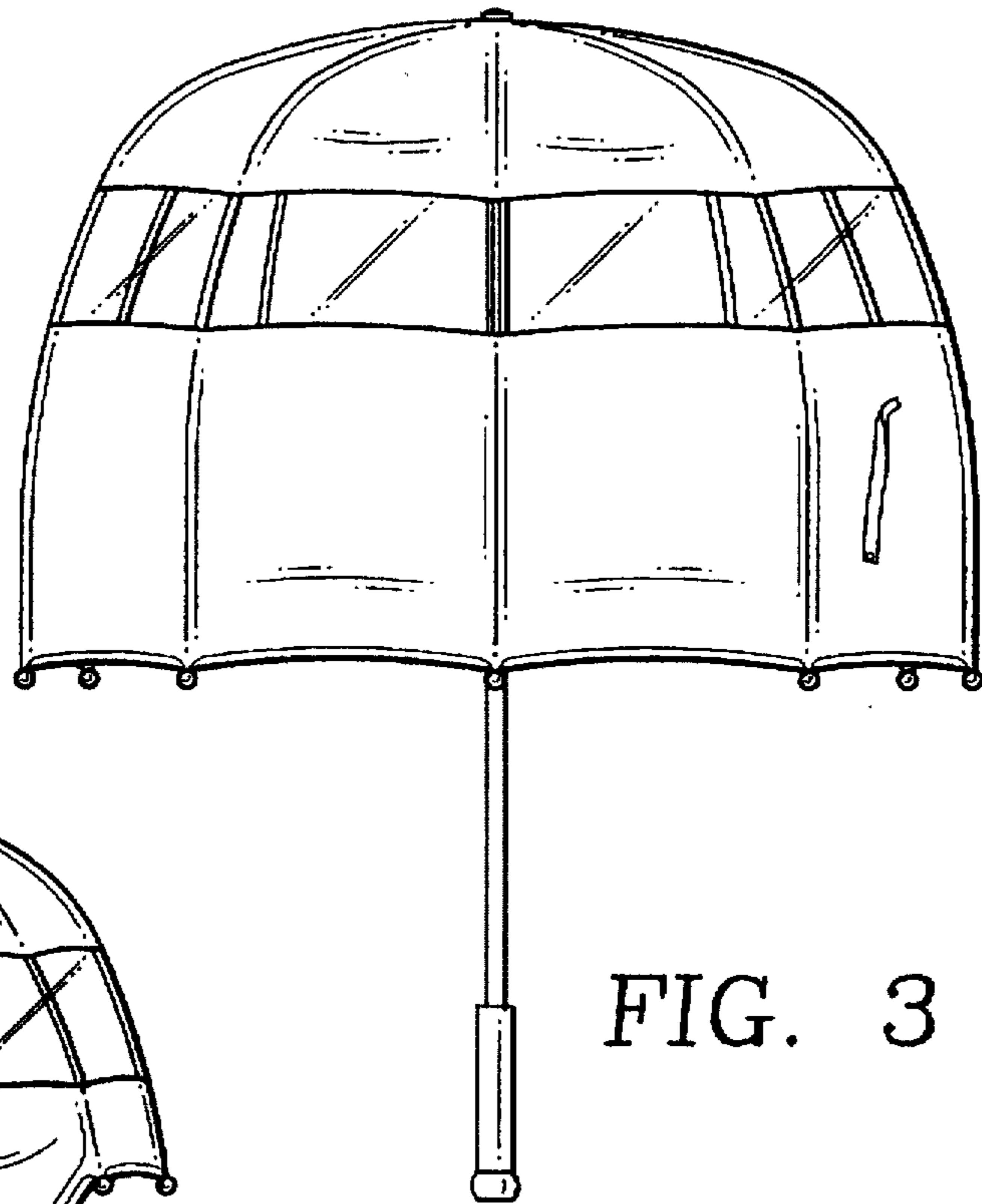


FIG. 3

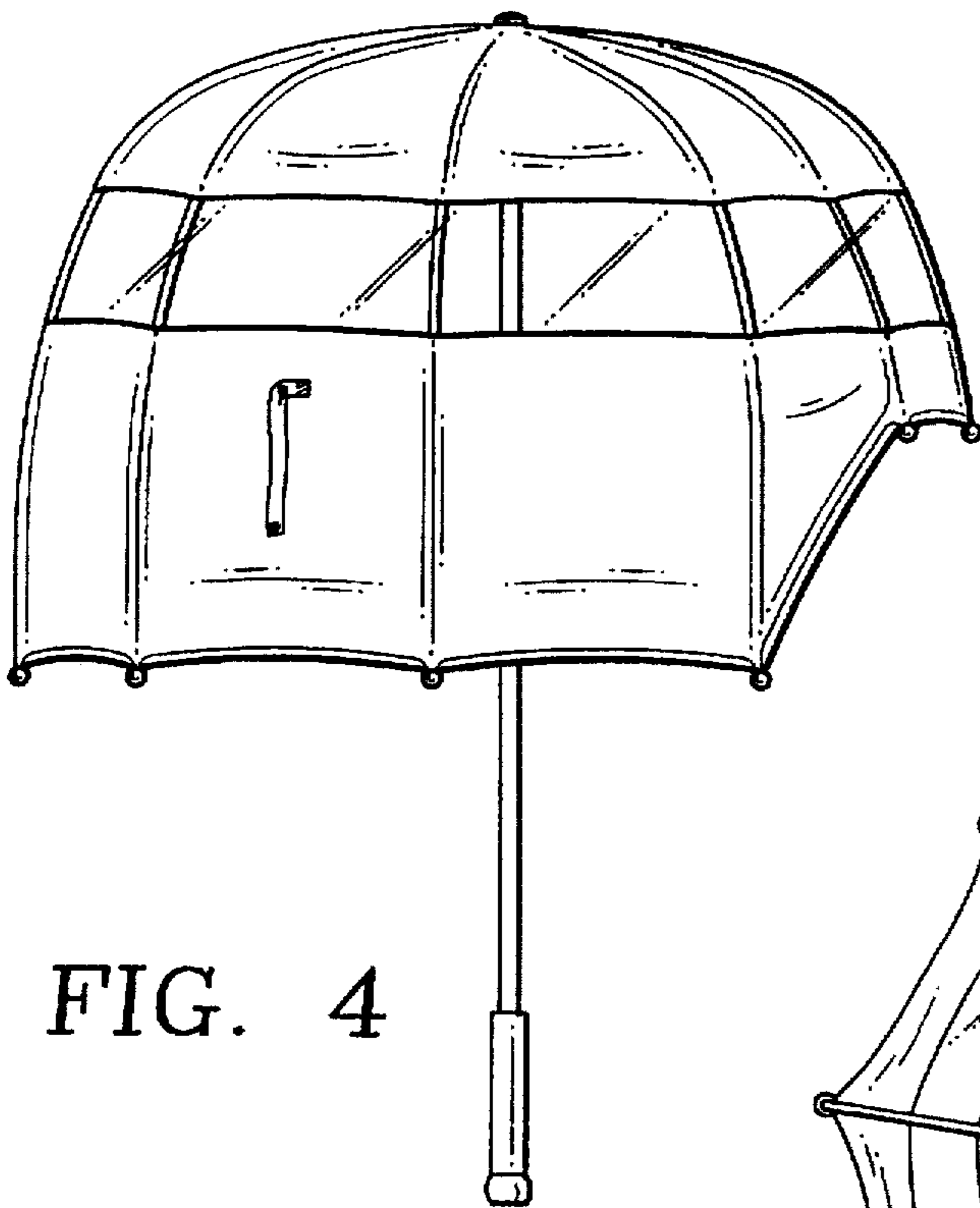


FIG. 4

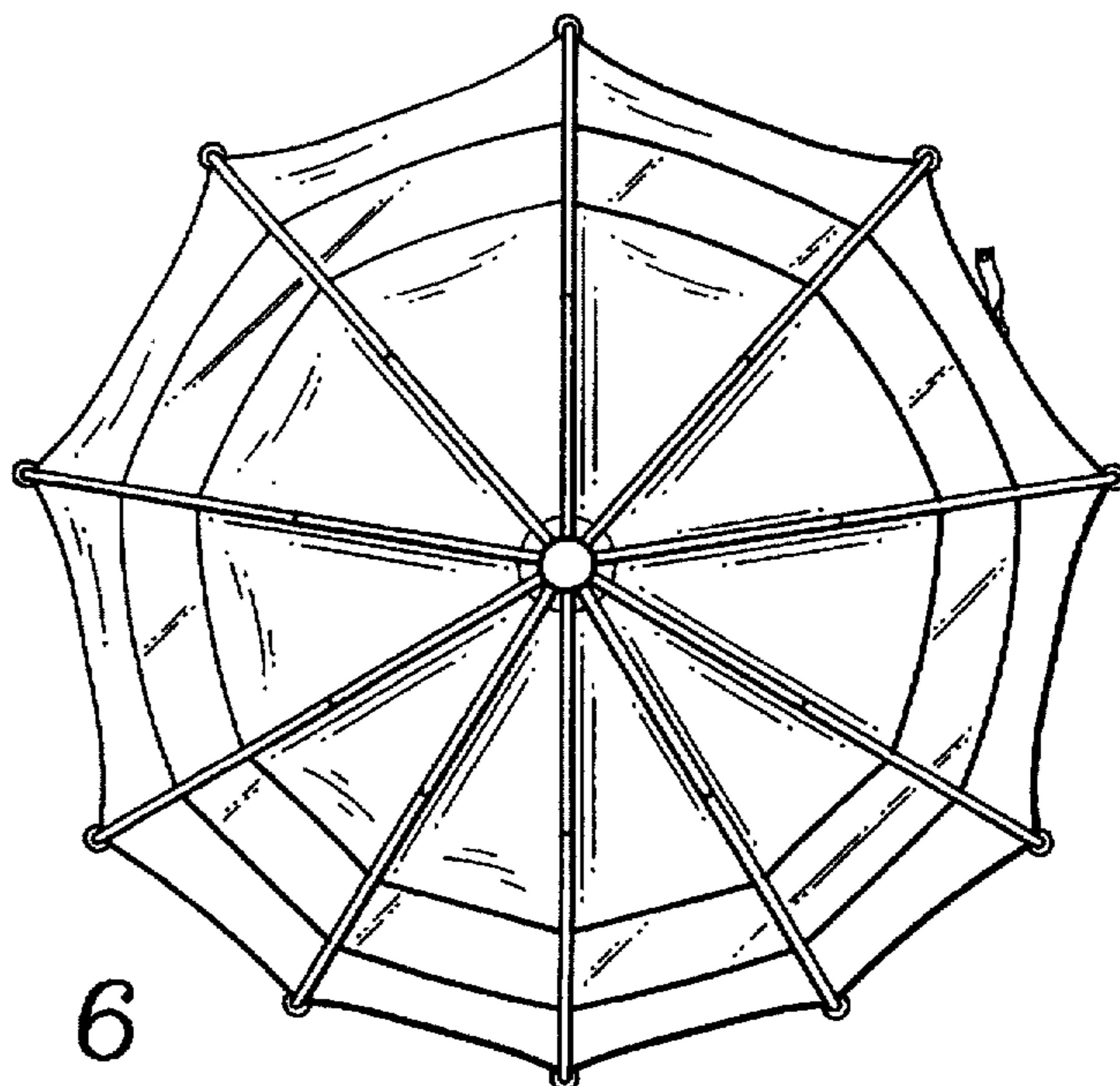


FIG. 6