



US00D390687S

United States Patent [19]
Kazel

[11] **Patent Number: Des. 390,687**
[45] **Date of Patent: **Feb. 17, 1998**

[54] **HAT WITH CENTER OPENING**
[76] **Inventor: Daniel Joseph Kazel, 428 5th St.,
Manhattan Beach, Calif. 90266**
[**] **Term: 14 Years**
[21] **Appl. No.: 59,458**
[22] **Filed: Sep. 11, 1996**
[51] **LOC (6) Cl. 02-03**
[52] **U.S. Cl. D2/876**
[58] **Field of Search D2/865, 868, 869,
D2/871, 872, 873, 875, 876, 882, 886,
893, 894; 2/171, 181, 195.1, 12**

4,999,852 3/1991 Murray .
5,170,509 12/1992 Leopold .
5,321,854 6/1994 Kronenberger .
5,325,540 7/1994 Kronenberger .
5,493,735 2/1996 Rice .
5,509,145 4/1996 Stevenson et al. .
5,511,249 4/1996 Higgins .
5,561,864 10/1996 Demars D2/872 X

Primary Examiner—Paula A. Mortimer

[57] **CLAIM**

The ornamental design for a hat with center opening, as shown.

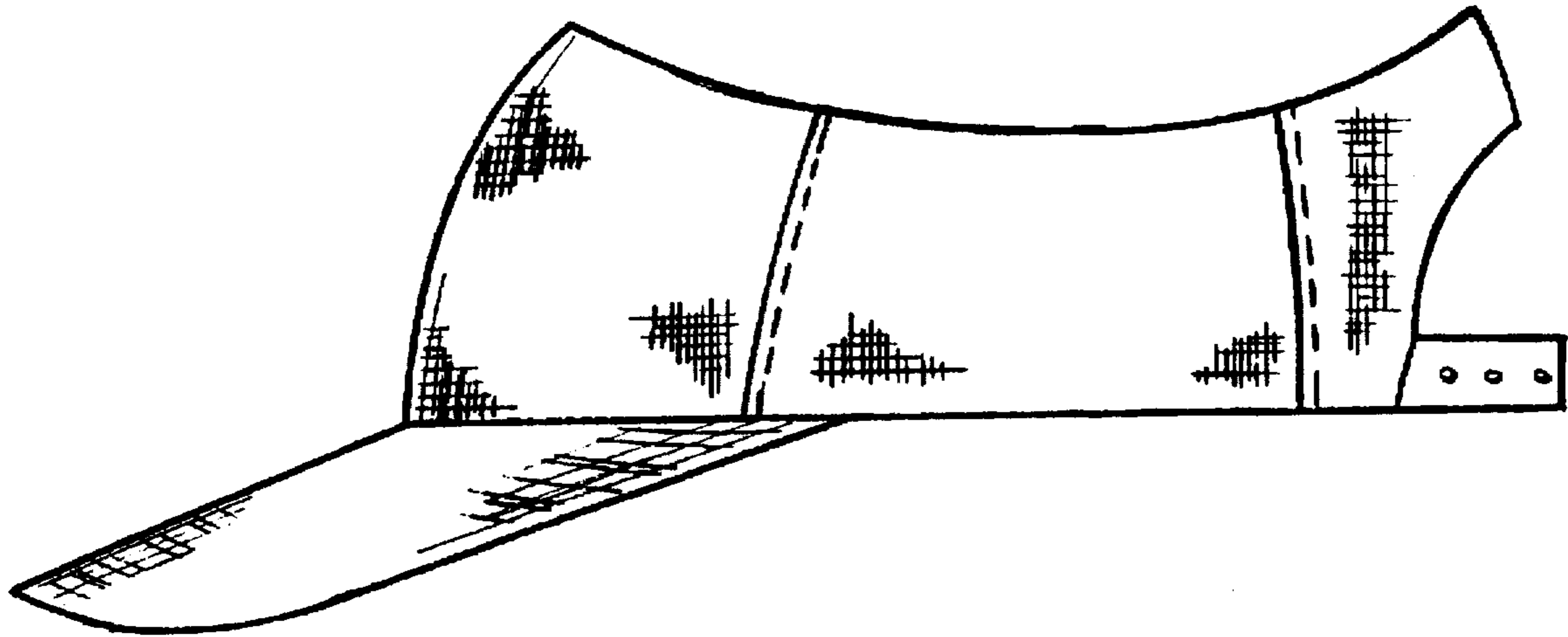
DESCRIPTION

FIG. 1 is a side elevational view of a hat with center opening showing my new design;
FIG. 2 is a side elevational view thereof;
FIG. 3 is a front elevational view thereof;
FIG. 4 is a rear elevational view thereof;
FIG. 5 is a top plan view thereof; and,
FIG. 6 is a bottom plan view thereof.

1 Claim, 6 Drawing Sheets

[56] **References Cited**
U.S. PATENT DOCUMENTS

D. 237,758 11/1975 Huffman .
D. 246,681 12/1977 Hursh .
D. 288,025 2/1987 Laughlin D2/871
D. 288,026 2/1987 Laughlin D2/871
D. 360,519 7/1995 Bailey .
4,741,053 5/1988 Okamura .



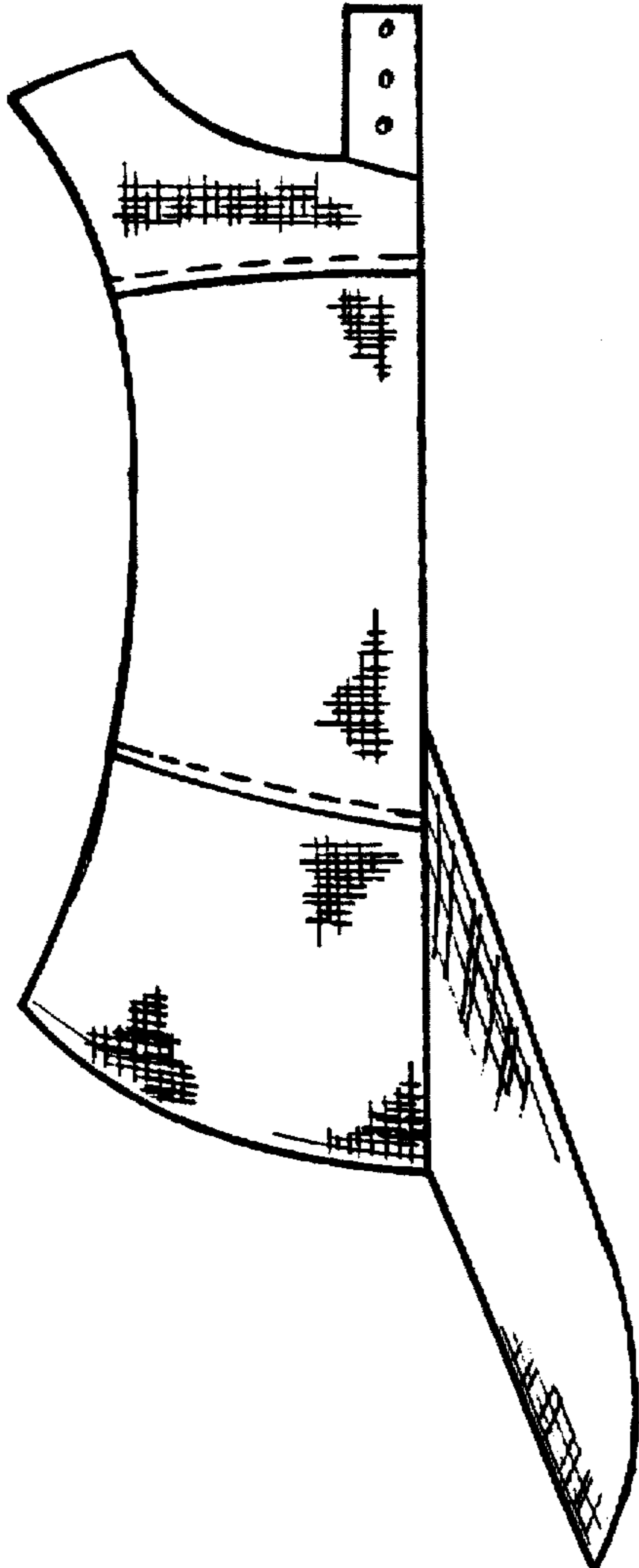


FIGURE 1

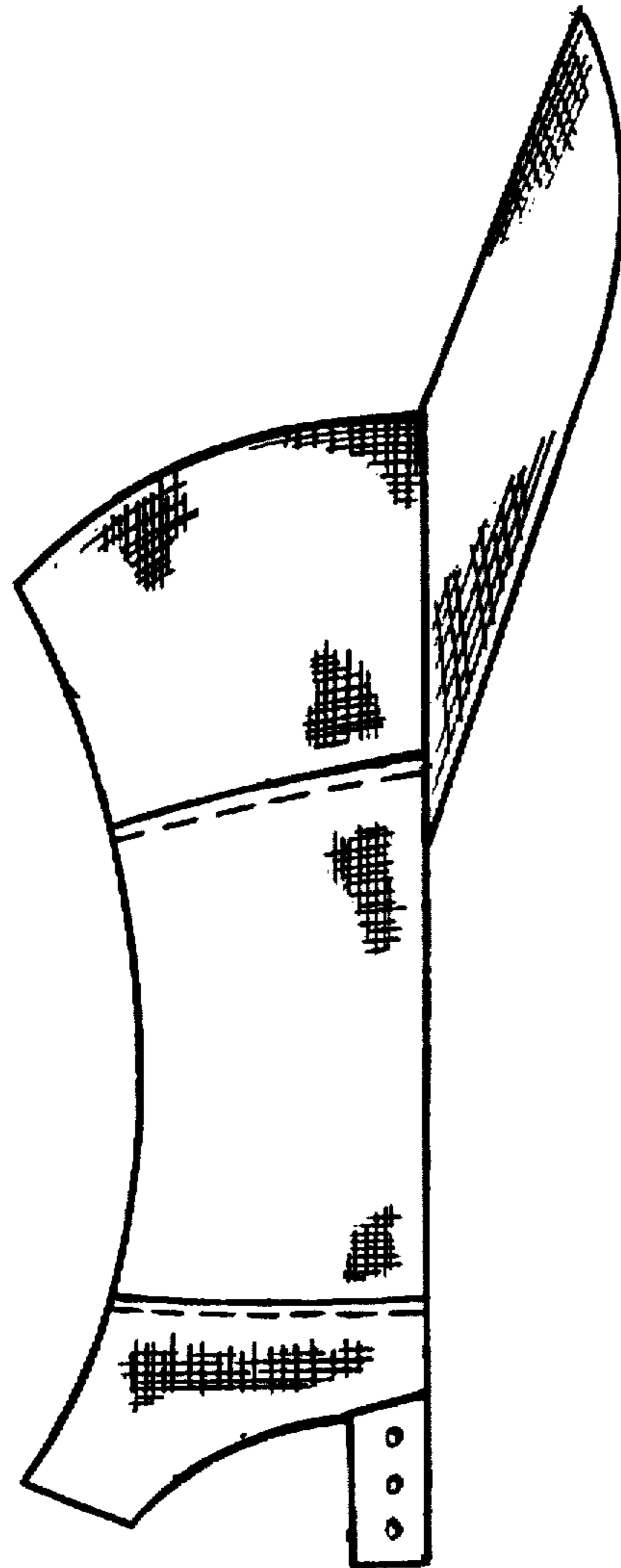


FIGURE 2

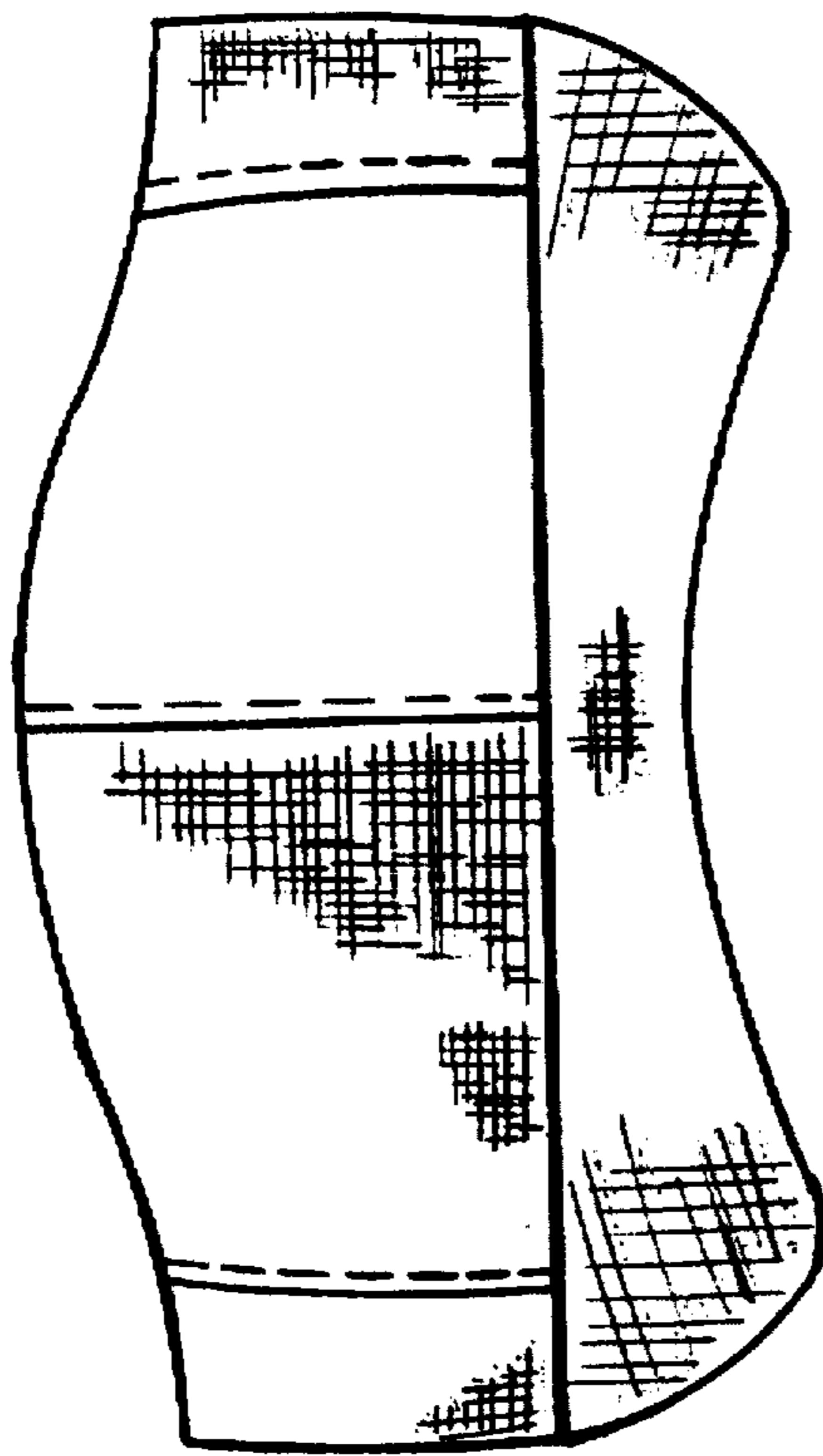


FIGURE 3

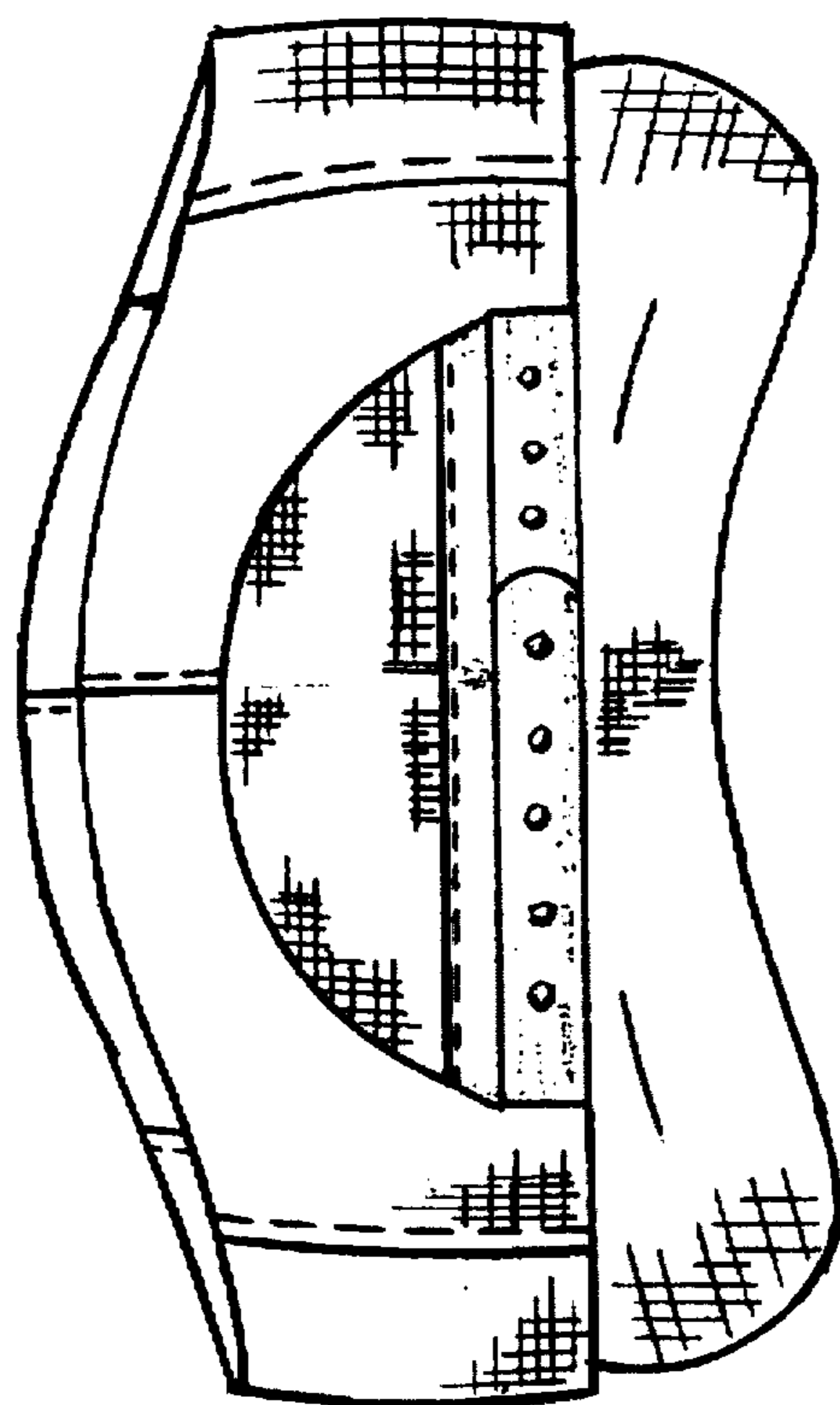


FIGURE 4

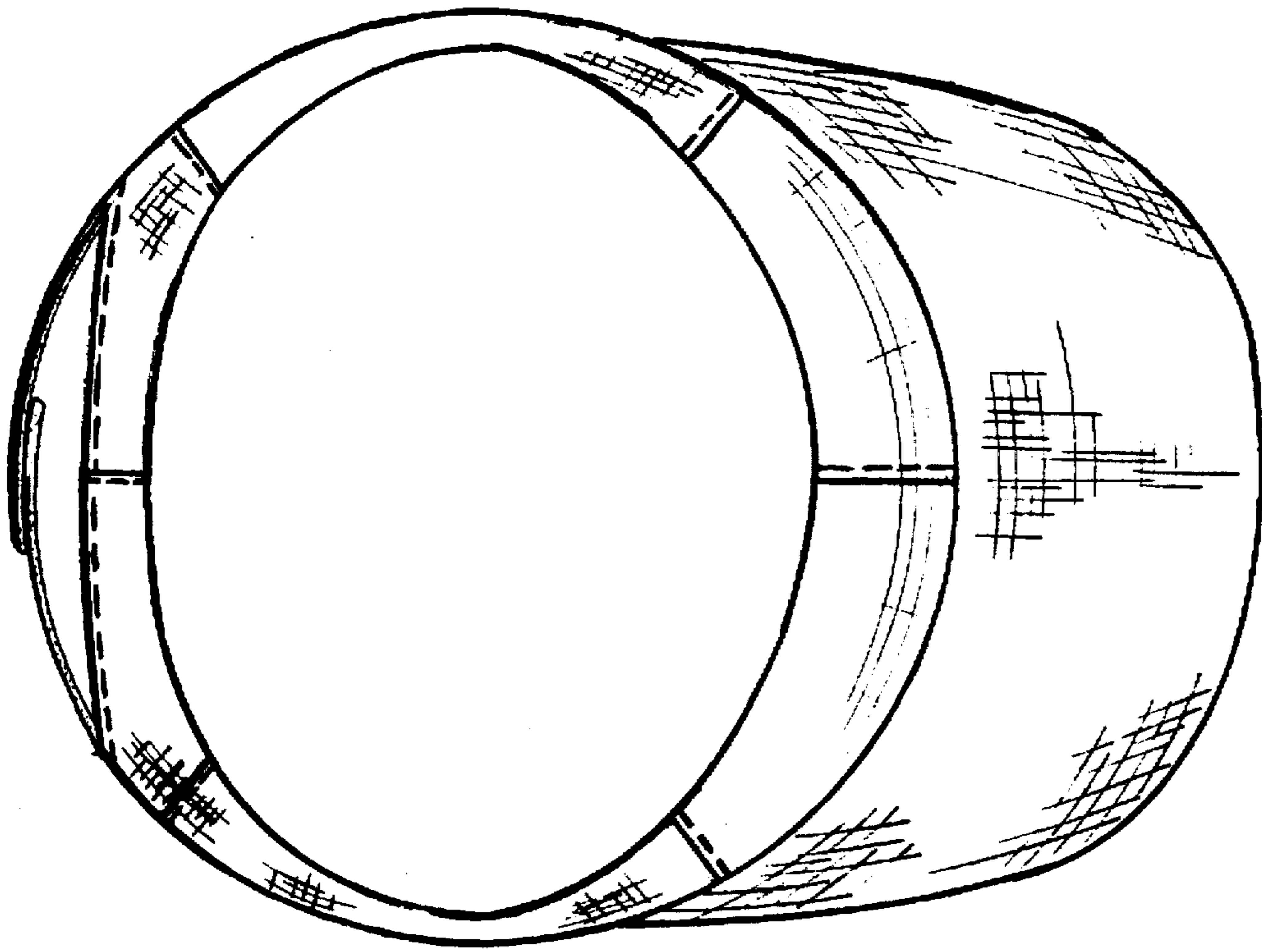


FIGURE 5

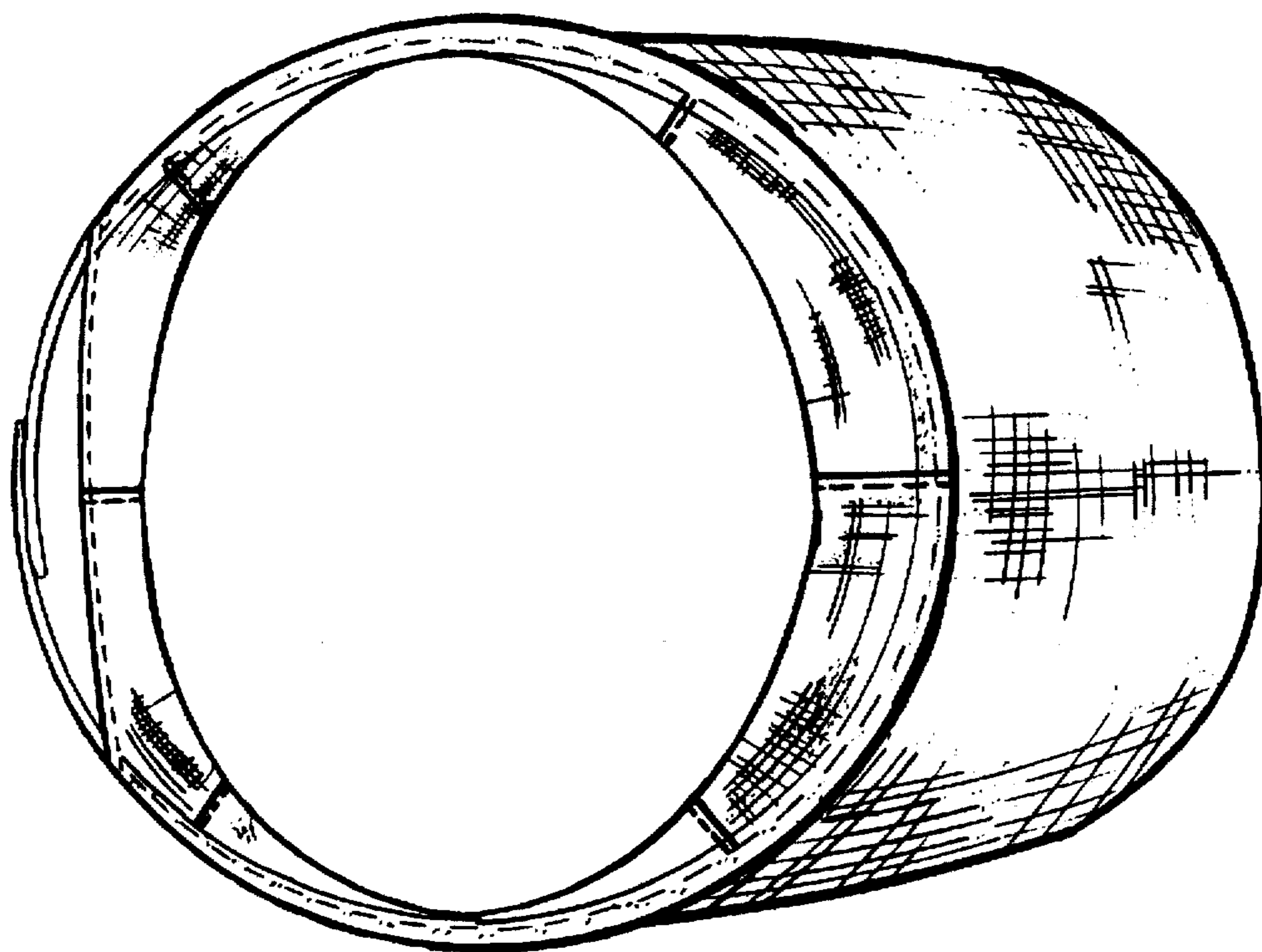


FIGURE 6