



US00D390684S

United States Patent [19]
Yeh

[11] **Patent Number: Des. 390,684**
[45] **Date of Patent: **Feb. 10, 1998**

[54] **COIN STORING TUBES**
[75] **Inventor: Thomas Yeh, Taipei, Taiwan**
[73] **Assignee: Lucky Star Enterprise & Co. Ltd., Taipei, Taiwan**
[**] **Term: 14 Years**

810,742 1/1906 Forsyth 206/0.83
3,284,025 11/1966 Fridolph 206/0.83
3,877,571 4/1975 Sanford 206/0.83
5,069,645 12/1991 Dworman et al. 446/8
5,207,612 5/1993 Wollaston 206/0.84 R

Primary Examiner—Paula A. Mortimer
Attorney, Agent, or Firm—Klein & Szekeres, LLP

[21] **Appl. No.: 56,240**
[22] **Filed: Jun. 18, 1996**

[57] **CLAIM**
The ornamental design for a coin storing tubes, as shown.

[51] **LOC (6) Cl. 99-00**
[52] **U.S. Cl. D99/34**
[58] **Field of Search D99/34, 28, 37; D9/307; 446/8; D20/1, 3; 206/0.8, 0.83**

DESCRIPTION

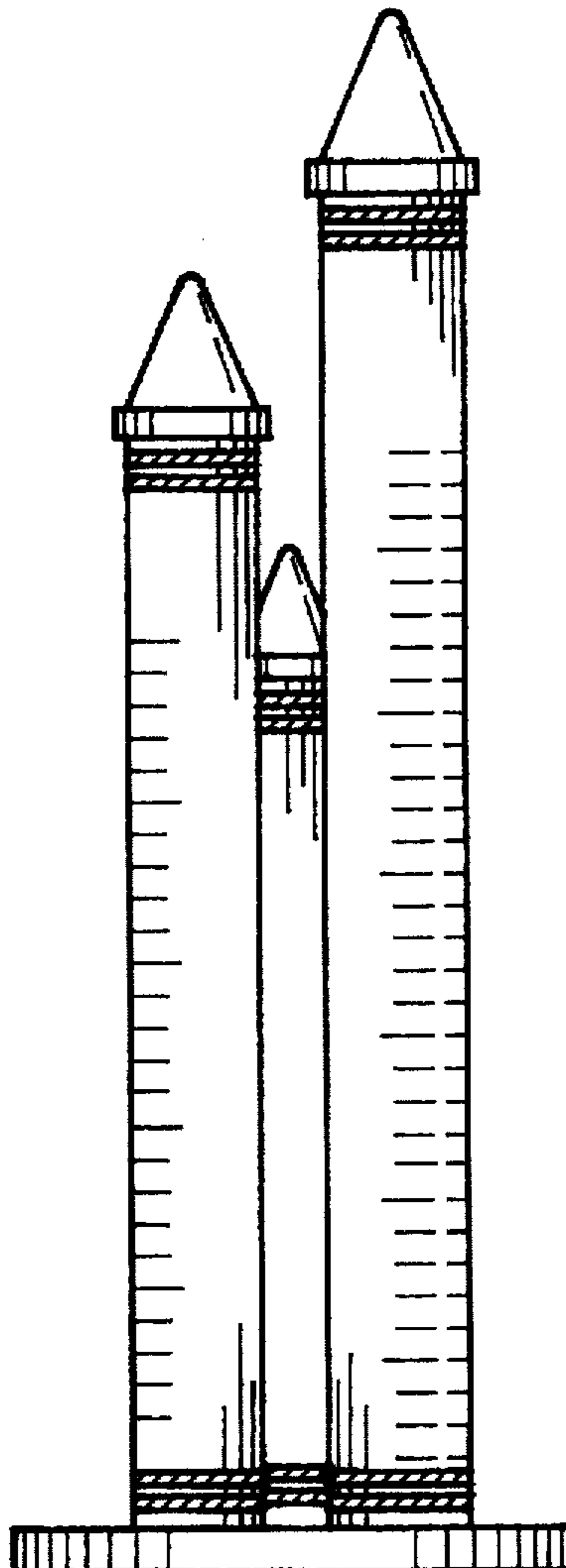
FIG. 1 is a front perspective view of a coin storing tubes showing my new design;
FIG. 2 is a top plan view thereof;
FIG. 3 is a bottom plan view thereof;
FIG. 4 is a left side elevational view thereof;
FIG. 5 is a right side elevational view thereof;
FIG. 6 is a front elevational view thereof; and
FIG. 7 is a rear elevational view thereof.

[56] **References Cited**

U.S. PATENT DOCUMENTS

D. 240,326 6/1976 Nelson D99/34
D. 243,494 3/1977 Wang D99/34 X
D. 247,793 4/1978 Mc Carthy D99/34

1 Claim, 7 Drawing Sheets



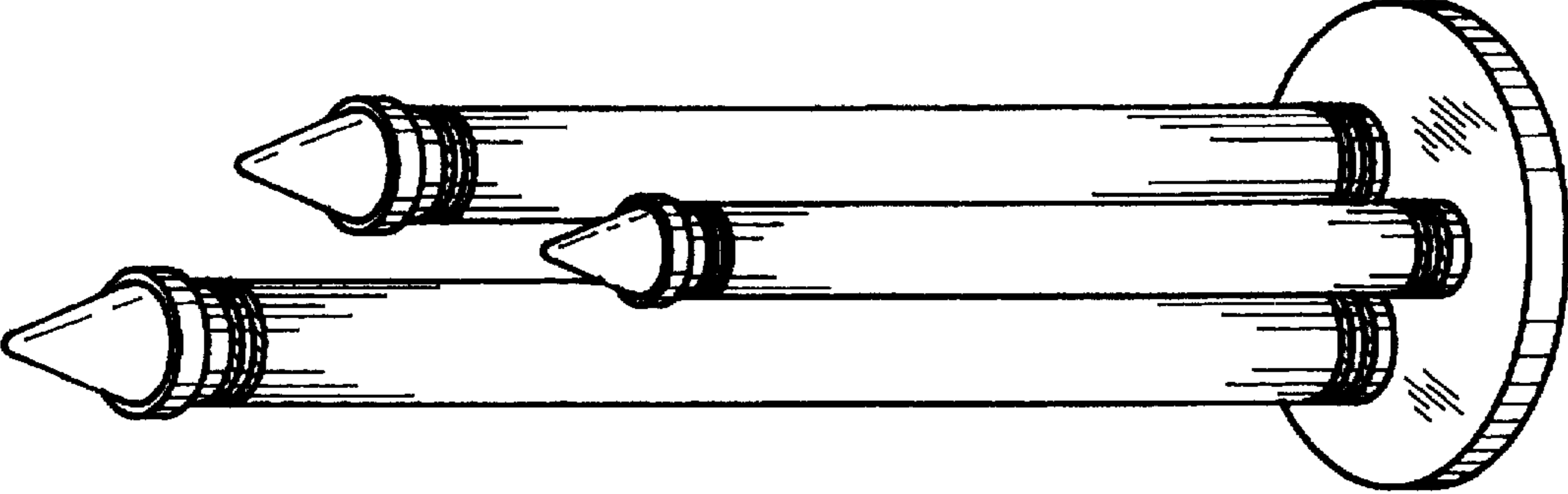


Fig. 1

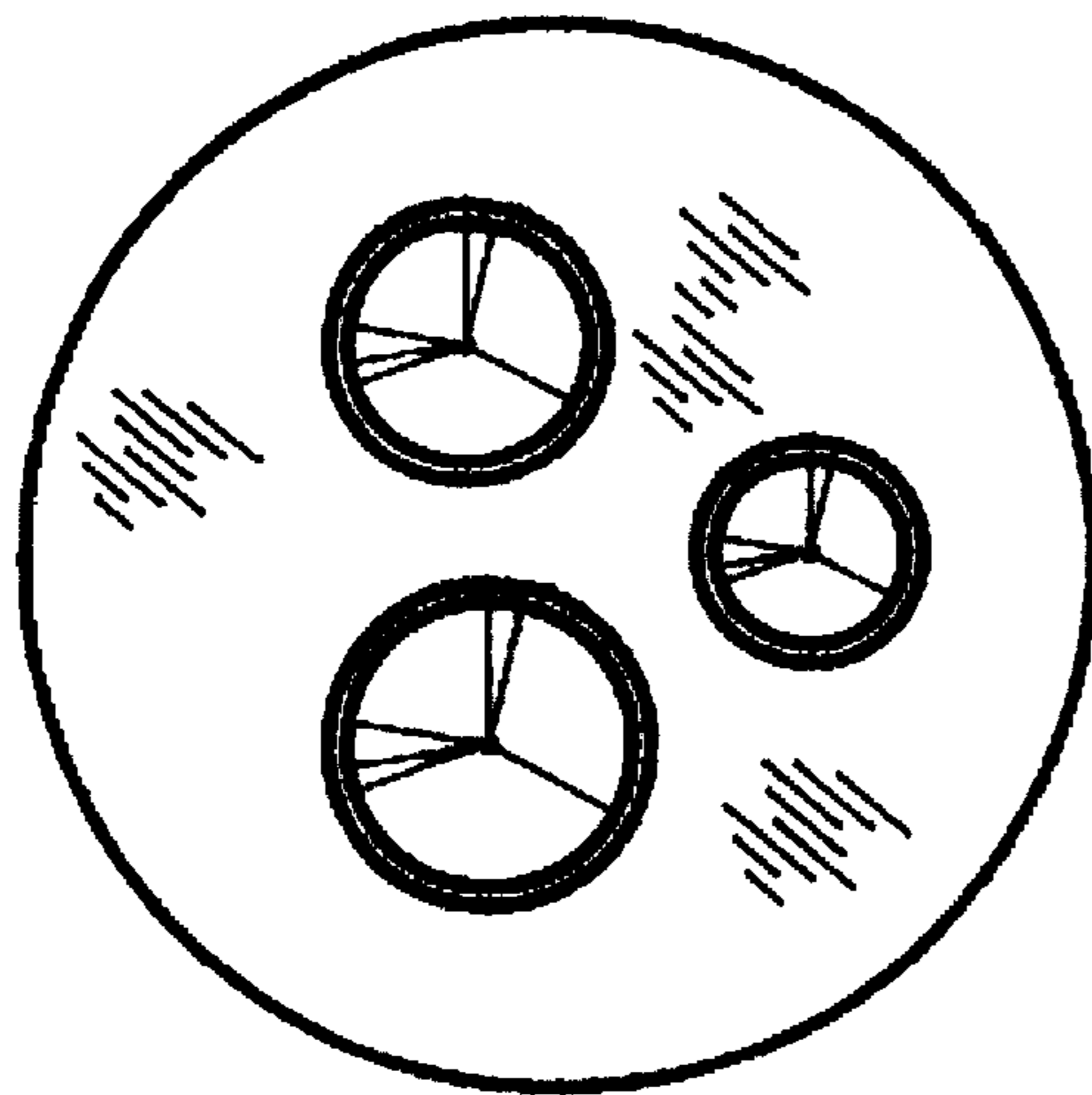


Fig. 2

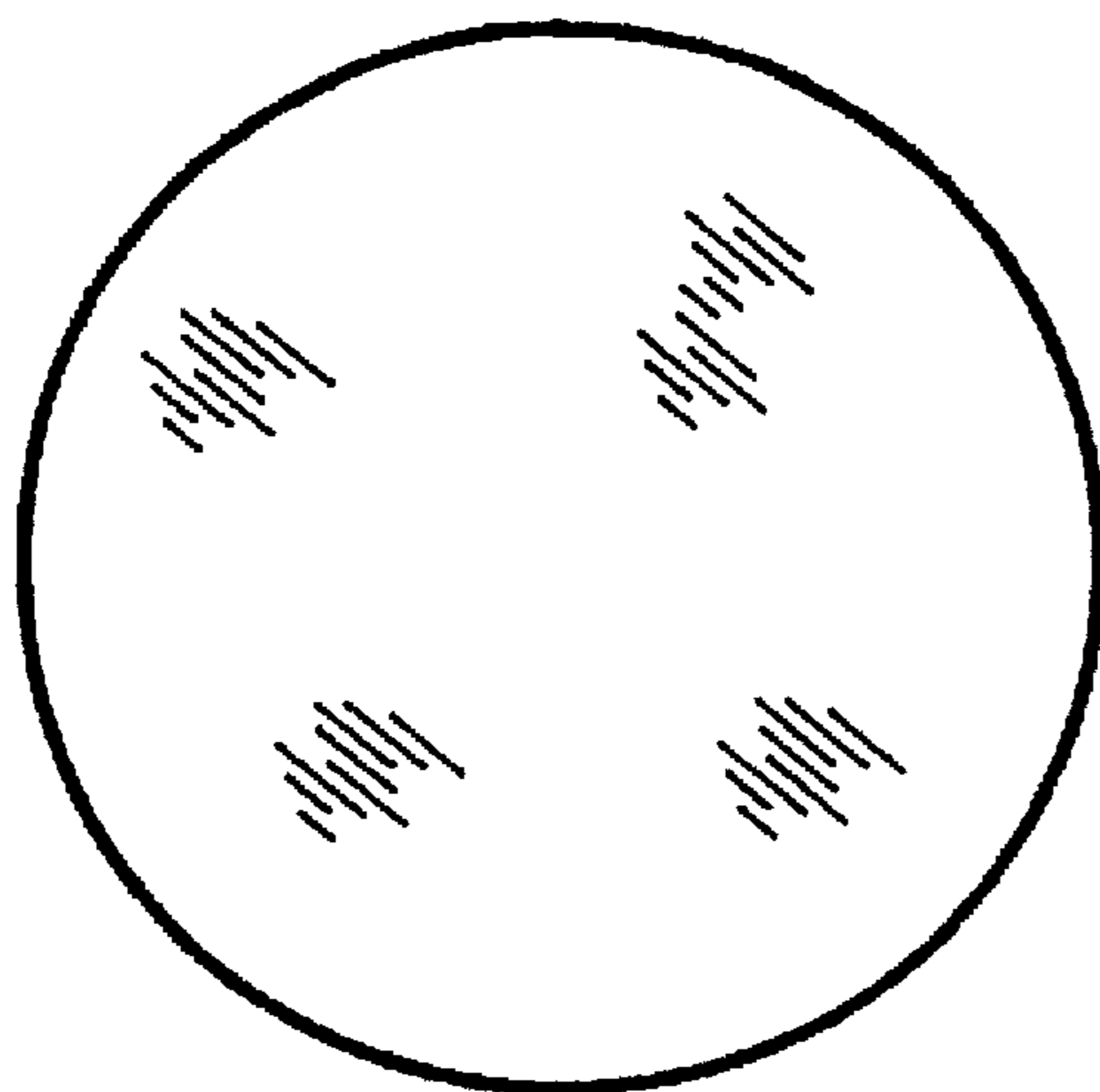


Fig. 3

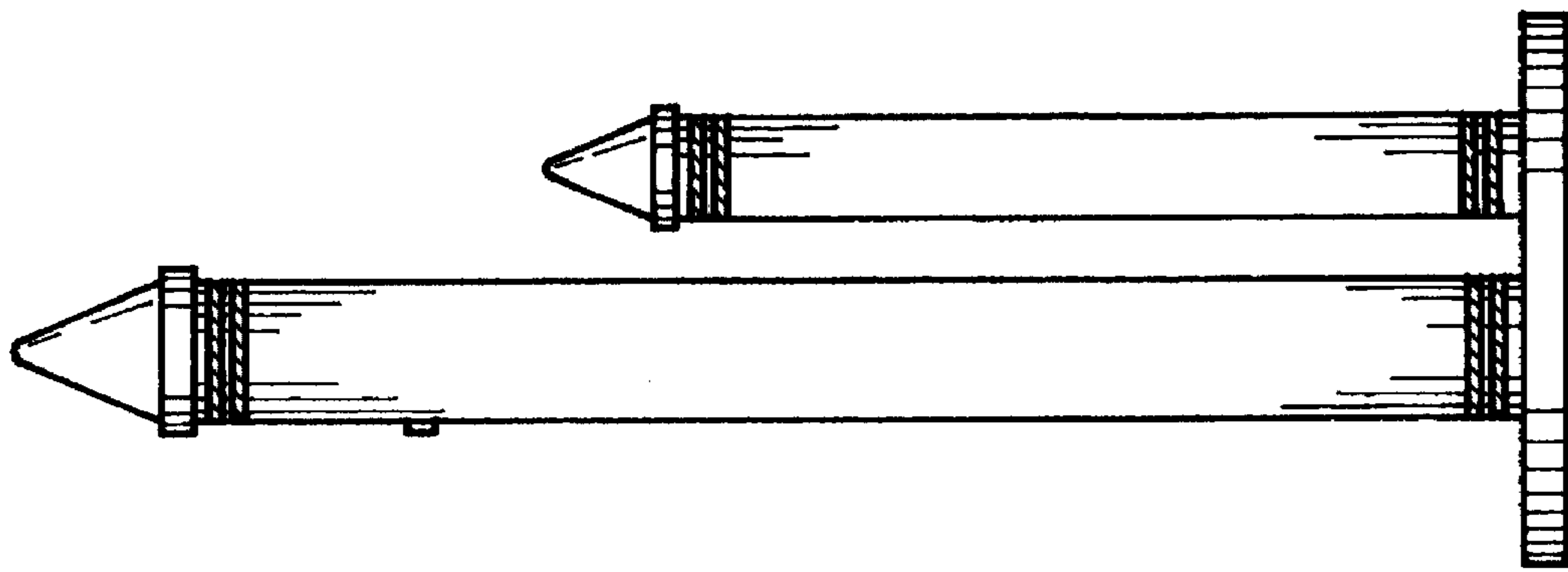


Fig. 4

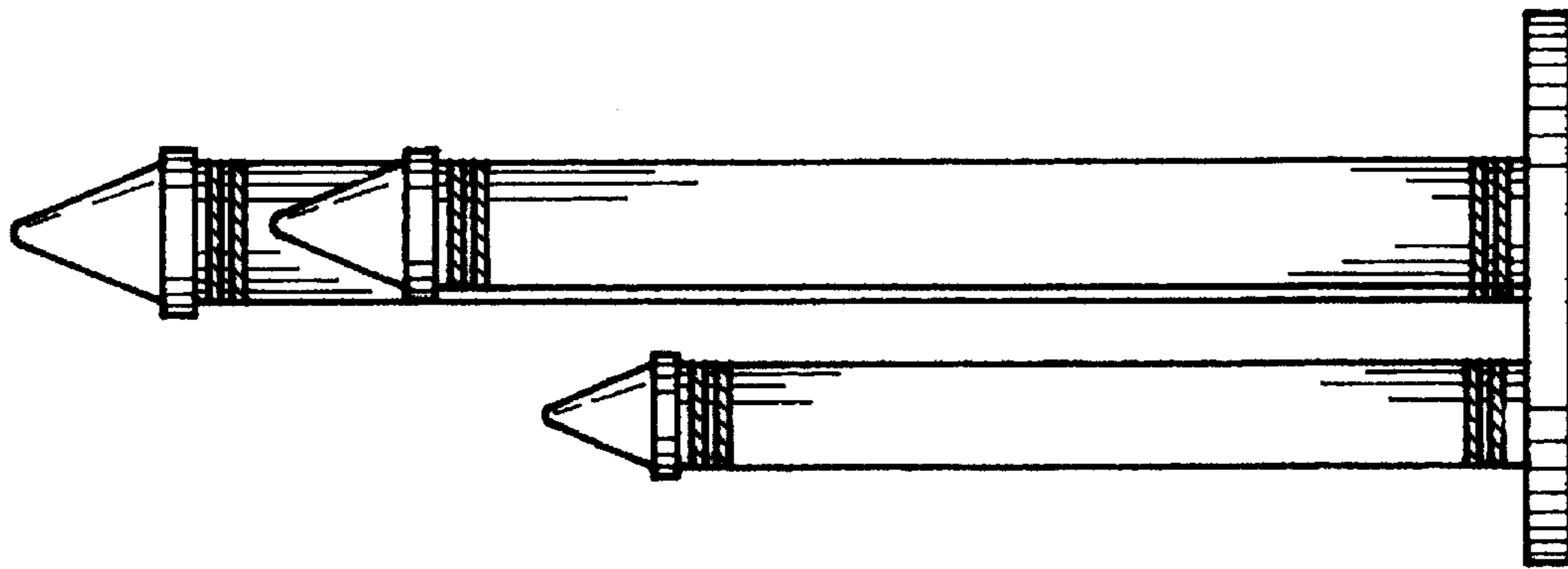


Fig. 5

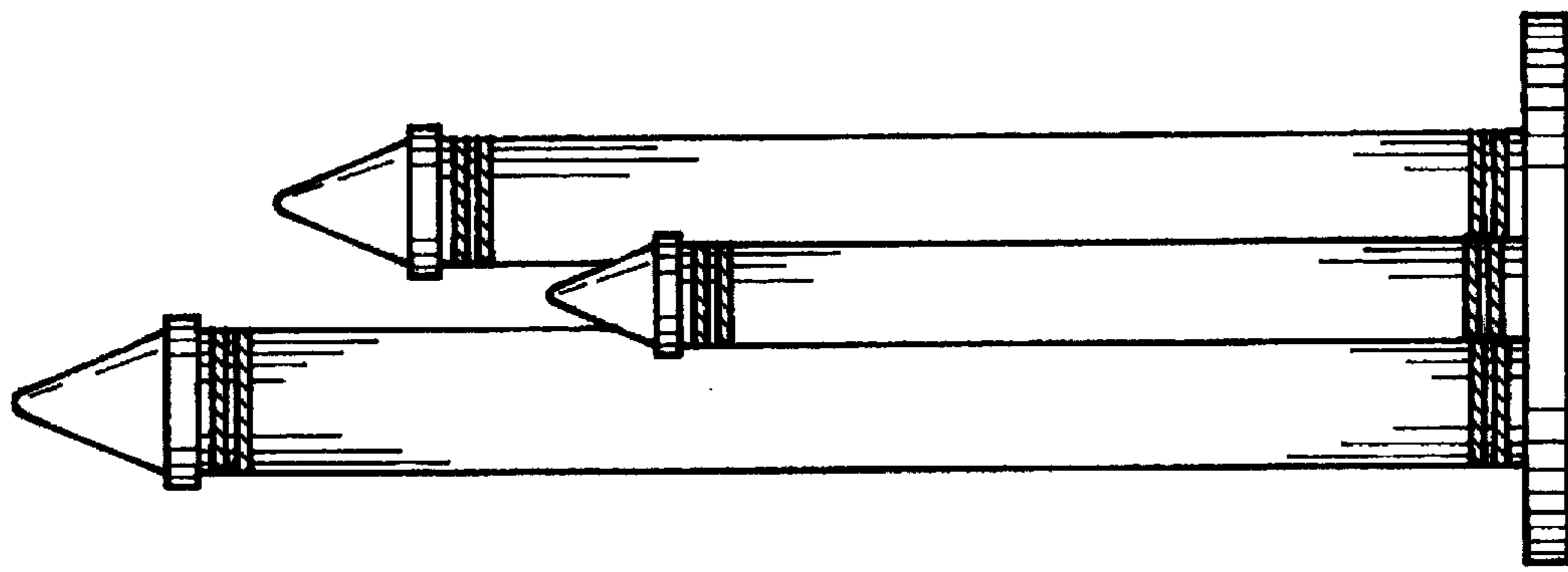


Fig. 6

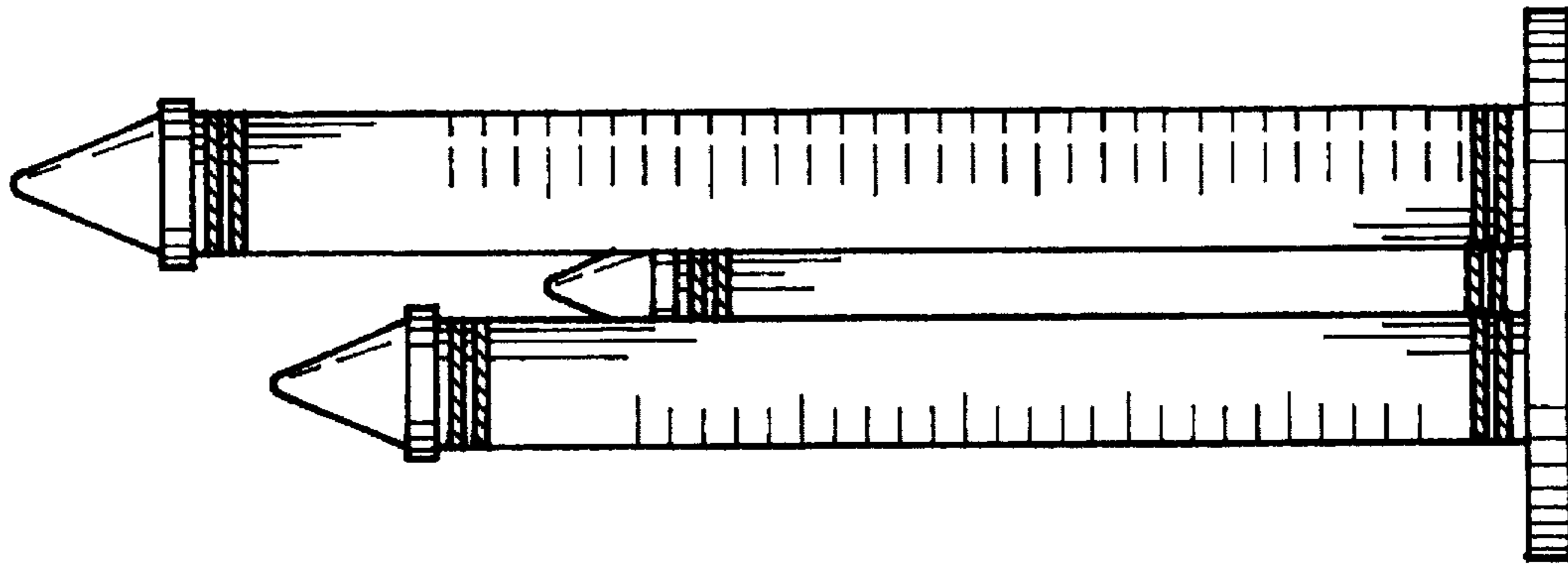


Fig. 7