

US00D390681S

United States Patent [19]

Denison et al.

[11] Patent Number: **Des. 390,681**

[45] Date of Patent: ****Feb. 10, 1998**

[54] OUTDOOR ELECTRICAL LIGHTING FIXTURE

[75] Inventors: **John F. Denison**, Lake Villa, Ill.;
Robert D. Giese, Kenosha, Wis.

[73] Assignee: **Intermatic Incorporated**, Spring Grove, Ill.

[**] Term: **14 Years**

[21] Appl. No.: **66,449**

[22] Filed: **Feb. 11, 1997**

[51] LOC (6) Cl. **26-05**

[52] U.S. Cl. **D26/68; D26/63**

[58] Field of Search: **D26/63, 67-71; 362/153, 153.1, 269, 275, 287, 410, 413, 414, 418, 419, 427, 431**

[56] References Cited

U.S. PATENT DOCUMENTS

D. 91,679	3/1934	McFadden	D26/63
D. 101,660	10/1936	Wellman	D26/67
D. 127,833	6/1941	Price	D28/63
D. 226,582	3/1973	Iannini	D26/68
2,489,650	11/1949	Landrum	D26/63 X

OTHER PUBLICATIONS

Silvray Lighting for Outdoor Living catalog, p. 4, reflector, exterior light #2102, Group 2900, exterior lamp box, May 1964.

Primary Examiner—Susan J. Lucas
Attorney, Agent, or Firm—Brinks Hofer Gilson & Lione

[57] CLAIM

The ornamental design for an outdoor electrical lighting fixture, as shown and described.

DESCRIPTION

FIG. 1 is a perspective view of an outdoor electrical lighting fixture showing our new design;
FIG. 2 is a front view;
FIG. 3 is a back view;
FIG. 4 is a side view;
FIG. 5 is a top view; and,
FIG. 6 is a bottom view; and,
FIG. 7 is a fragmentary perspective view showing the lighting housing swiveled to an alternate position, the fixture being fragmentarily shown for convenience of illustration. The broken lines are shown for illustrative purposes only and form no part of the claimed design.

1 Claim, 3 Drawing Sheets

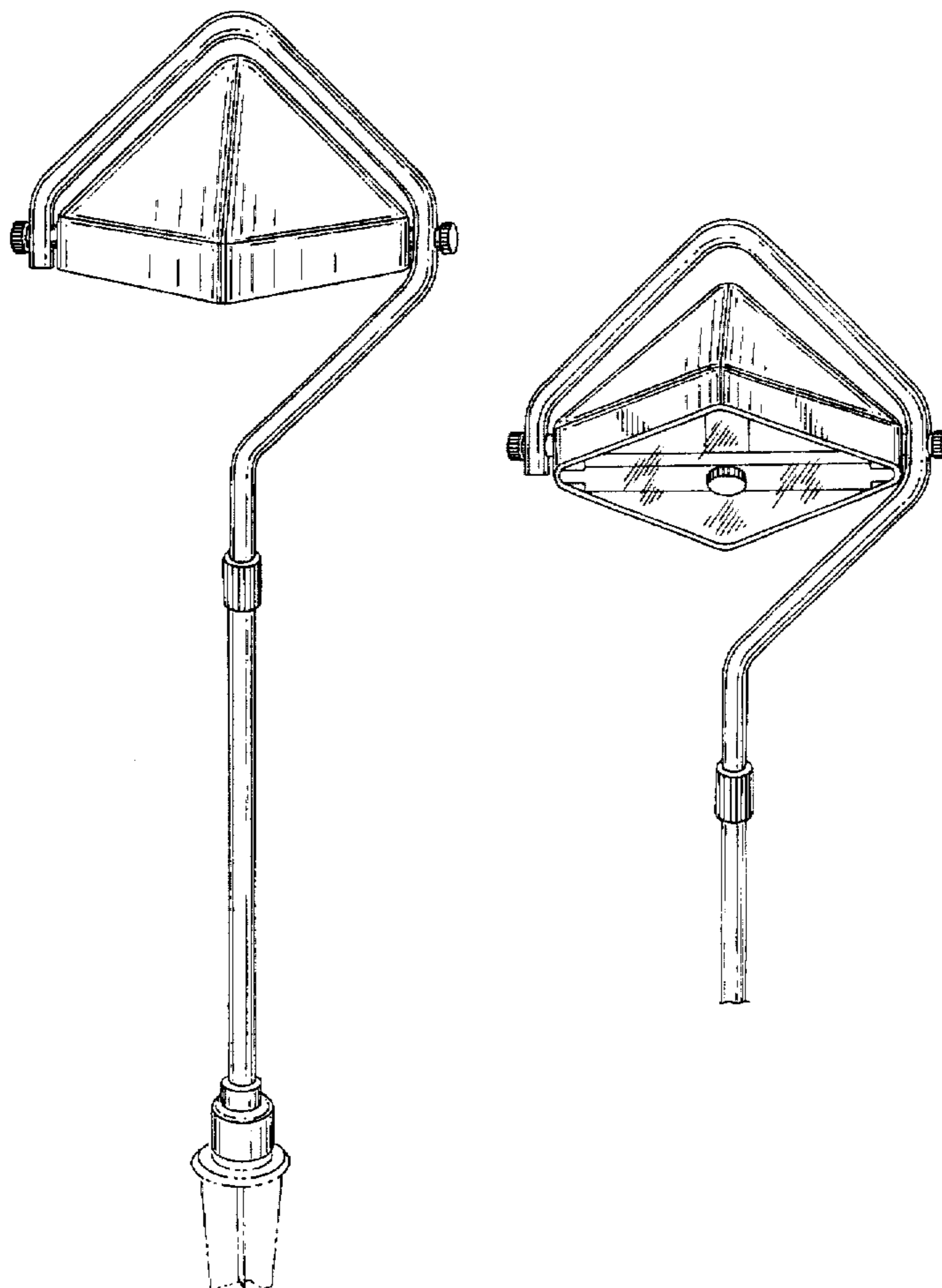


FIG. 1

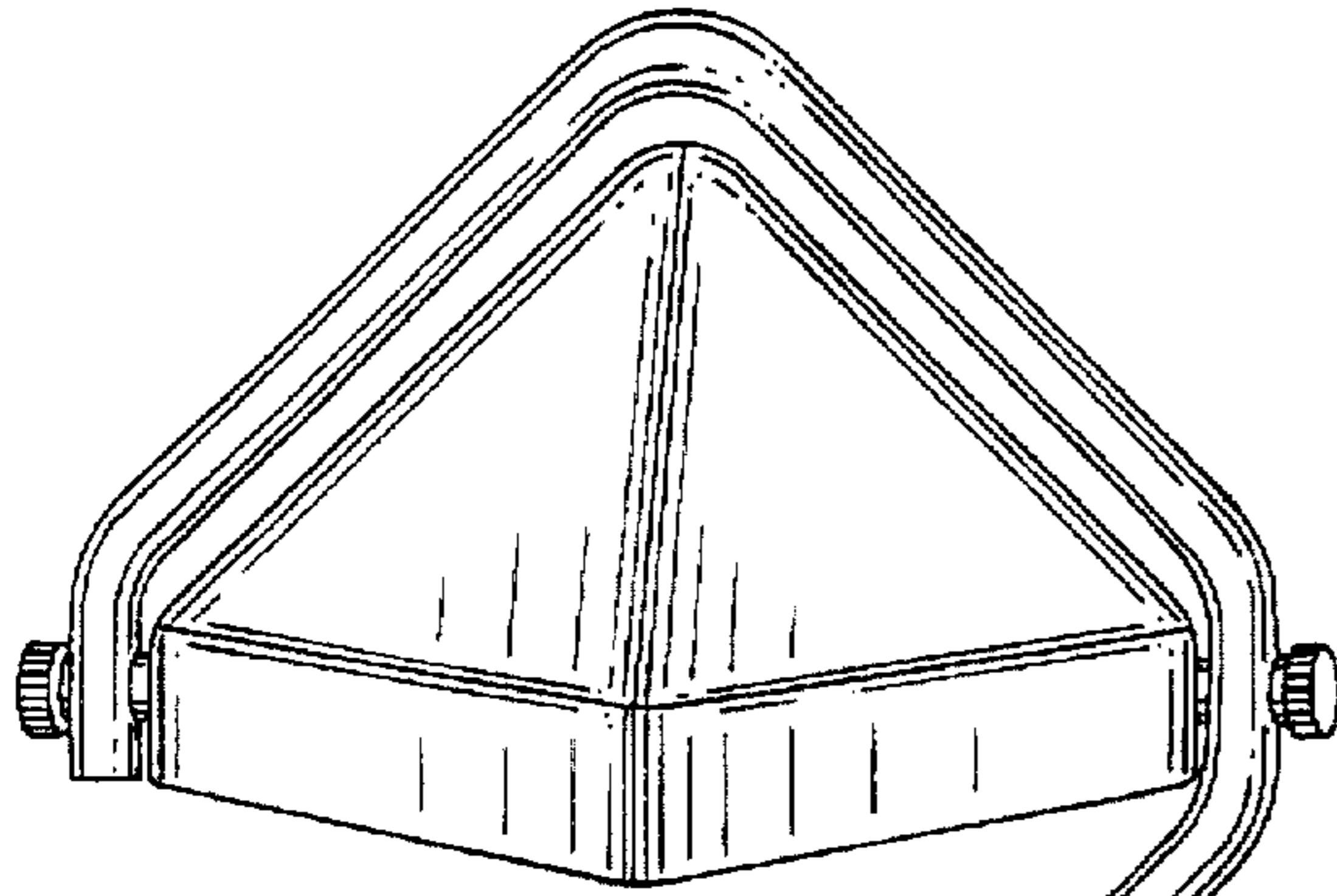


FIG. 2

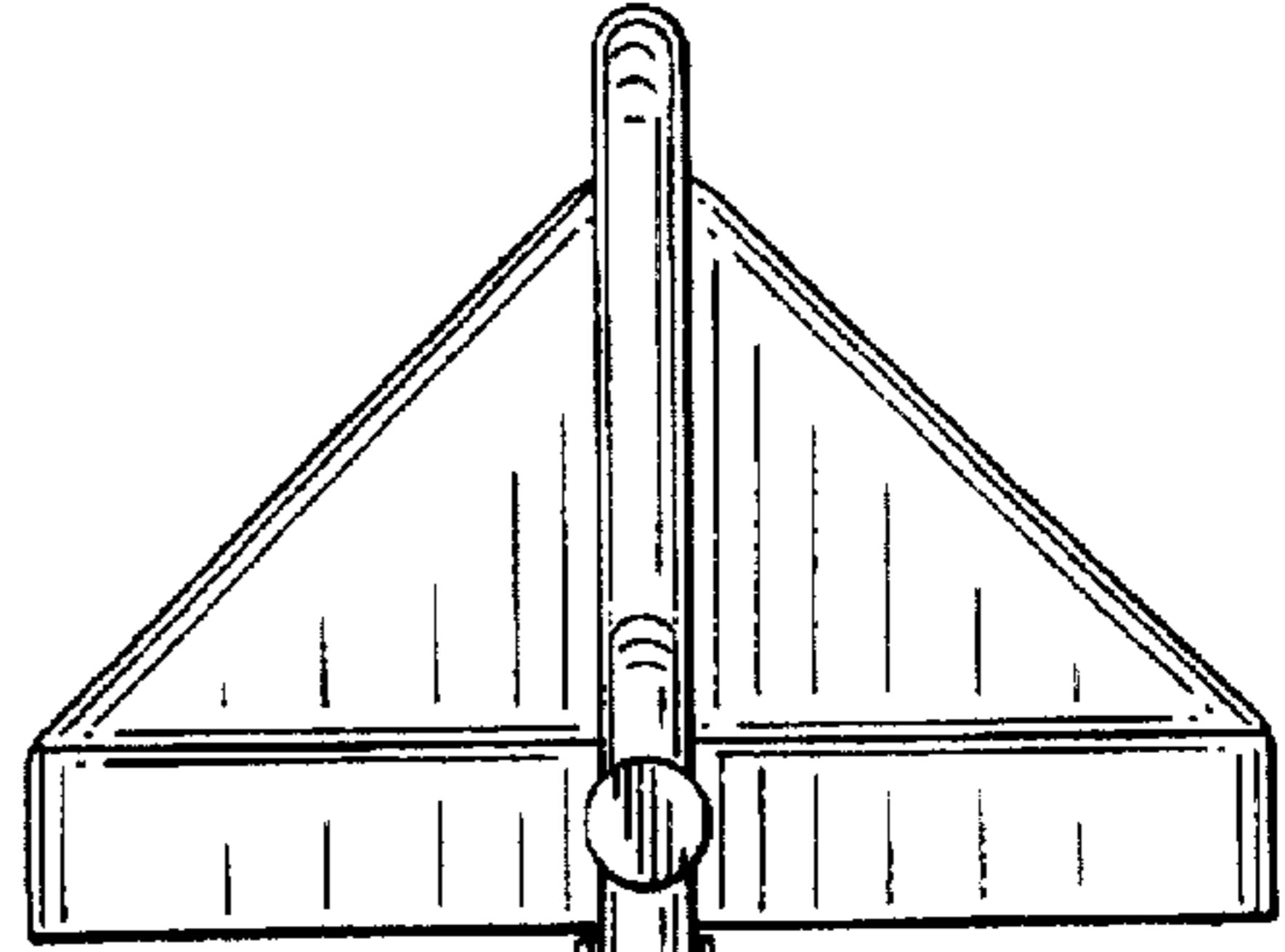


FIG. 7

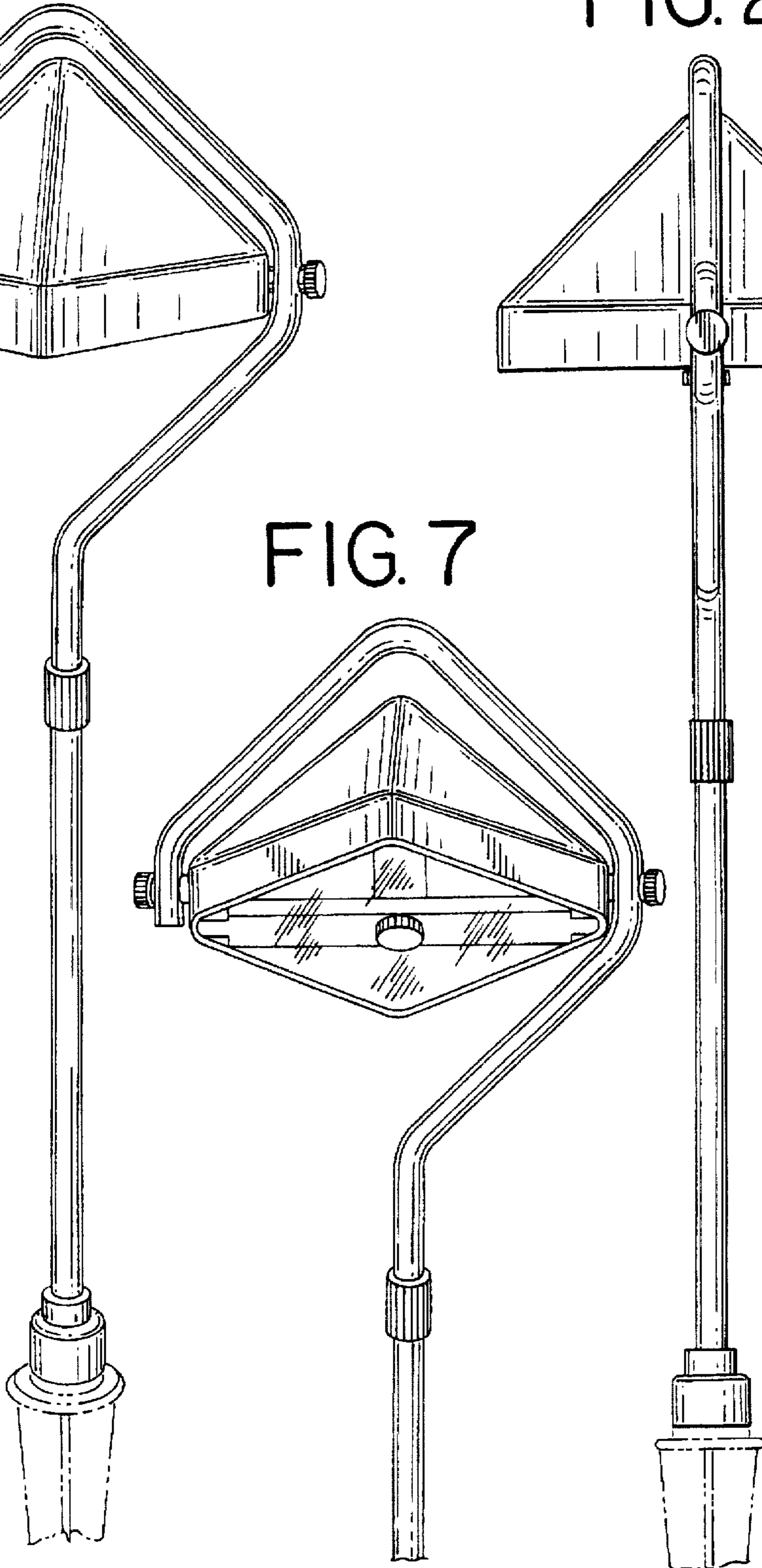
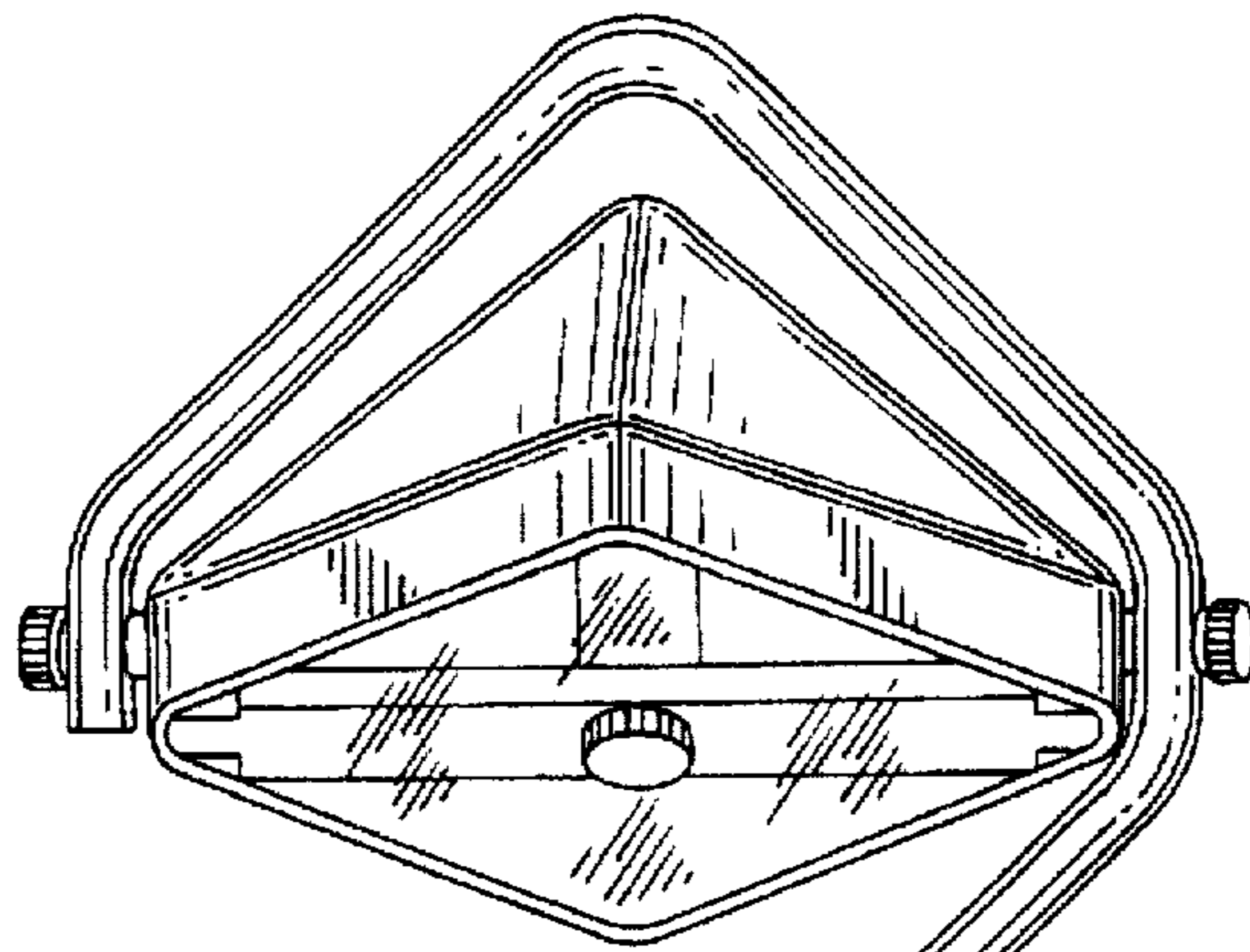


FIG. 3

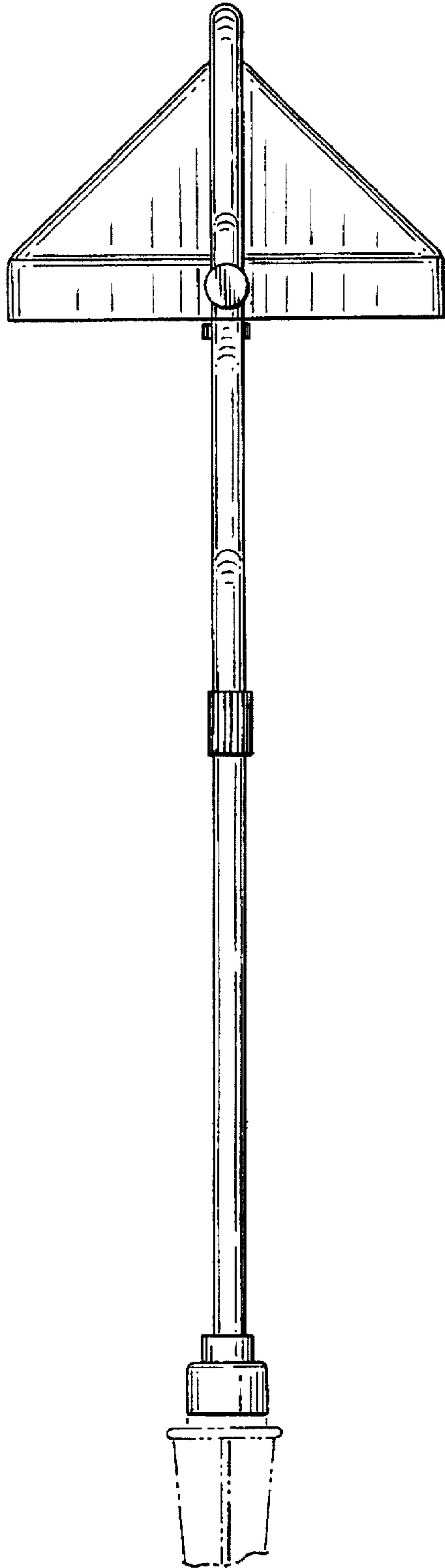


FIG. 4

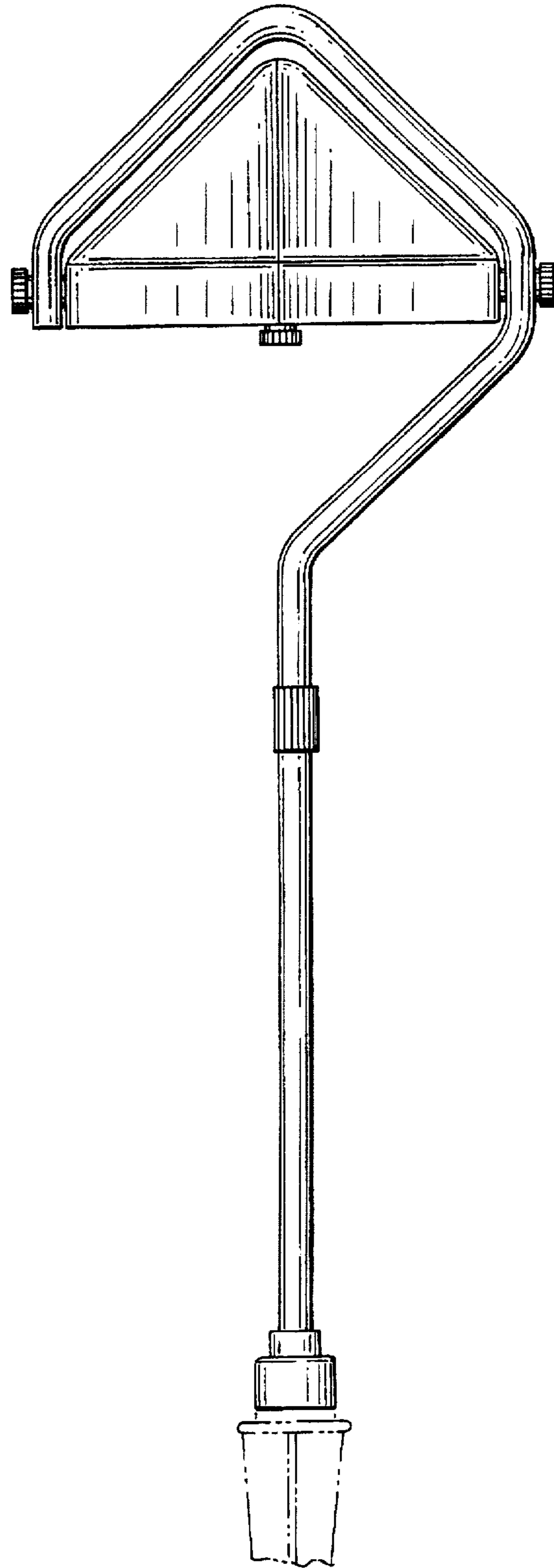


FIG. 5

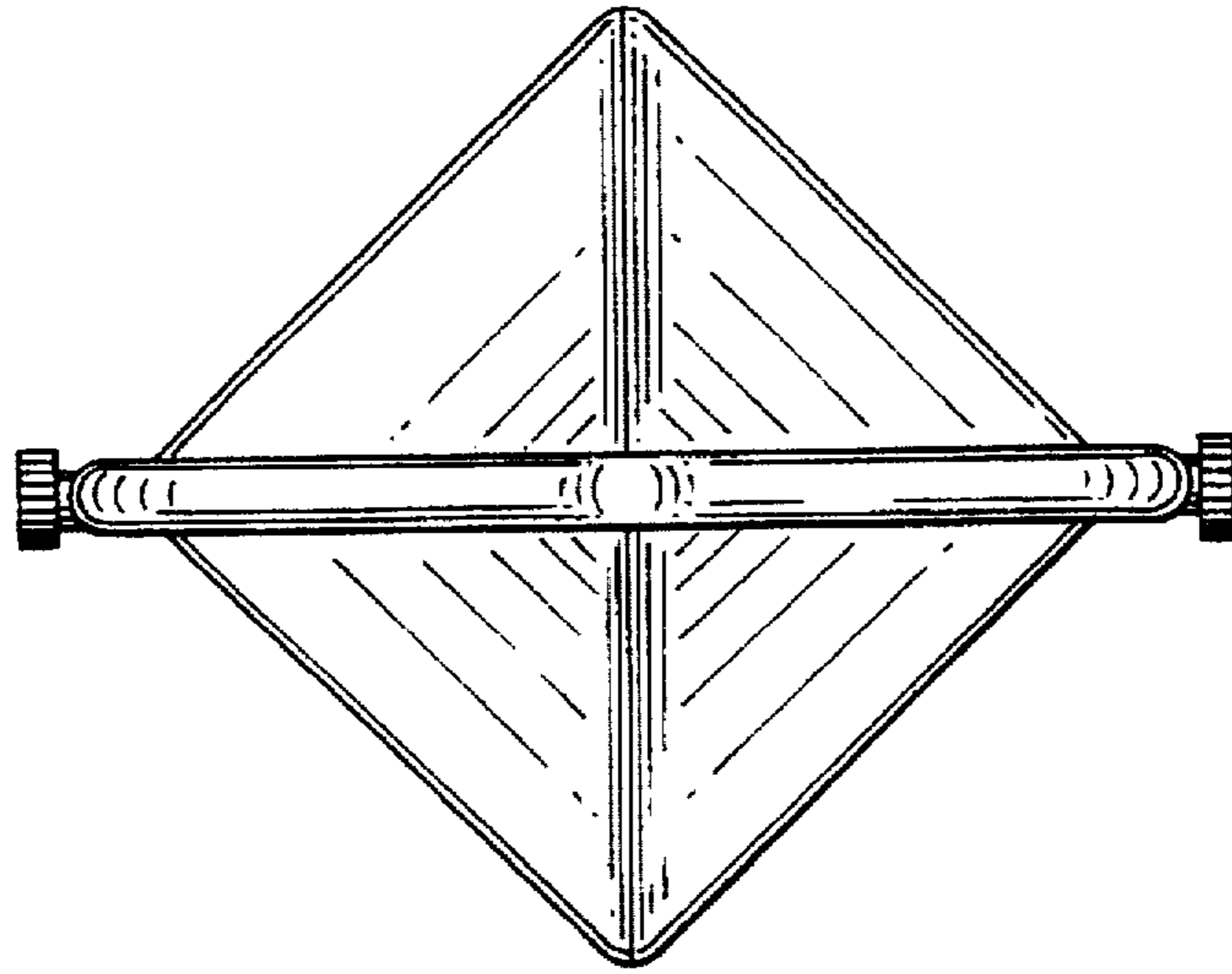


FIG. 6

