

US00D390680S

United States Patent [19]

Giese et al.

[11] Patent Number: **Des. 390,680**

[45] Date of Patent: ****Feb. 10, 1998**

[54] **OUTDOOR ELECTRICAL LIGHTING
FIXTURE**

[75] Inventors: **Robert D. Giese, Kenosha, Wis.; John
F. Denison, Lake Villa, Ill.**

[73] Assignee: **Intermatic Incorporated, Spring
Grove, Ill.**

[**] Term: **14 Years**

[21] Appl. No.: **66,448**

[22] Filed: **Feb. 11, 1997**

[51] LOC (6) Cl. **26-05**

[52] U.S. Cl. **D26/68; D26/63**

[58] Field of Search **D26/67-71, 63;
362/153.1, 153, 269, 275, 287, 410, 413,
414, 418, 419, 427, 431**

[56] **References Cited**

U.S. PATENT DOCUMENTS

- D. 91,679 3/1934 McFadden D26/63
- D. 101,660 10/1936 Wellman D26/67
- D. 127,833 6/1941 Price D26/63

- D. 226,582 3/1973 Iannini D26/68
- 2,489,650 11/1949 Landrum D26/63 X

Primary Examiner—Susan J. Lucas
Attorney, Agent, or Firm—Brinks Hofer Gilson & Lione

[57] **CLAIM**

The ornamental design for an outdoor electrical lighting fixture, as shown and described.

DESCRIPTION

FIG. 1 is a perspective view of an outdoor electrical lighting fixture showing our new design;
 FIG. 2 is a front view;
 FIG. 3 is a side view;
 FIG. 4 is a back view;
 FIG. 5 is a top view; and,
 FIG. 6 is a bottom view; and,
 FIG. 7 is a fragmentary perspective view showing the lighting housing swiveled to an alternate position, the fixture being fragmentarily shown for convenience of illustration. The broken lines are shown for illustrative purposes only and form no part of the claimed design.

1 Claim, 3 Drawing Sheets

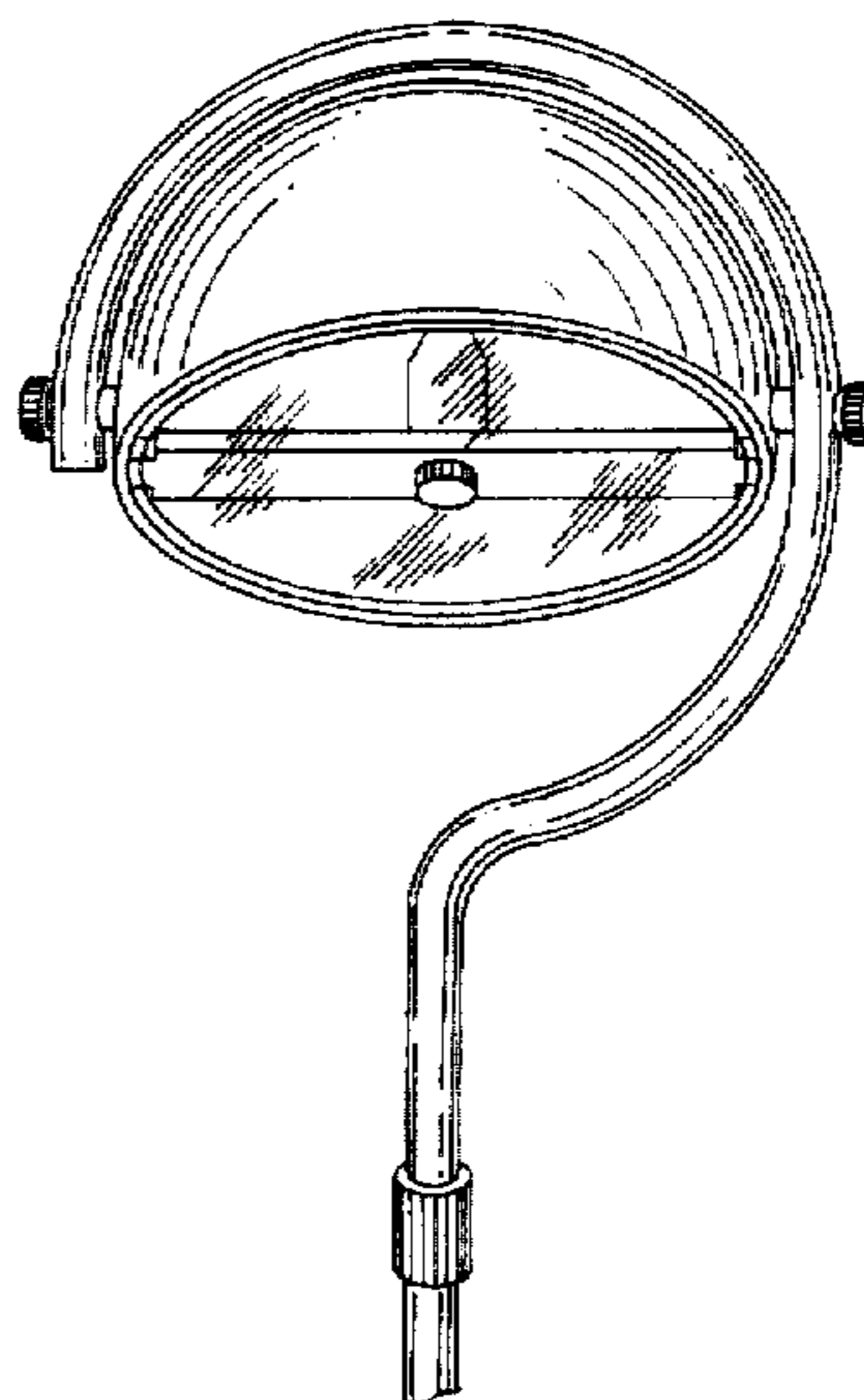
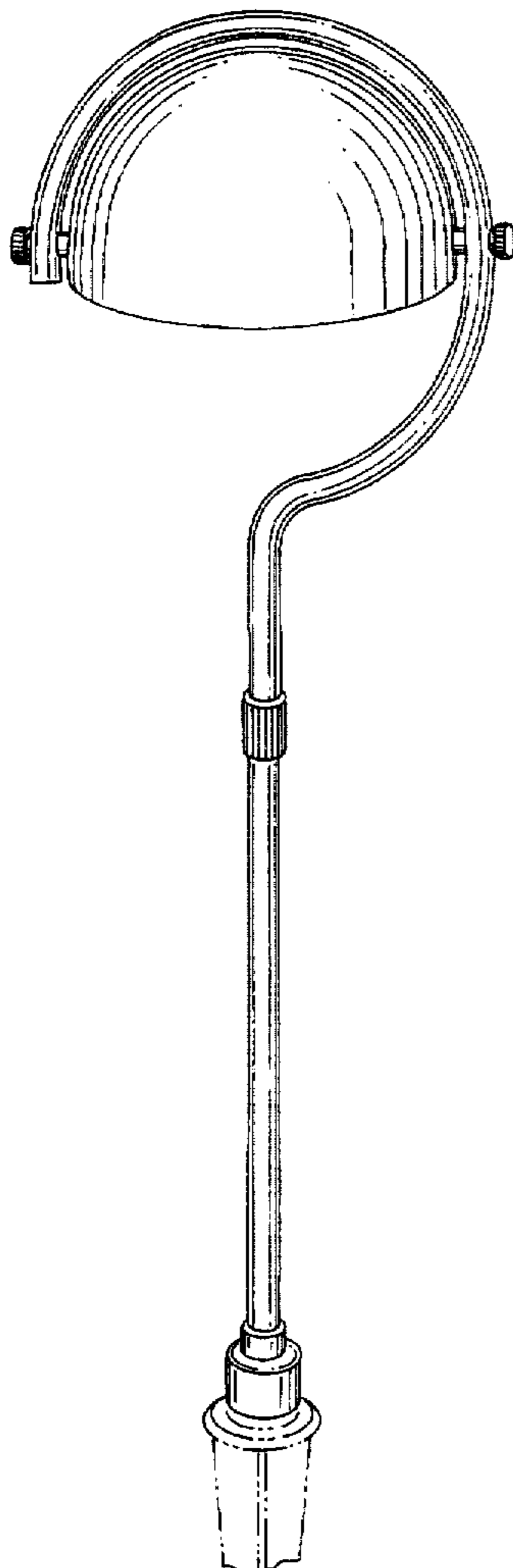


FIG. 1

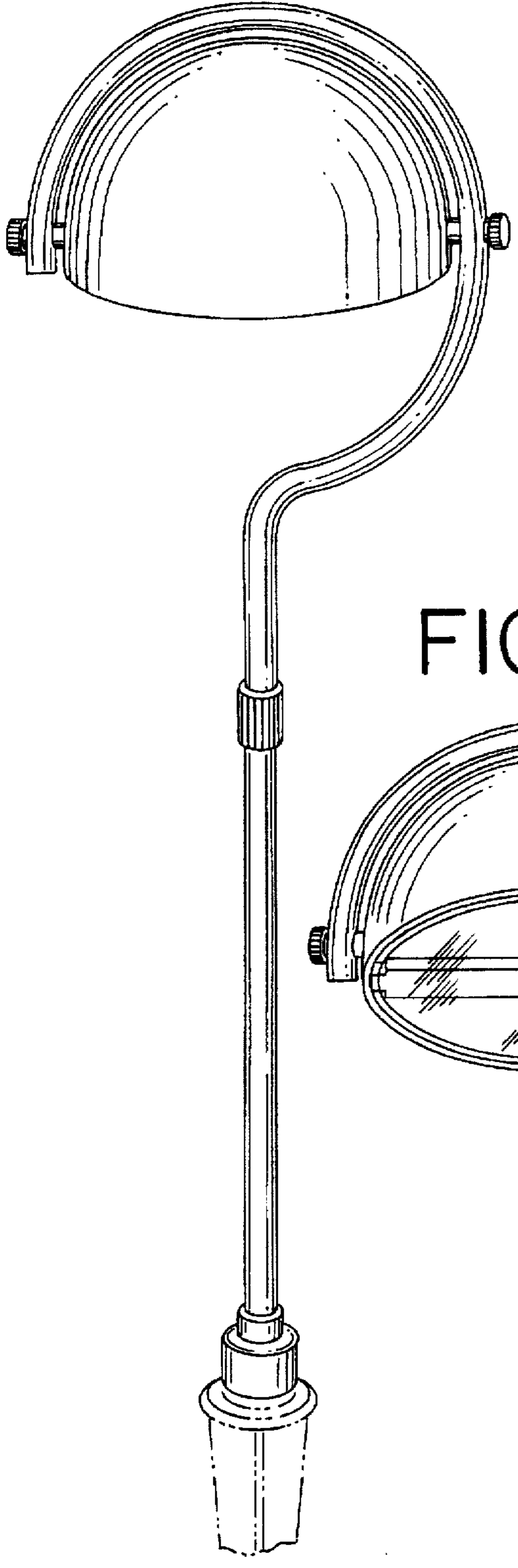


FIG. 2

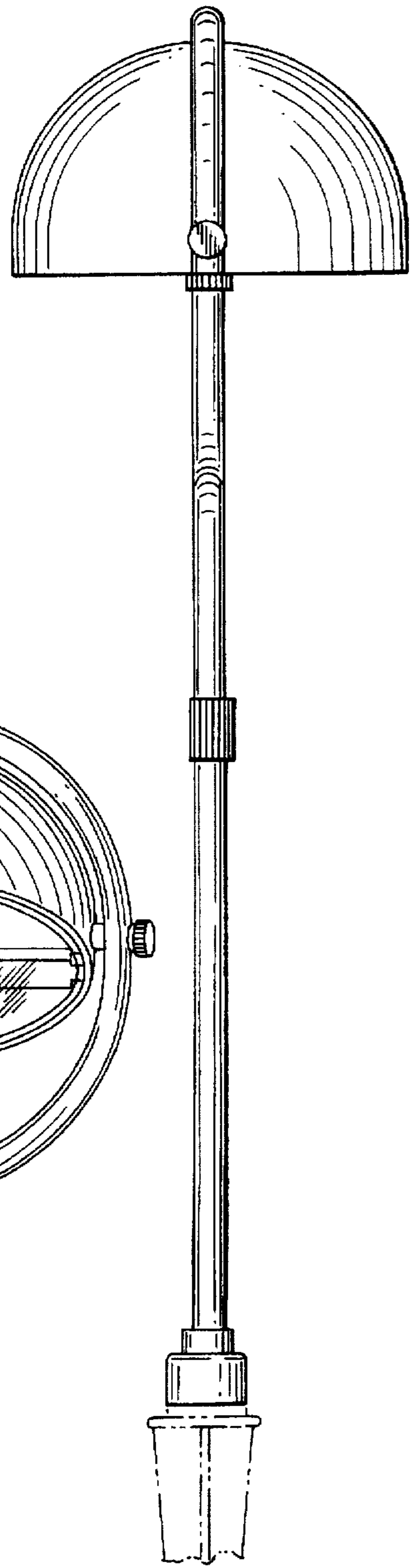


FIG. 7

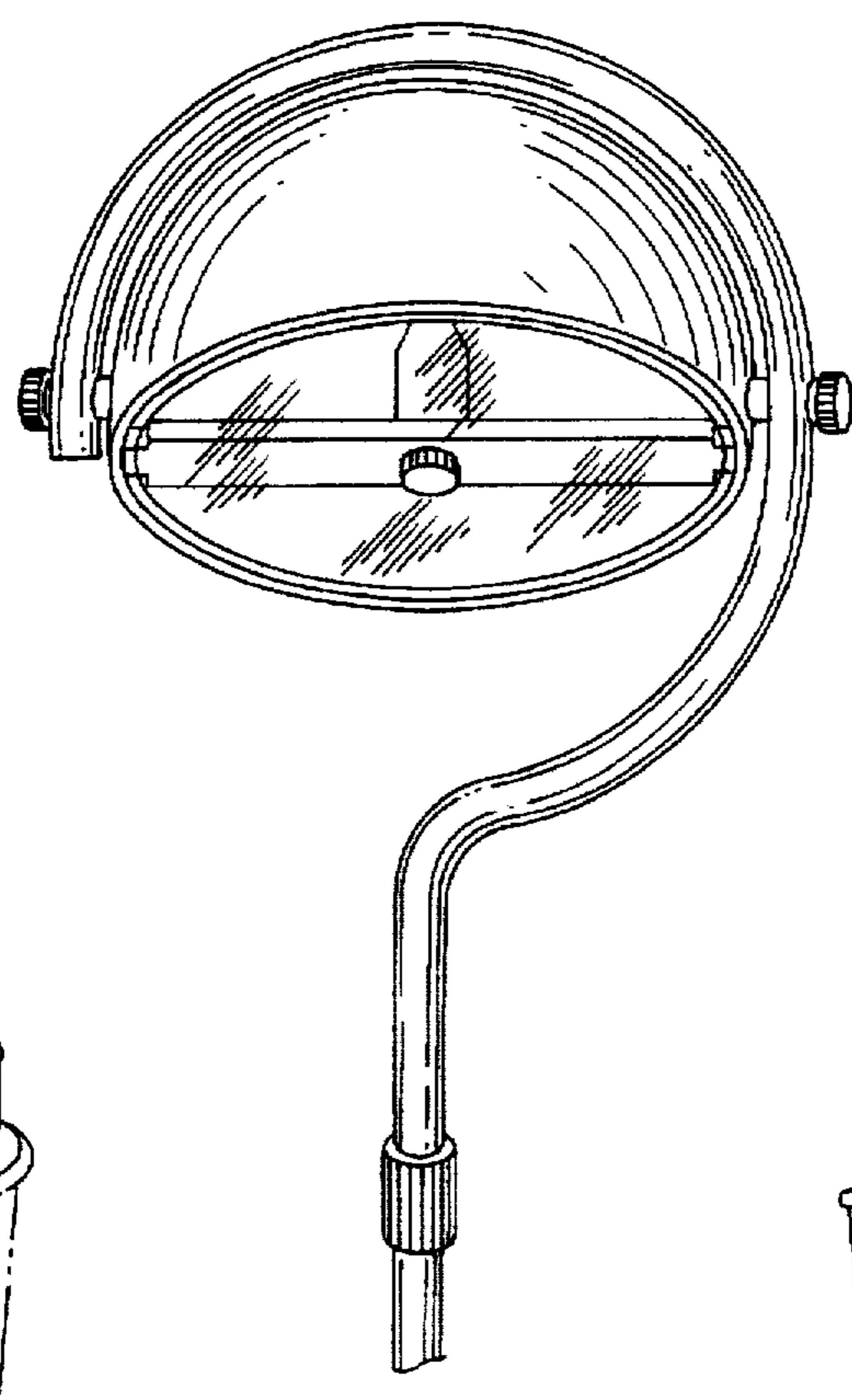


FIG. 3

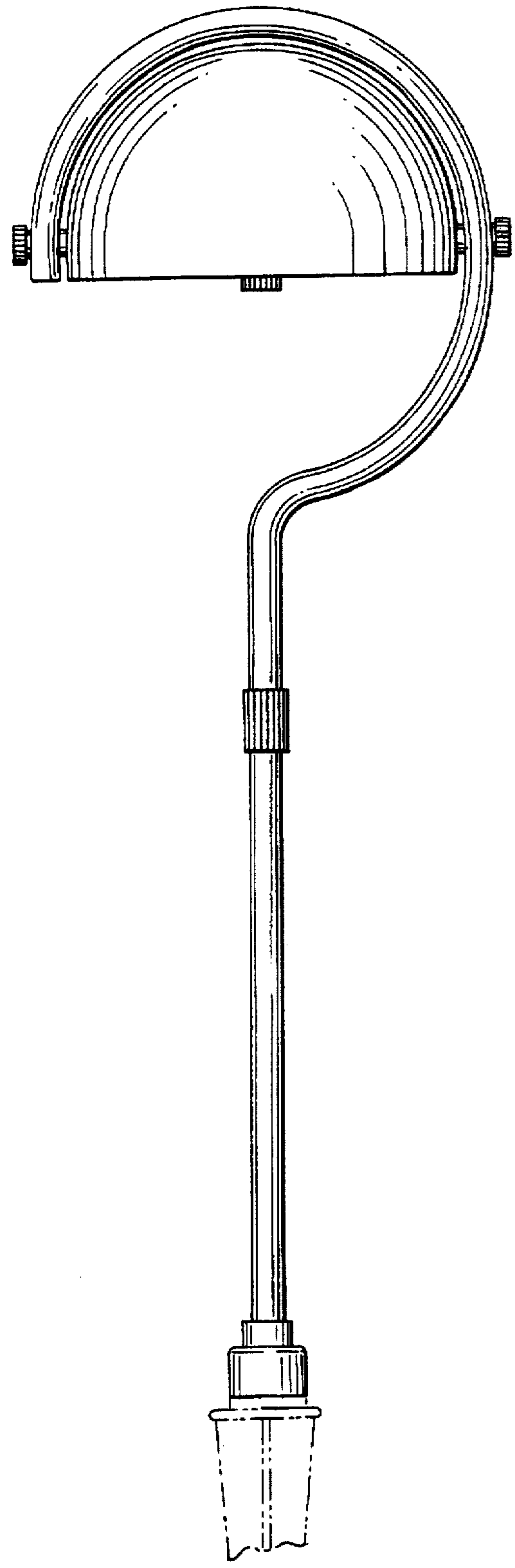


FIG. 4

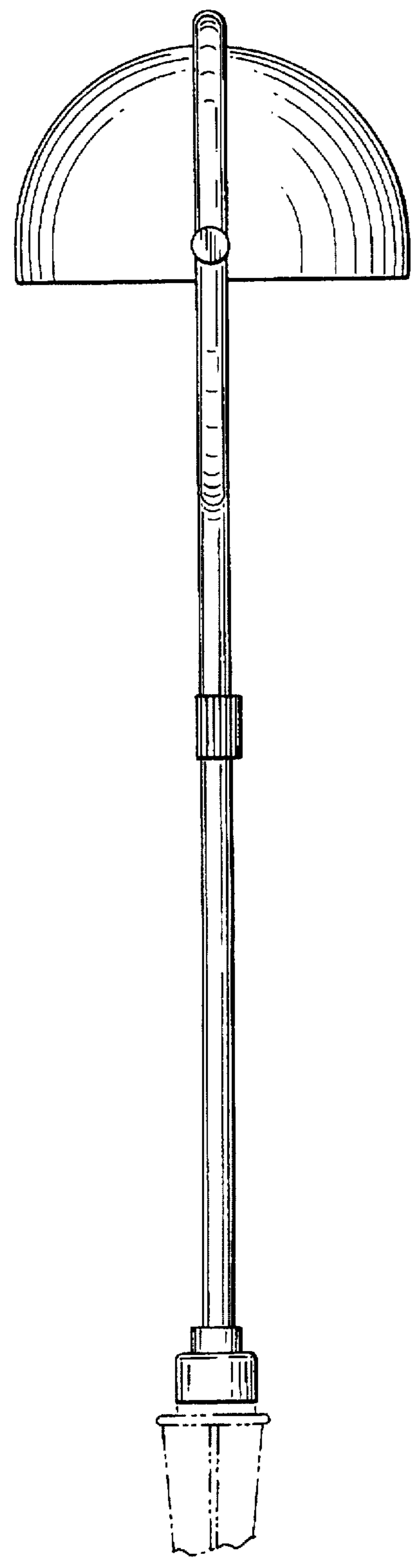


FIG. 5

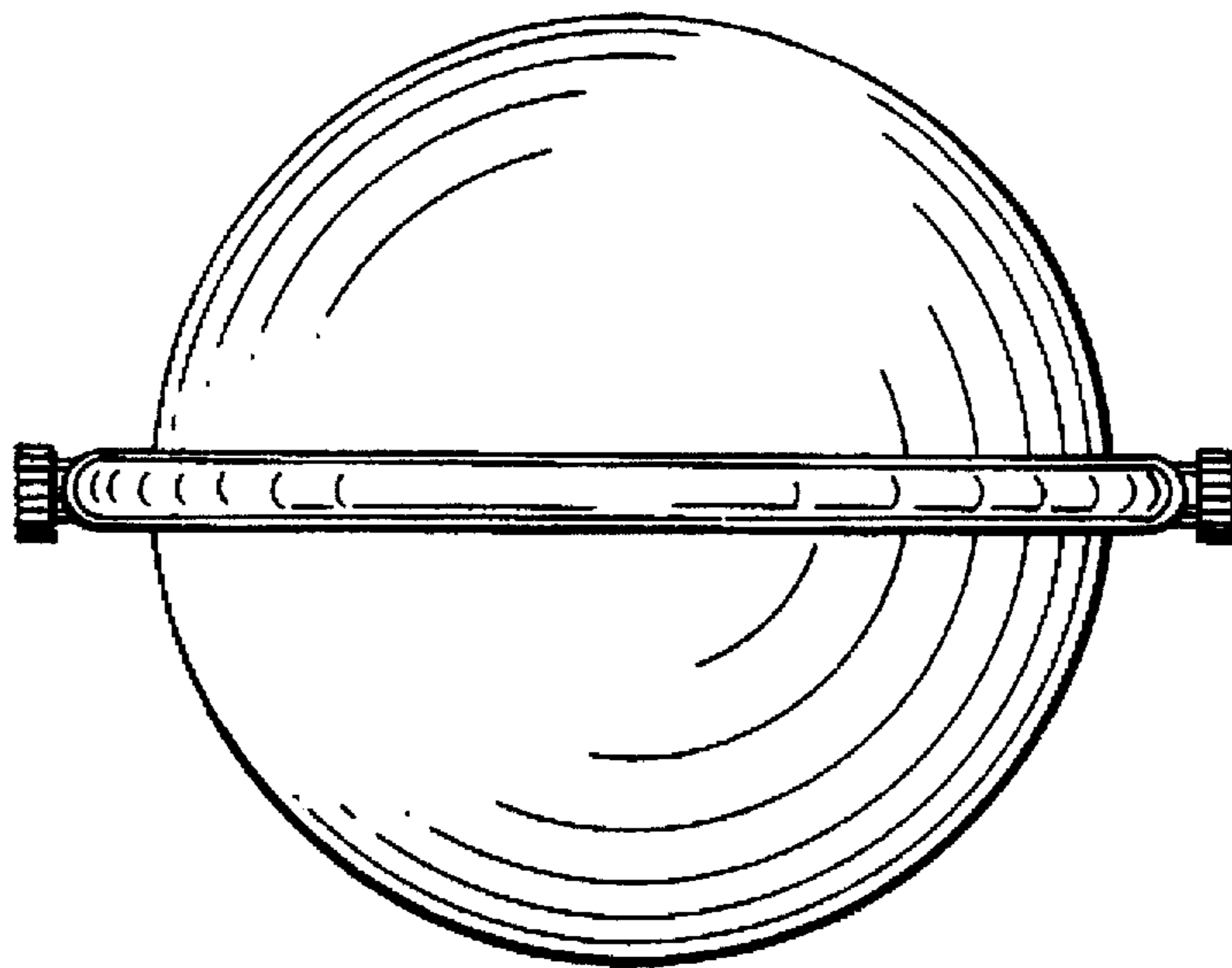


FIG. 6

