



US00D390679S

United States Patent [19] Chang

[11] Patent Number: **Des. 390,679**

[45] Date of Patent: ****Feb. 10, 1998**

[54] **MULTIPURPOSE FLASHLIGHT**

D. 368,543 4/1996 Yuen D26/48
D. 372,549 8/1996 Lo D26/48

[76] Inventor: **Chao-Ling Chang**, No. 88-1, Hsi Yuan Rd., Chung Li City, Tao Yuan Hsien, Taiwan

Primary Examiner—Marcus A. Jackson
Attorney, Agent, or Firm—Morton J. Rosenberg; David I. Klein; Jun Y. Lee

[**] Term: **14 Years**

[57] **CLAIM**

[21] Appl. No.: **69,368**

The ornamental design for a multipurpose flashlight, as shown and described.

[22] Filed: **Apr. 8, 1997**

DESCRIPTION

[51] LOC (6) Cl. **26-02**

[52] U.S. Cl. **D26/38**

[58] Field of Search D26/37-50; 362/157, 362/158, 183-191, 196, 197, 198, 199, 200, 202, 205

FIG. 1 is a perspective of a multipurpose flashlight showing my design;

FIG. 2 is a front elevational view thereof;

FIG. 3 is a rear elevational view thereof;

FIG. 4 is a right side elevational view thereof;

FIG. 5 is a left side elevational view thereof;

FIG. 6 is a top plan view thereof; and,

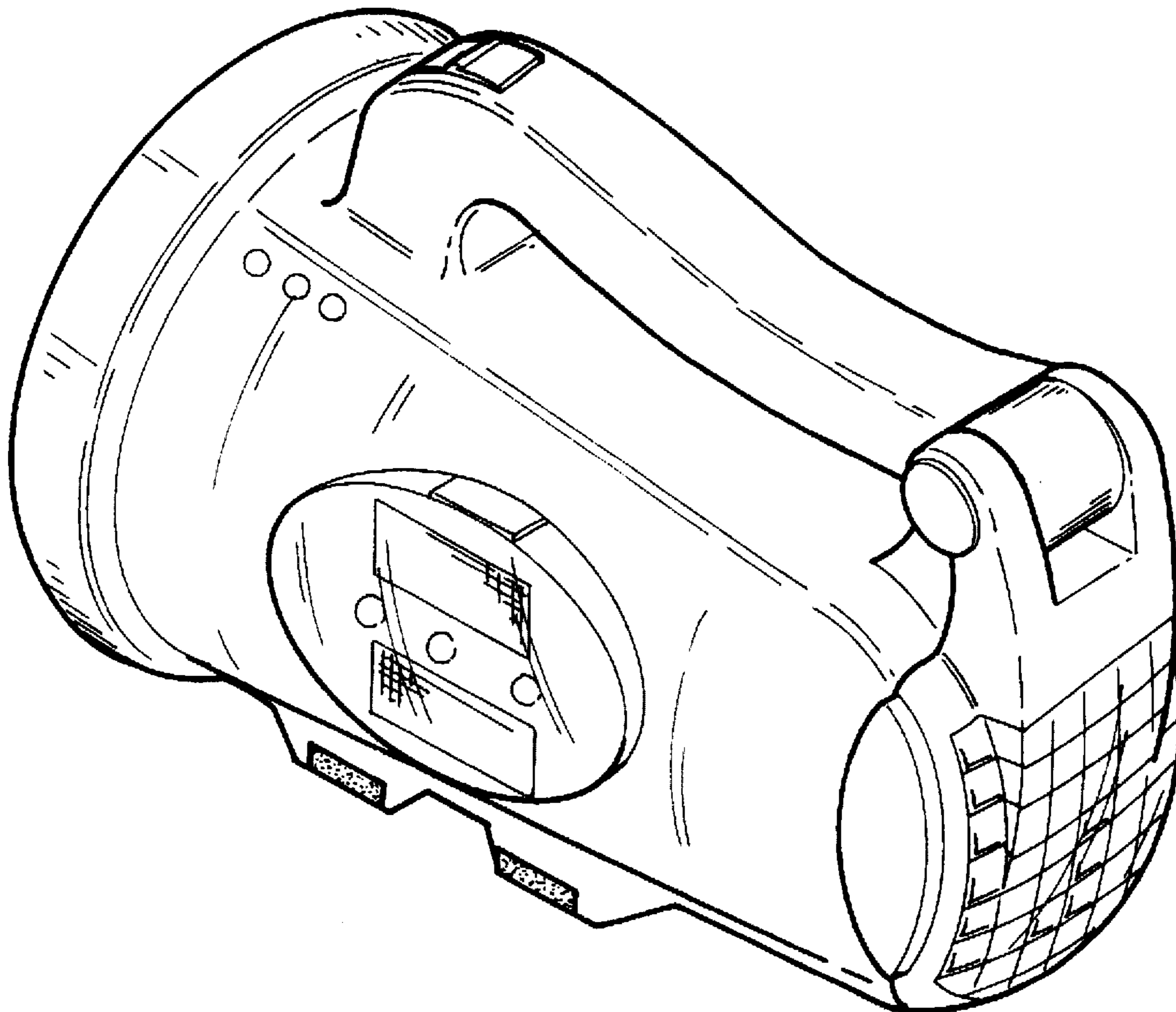
FIG. 7 is a bottom plan view thereof.

[56] **References Cited**

U.S. PATENT DOCUMENTS

D. 231,483 4/1974 Beer D26/48
D. 338,975 8/1993 Yuen D26/48
D. 357,086 4/1995 Poon D26/48

1 Claim, 7 Drawing Sheets



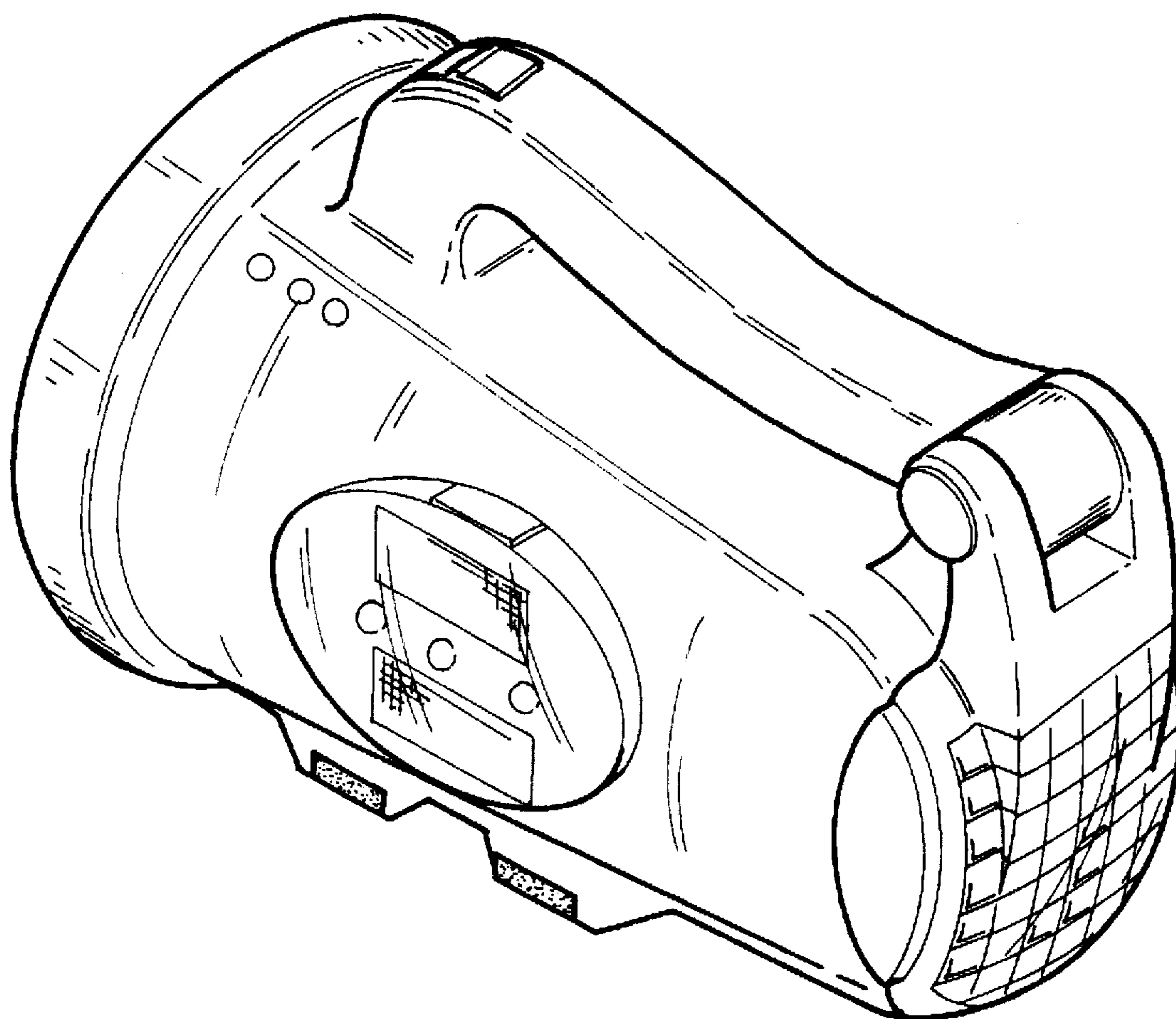


FIG. 1

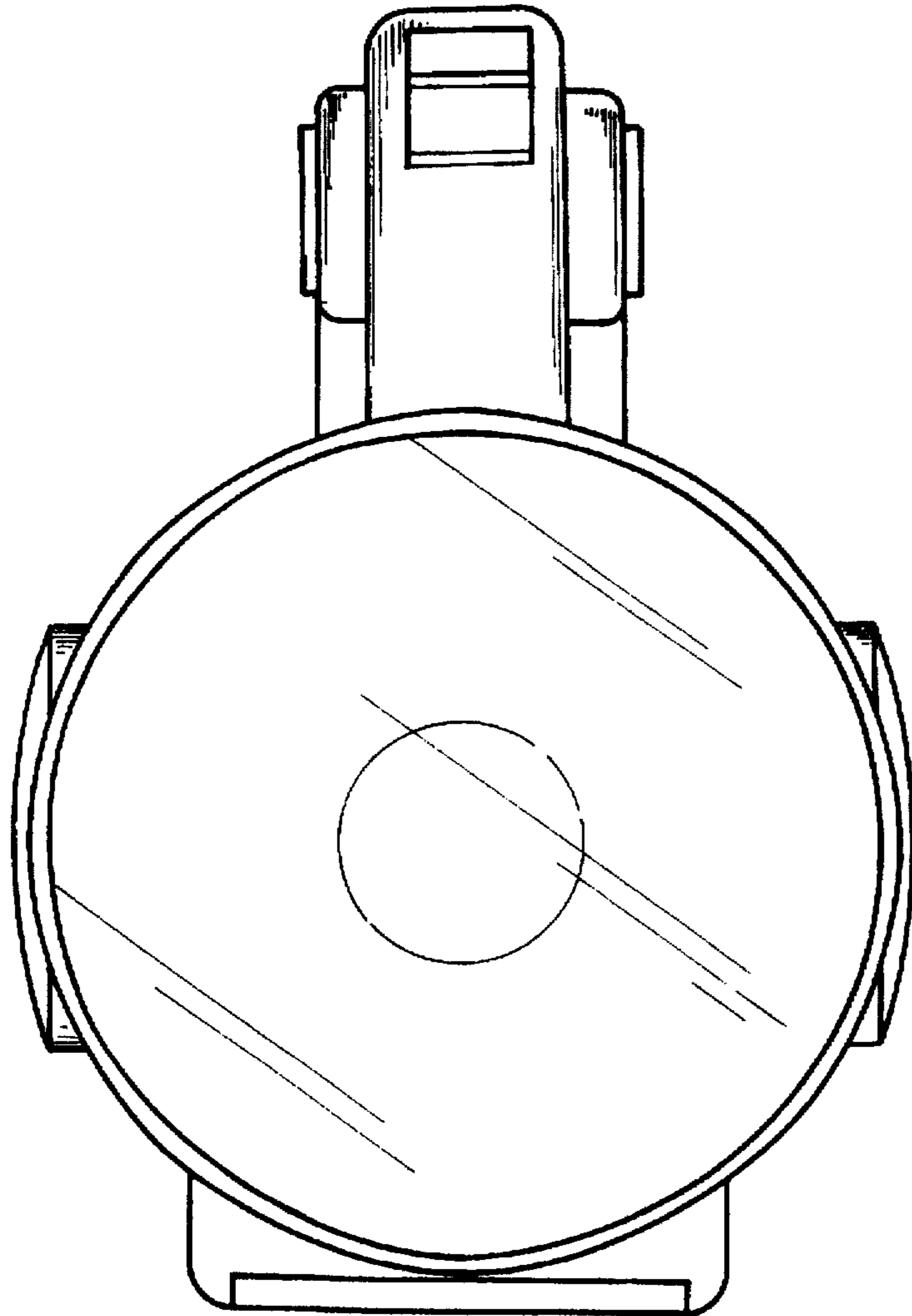


FIG.2

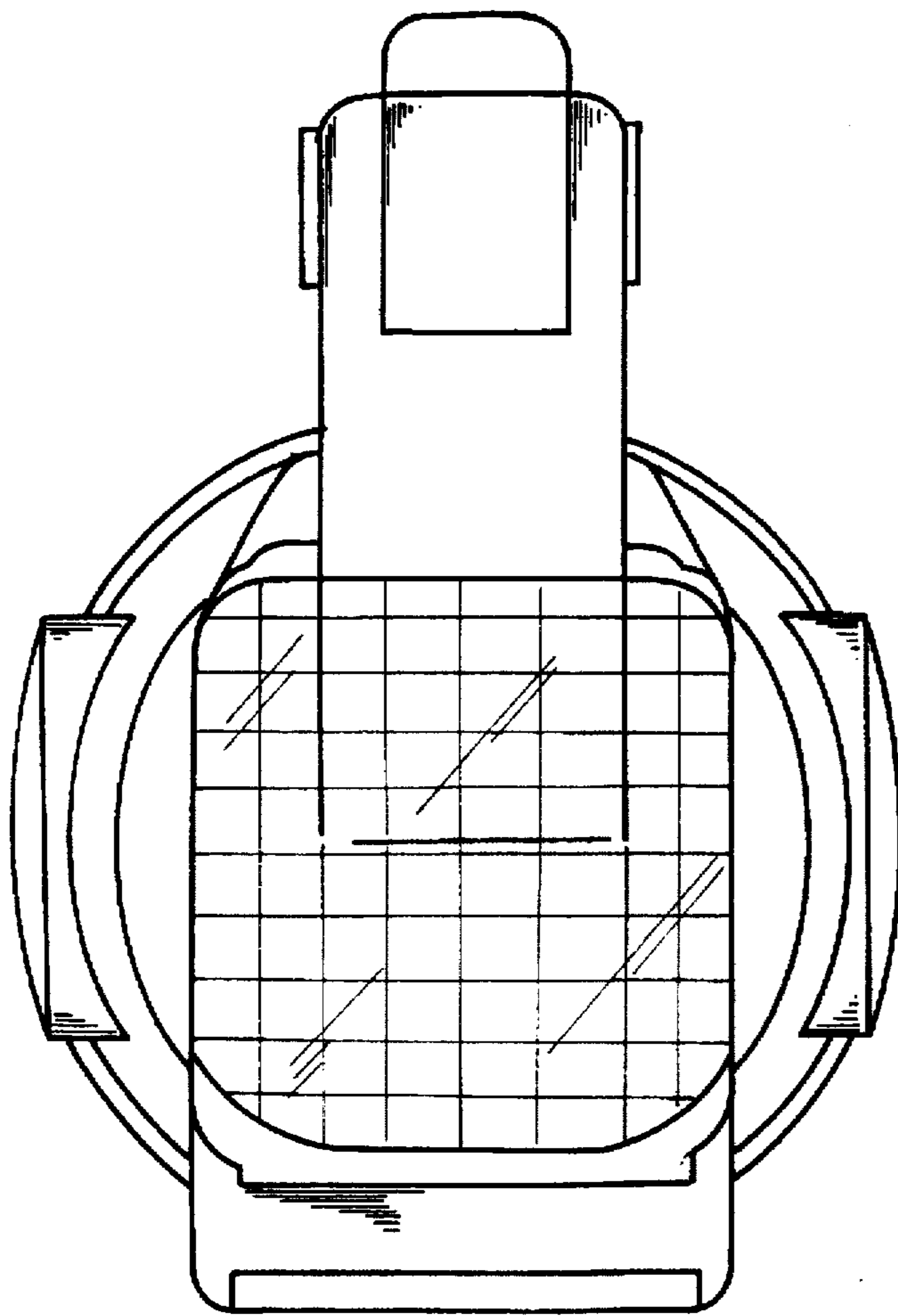


FIG.3

FIG. 4

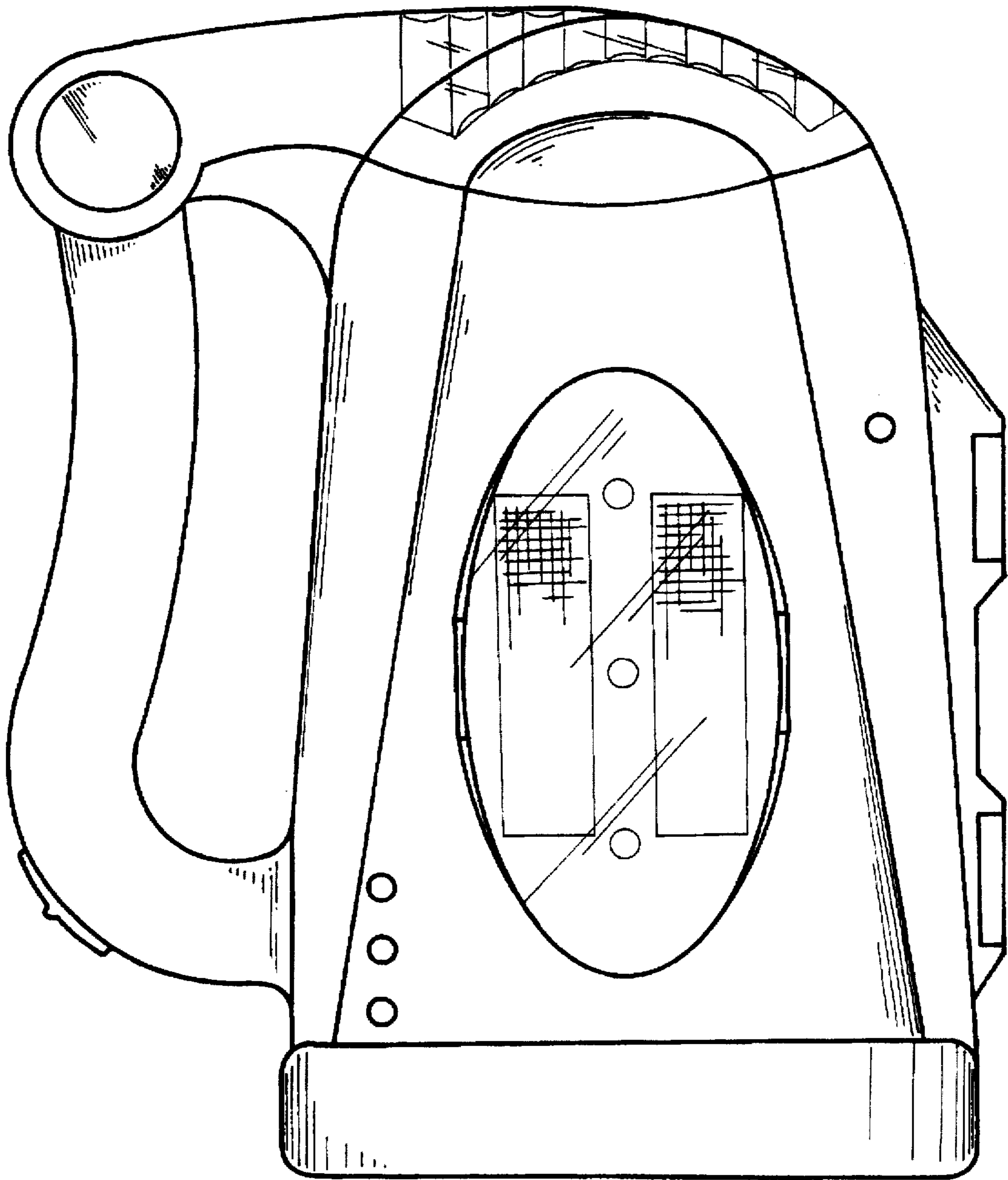


FIG. 5

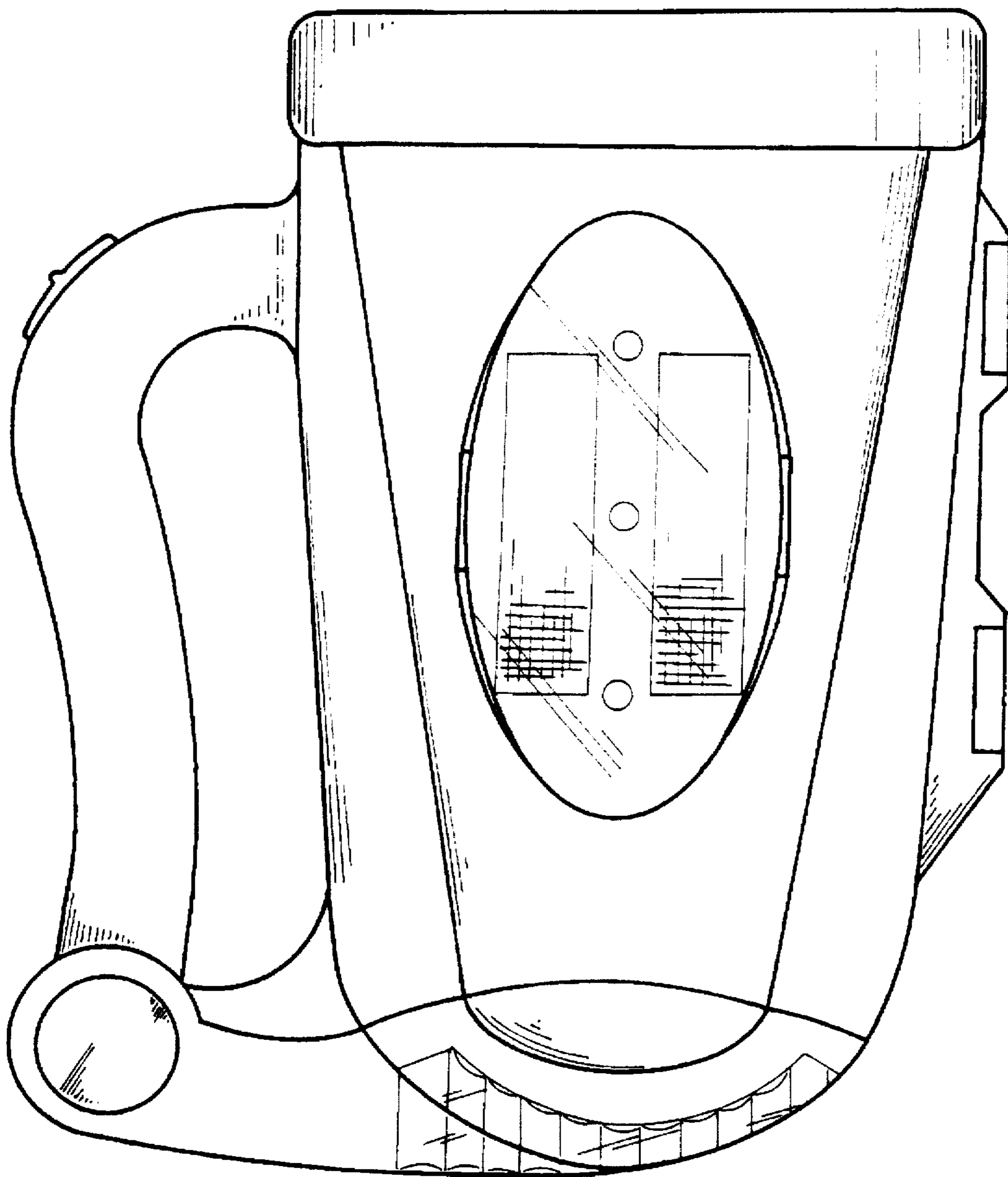


FIG. 6

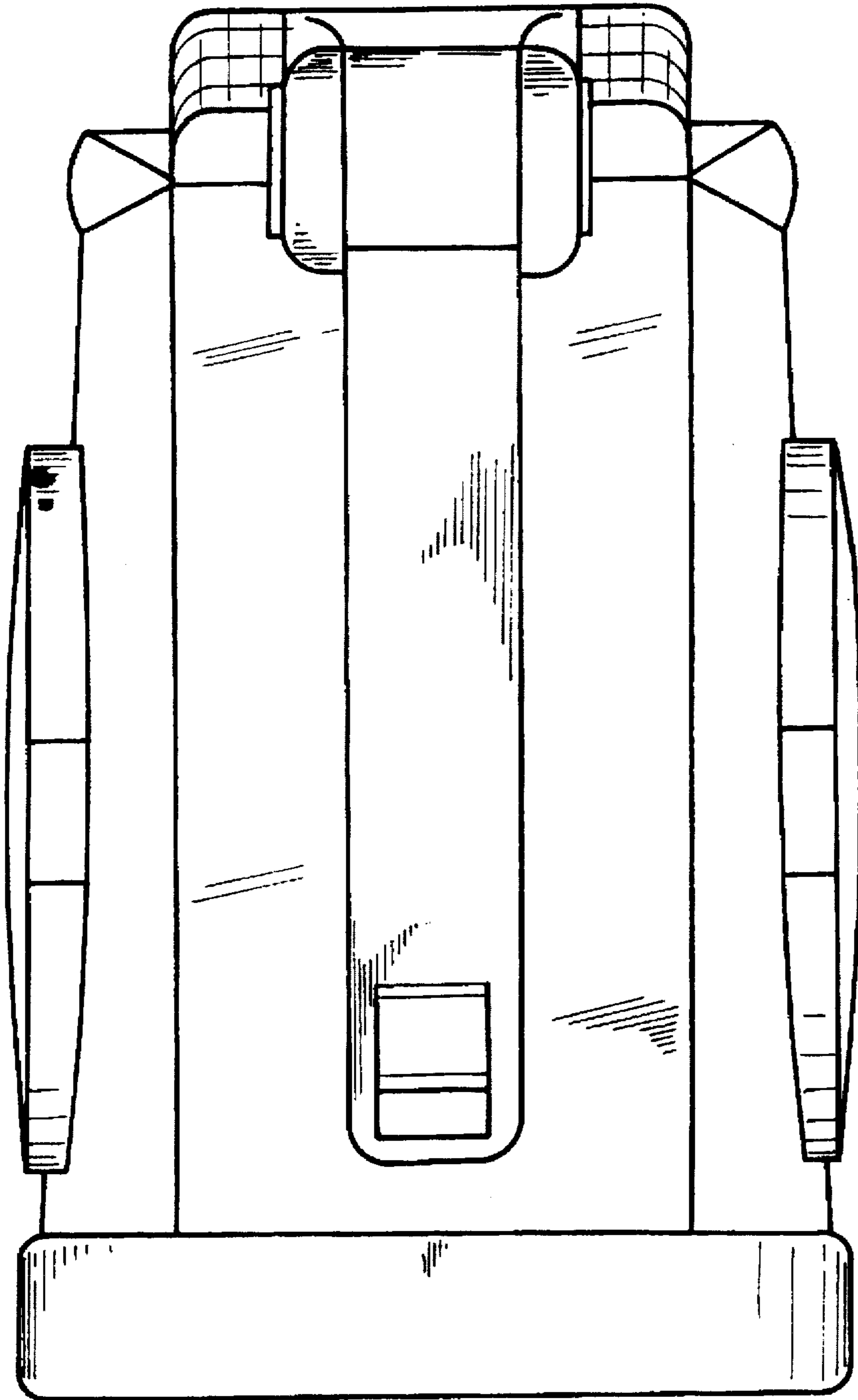


FIG. 7

