

US00D390675S

United States Patent [19] Wilson

[11] Patent Number: **Des. 390,675**
[45] Date of Patent: ****Feb. 10, 1998**

[54] **BIKE LIGHT**

[76] Inventor: **James Michael Wilson, 784-A
Frederica St., Atlanta, Ga. 30306**

[**] Term: **14 Years**

[21] Appl. No.: **70,457**

[22] Filed: **May 8, 1997**

[51] LOC (6) Cl. **26-06**

[52] U.S. Cl. **D26/30**

[58] Field of Search D26/28-36; D10/114,
D10/115; 362/61, 80, 80.1, 82, 83, 83.3,
269, 362

[56] **References Cited**

U.S. PATENT DOCUMENTS

D. 81,939	9/1930	Rainey	D26/30
D. 112,965	1/1939	Sauer	D26/30
D. 115,802	7/1939	Soderberg	D26/30
D. 115,949	8/1939	Brady	D26/30

D. 119,551	3/1940	Jossenberger et al.	D26/30
D. 126,587	4/1941	Zapidus et al.	D26/30
D. 139,701	12/1944	Benoit	D26/30
D. 153,821	5/1949	Pedersen et al.	D26/30
D. 284,515	7/1986	Beard et al.	D26/30
D. 313,661	1/1991	Kang	D26/30

Primary Examiner—Marcus A. Jackson

[57] **CLAIM**

The ornamental design for a bike light, as shown.

DESCRIPTION

FIG. 1 is a front plan view of the bike light of the present invention, with the cord broken away to indicate indeterminate length;

FIG. 2 is a back plan view of the bike light of FIG. 1;

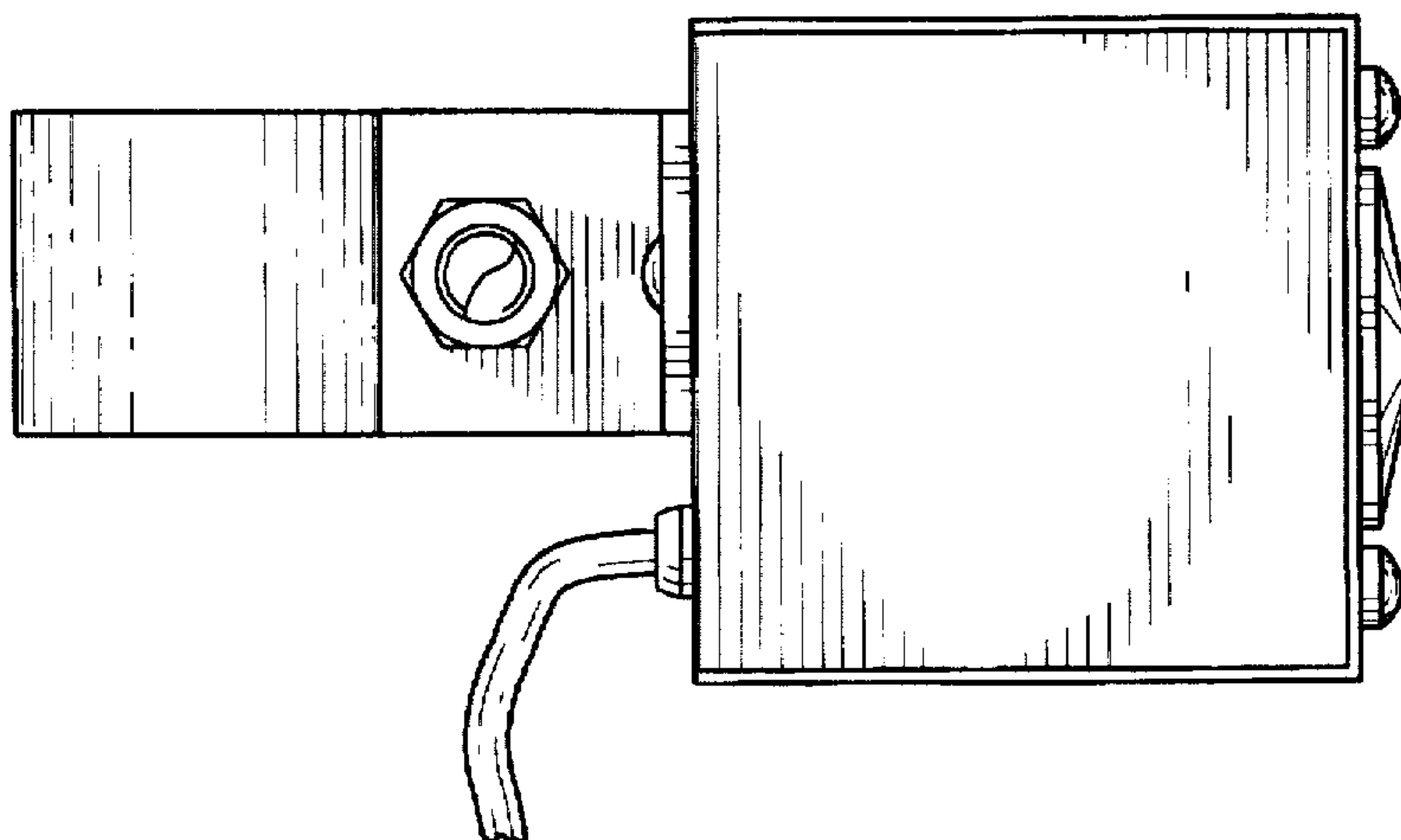
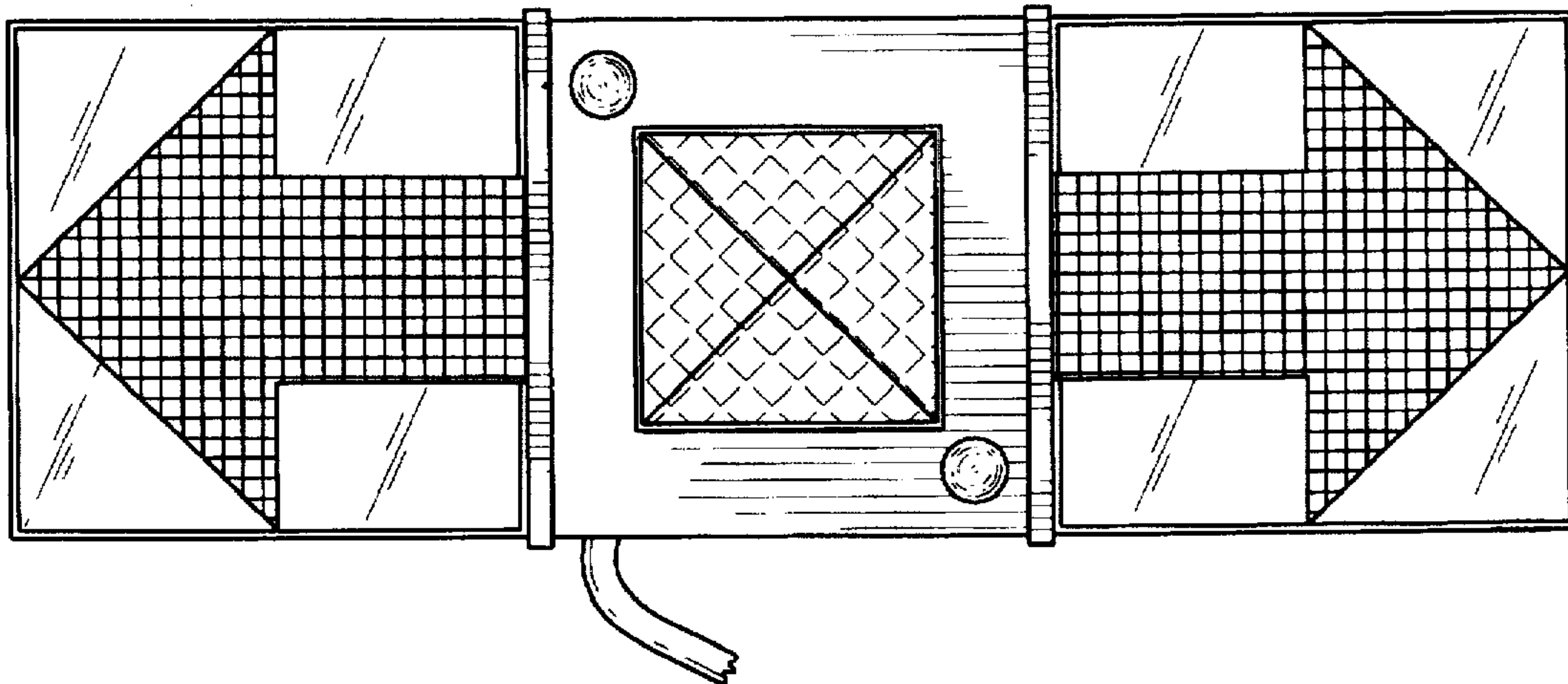
FIG. 3 is a left side plan view of the bike light of FIG. 1;

FIG. 4 is a right side plan view of the bike light of FIG. 1;

FIG. 5 is a top plan view of the bike light of FIG. 1; and,

FIG. 6 is a bottom plan view of the bike light of FIG. 1.

1 Claim, 3 Drawing Sheets



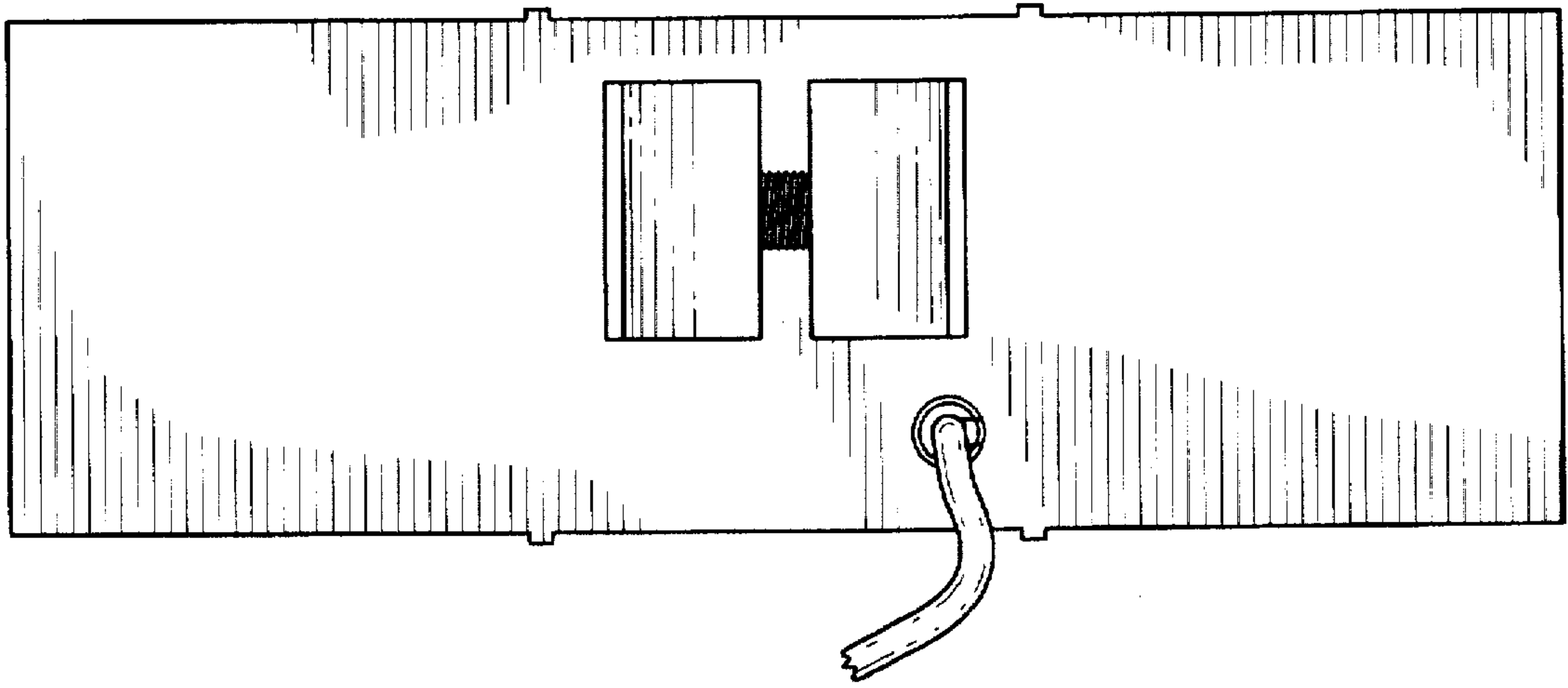


Fig. 2

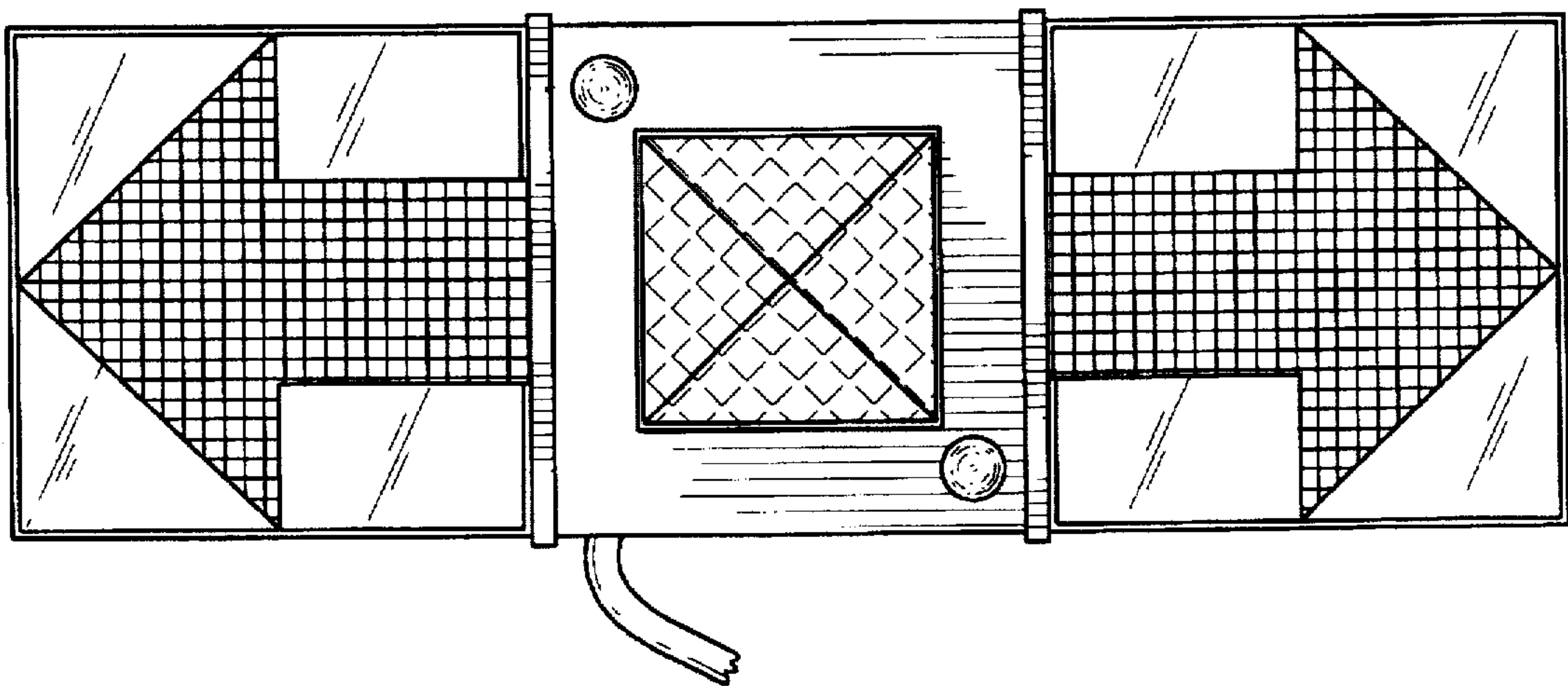


Fig. 1

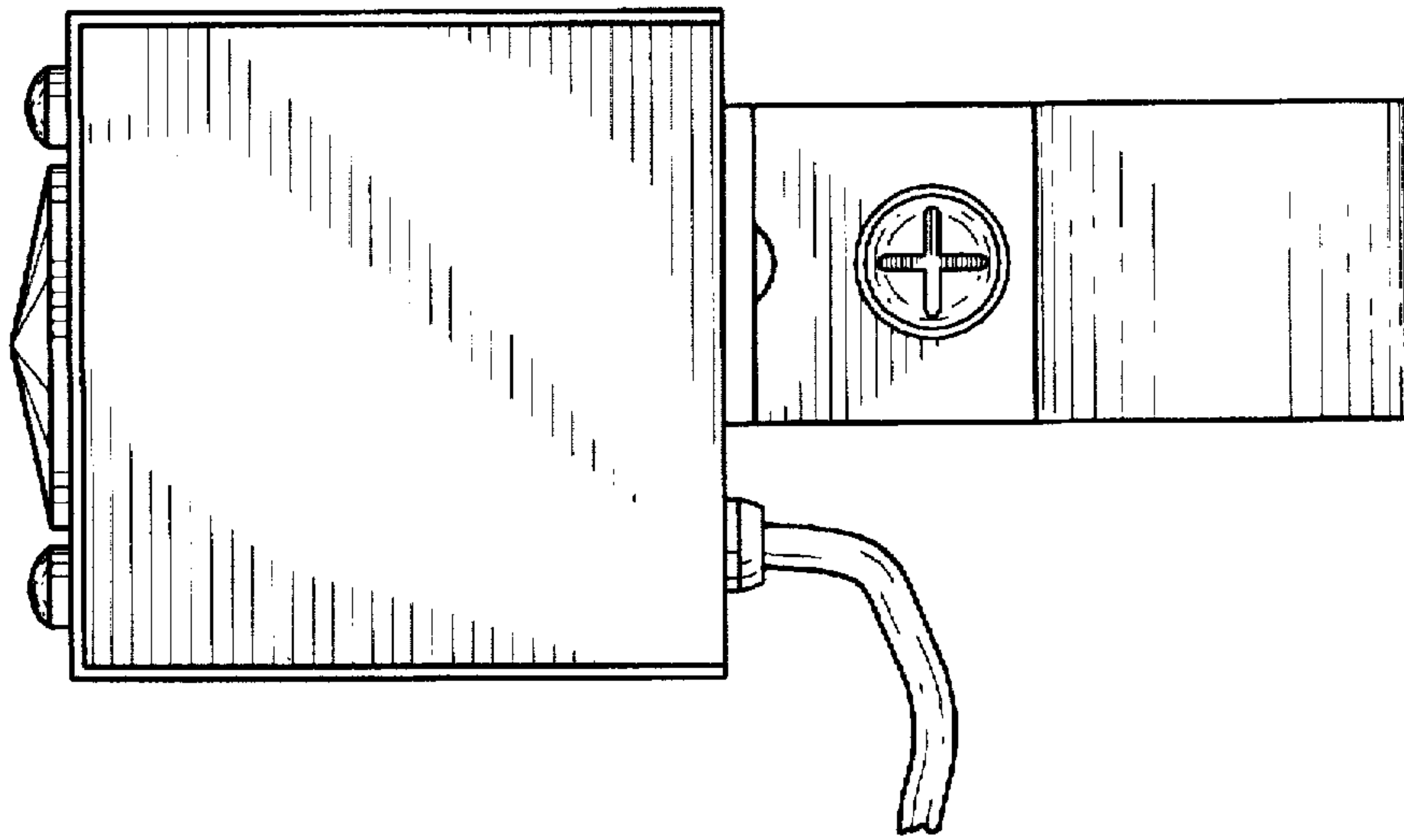


Fig. 4

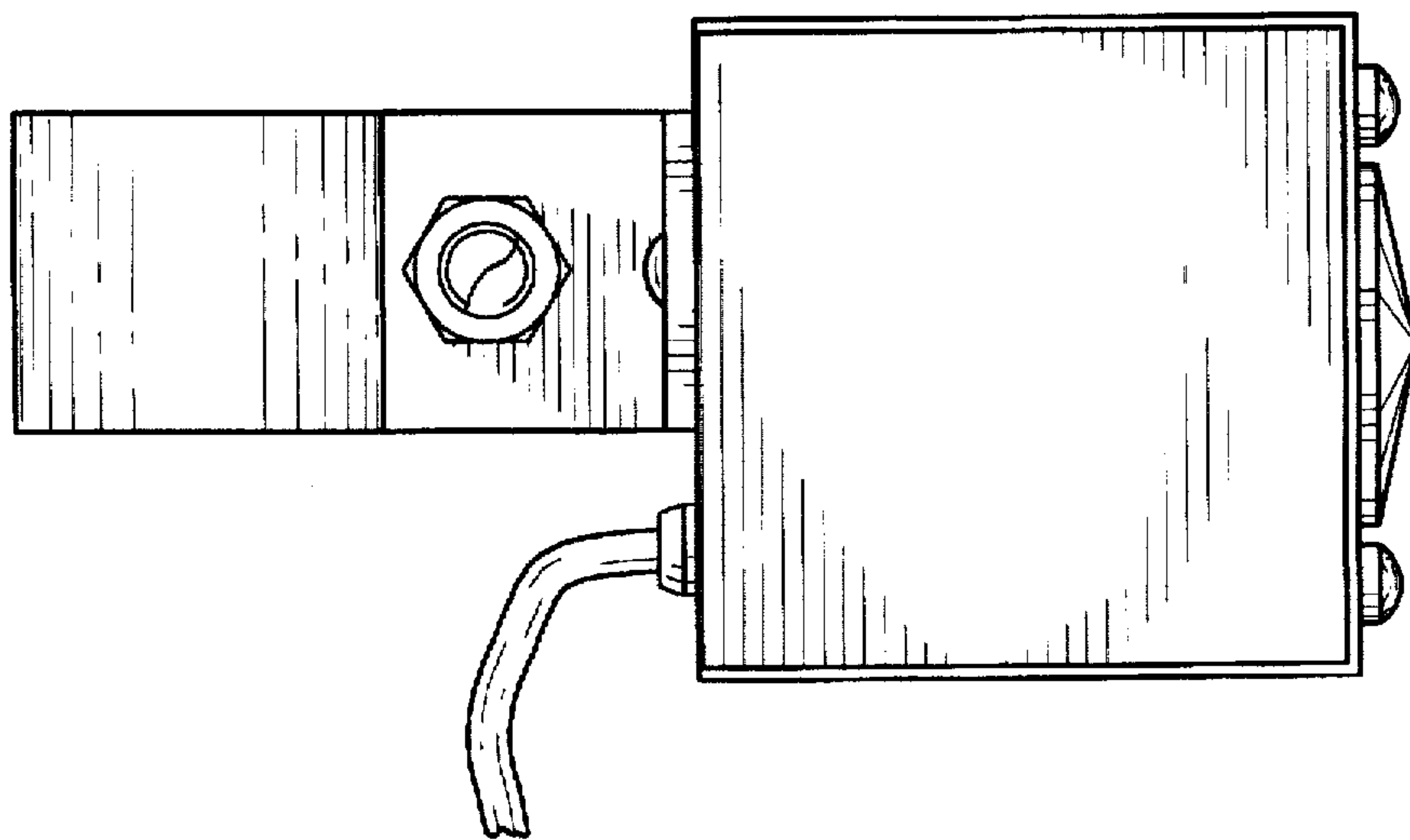


Fig. 3

Fig. 5

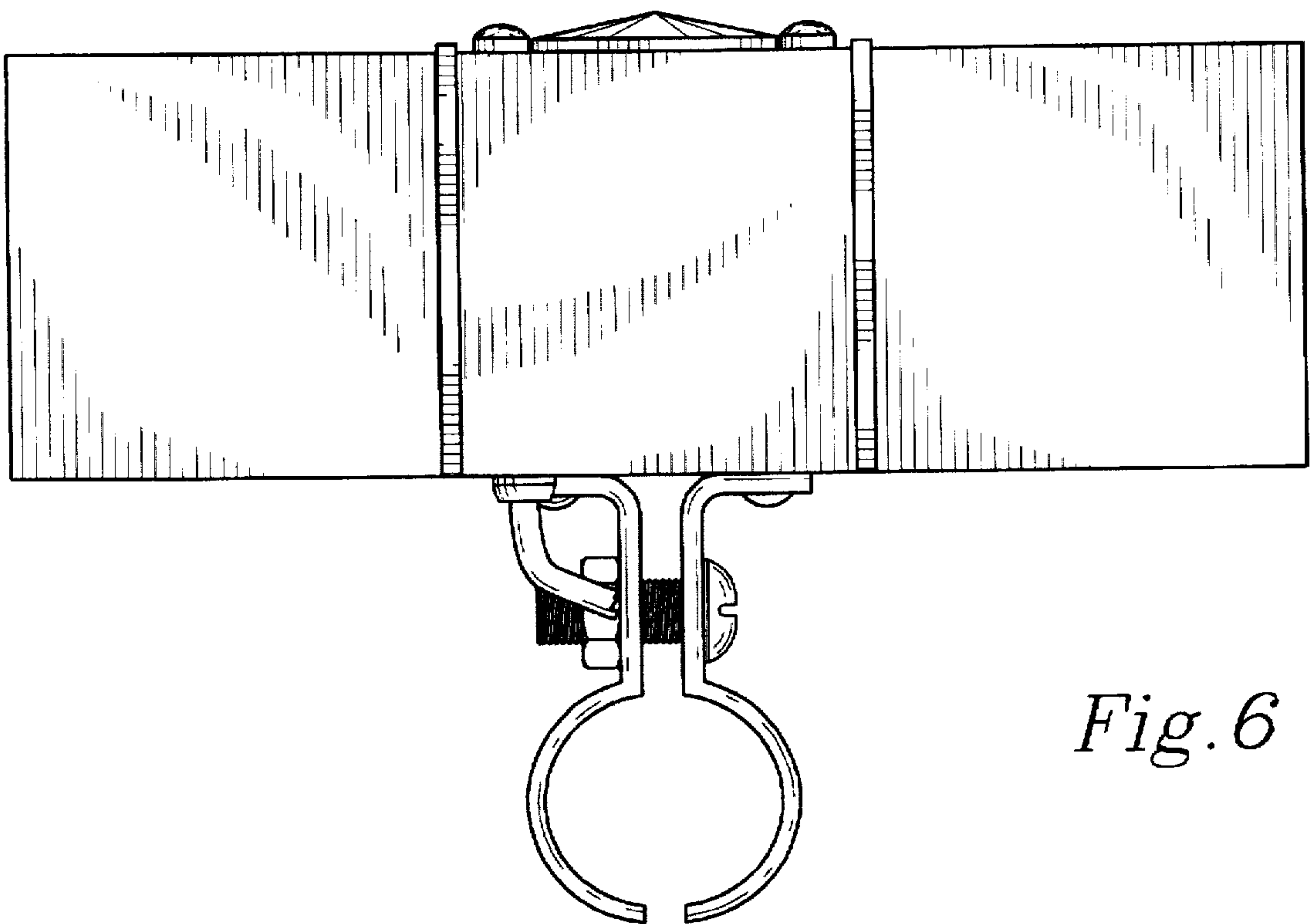
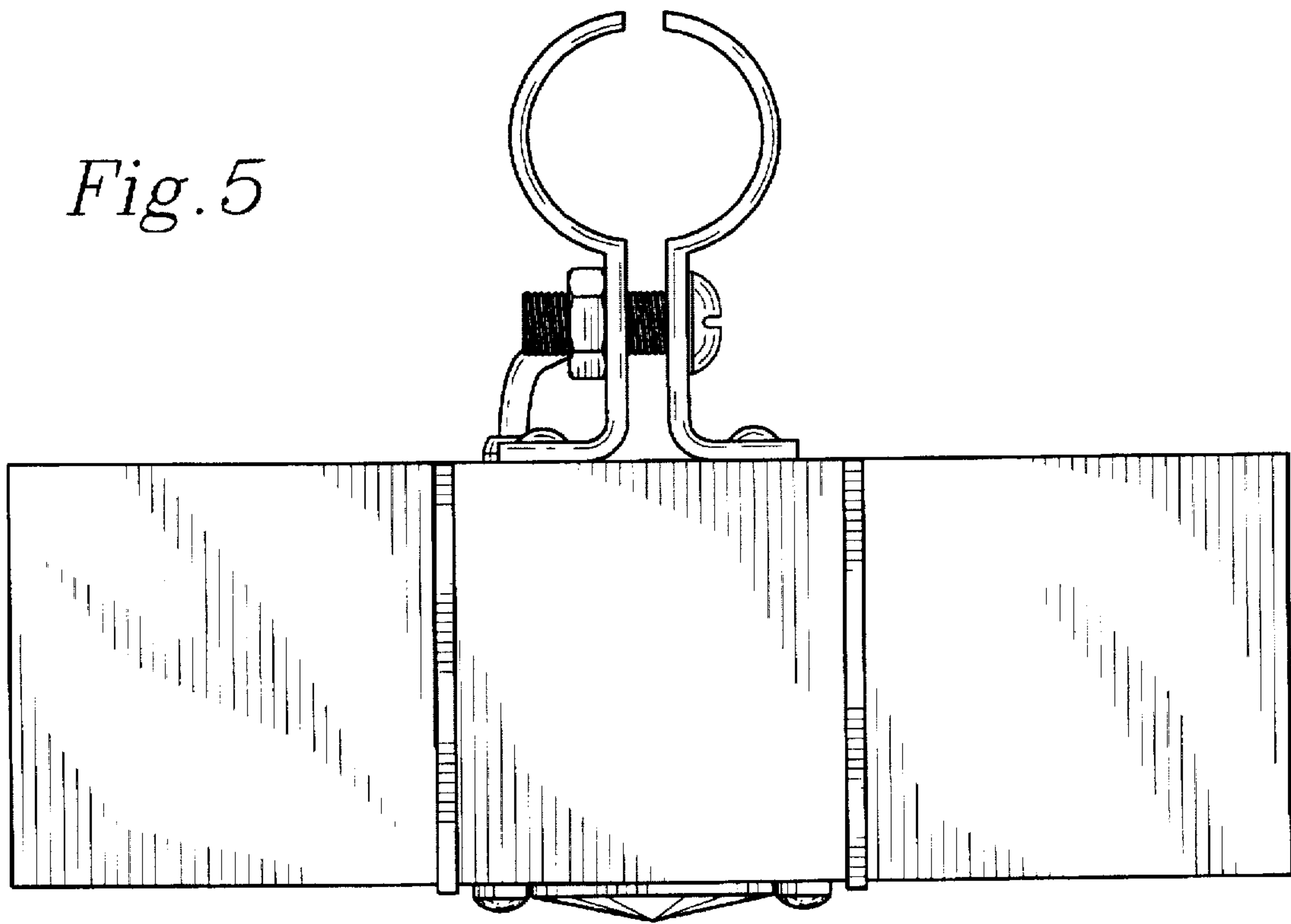


Fig. 6