



US00D390672S

United States Patent [19] Seid

[11] Patent Number: **Des. 390,672**
[45] Date of Patent: ****Feb. 10, 1998**

[54] **DOCK LIGHT**

D. 337,389 7/1993 Levin et al. D26/2
D. 379,538 5/1997 Gallant D26/2

[75] Inventor: **Barre Seid, Chicago, Ill.**

Primary Examiner—Marcus A. Jackson
Attorney, Agent, or Firm—Irwin C. Alter

[73] Assignee: **Tri-Lite, Inc., Chicago, Ill.**

[**] Term: **14 Years**

[57] **CLAIM**

[21] Appl. No.: **70,429**

The ornamental design of the dock light, as shown and described.

[22] Filed: **May 7, 1997**

DESCRIPTION

[51] LOC (6) Cl. **26-04**

[52] U.S. Cl. **D26/2**

[58] Field of Search D26/1, 2, 3; 313/111,
313/113, 315, 318; 362/326, 327, 328,
329, 330-340

FIG. 1 is a perspective view of the dock light, with the broken line showing for illustrative purposes only and forming no part of the claimed design;

FIG. 2 is a bottom view of the dock light;

FIG. 3 is a side elevational view of the dock light;

FIG. 4 is a rear view of FIG. 3;

FIG. 5 is a side elevational view of the dock light with it resting on its front end; and,

FIG. 6 is a side elevational view of FIG. 5.

[56] **References Cited**

U.S. PATENT DOCUMENTS

D. 253,195 10/1979 Henkel et al. D26/2
D. 281,355 11/1985 Fraley et al. D26/2
D. 326,100 5/1992 Vrancart et al. D26/2

1 Claim, 6 Drawing Sheets

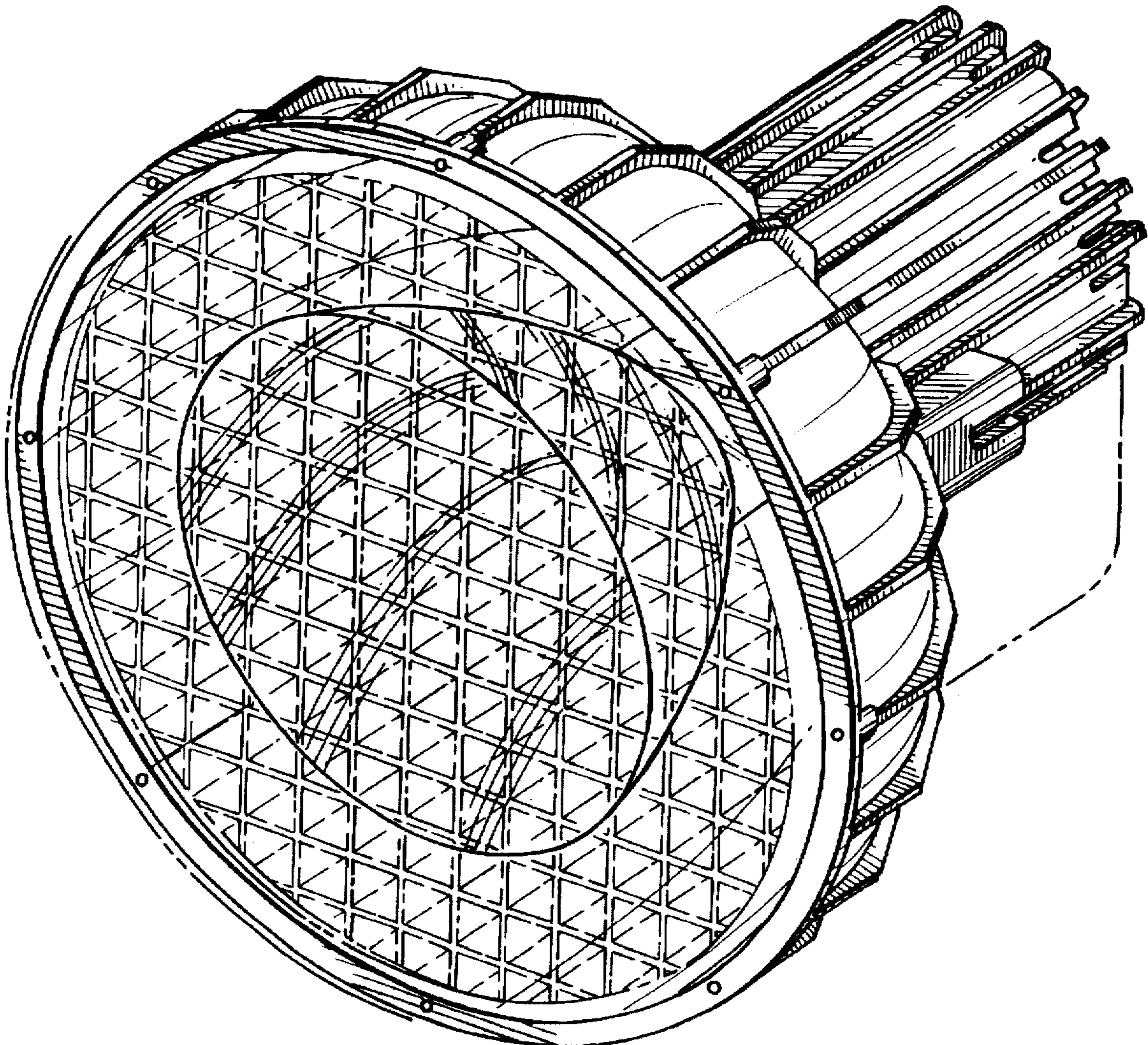


FIG. 1

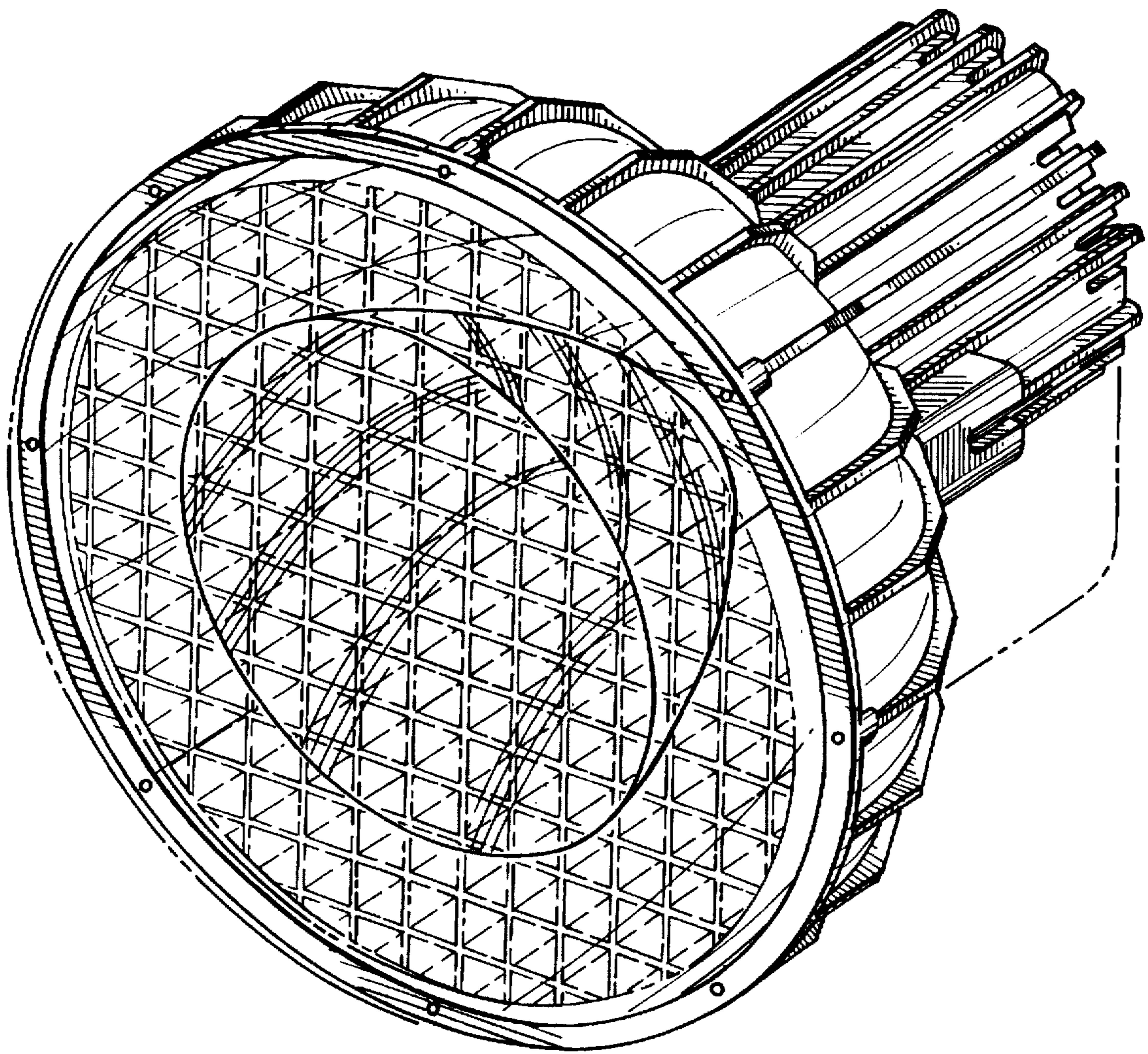


FIG. 2

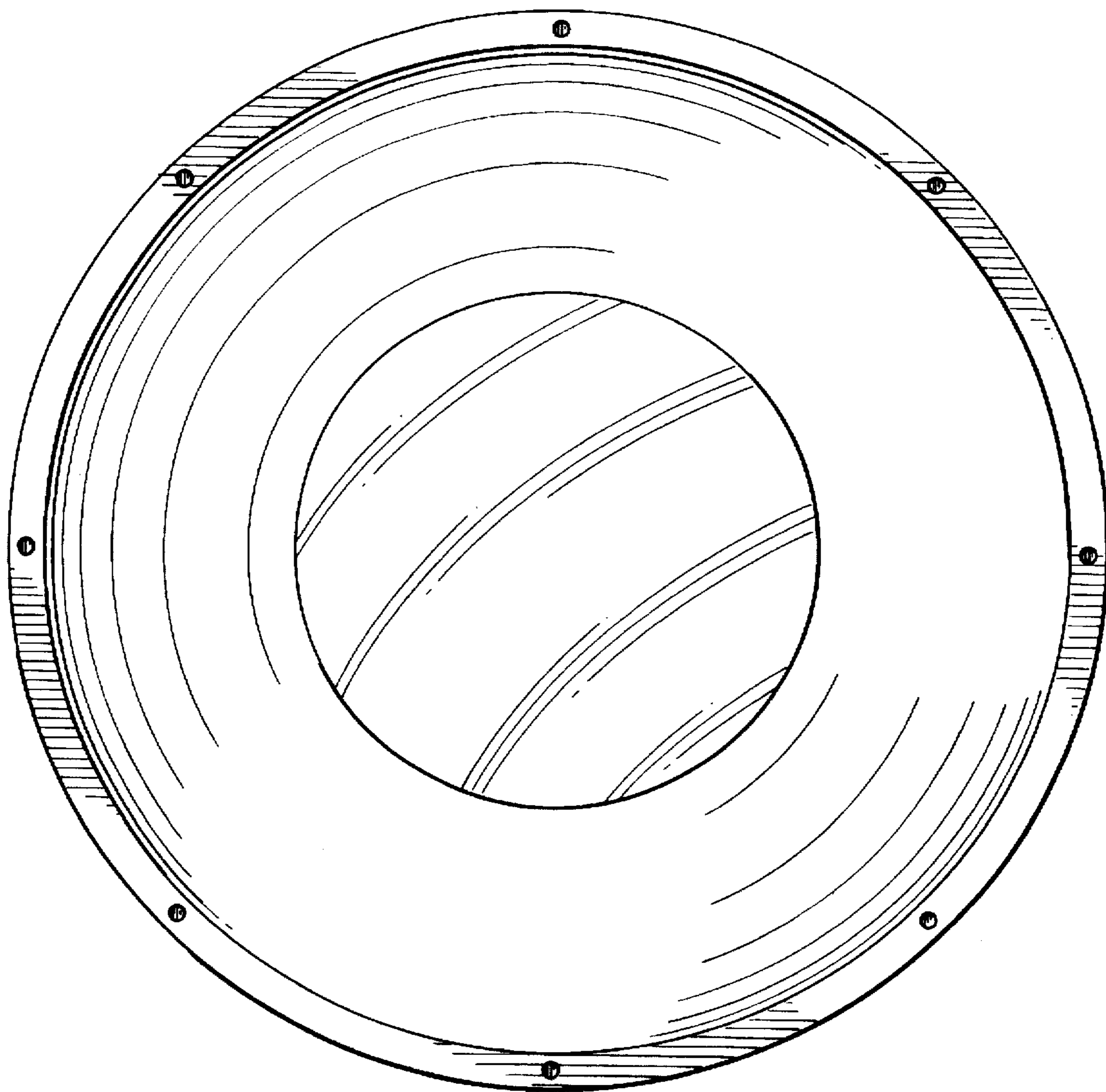


FIG. 3

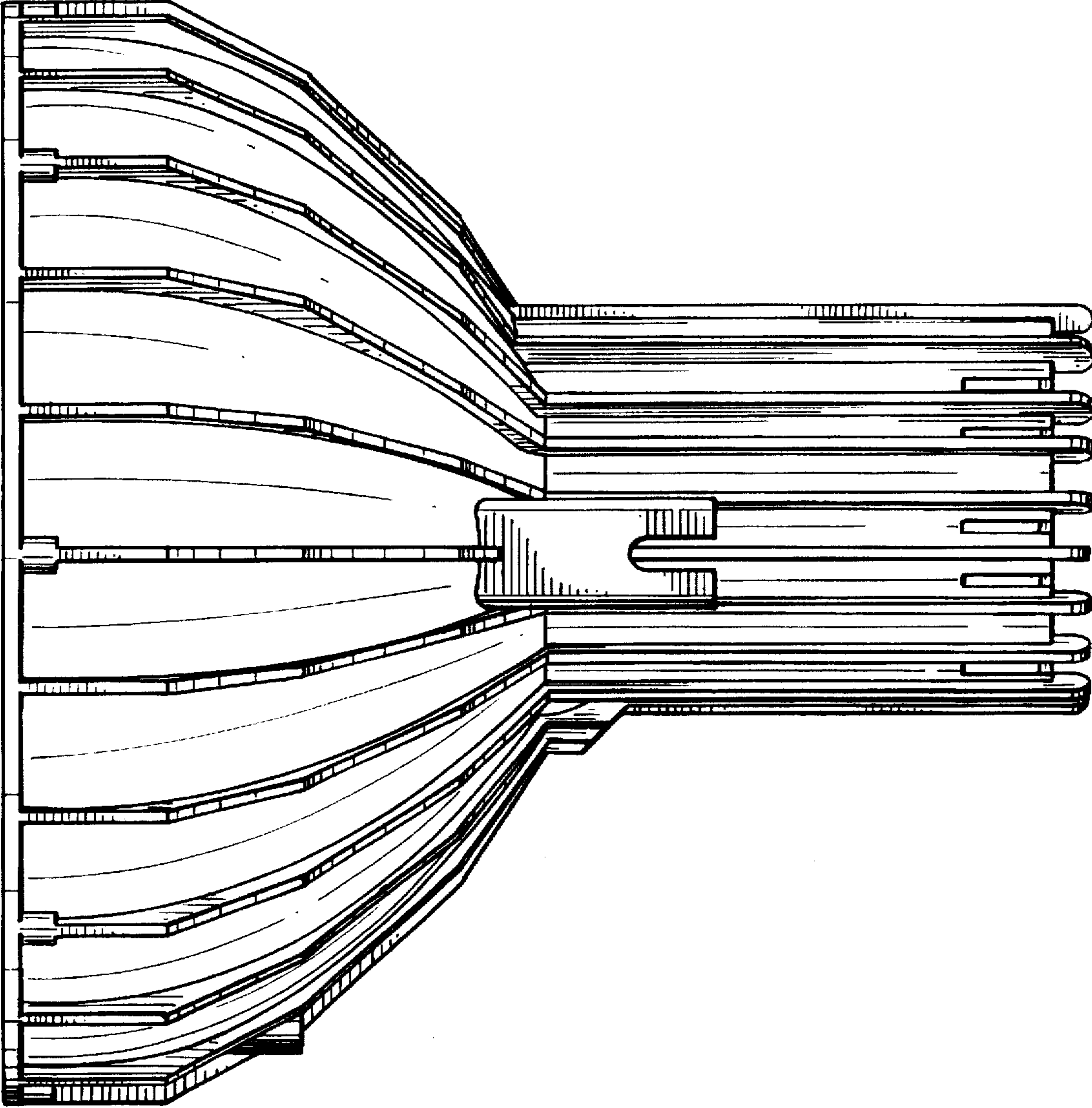


FIG. 4

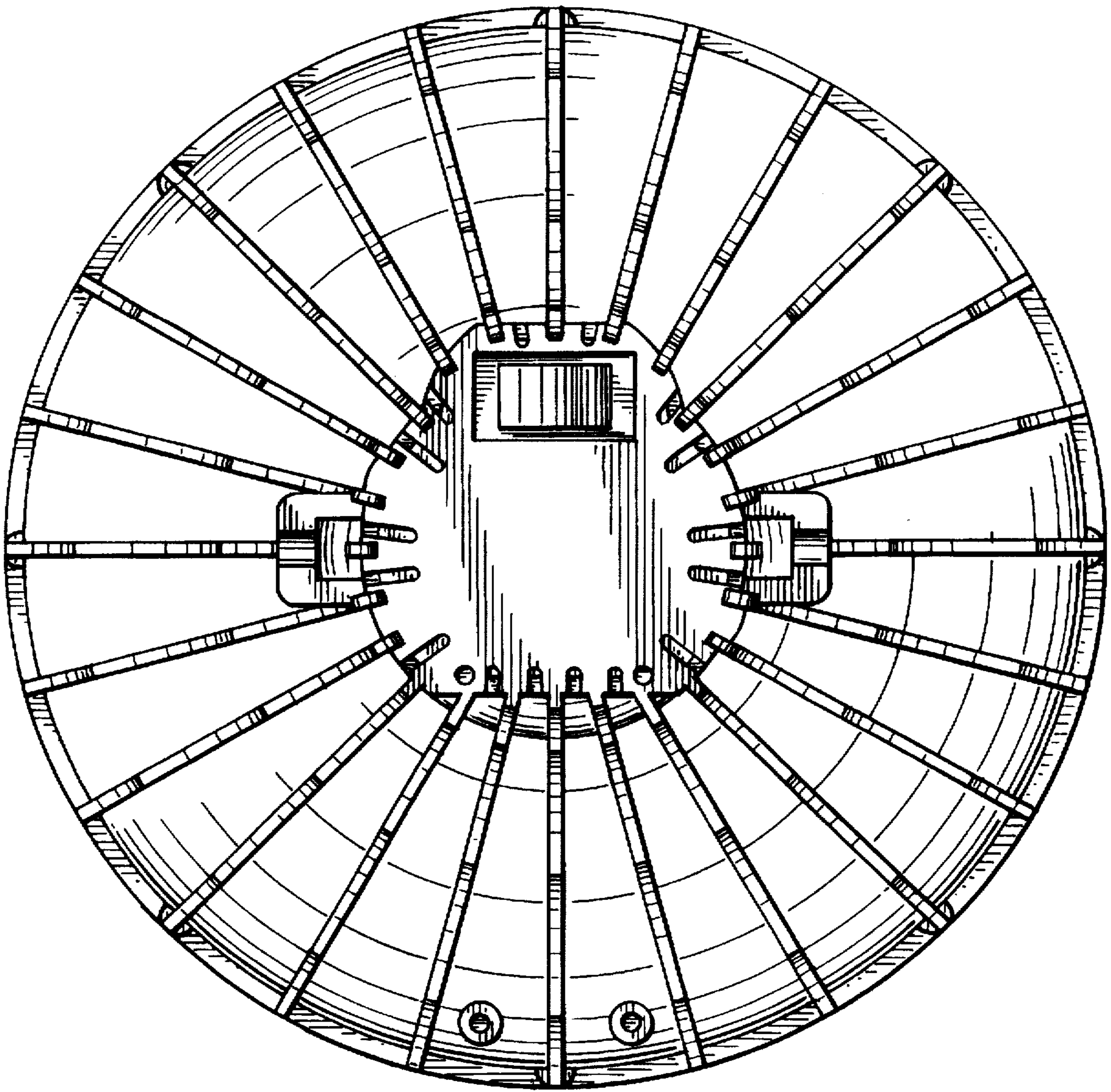


FIG. 5

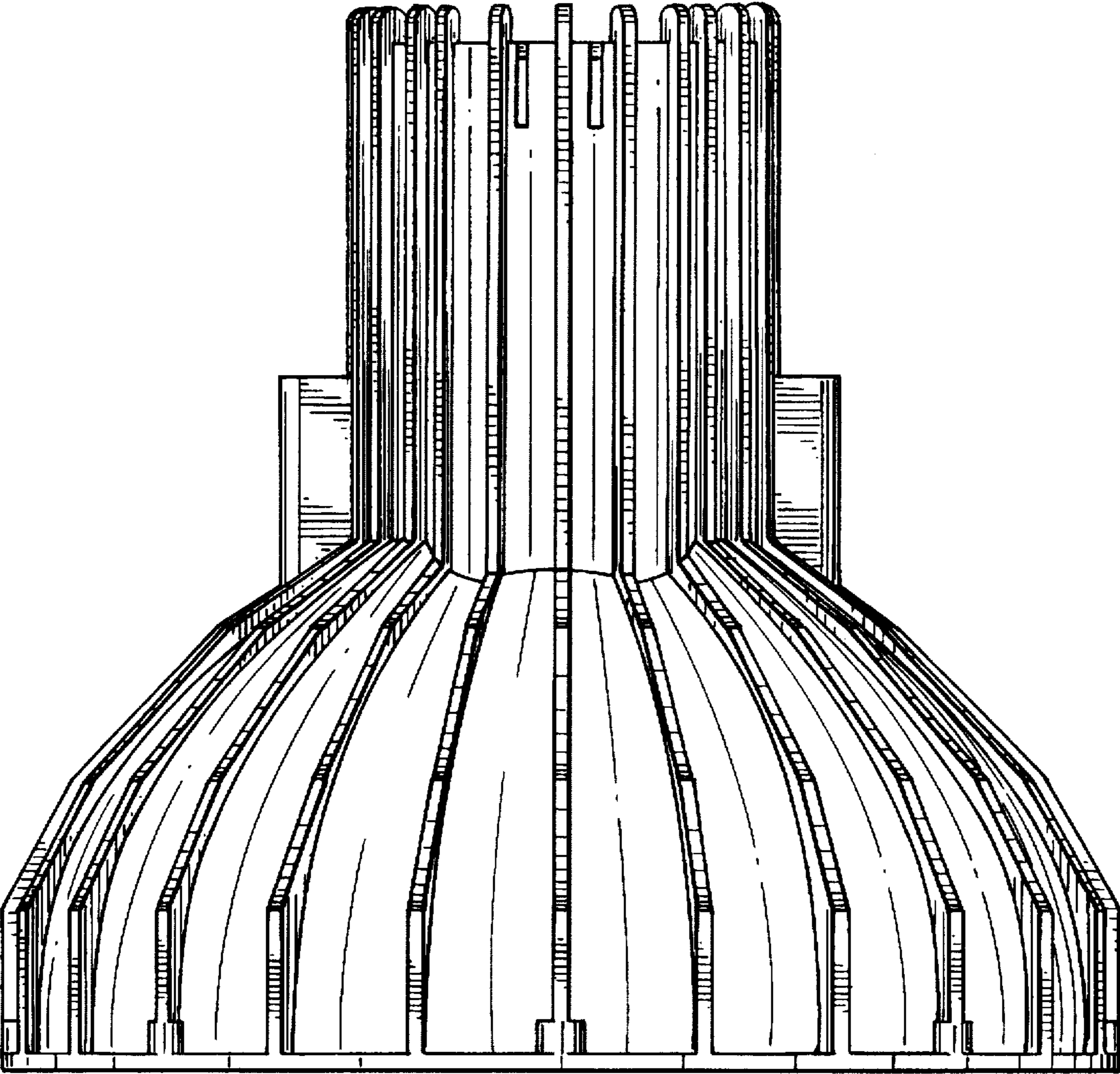


FIG. 6

