



US00D390670S

United States Patent [19]
Keating et al.

[11] **Patent Number: Des. 390,670**
[45] **Date of Patent: **Feb. 10, 1998**

[54] **SUPPORT BRACE**

2,882,564 4/1959 Couse et al. 52/282.1
5,363,616 11/1994 Hernandez 52/281

[75] **Inventors: Stephen Keating, Toronto; Neal C. Gollob, Waterloo, both of Canada**

Primary Examiner—Doris Clark
Attorney, Agent, or Firm—Bereskin & Parr

[73] **Assignee: Roller Drome, LLC, Las Vegas, Nev.**

[**] **Term: 14 Years**

[57] **CLAIM**

The ornamental design for a support brace, as shown.

[21] **Appl. No.: 58,807**

DESCRIPTION

[22] **Filed: Aug. 23, 1996**

[30] **Foreign Application Priority Data**

FIG. 1 is a front right side perspective view of a support brace in accordance with the present invention;

Feb. 23, 1996 [CA] Canada 1996-0409

FIG. 2 is a left side view of the support brace of FIG. 1;

[51] **LOC (6) Cl. 25-01**

FIG. 3 is a rear view of the support brace of FIG. 1;

[52] **U.S. Cl. D25/133**

FIG. 4 is a bottom view of the support brace of FIG. 1; and,

[58] **Field of Search D25/133; 52/238.1, 52/243, 281, 282.1, 292**

FIG. 5 is a top view of the support brace of FIG. 1.

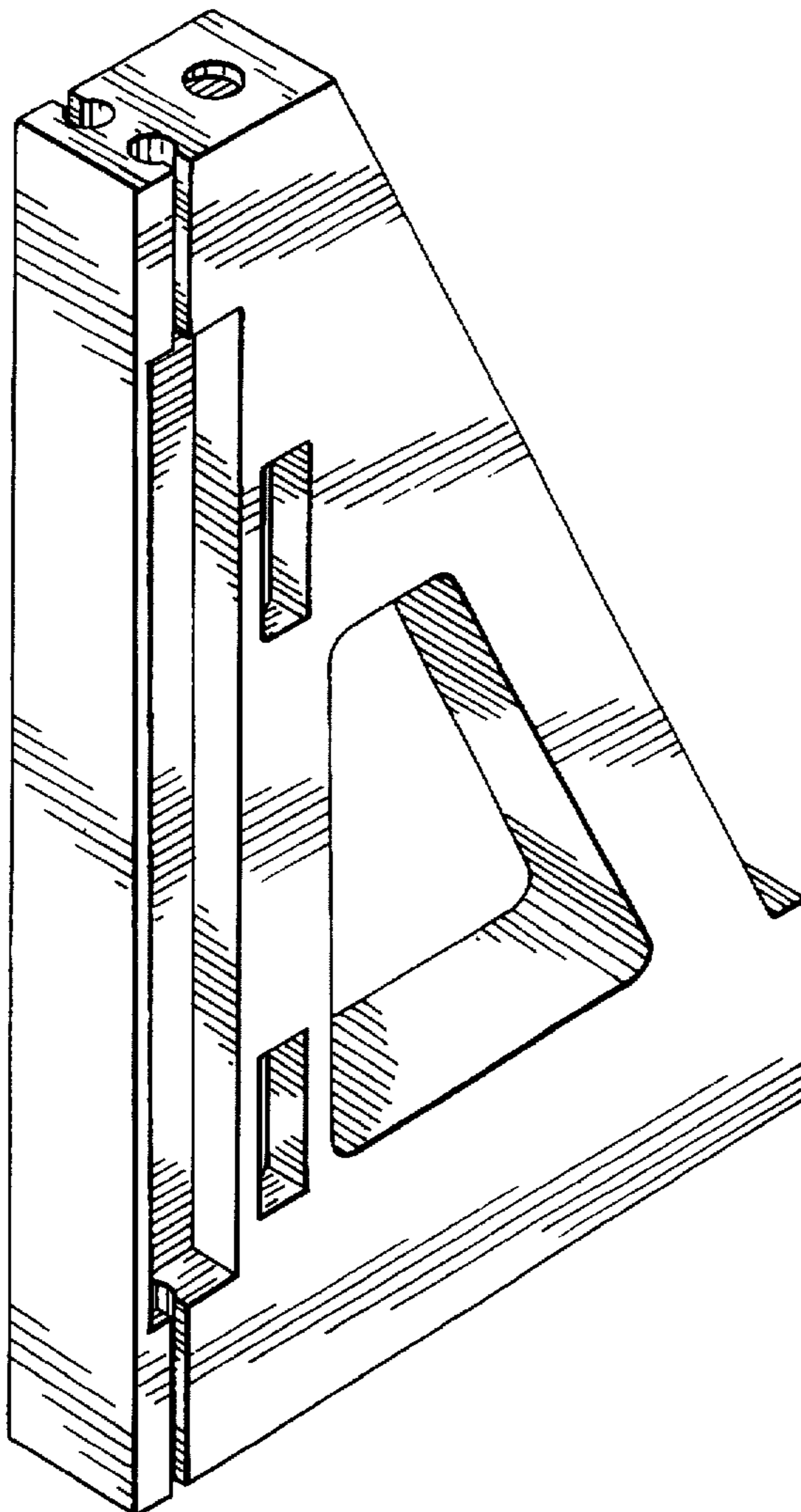
The dotted lines showing of wall panels connected to the support brace is for environmental purposes only and forms no part of the claimed design.

[56] **References Cited**

U.S. PATENT DOCUMENTS

D. 348,737 7/1994 Yang D25/133

1 Claim, 3 Drawing Sheets



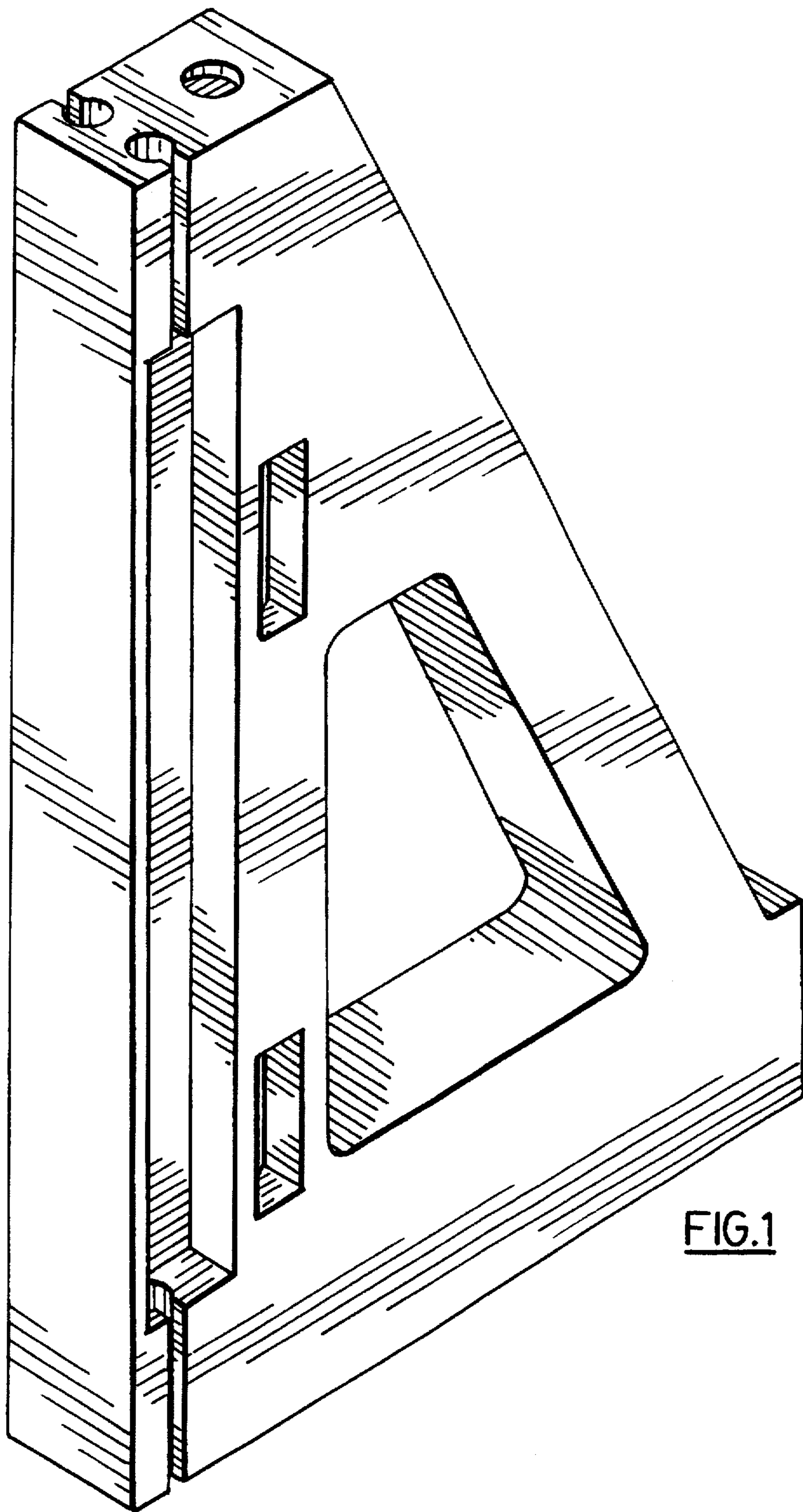


FIG.1

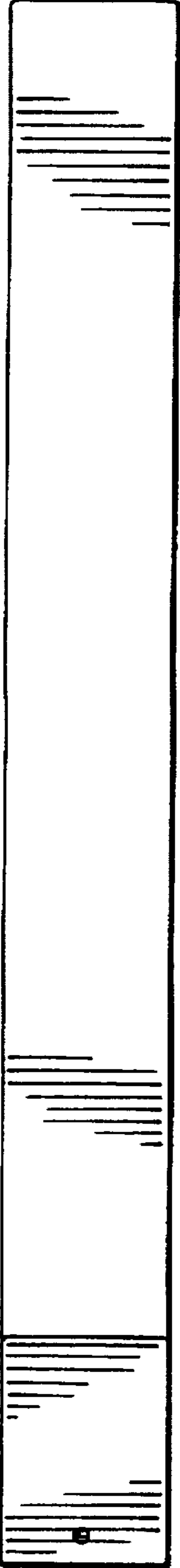


FIG. 3

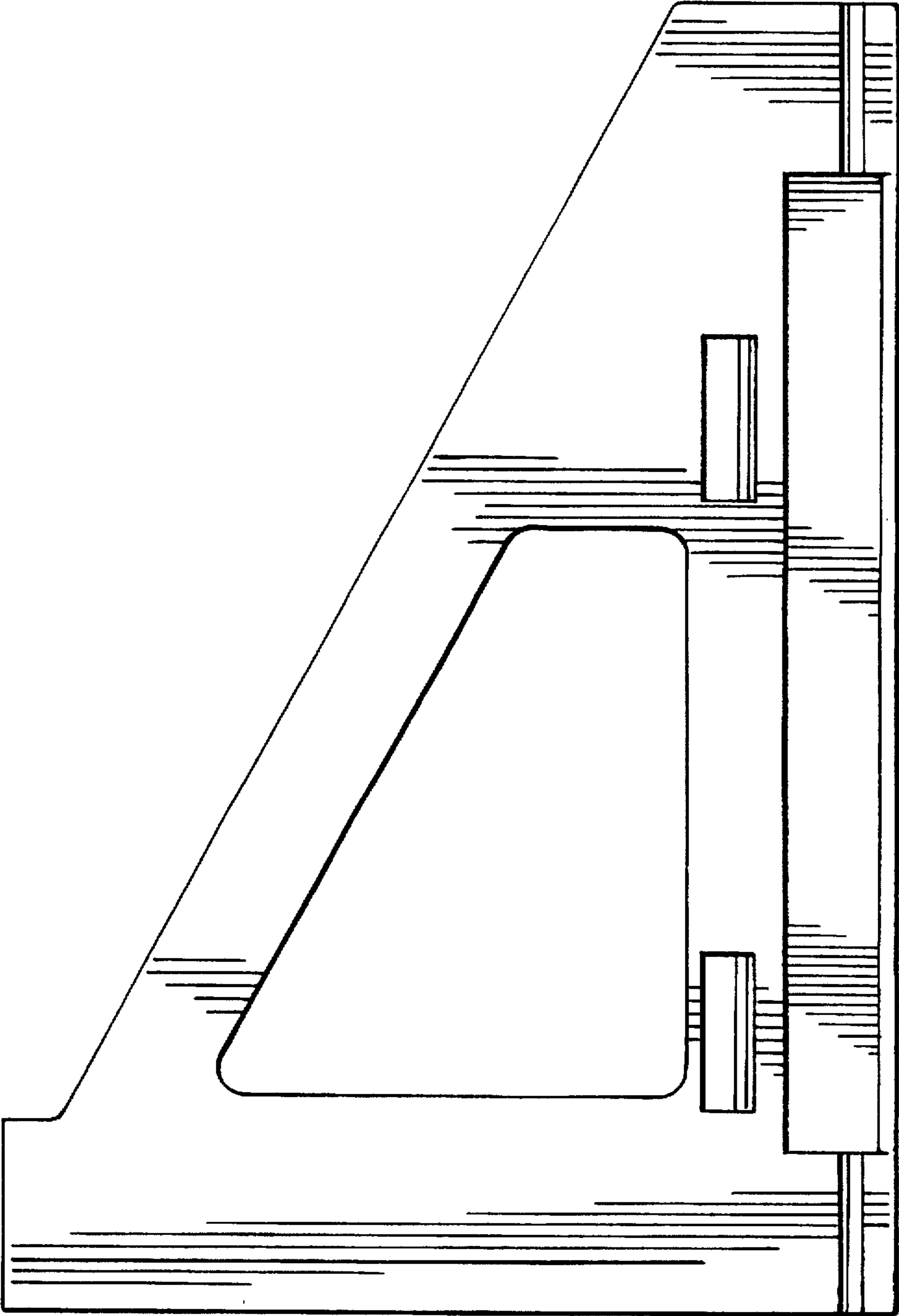


FIG. 2

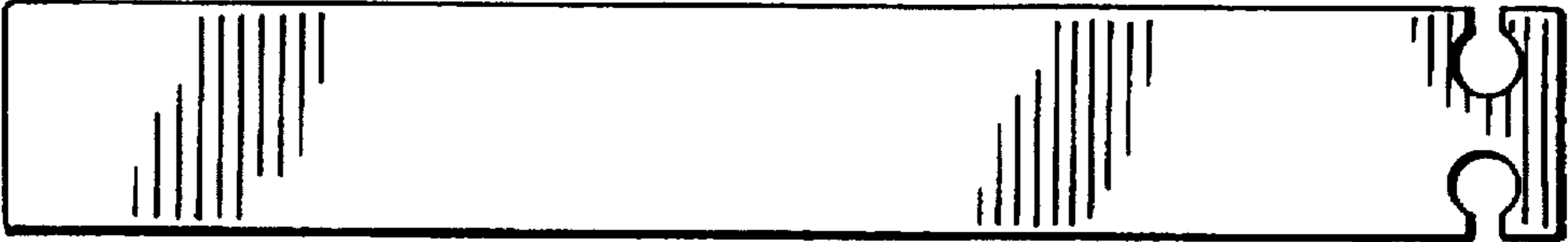


FIG. 4

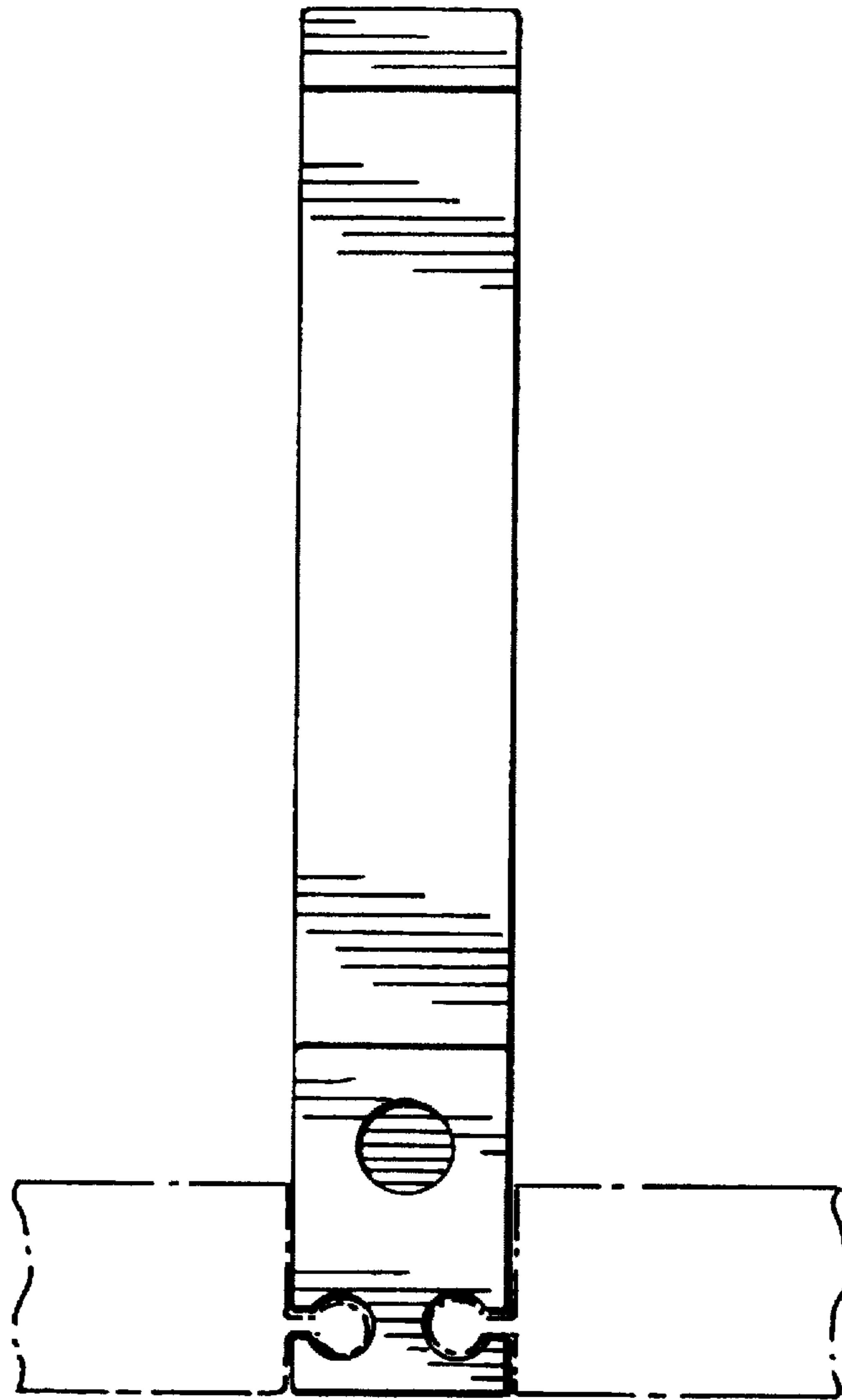


FIG. 5