



US00D390669S

United States Patent [19]
Armstrong et al.

[11] **Patent Number: Des. 390,669**
[45] **Date of Patent: **Feb. 10, 1998**

[54] **LADDER STEP EXTENDER**

4,972,923 11/1990 Kruse 182/121
5,056,620 10/1991 Zumwalt et al. 182/120
5,072,808 12/1991 Spalt et al. 182/103
5,465,809 11/1995 Panicci 182/120

[76] Inventors: **Donald R. Armstrong**, 956 87th Ave.
West, Duluth, Minn. 55808; **Phillip F. Bolf**, 5962 N. Tischer Rd., Duluth,
Minn. 55804

Primary Examiner—Doris Clark
Attorney, Agent, or Firm—Richard J. Grundstrom

[**] Term: **14 Years**

[57] **CLAIM**

[21] Appl. No.: **71,511**

The ornamental design for a ladder step extender, as shown.

[22] Filed: **May 30, 1997**

DESCRIPTION

[51] LOC (6) Cl. **25-04**

FIG. 1 is an isometric view of the ladder step extender of this design;

[52] U.S. Cl. **D25/69**

FIG. 2 is a top view of the ladder step extender;

[58] Field of Search D25/62, 69; 182/120,
182/121, 103, 228, 207

FIG. 3 is a left side view of the ladder step extender of this design;

[56] **References Cited**

FIG. 4 is a right side view of the ladder step extender;

U.S. PATENT DOCUMENTS

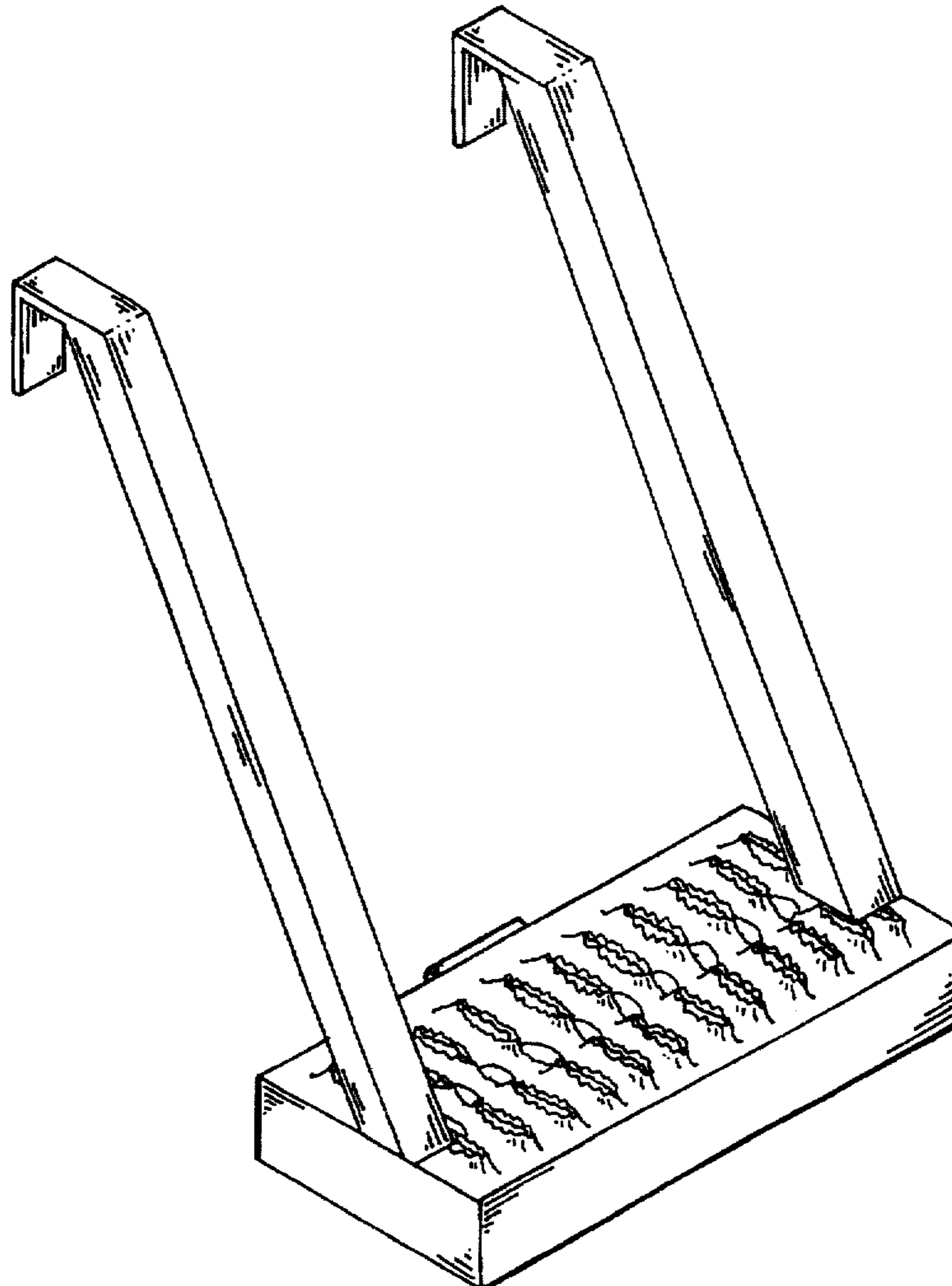
FIG. 5 is a front view of the ladder step extender;

D. 188,758	9/1960	Parker	D25/69
3,294,197	12/1966	Kwiatkowski	182/120
3,503,468	3/1970	Taylor, Sr.	182/121
4,437,544	3/1984	Anderson et al.	182/120
4,546,853	10/1985	Hanson	182/103

FIG. 6 is a back view of the ladder step extender; and,

FIG. 7 is a bottom view of the ladder step extender of this invention.

1 Claim, 7 Drawing Sheets



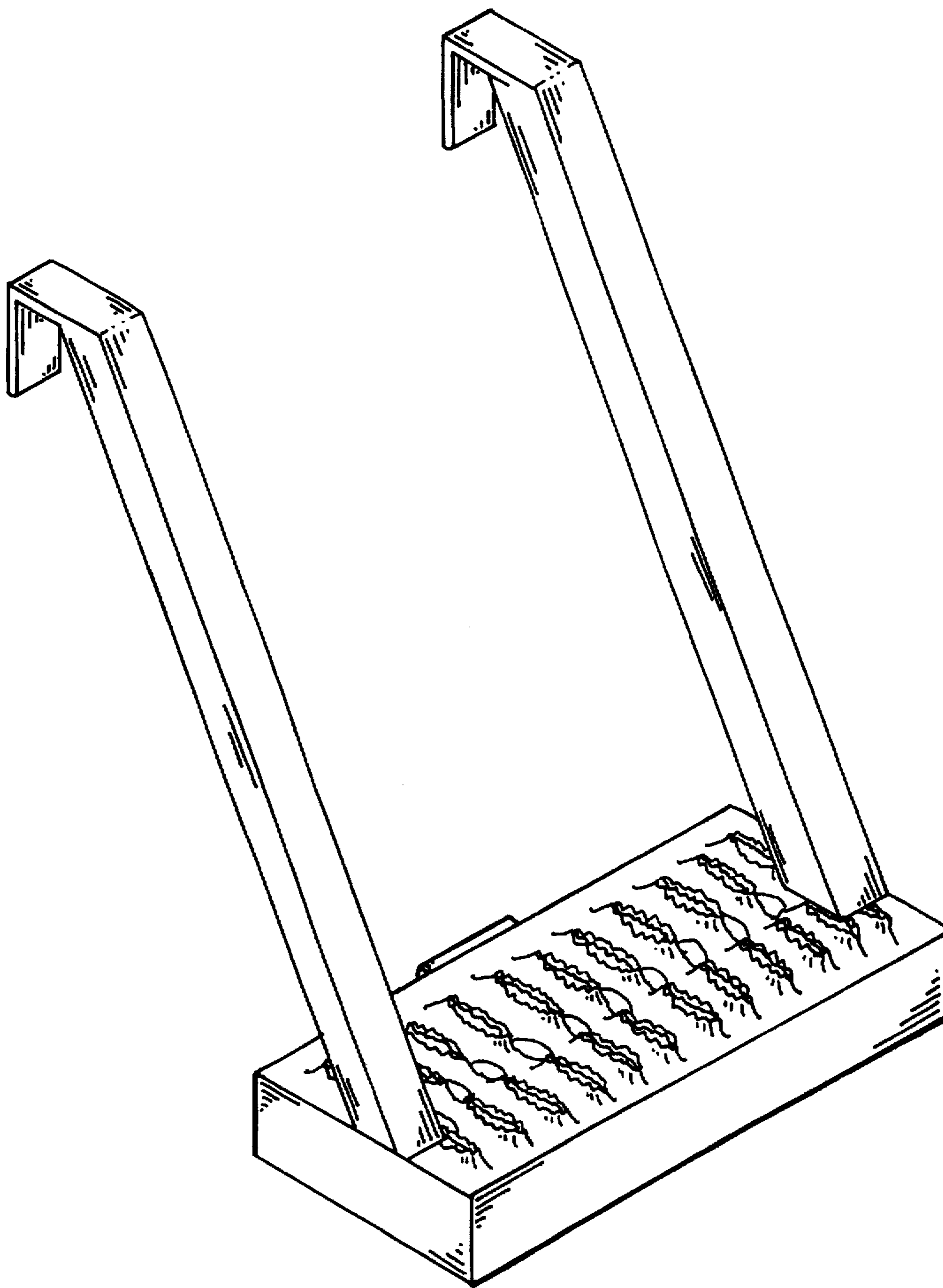


FIG.1.

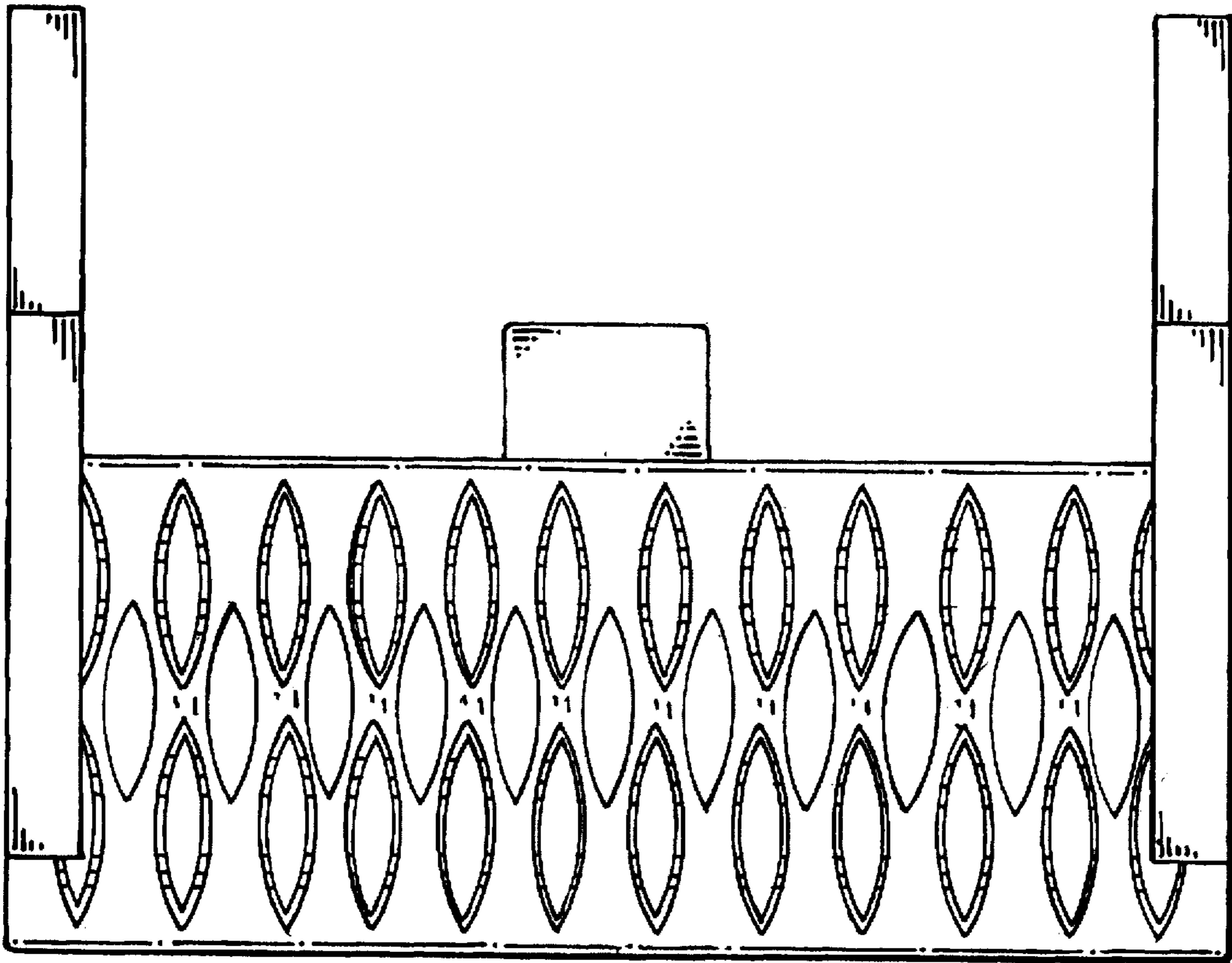


FIG.2.

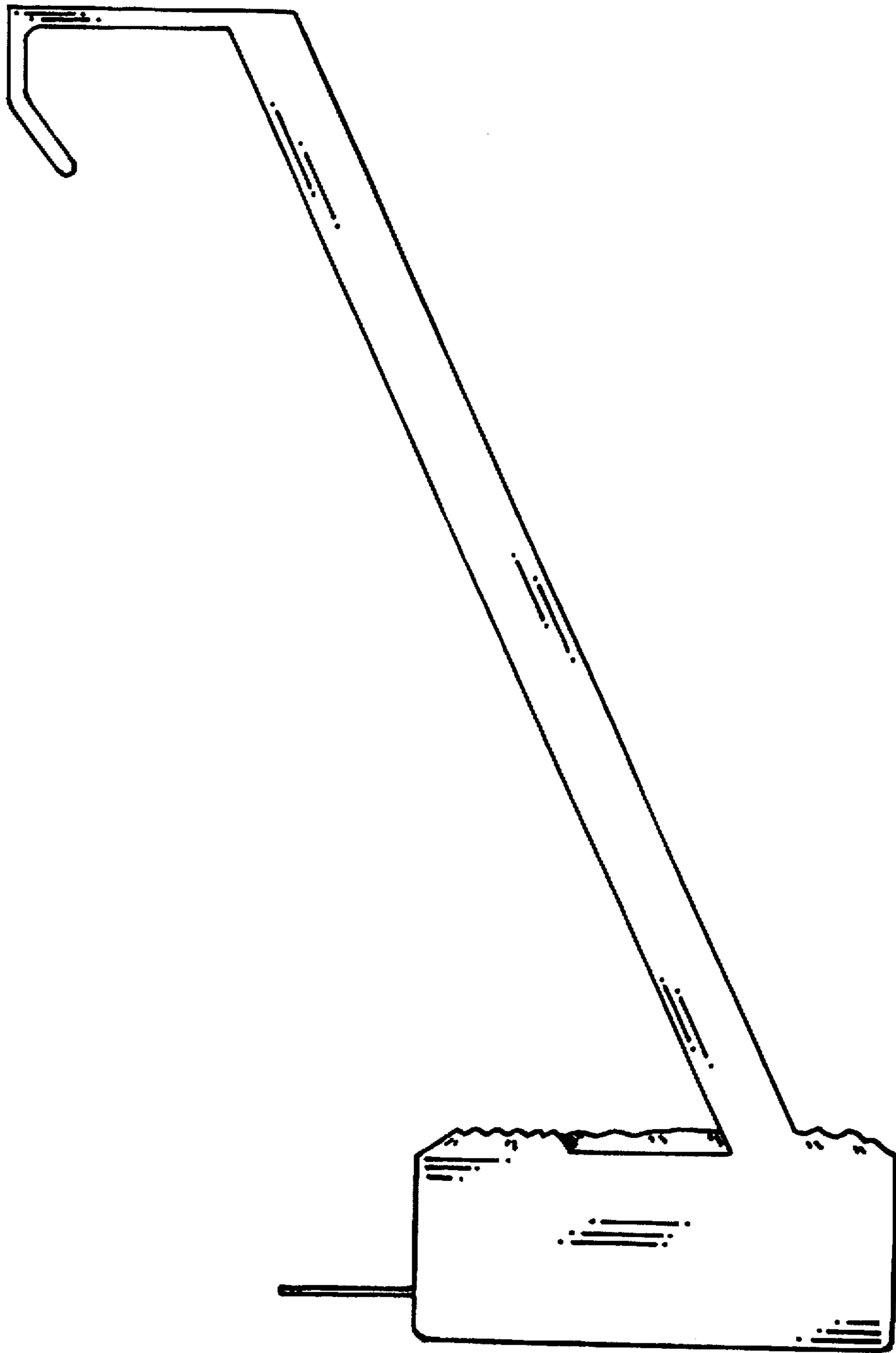


FIG. 3.

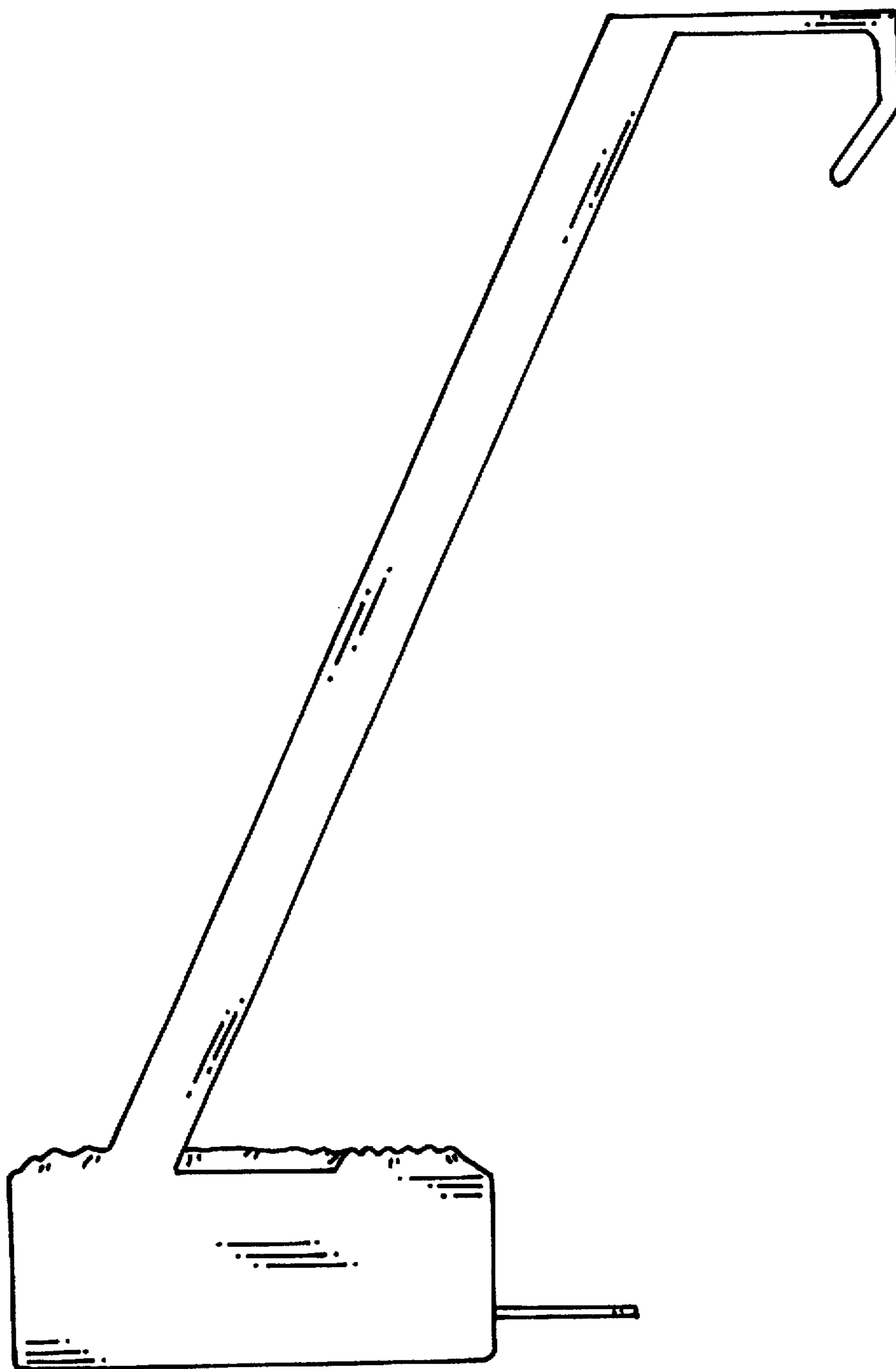


FIG. 4.

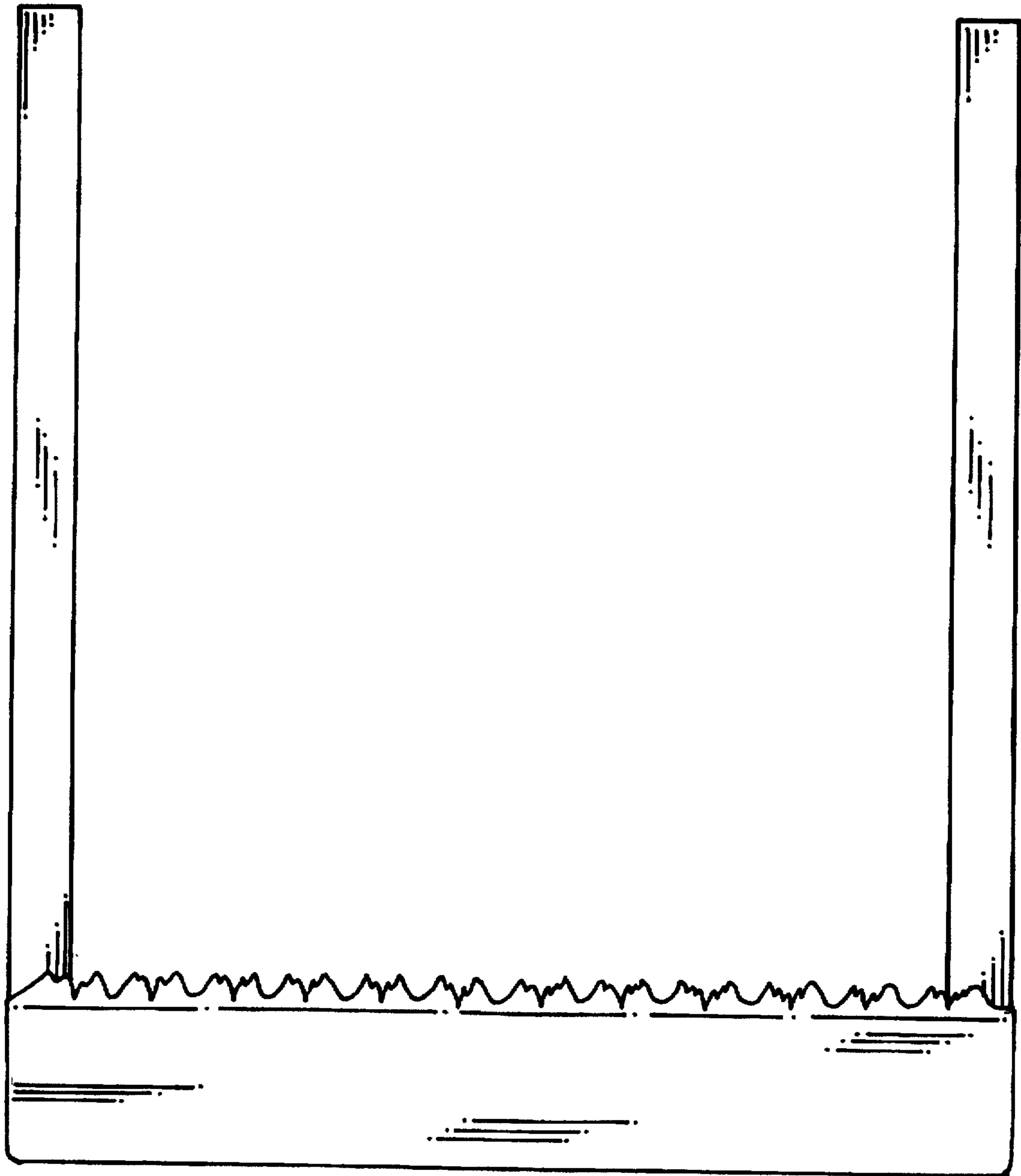


FIG.5.

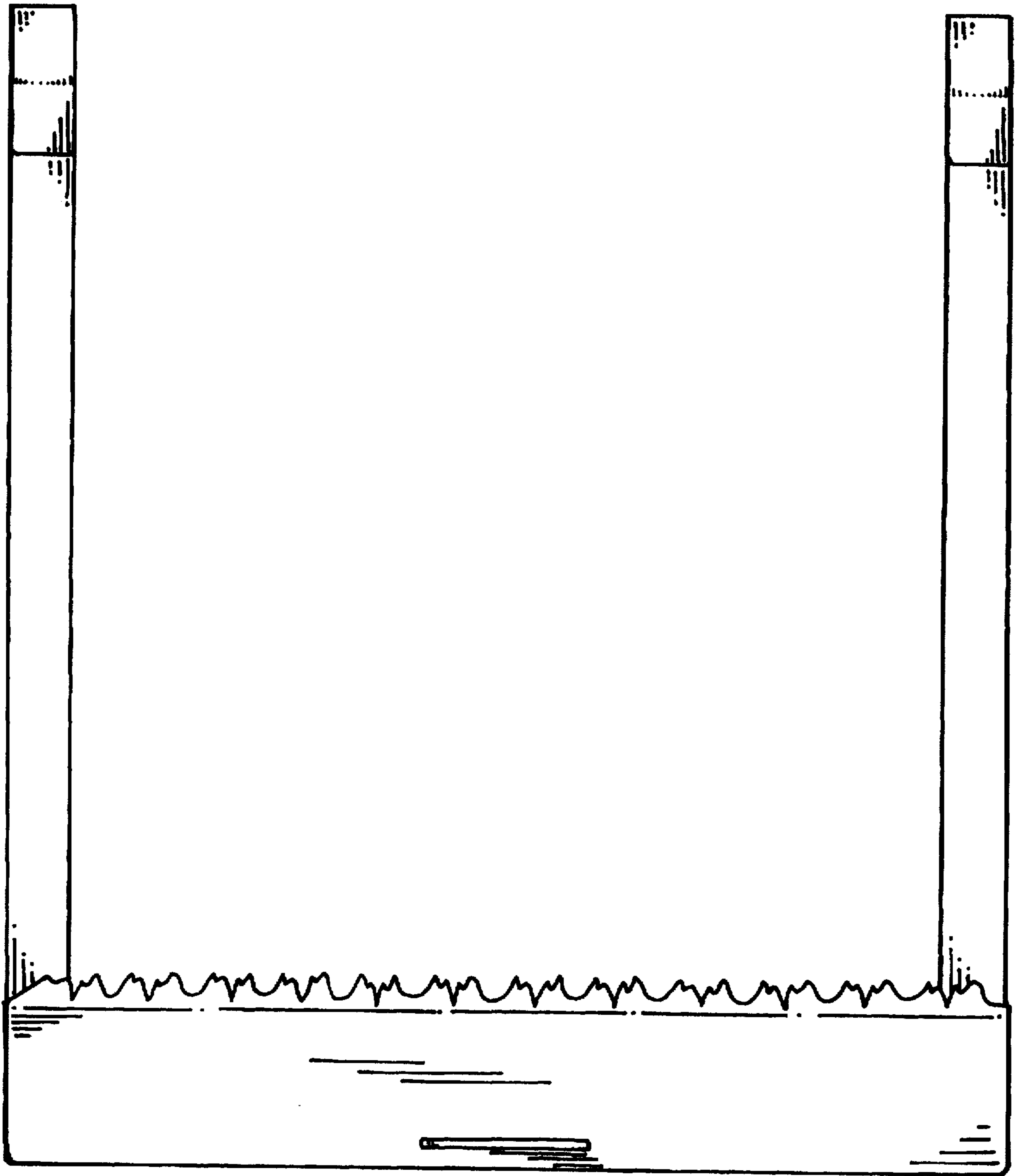


FIG. 6.

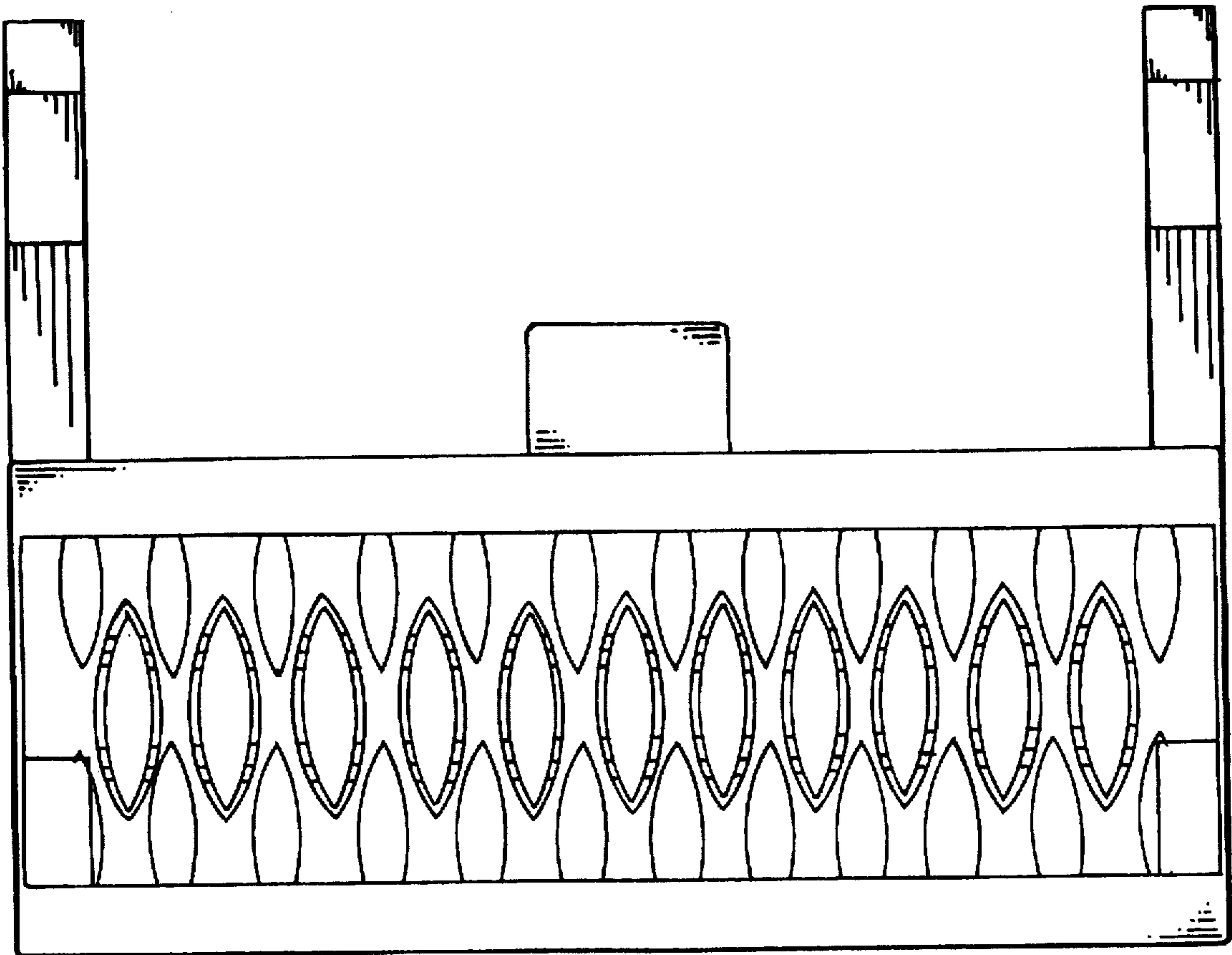


FIG.7.