



US00D390668S

United States Patent [19]

Lewandowski et al.

[11] Patent Number: **Des. 390,668**

[45] Date of Patent: ****Feb. 10, 1998**

[54] URINE COLLECTION CUP
[75] Inventors: **Jan J. Lewandowski**, South Euclid;
Nick A. Deeter, Fairview Park, both of
Ohio

[73] Assignee: **ViAtro, Corp.**, Cleveland, Ohio

[**] Term: **14 Years**

[21] Appl. No.: **64,180**

[22] Filed: **Dec. 23, 1996**

[51] LOC (6) Cl. **24-01**

[52] U.S. Cl. **D24/224**

[58] Field of Search **D24/224, 122,**
D24/121; 4/144.1, 144.2, 144.4; 128/760,
771; 422/102

[56] **References Cited**

U.S. PATENT DOCUMENTS

4,064,760 12/1977 Benjamin 4/144.2 X
4,176,412 12/1979 Peterson 4/144.1

4,559,649 12/1985 Burnett 4/144.4 X
5,119,830 6/1992 Davis 128/771
5,445,292 8/1995 Slomski et al. 4/144.2 X
5,591,401 1/1997 Sayles 422/102 X

Primary Examiner—Stella Reid
Attorney, Agent, or Firm—James A. Hudak

[57] **CLAIM**

The ornamental design for a urine collection cup, as shown and described.

DESCRIPTION

FIG. 1 is a perspective view of the urine collection cup, showing our new design;
FIG. 2 is a top plan view thereof;
FIG. 3 is a front elevational view thereof;
FIG. 4 is a rear elevational view thereof;
FIG. 5 is a right end elevational view thereof;
FIG. 6 is a left end elevational view thereof;
FIG. 7 is a bottom plan view thereof; and,
FIG. 8 is an exploded front elevational view thereof.

1 Claim, 4 Drawing Sheets

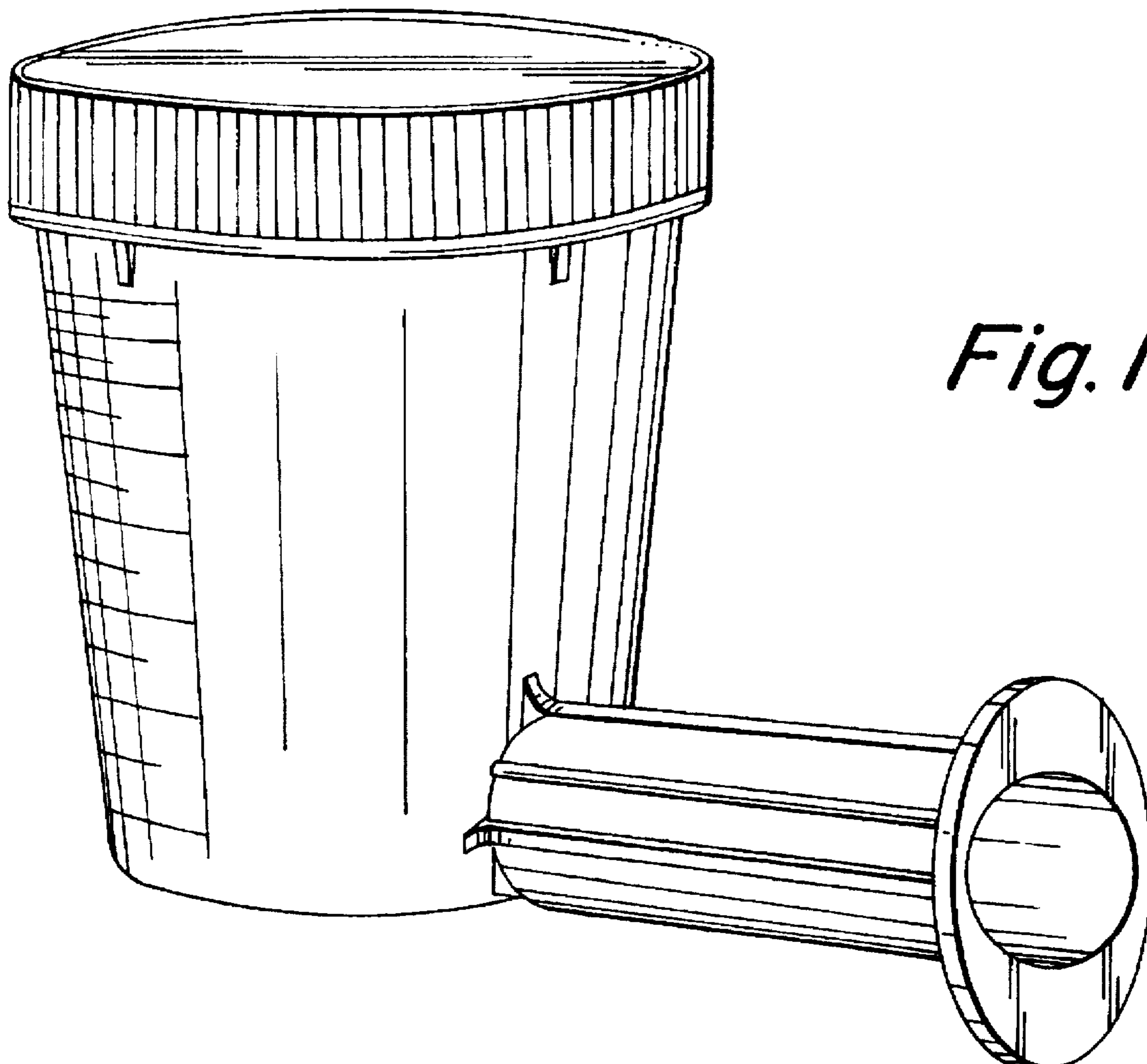


Fig. 1

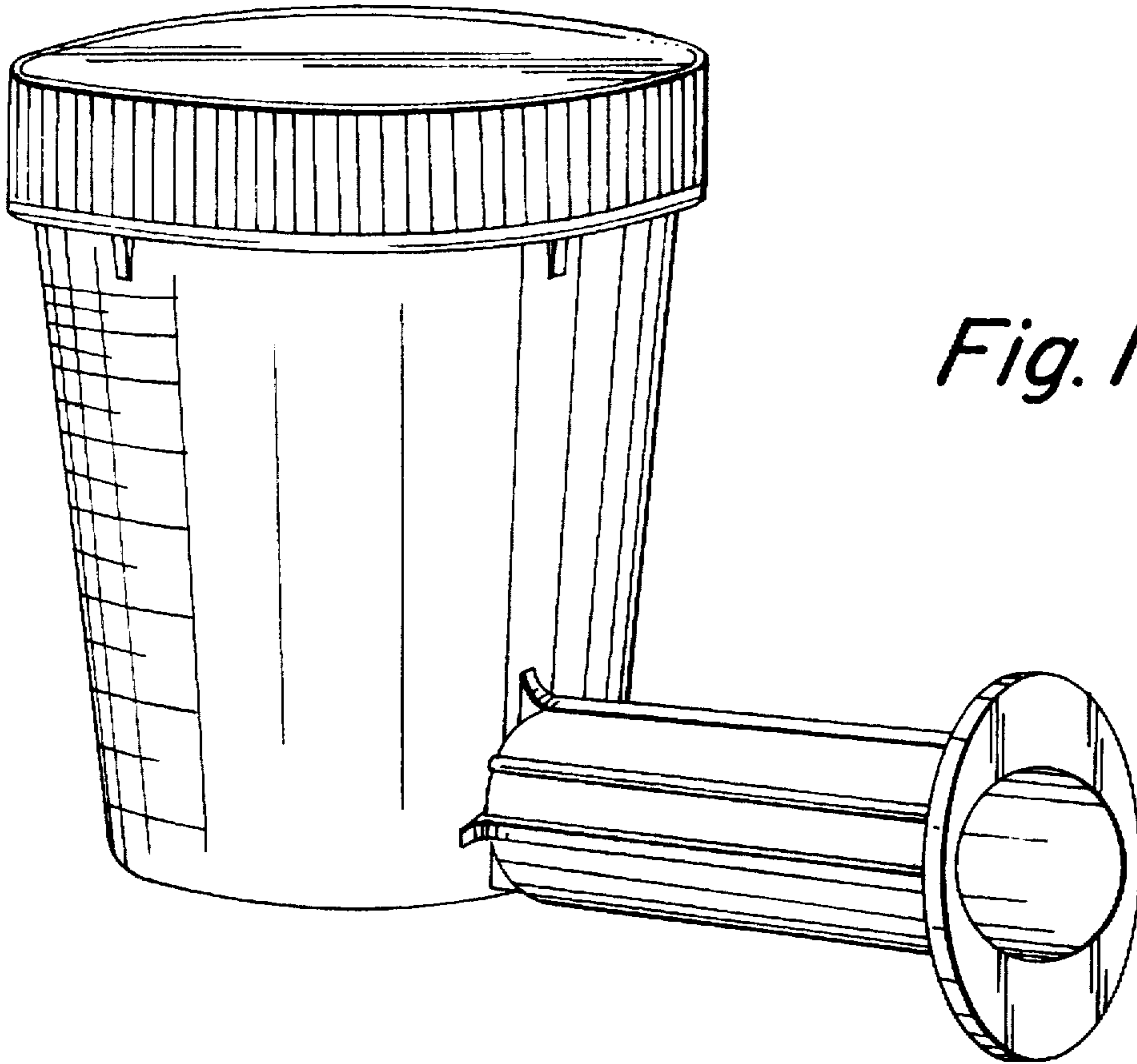


Fig. 1

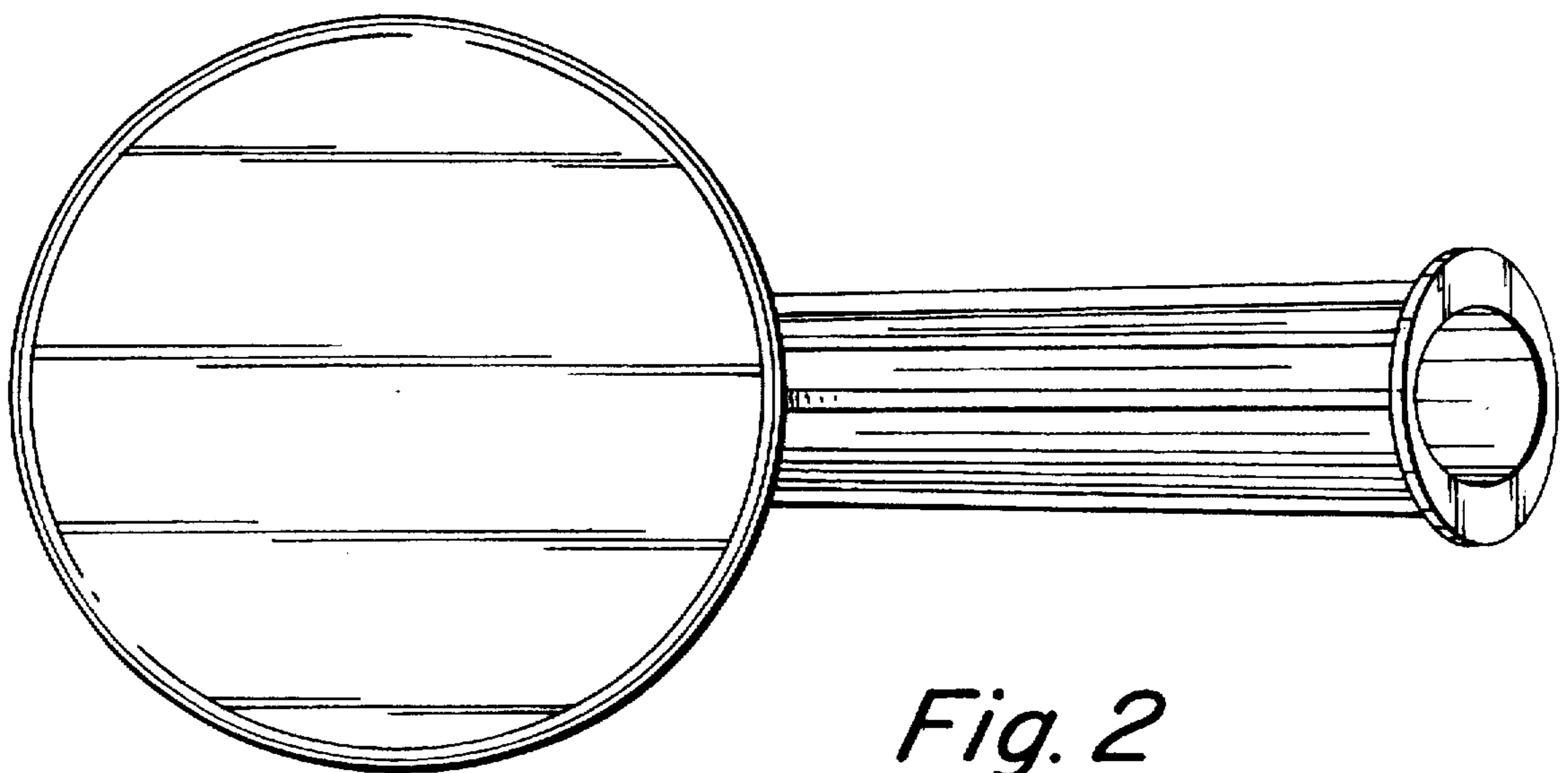


Fig. 2

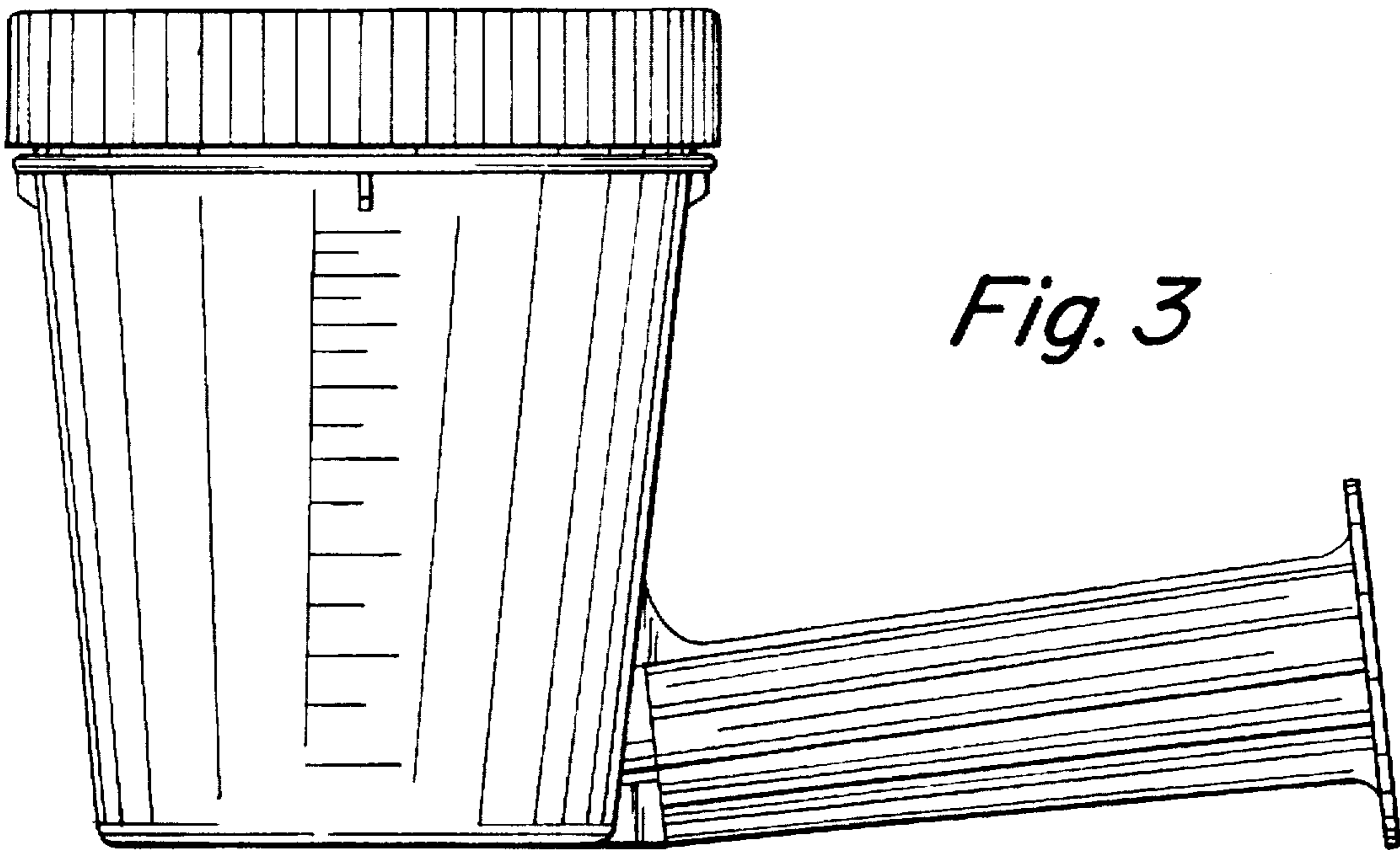


Fig. 3

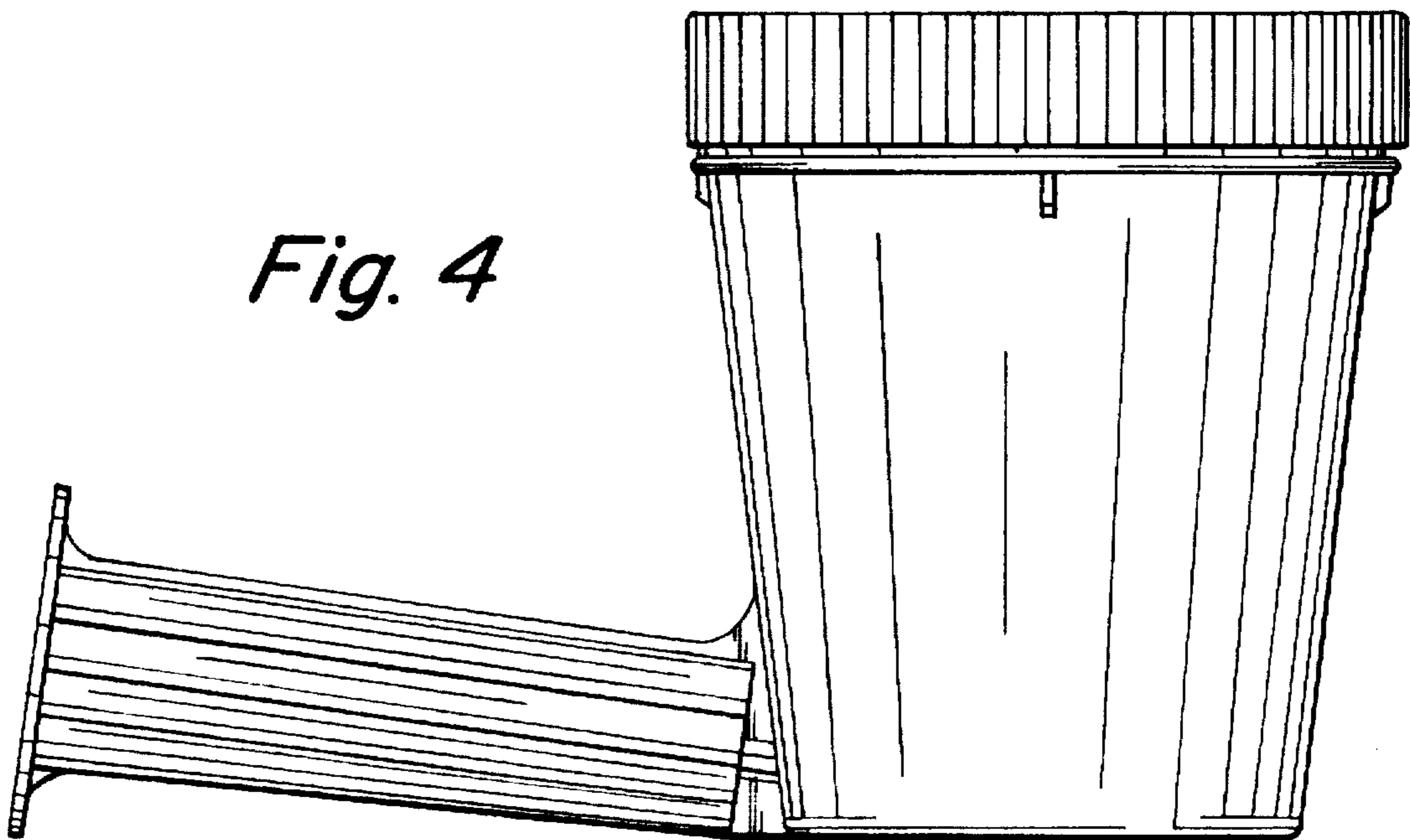


Fig. 4

Fig. 5

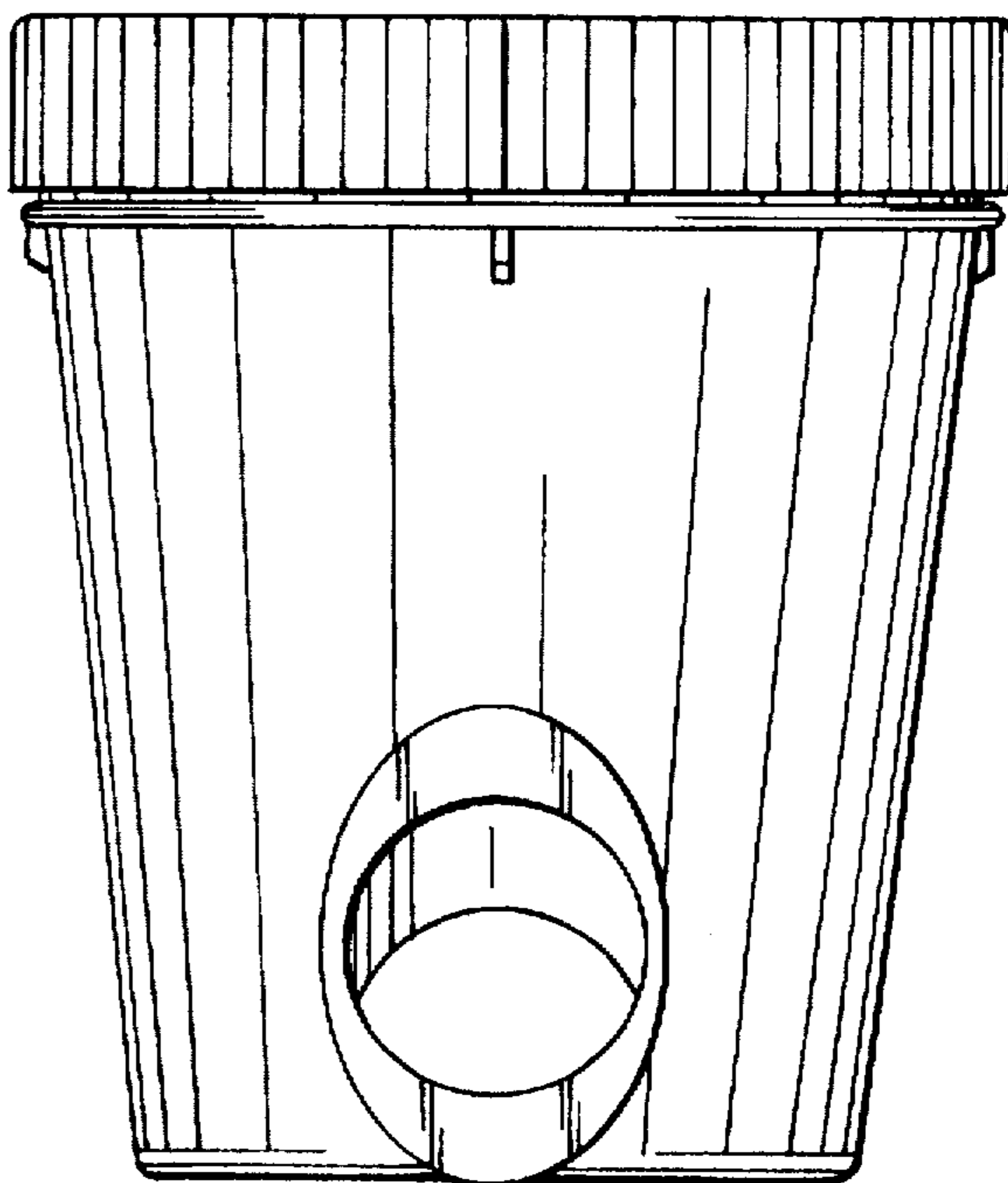
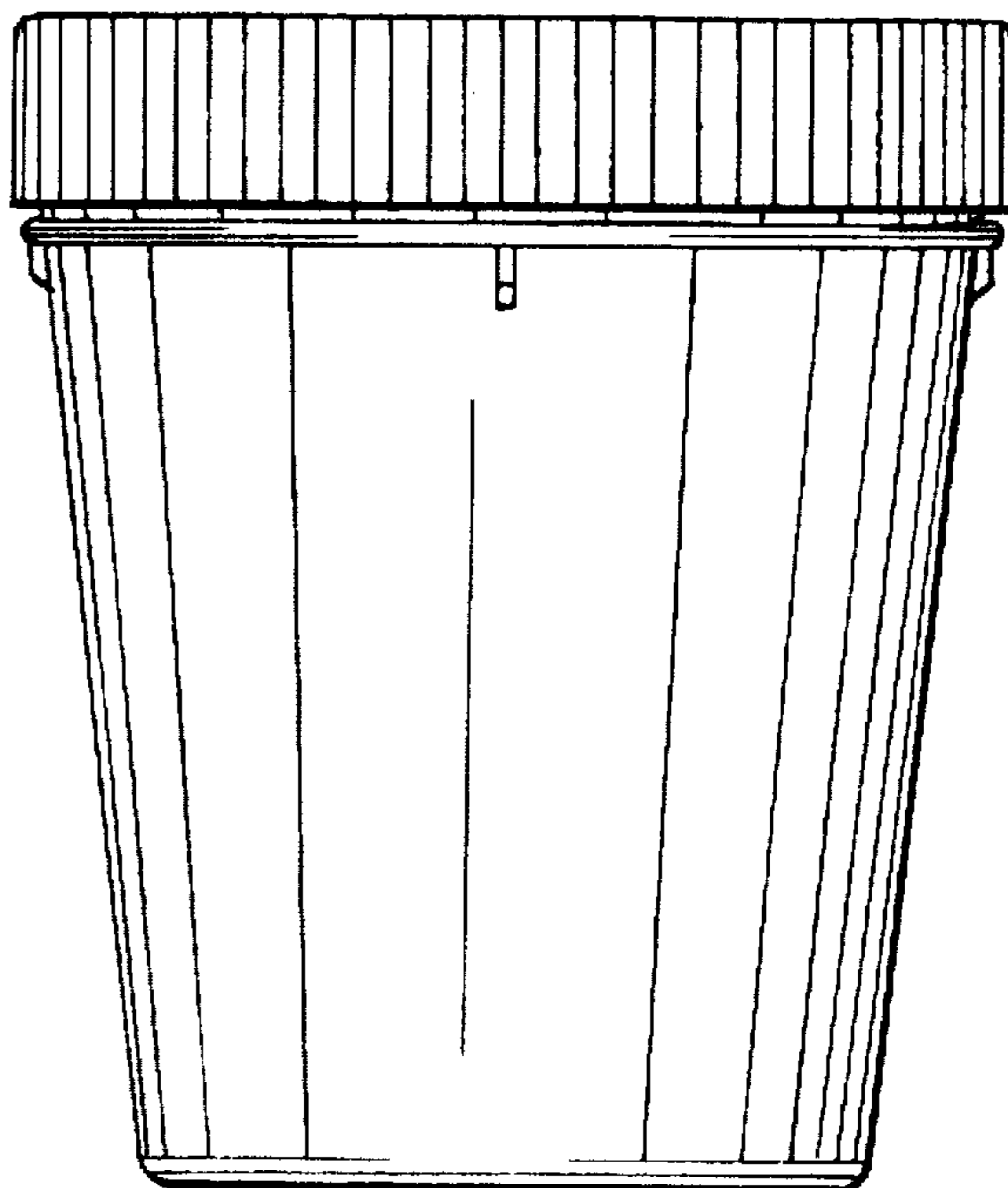


Fig. 6



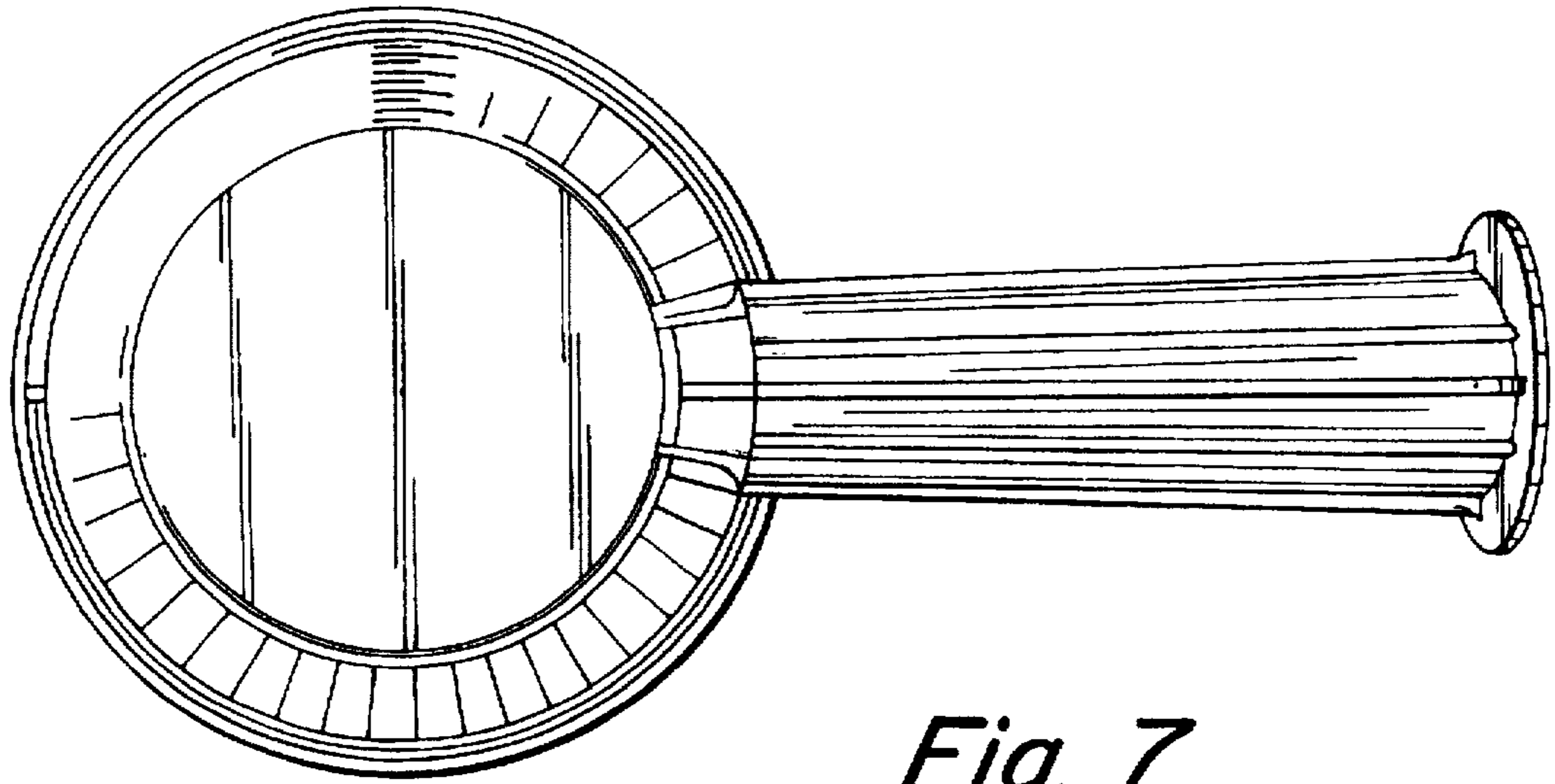


Fig. 7

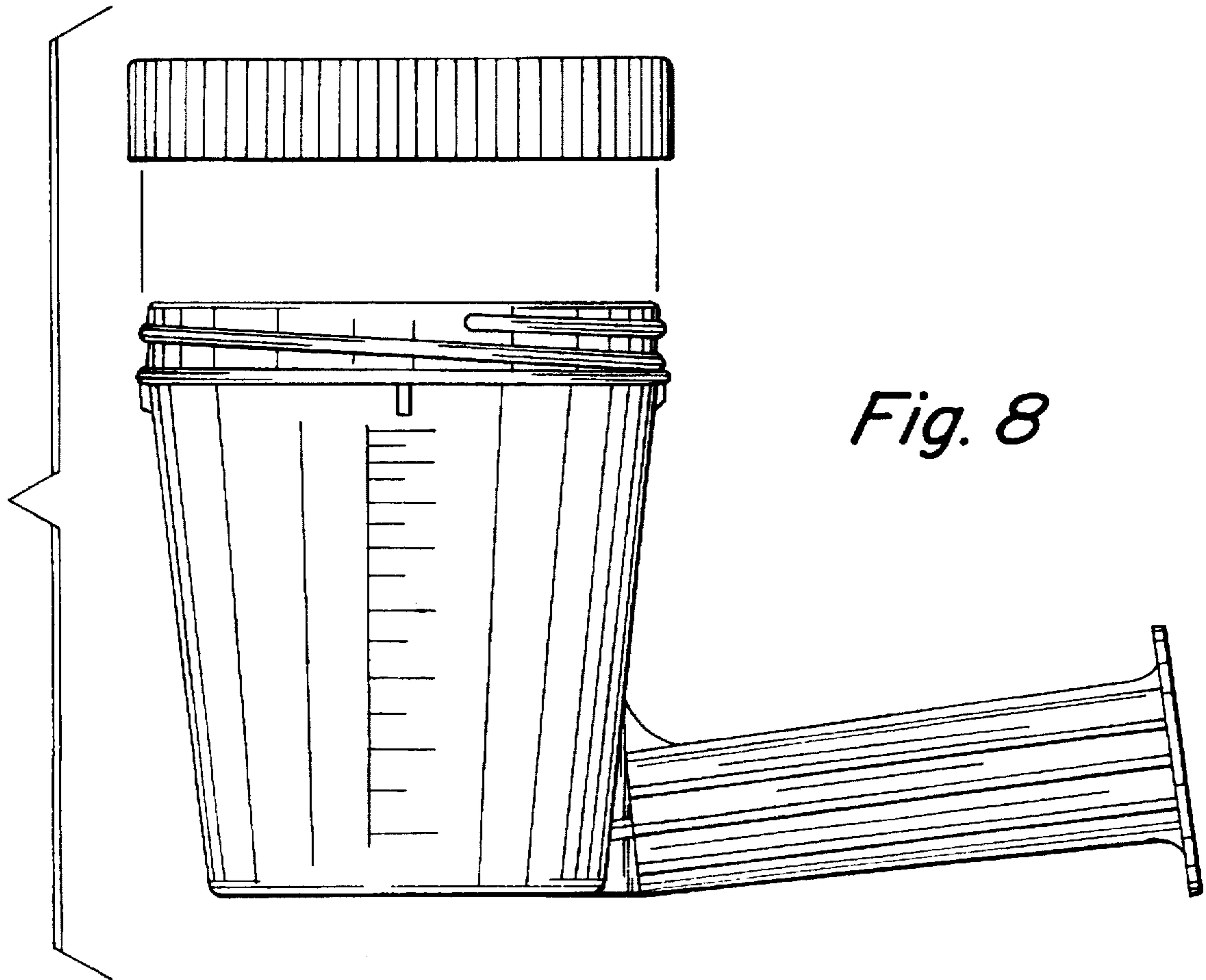


Fig. 8