



US00D390666S

**United States Patent** [19]  
**Lagerlöf**

[11] **Patent Number:** **Des. 390,666**  
[45] **Date of Patent:** **\*\*Feb. 10, 1998**

[54] **PATIENT COMPUTER FOR CONTROLLED INDIVIDUALIZED MEDICATION**

4,962,491 10/1990 Schaeffer ..... D24/226 X  
4,975,842 12/1990 Darrow et al. .... 364/413.02  
5,542,420 8/1996 Goldman et al. .... 128/630

[75] **Inventor:** **Ingemar Lagerlöf, Upsala, Sweden**

*Primary Examiner*—Stella Reid  
*Attorney, Agent, or Firm*—Young & Thompson

[73] **Assignee:** **Minidoc AB, Upsala, Sweden**

[\*\*] **Term:** **14 Years**

[57] **CLAIM**

[21] **Appl. No.:** **47,818**

The ornamental design for a patient computer for controlled individualized medication.

[22] **Filed:** **Dec. 5, 1995**

**DESCRIPTION**

[51] **LOC (6) Cl.** ..... **24-01**

FIG. 1 is a top perspective view of a patient computer for controlled individualized medication, showing my new design;

[52] **U.S. Cl.** ..... **D24/186**

FIG. 2 is a top view of the patient computer;

[58] **Field of Search** ..... D24/186, 232;  
364/413.01, 413.02, 413.29; 128/920, 921,  
630

FIG. 3 is a left side view of the patient computer;

FIG. 4 is a right side view of the patient computer;

FIG. 5 is a bottom view of the patient computer;

FIG. 6 is a front view of the patient computer; and,

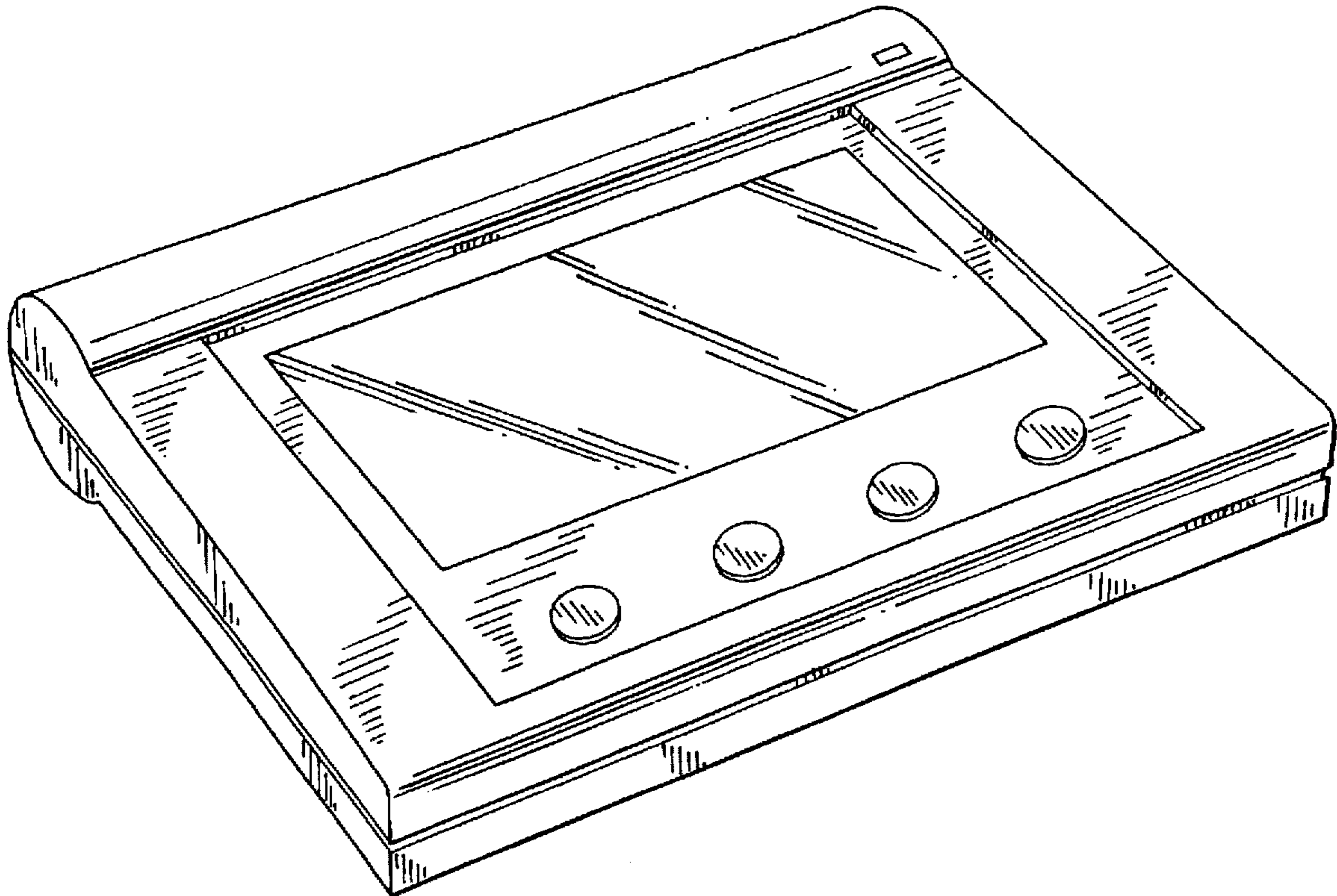
FIG. 7 is a rear view of the patient computer.

[56] **References Cited**

**U.S. PATENT DOCUMENTS**

4,290,114 9/1981 Sinay ..... 128/920 X  
4,732,411 3/1988 Siegel ..... 364/413.01 X

**1 Claim, 4 Drawing Sheets**



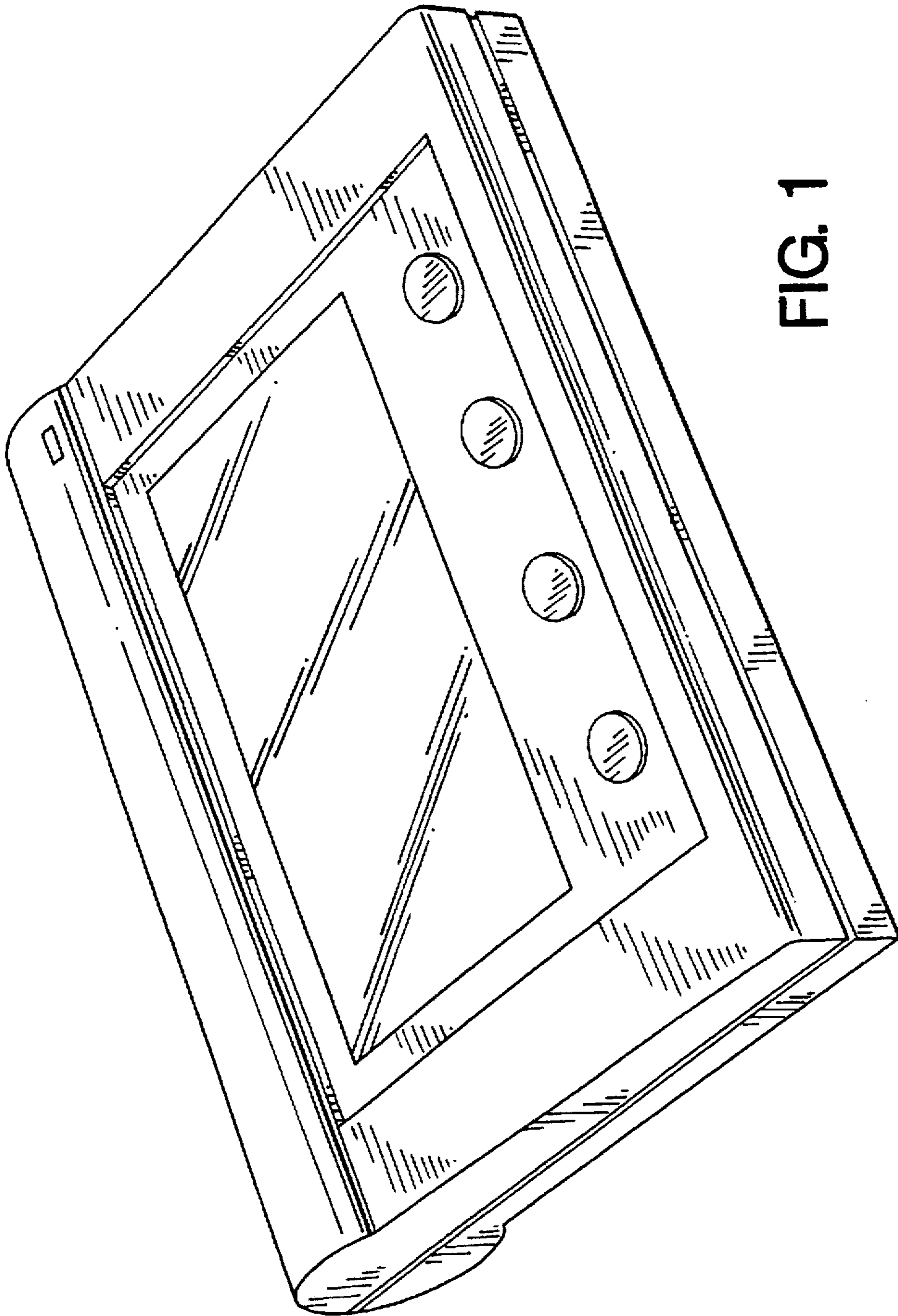


FIG. 1

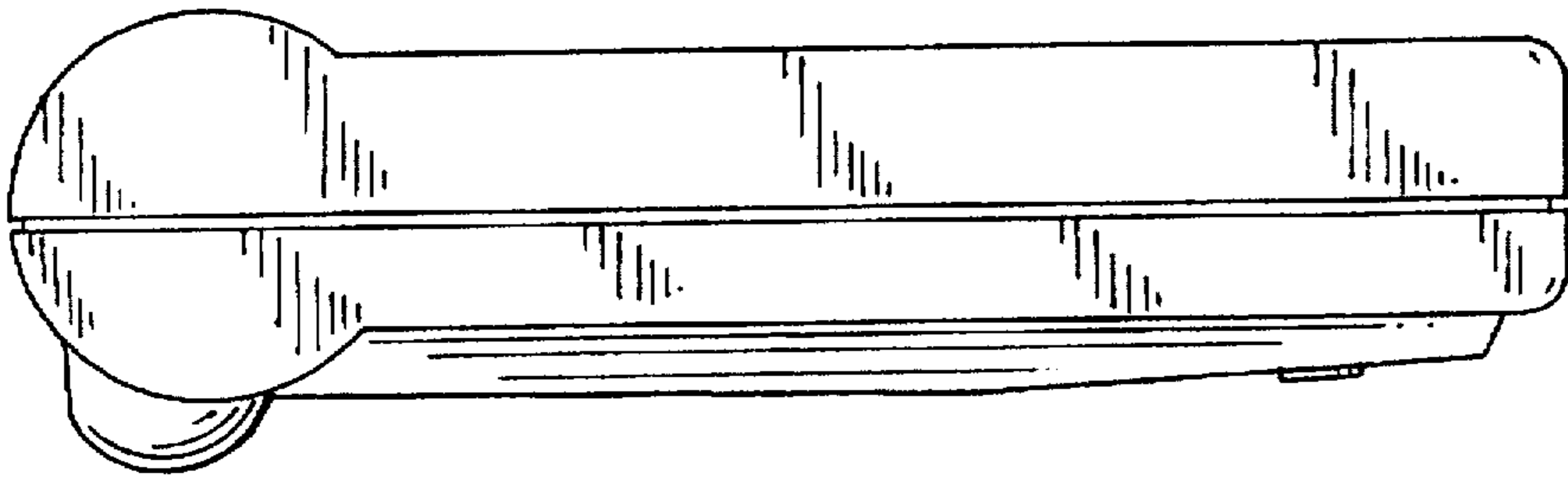


FIG. 4

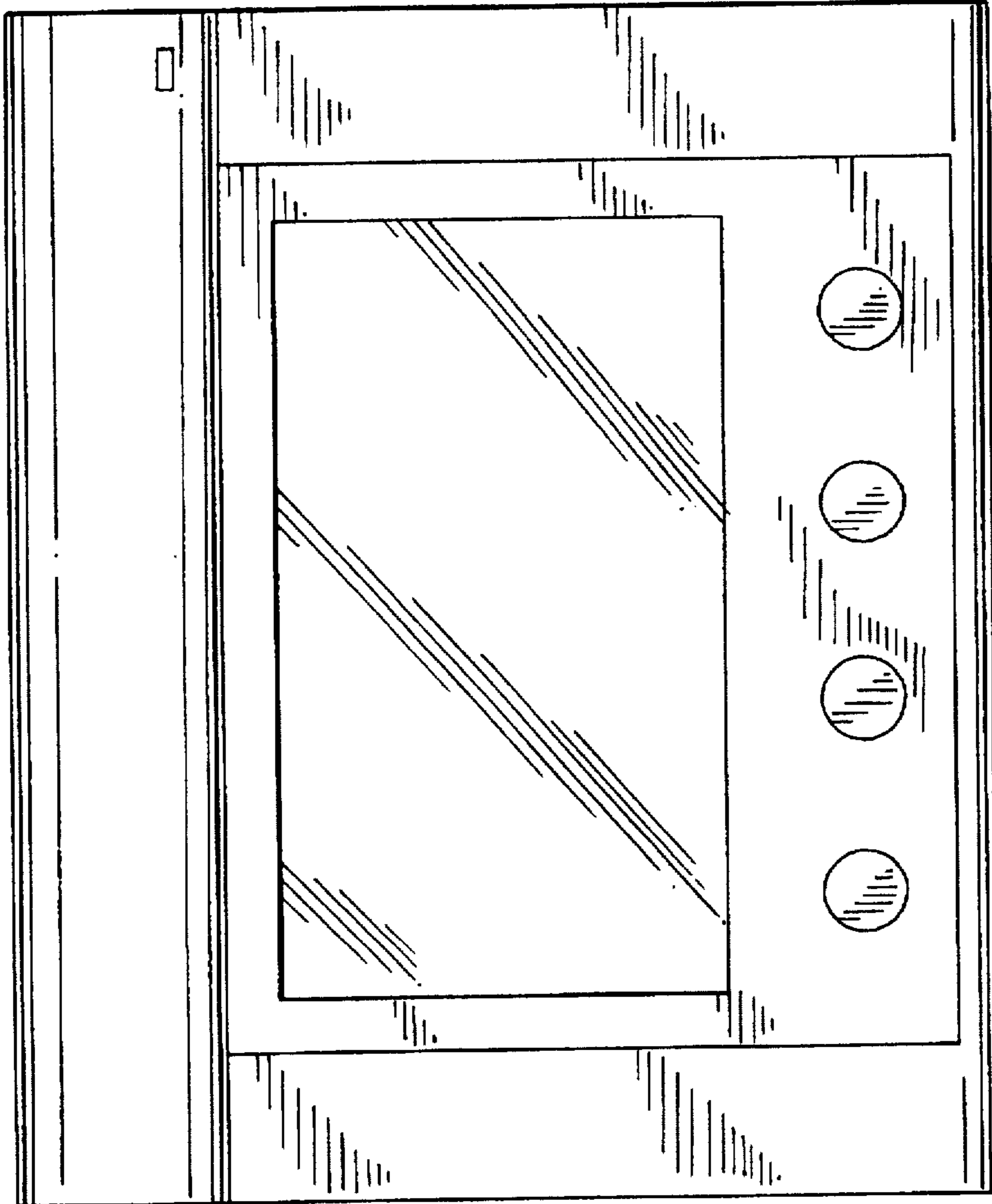


FIG. 2

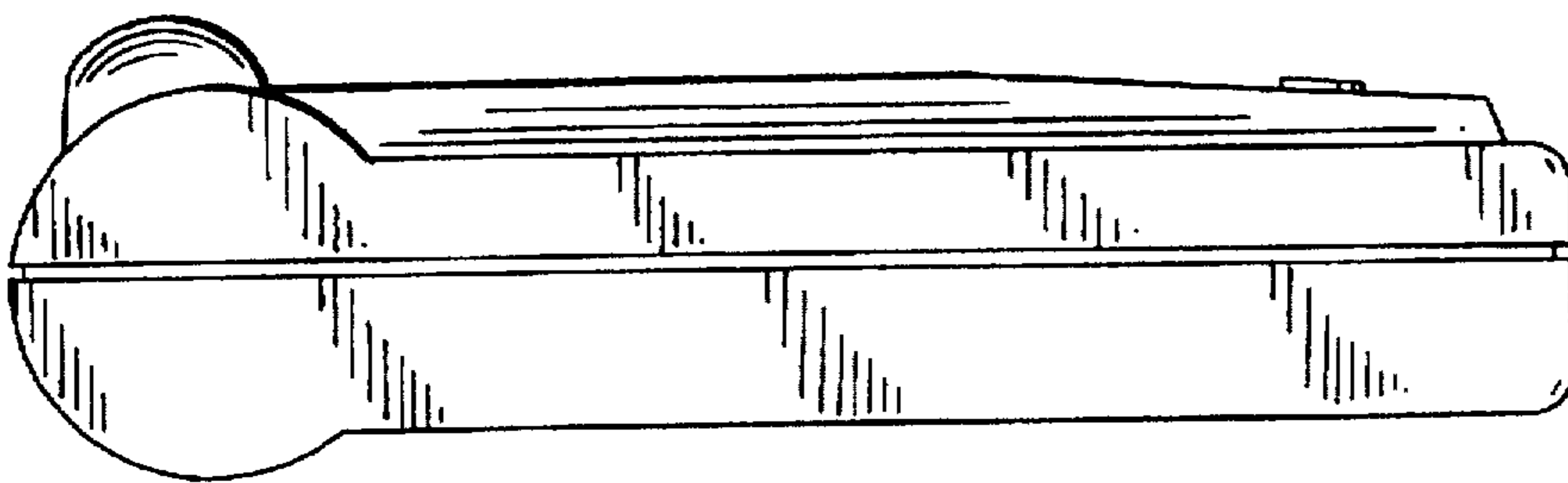


FIG. 3

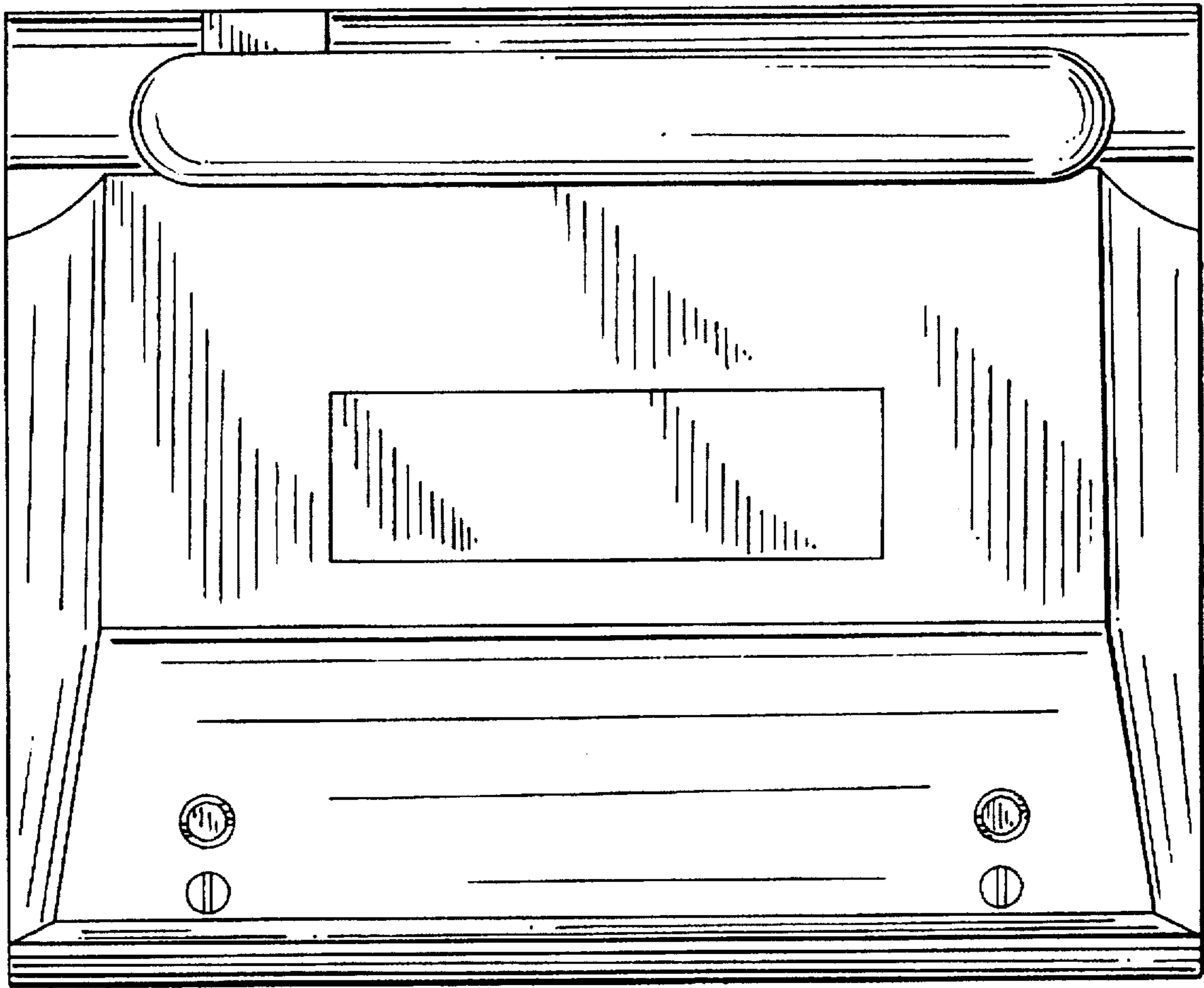


FIG. 5

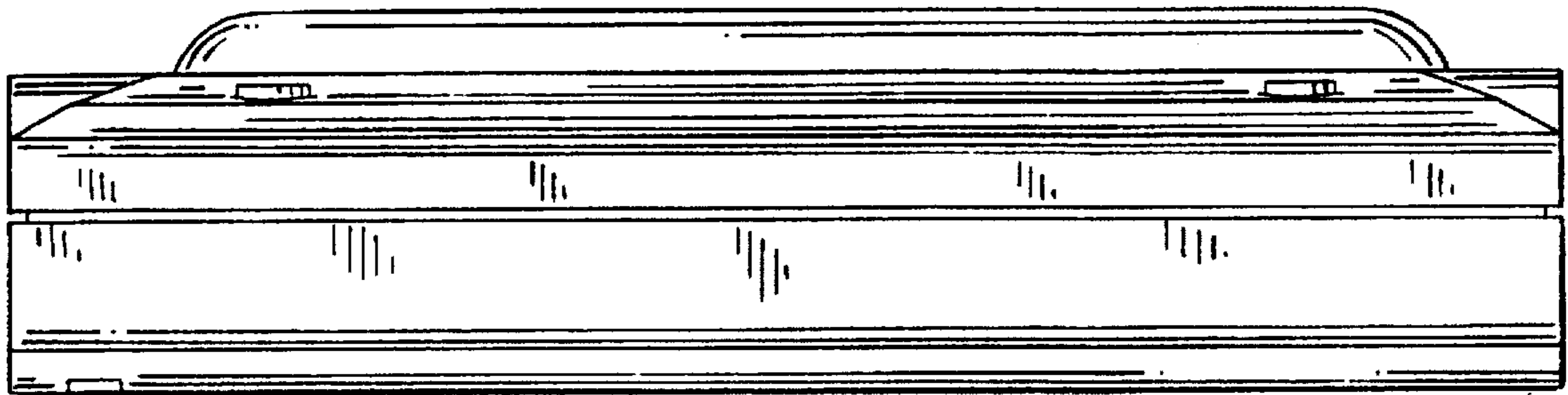


FIG. 6

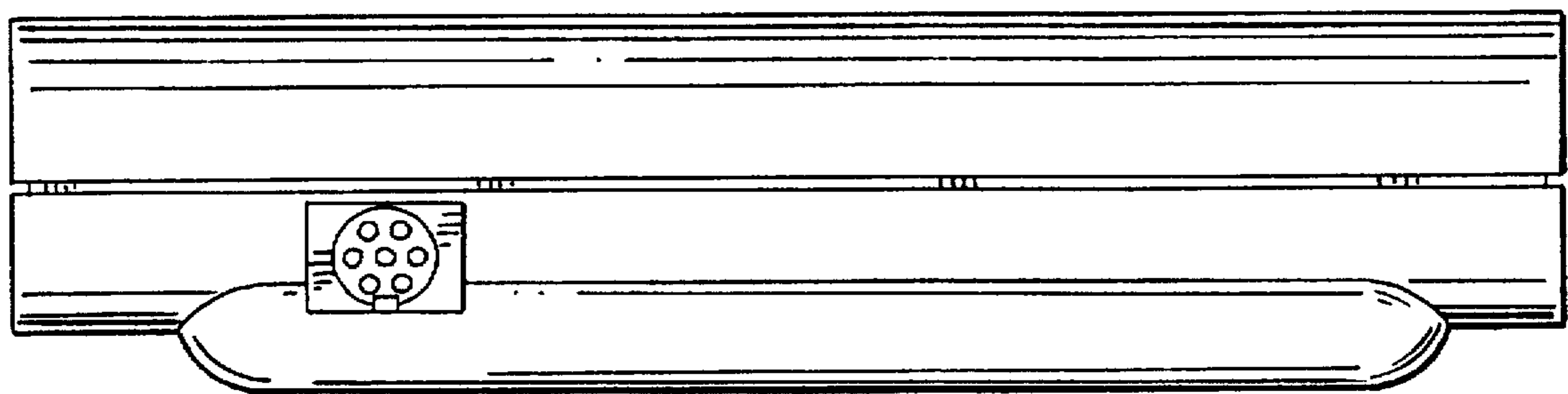


FIG. 7