



US00D390665S

**United States Patent** [19]  
**Kennemore**

[11] **Patent Number:** **Des. 390,665**  
[45] **Date of Patent:** **\*\*Feb. 10, 1998**

[54] **SURGICAL PATIENT SUPPORT CUSHION**

[75] **Inventor:** **Douglas E. Kennemore**, Greenville, S.C.

[73] **Assignee:** **Span-America Medical Systems, Inc.**, Greenville, S.C.

[\*\*] **Term:** **14 Years**

[21] **Appl. No.:** **58,606**

[22] **Filed:** **Aug. 13, 1996**

**Related U.S. Application Data**

[62] Division of Ser. No. 18,024, Jan. 27, 1994, abandoned.

[51] **LOC (6) Cl.** ..... **24-04**

[52] **U.S. Cl.** ..... **D24/183**

[58] **Field of Search** ..... **D24/183, 184;**  
**5/465, 464, 461, 468, 481, 652, 448**

**References Cited**

**U.S. PATENT DOCUMENTS**

- D. 307,687 5/1990 Raburn .
- D. 307,688 5/1990 Schaefer .
- D. 307,689 5/1990 Schaefer .
- D. 307,690 5/1990 Raburn .
- D. 322,907 1/1992 Raburn .
- D. 326,976 6/1992 Wickis, Jr. et al. .
- D. 336,400 6/1993 Mitchell et al. .
- 3,931,654 1/1976 Spann .

- 3,938,205 2/1976 Spann .
- 4,135,504 1/1979 Spann .
- 4,185,813 1/1980 Spann .
- 4,210,317 7/1980 Spann et al. .
- 4,214,326 7/1980 Spann .
- 4,471,952 9/1984 Spann .
- 4,603,445 8/1986 Spann .
- 4,726,087 2/1988 Schaefer et al. .
- 4,832,007 5/1989 Davis, Jr. et al. .
- 4,862,538 9/1989 Spann et al. .
- 5,014,375 5/1991 Coonrad et al. .
- 5,086,529 2/1992 DeGroot ..... 5/465

*Primary Examiner*—Stella Reid  
*Attorney, Agent, or Firm*—Dority & Manning

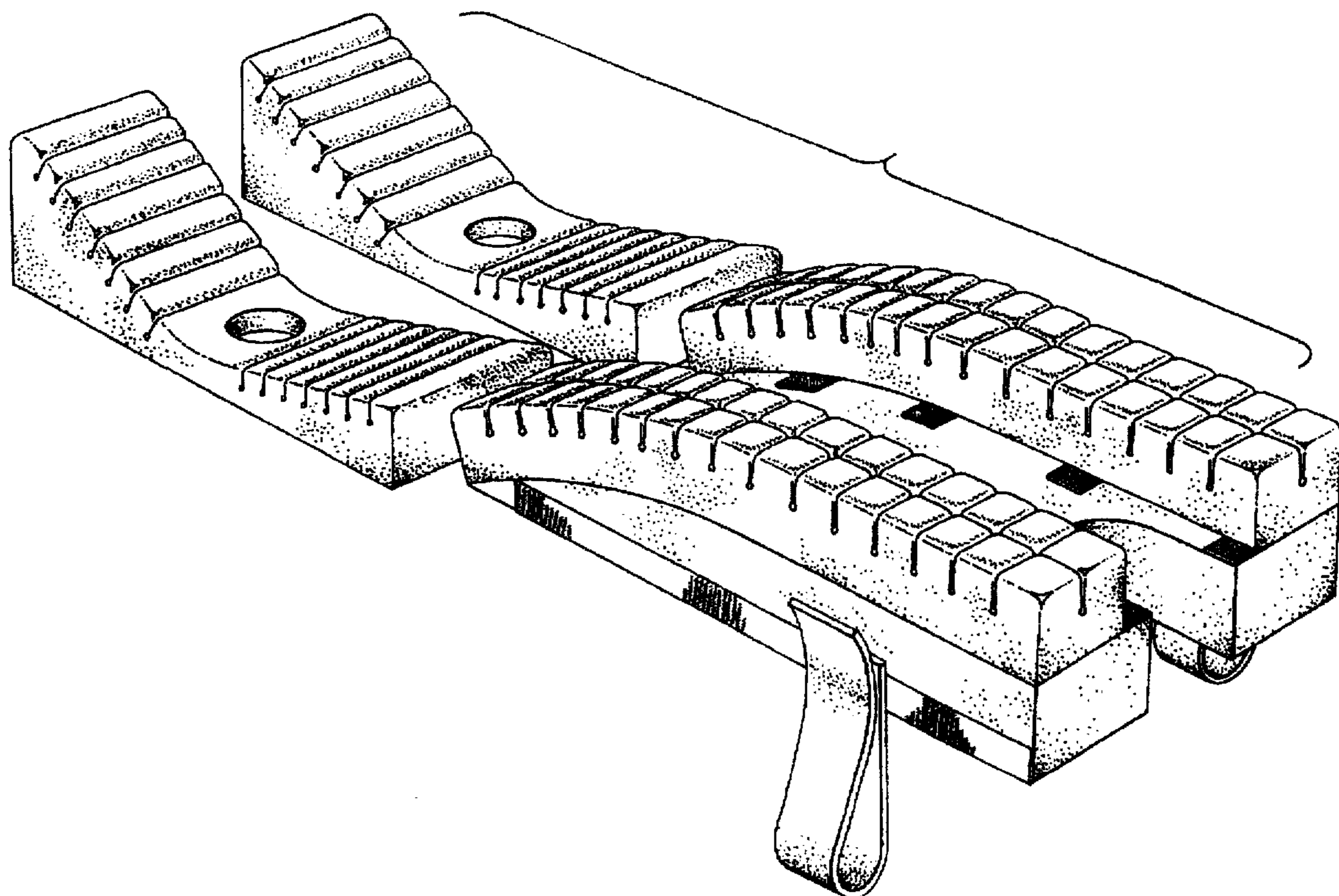
[57] **CLAIM**

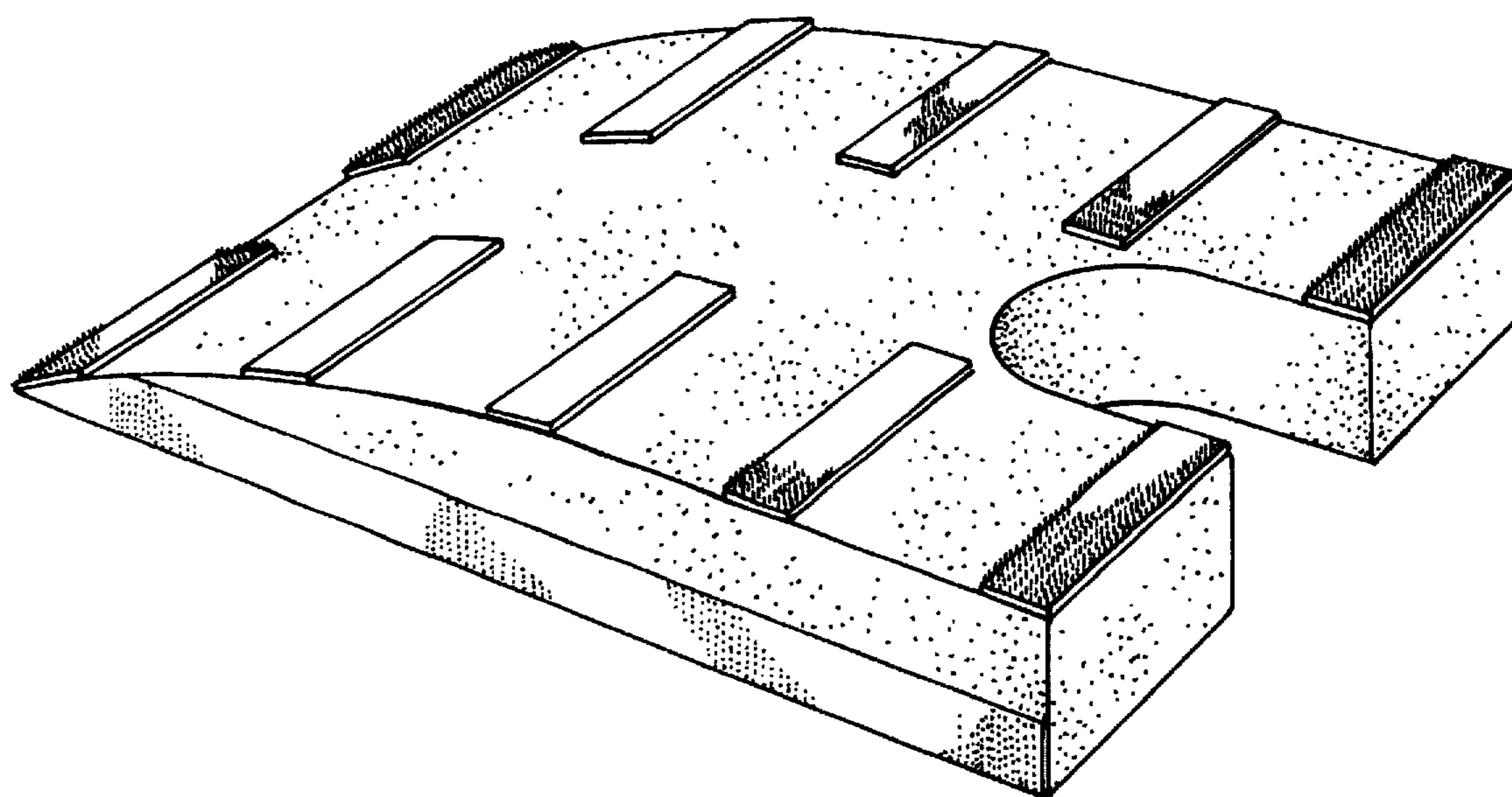
The ornamental design of a surgical patient support cushion, as shown and described.

**DESCRIPTION**

FIG. 1 is a perspective view of the rigid base portion of a surgical patient support cushion, showing my new design; FIG. 2 is a front elevational view of the surgical patient support cushion with the rigid base attached; FIG. 3 is a right side elevational view thereof, the left side elevational view being identical thereto; FIG. 4 is a back elevational view thereof; FIG. 5 is a top plan view thereof; FIG. 6 is a bottom plan view thereof; and, FIG. 7 is a perspective view thereof.

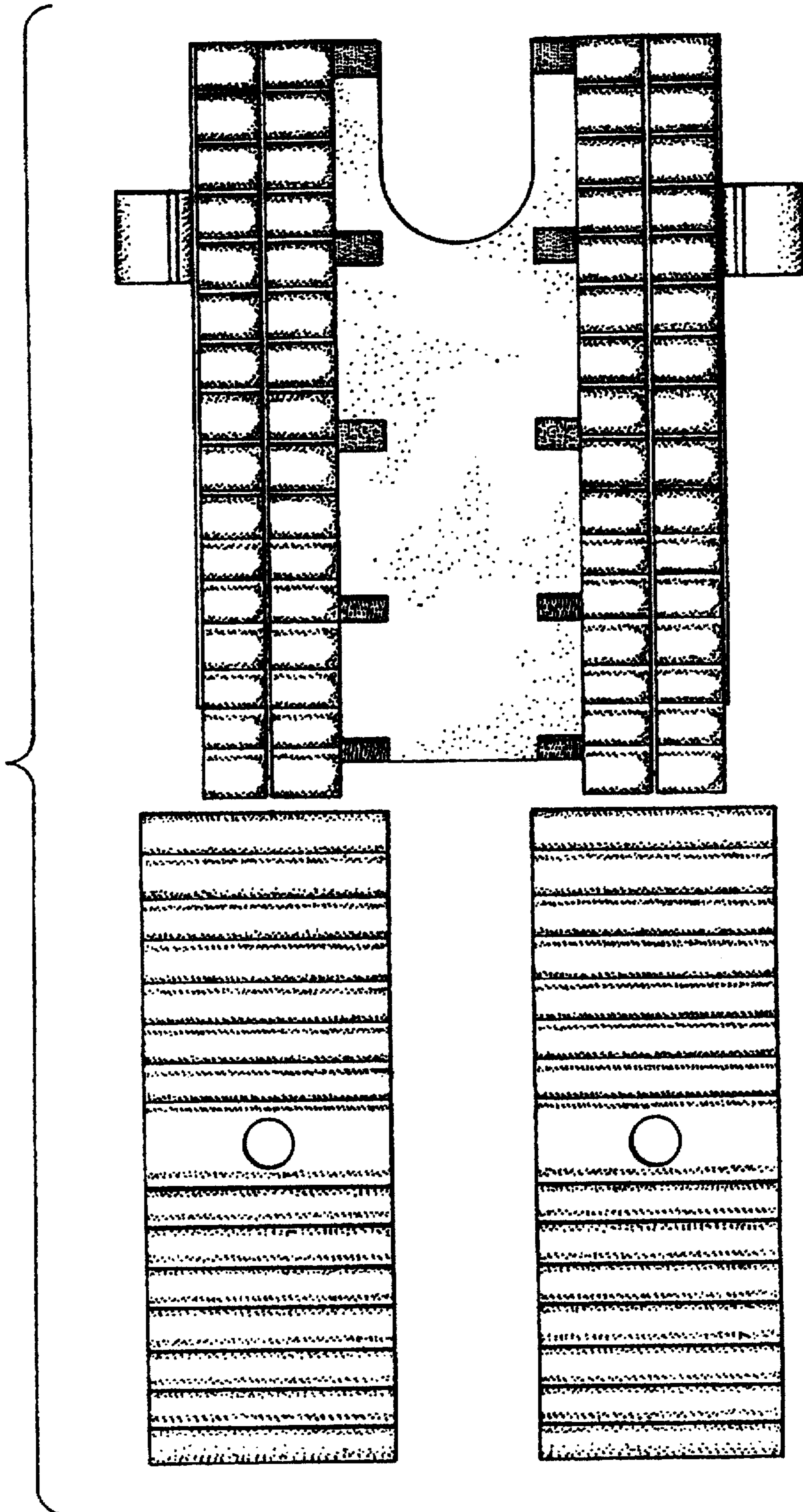
**1 Claim, 6 Drawing Sheets**



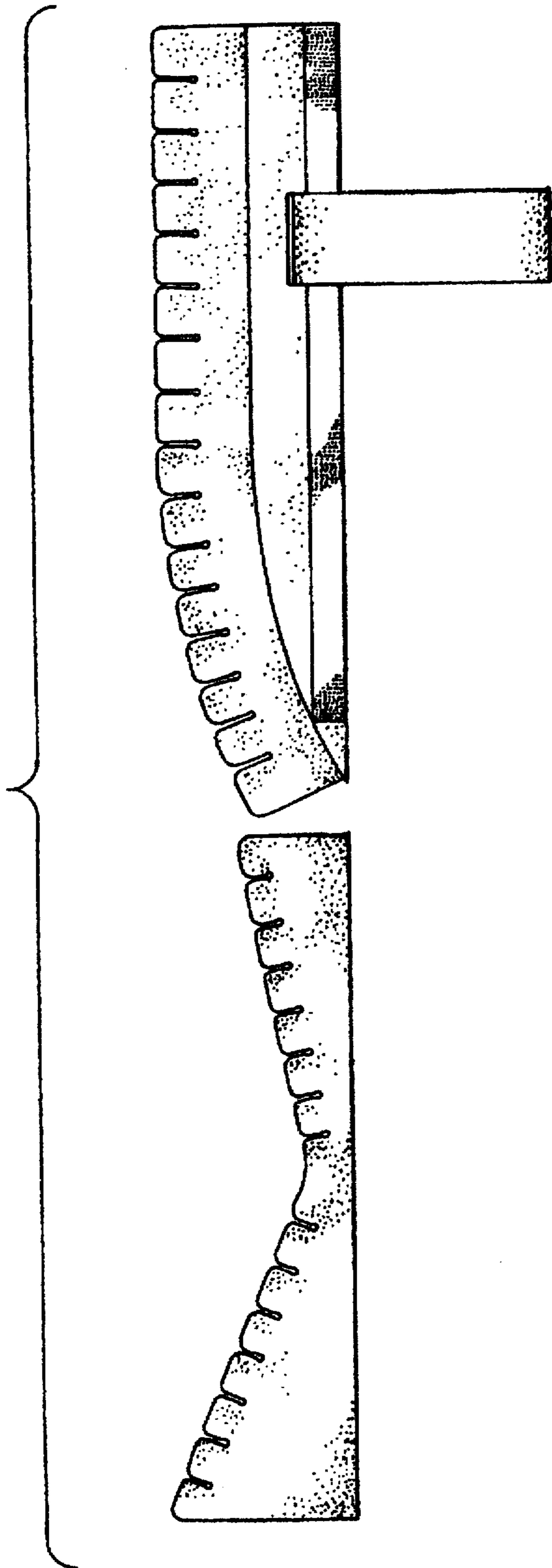


*Fig. 1*

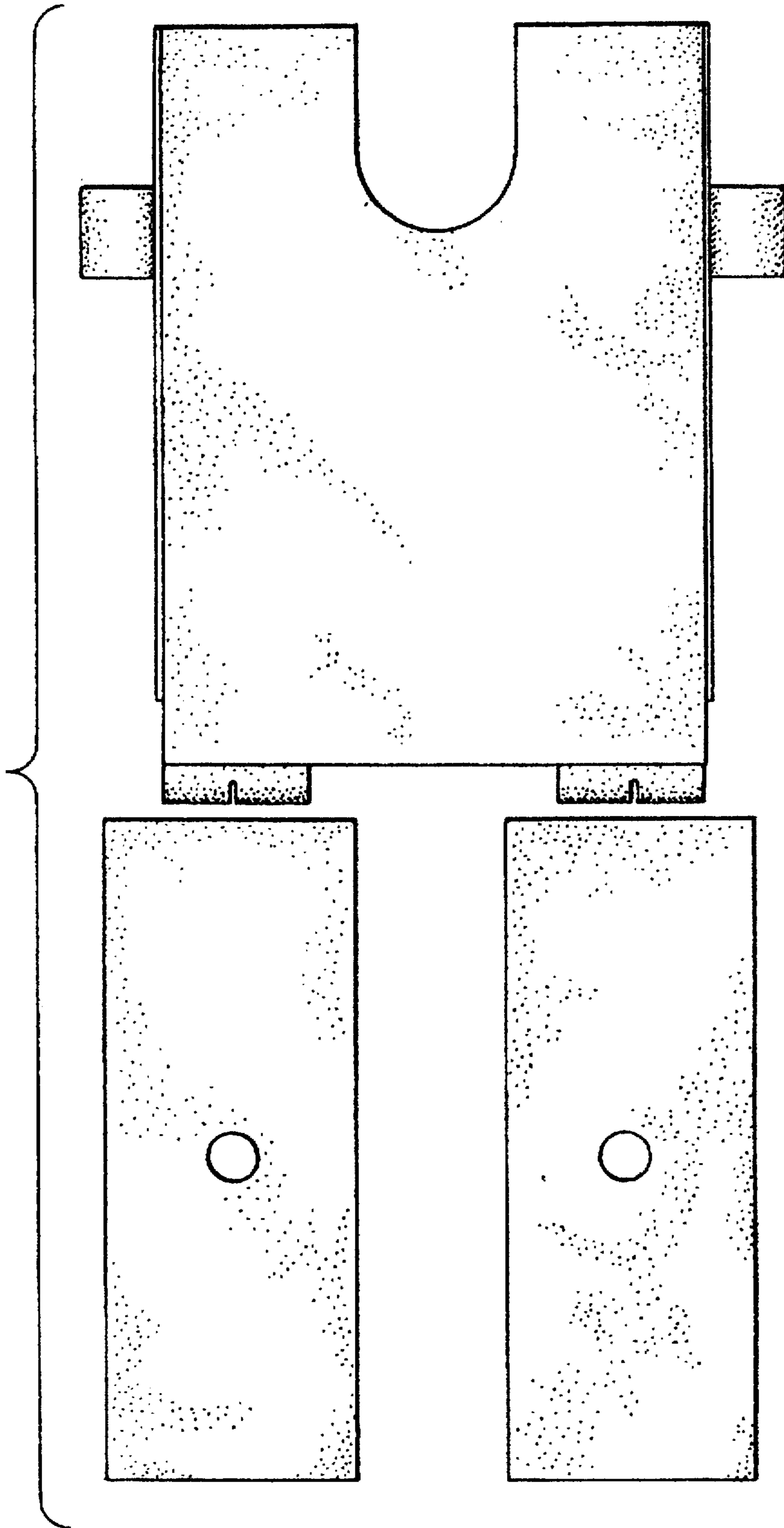




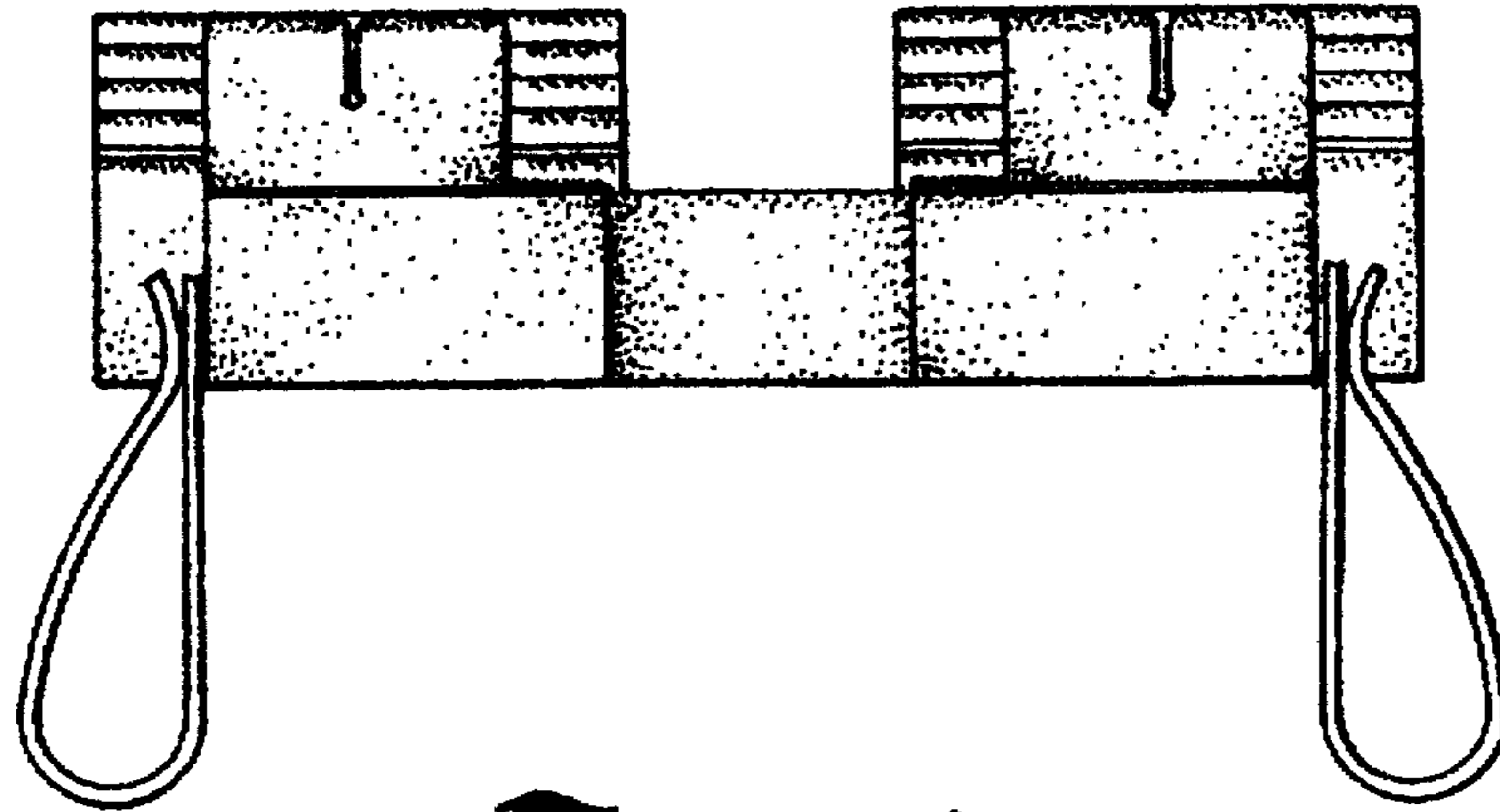
*Fig. 2*



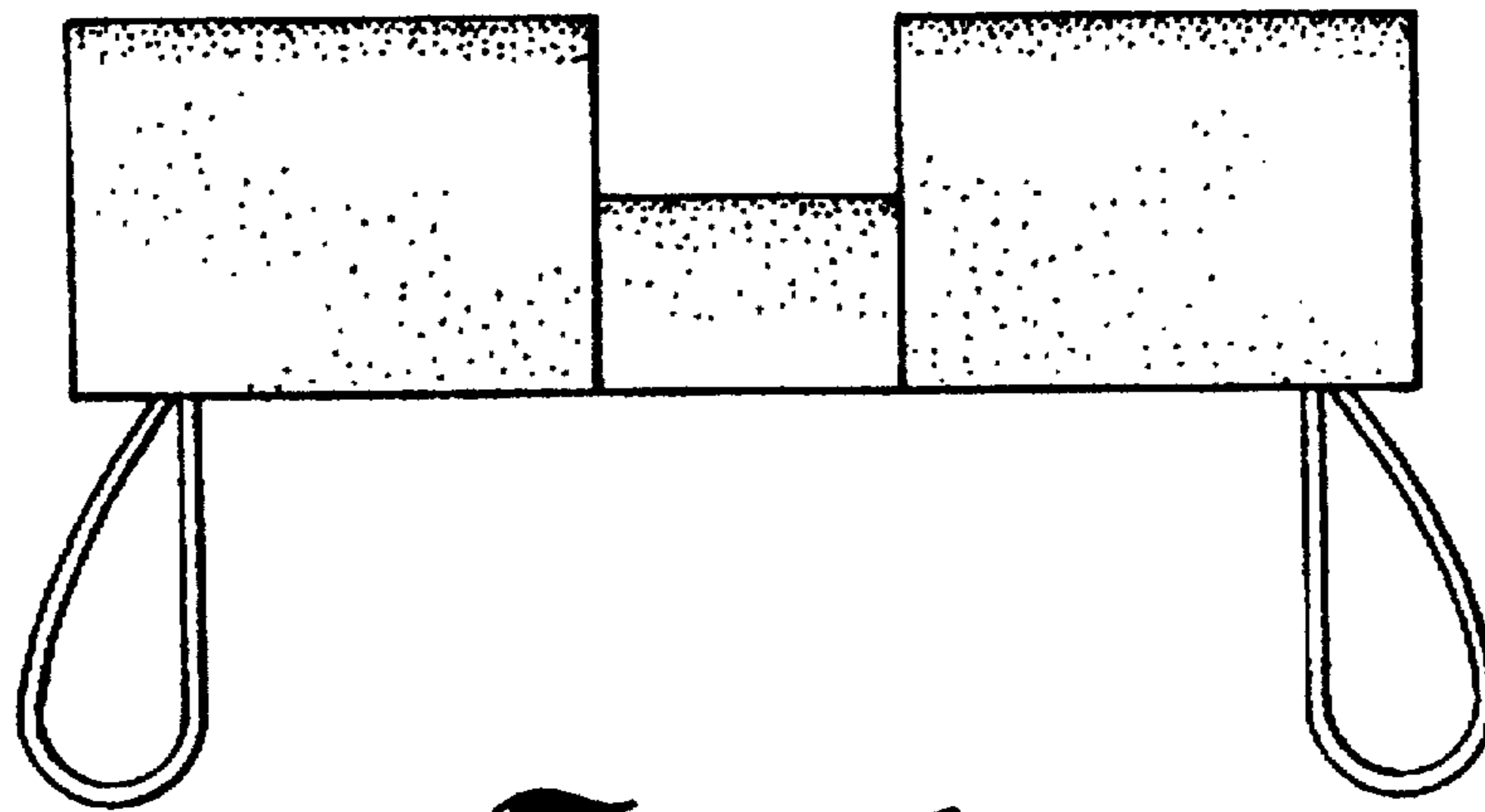
*Fig. 3*



*Fig. 4*



*Fig. 5*



*Fig. 6*



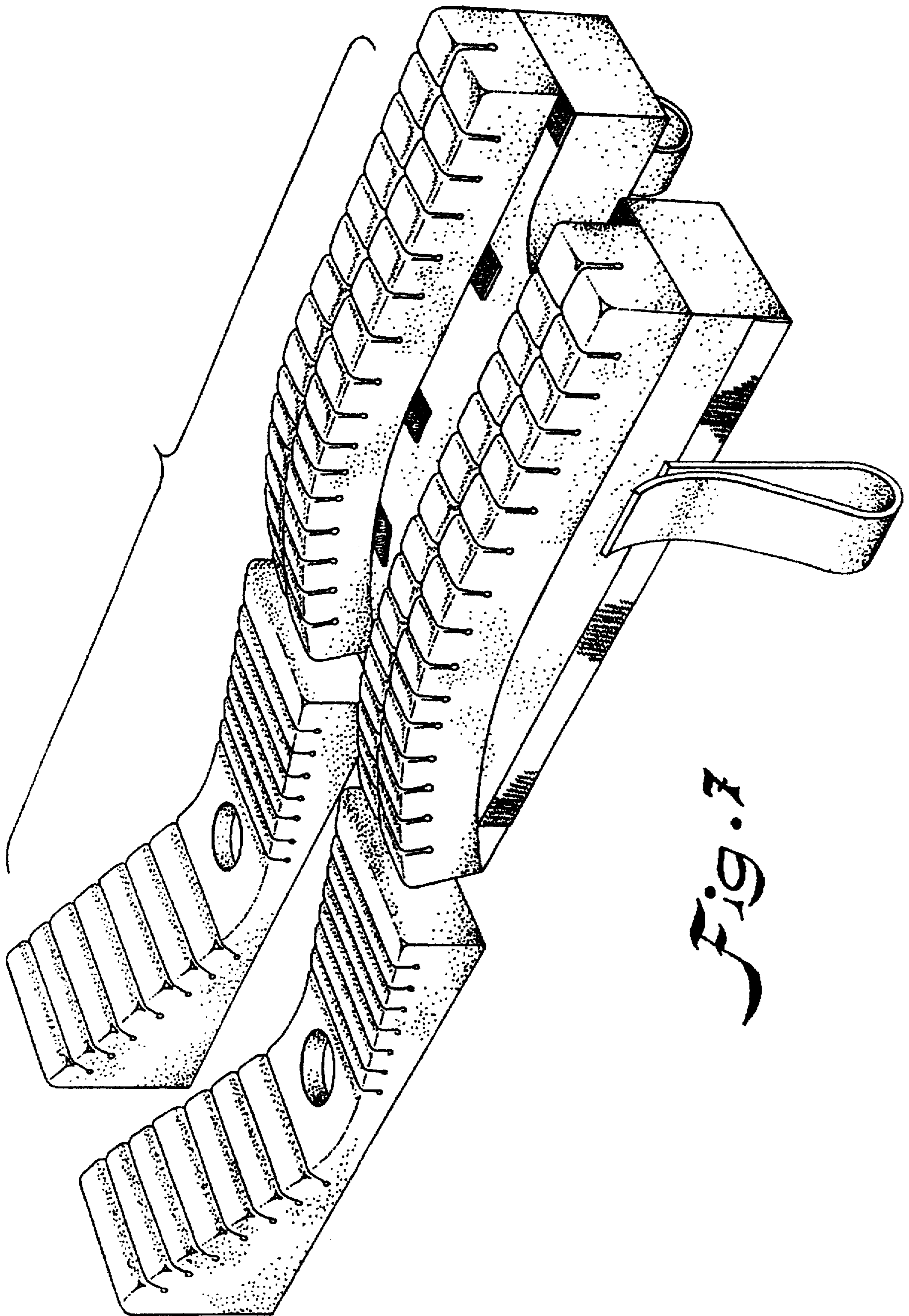


FIG. 7