



US00D390664S

United States Patent [19]
Chun-Chung

[11] **Patent Number: Des. 390,664**
[45] **Date of Patent: **Feb. 10, 1998**

[54] **BENCH**
[76] **Inventor: Chen Chun-Chung, P.O. Box 82-144, Taipei, Taiwan**
[**] **Term: 14 Years**
[21] **Appl. No.: 57,678**
[22] **Filed: Jul. 30, 1996**
[51] **LOC (6) Cl. 06-01**
[52] **U.S. Cl. D24/183; D21/191**
[58] **Field of Search D21/191; D6/335, D6/349, 363; 482/142, 130; D24/183; 128/845**

5,453,080 9/1995 Mitchum, Jr. 128/845
5,472,401 12/1995 Rouillard et al. 482/142
5,538,011 7/1996 Craft et al. 128/845
5,586,560 12/1996 Boutos 128/845

Primary Examiner—Philip S. Hyder
Attorney, Agent, or Firm—A & J

[57] **CLAIM**

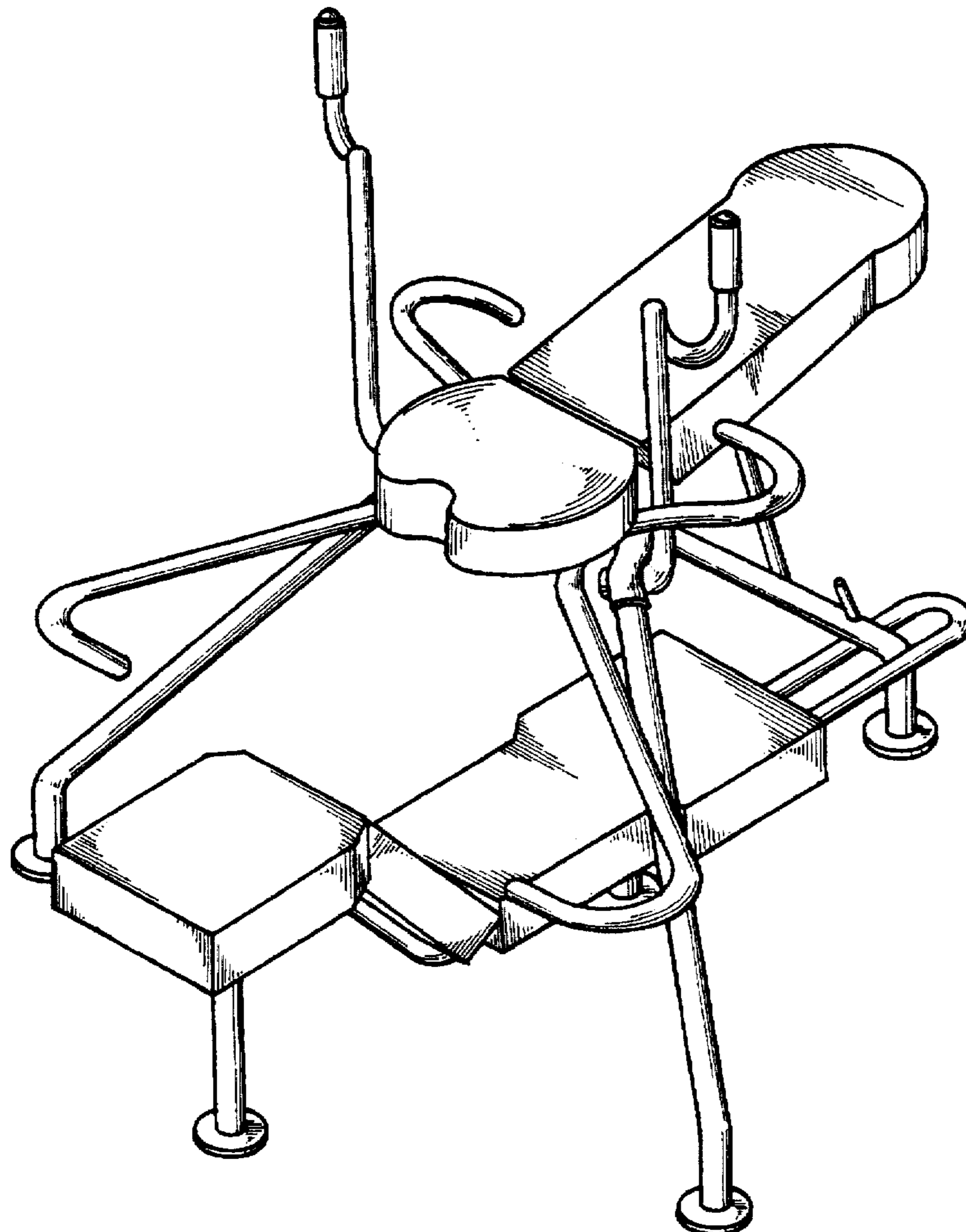
The ornamental design for a bench, as shown and described.

DESCRIPTION

FIG. 1 is a perspective view of a bench showing my new design;
FIG. 2 is a front side elevational view thereof;
FIG. 3 is a rear side elevational view thereof;
FIG. 4 is a left view thereof;
FIG. 5 is a right view thereof;
FIG. 6 is a top plan view thereof; and,
FIG. 7 is a bottom plan view thereof.

[56] **References Cited**
U.S. PATENT DOCUMENTS
D. 369,840 5/1996 Clem D21/191
4,861,025 8/1989 Rockwell 482/142
4,883,269 11/1989 Shaver 482/138
5,385,154 1/1995 Fuhrman et al. 128/845

1 Claim, 4 Drawing Sheets



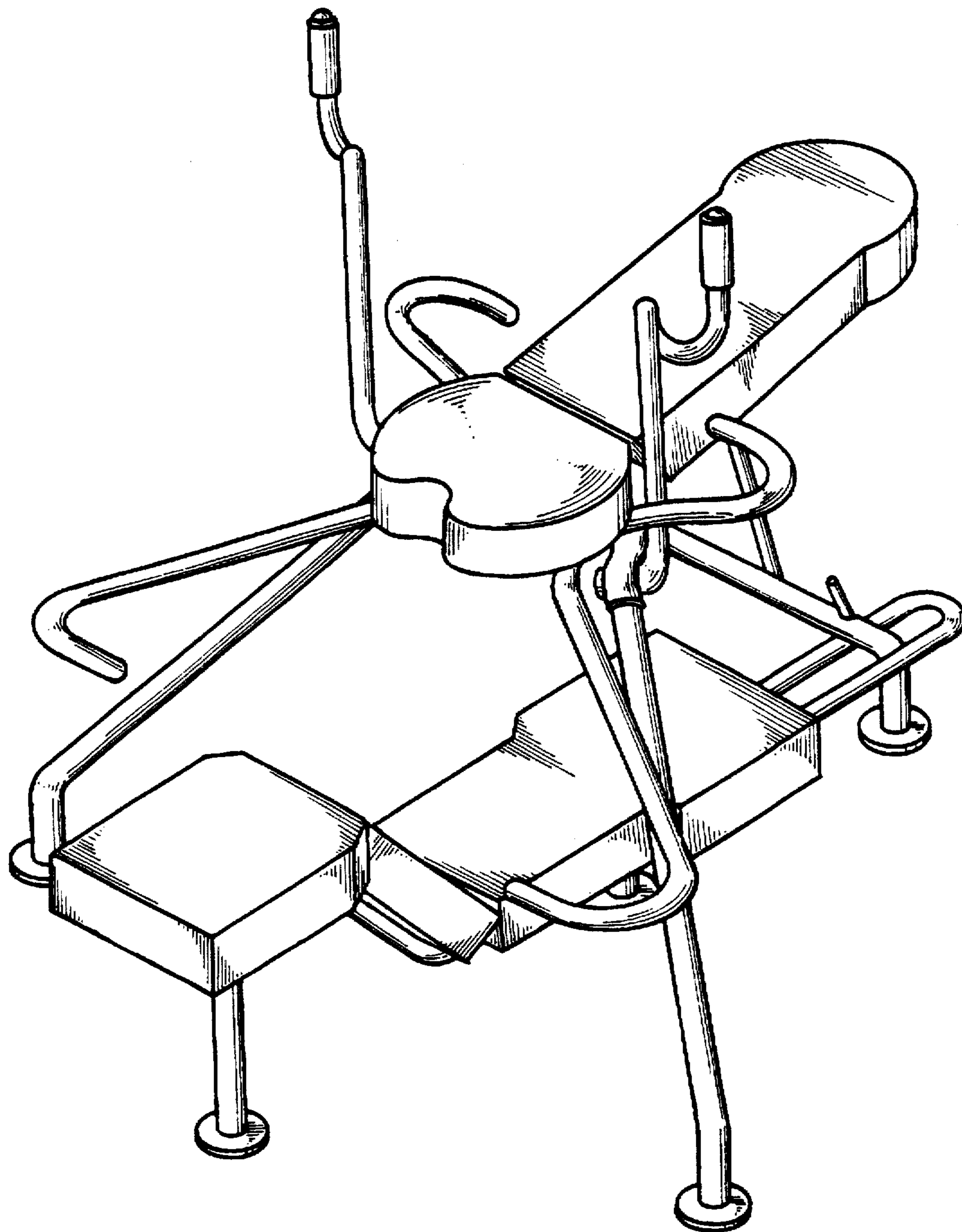


FIG. 1

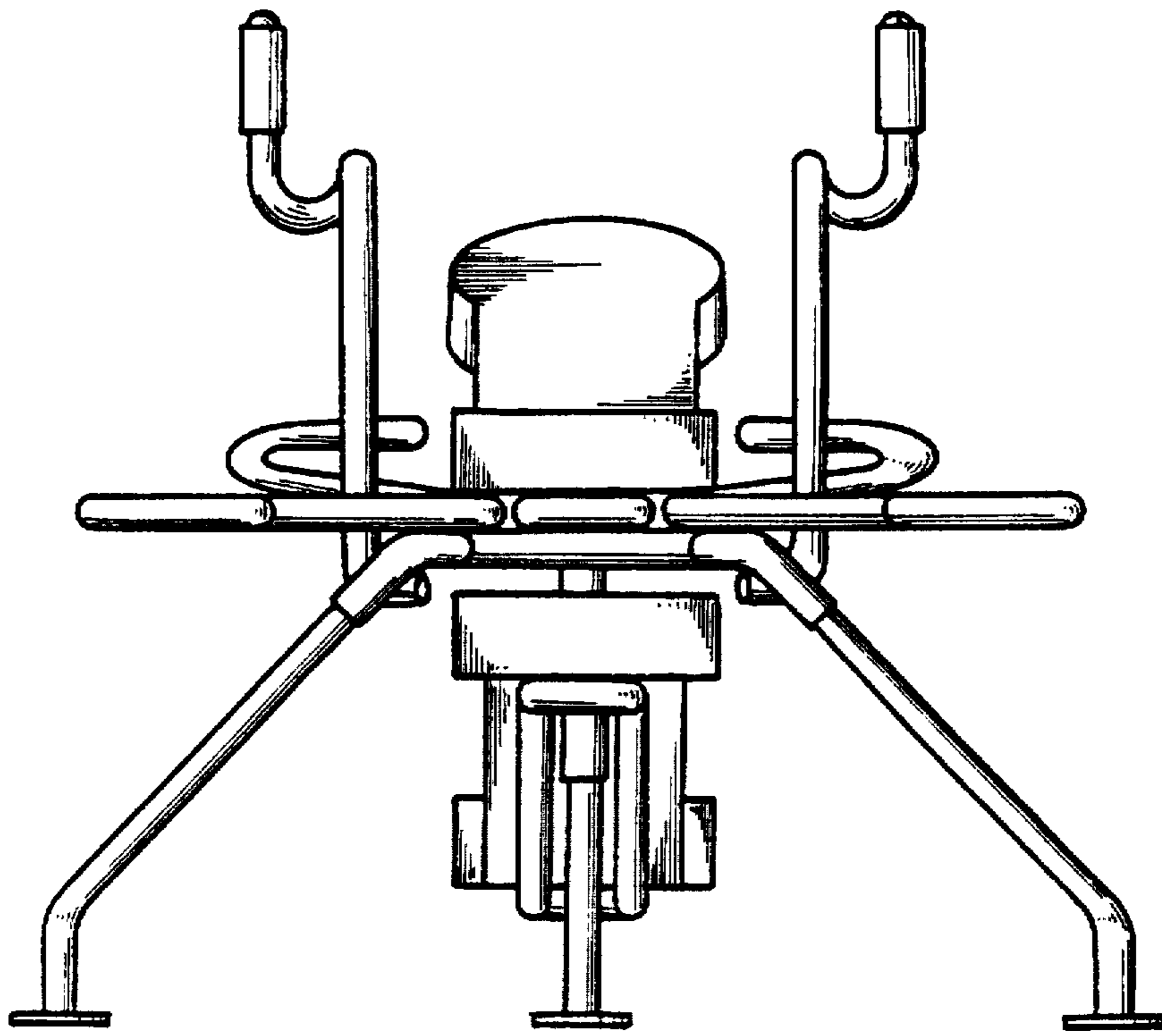


FIG. 2

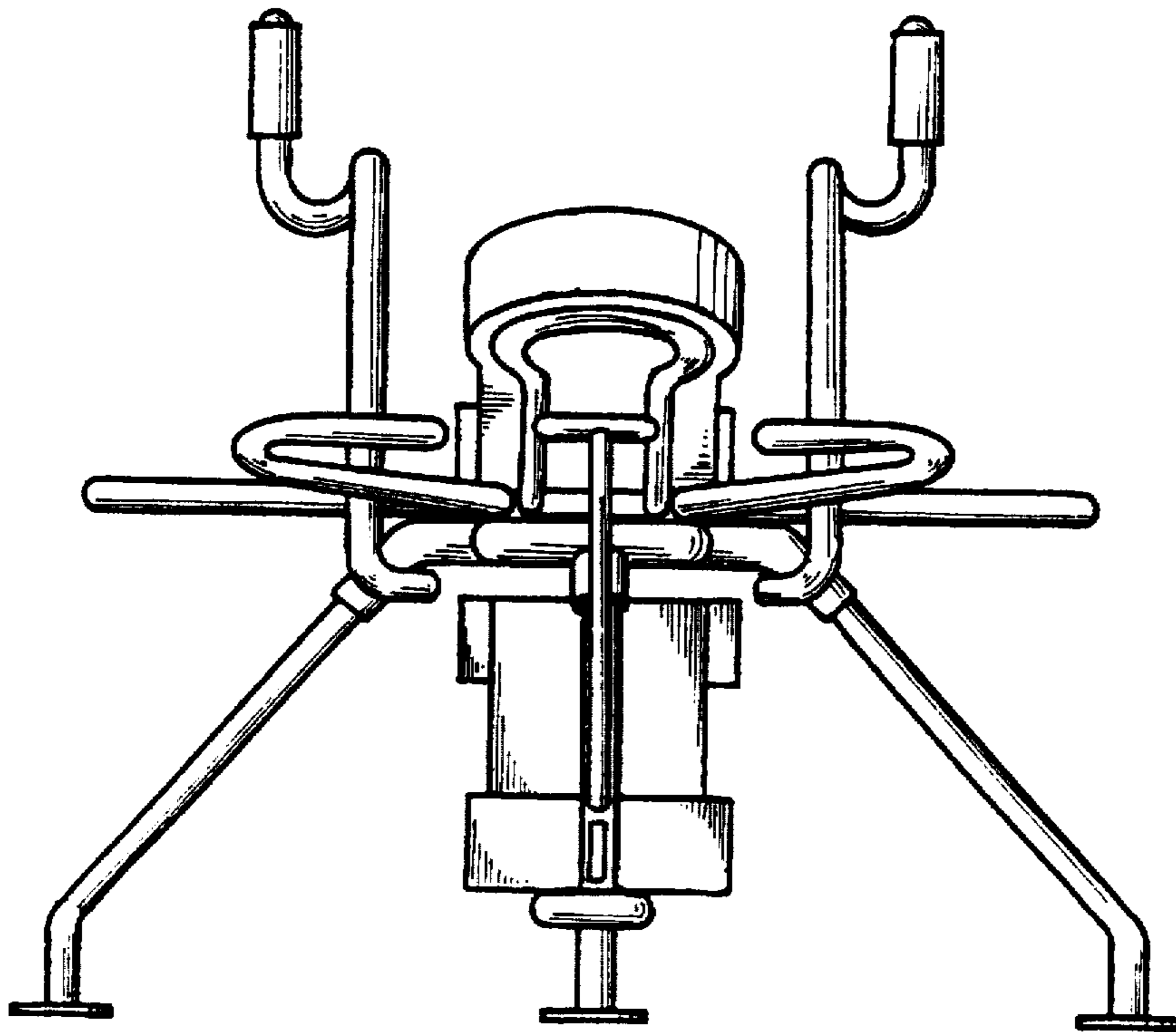


FIG. 3

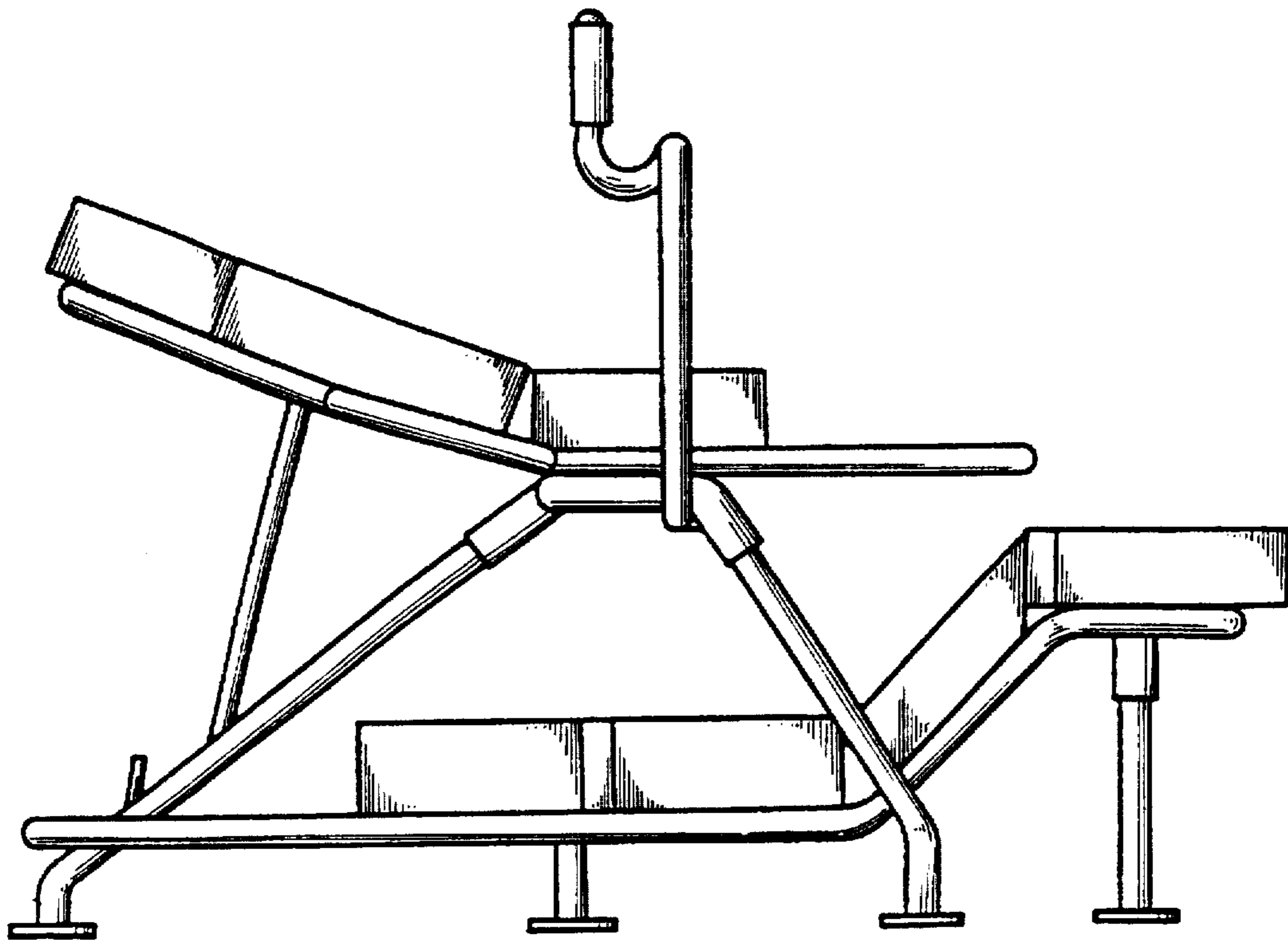


FIG. 4

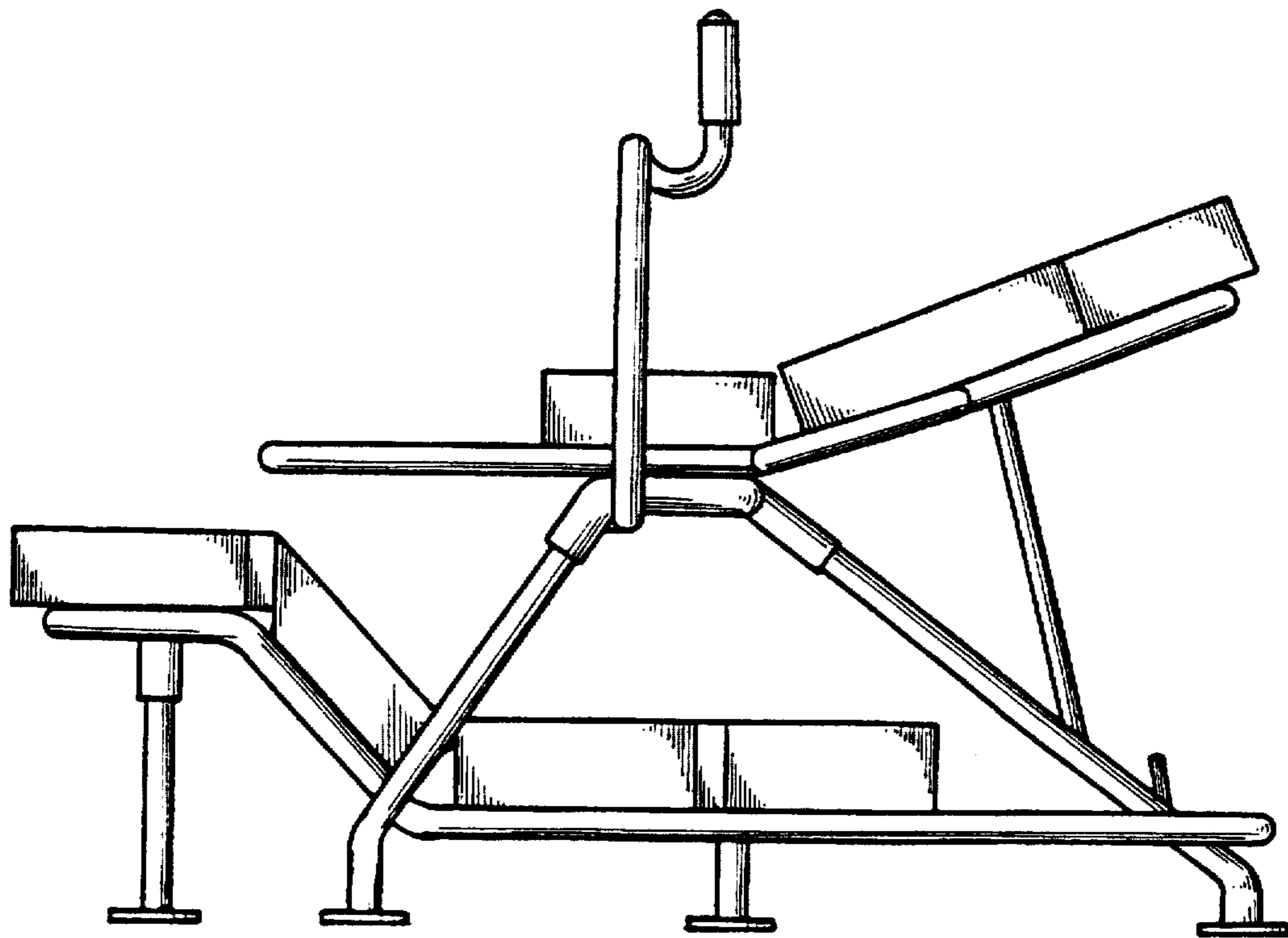


FIG. 5

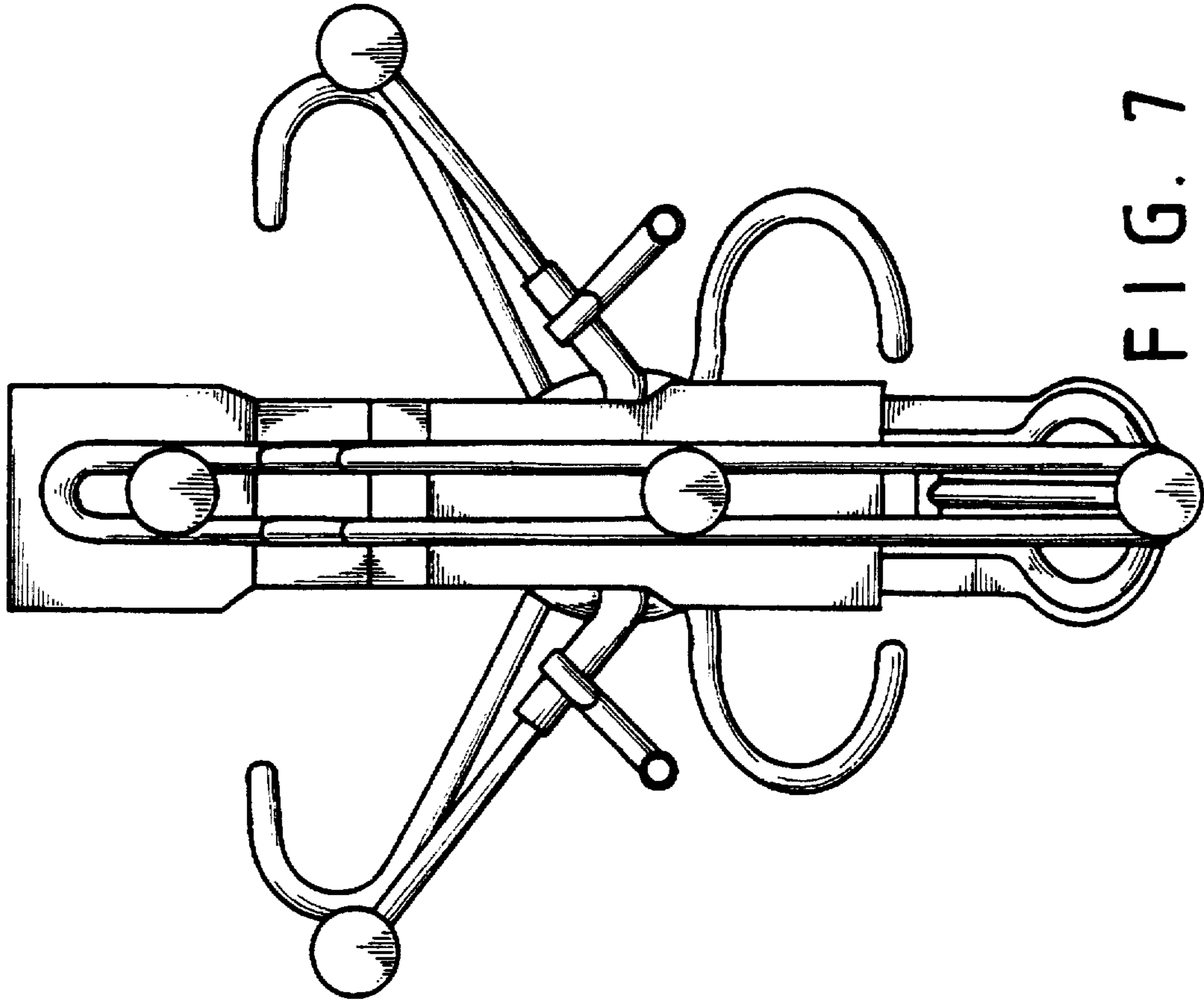


FIG. 7

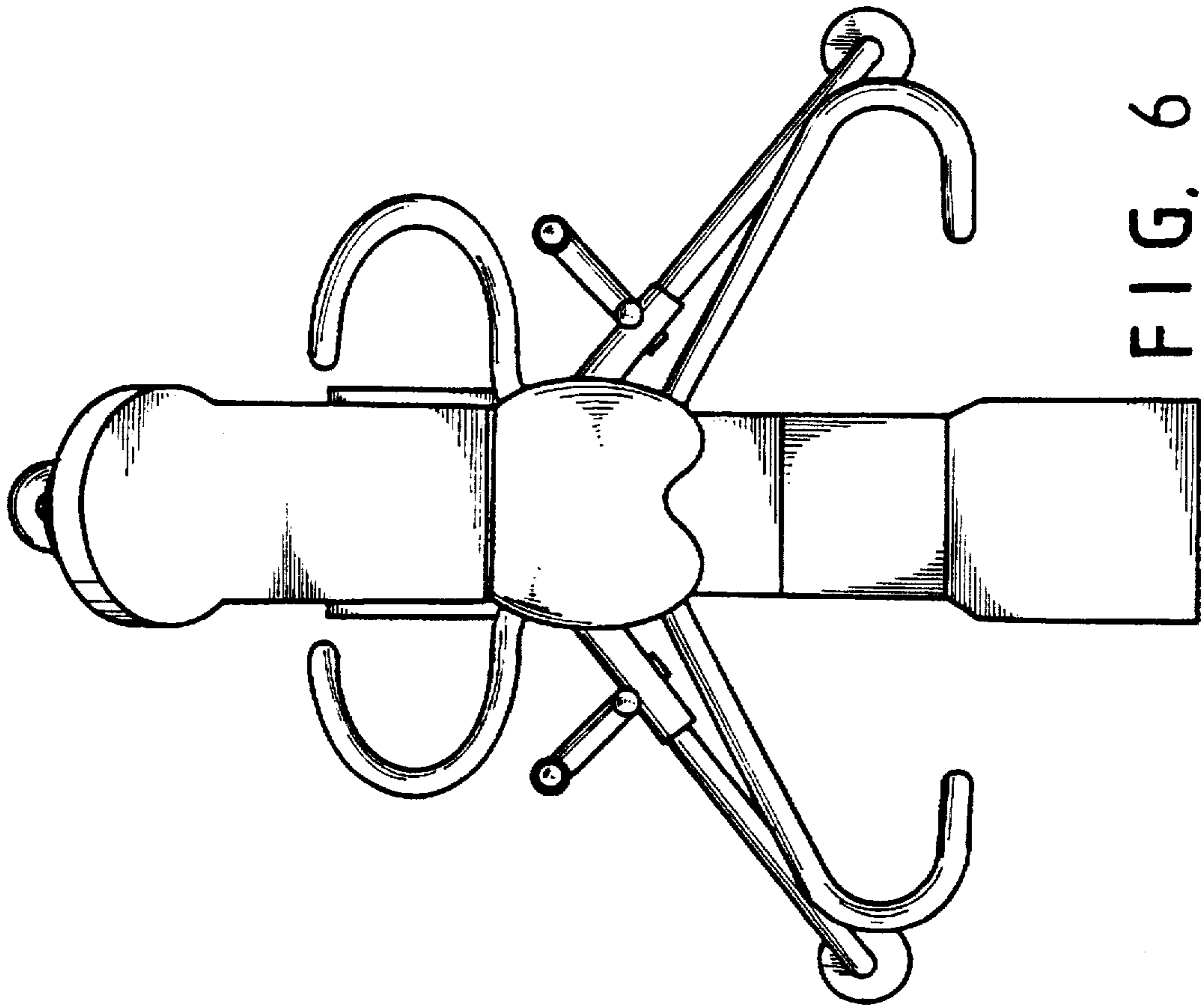


FIG. 6