



US00D390663S

United States Patent [19]

Wolf et al.

[11] Patent Number: **Des. 390,663**

[45] Date of Patent: ****Feb. 10, 1998**

[54] **KERATOMETER**

[75] Inventors: **Theodor Wolf**, Senden, Germany;
Hilmar Bussacker, Olten, Switzerland

[73] Assignee: **Haag-Streit AG**, Koniz, Switzerland

[**] Term: **14 Years**

[21] Appl. No.: **67,301**

[22] Filed: **Mar. 3, 1997**

[30] **Foreign Application Priority Data**

Oct. 17, 1996 [WO] WIPO DM/037928

[51] LOC (6) Cl. **24-01**

[52] U.S. Cl. **D24/172**

[58] Field of Search D24/172; 351/200,
351/205, 211, 212, 221, 237

[56] **References Cited**

U.S. PATENT DOCUMENTS

D. 293,818 1/1988 Speaker D24/172

D. 299,745 2/1989 Sasaki et al. D24/172
3,972,602 8/1976 Inns 351/205 X
4,407,572 10/1983 Humphrey 351/212
4,429,960 2/1984 Mocilac et al. 351/212

Primary Examiner—Stella Reid

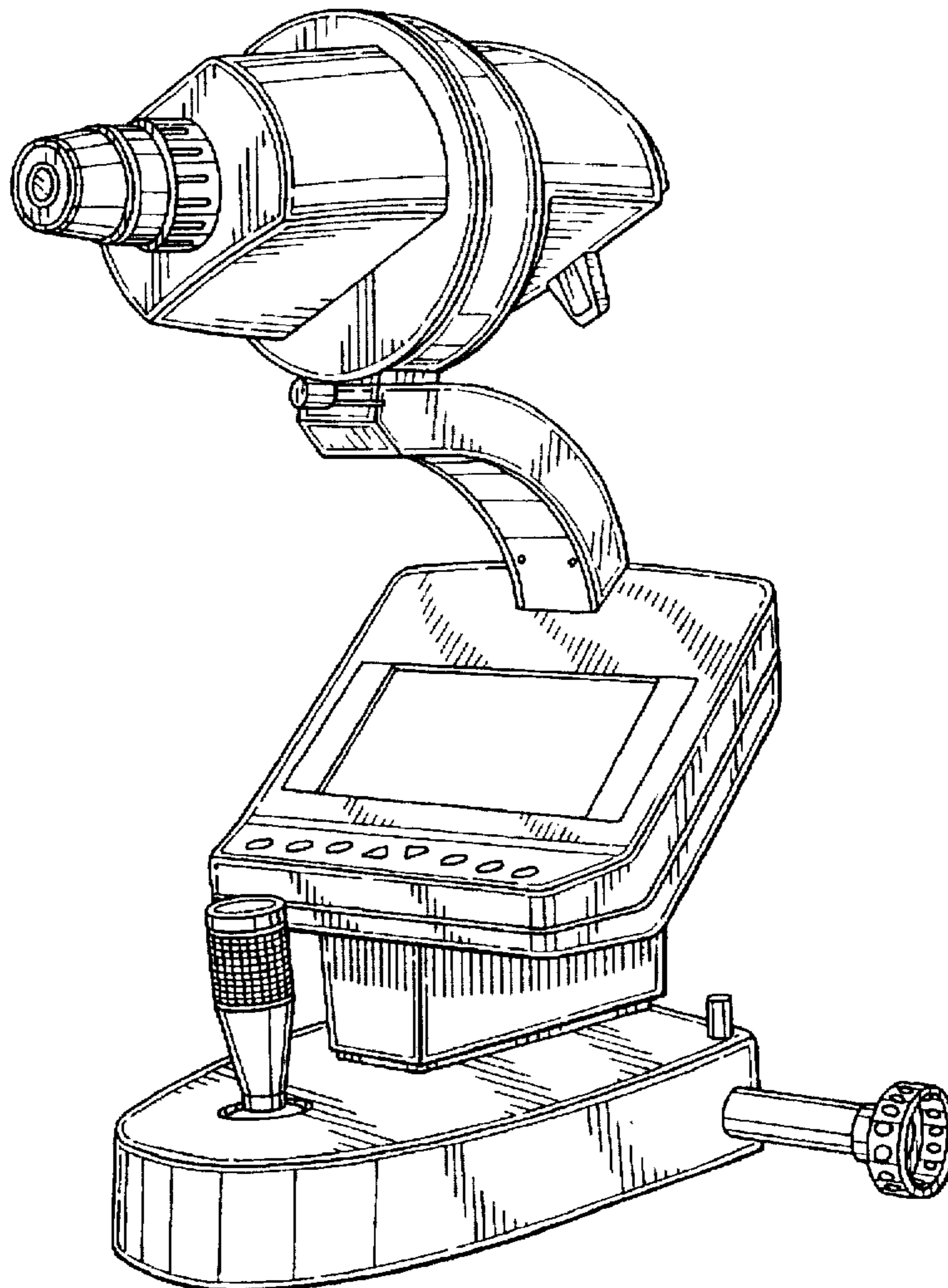
[57] **CLAIM**

The ornamental described design for a keratometer, as shown and described.

DESCRIPTION

FIG. 1 is a front elevational view of a keratometer showing our new design;
FIG. 2 is a right side elevational view thereof;
FIG. 3 is a left side elevational view thereof;
FIG. 4 is a rear elevational view thereof;
FIG. 5 is a top plan view thereof;
FIG. 6 is a bottom plan view thereof;
FIG. 7 is a perspective view showing the front and left side thereof; and,
FIG. 8 is a perspective view showing the rear and left side thereof.

1 Claim, 4 Drawing Sheets



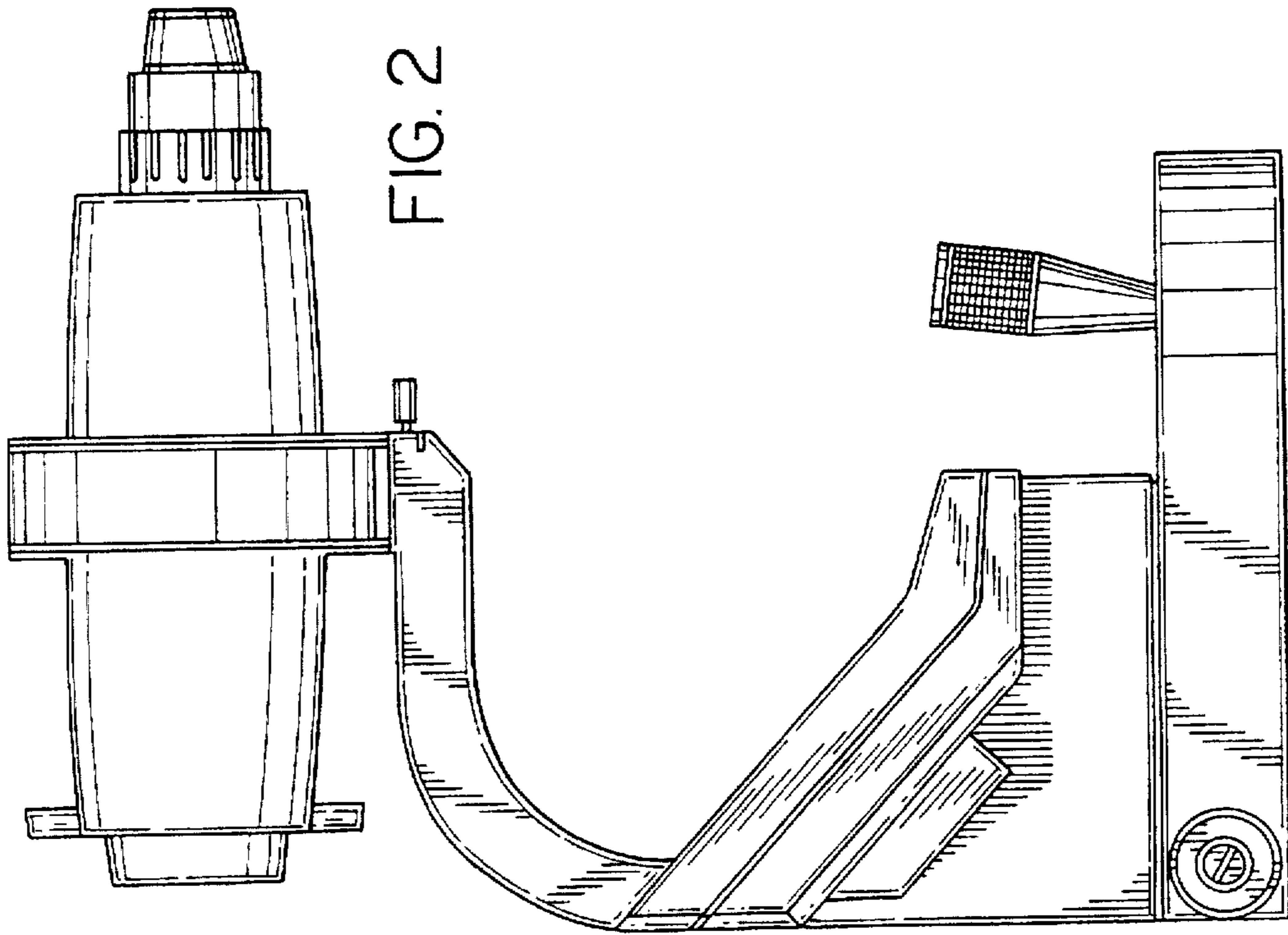


FIG. 2

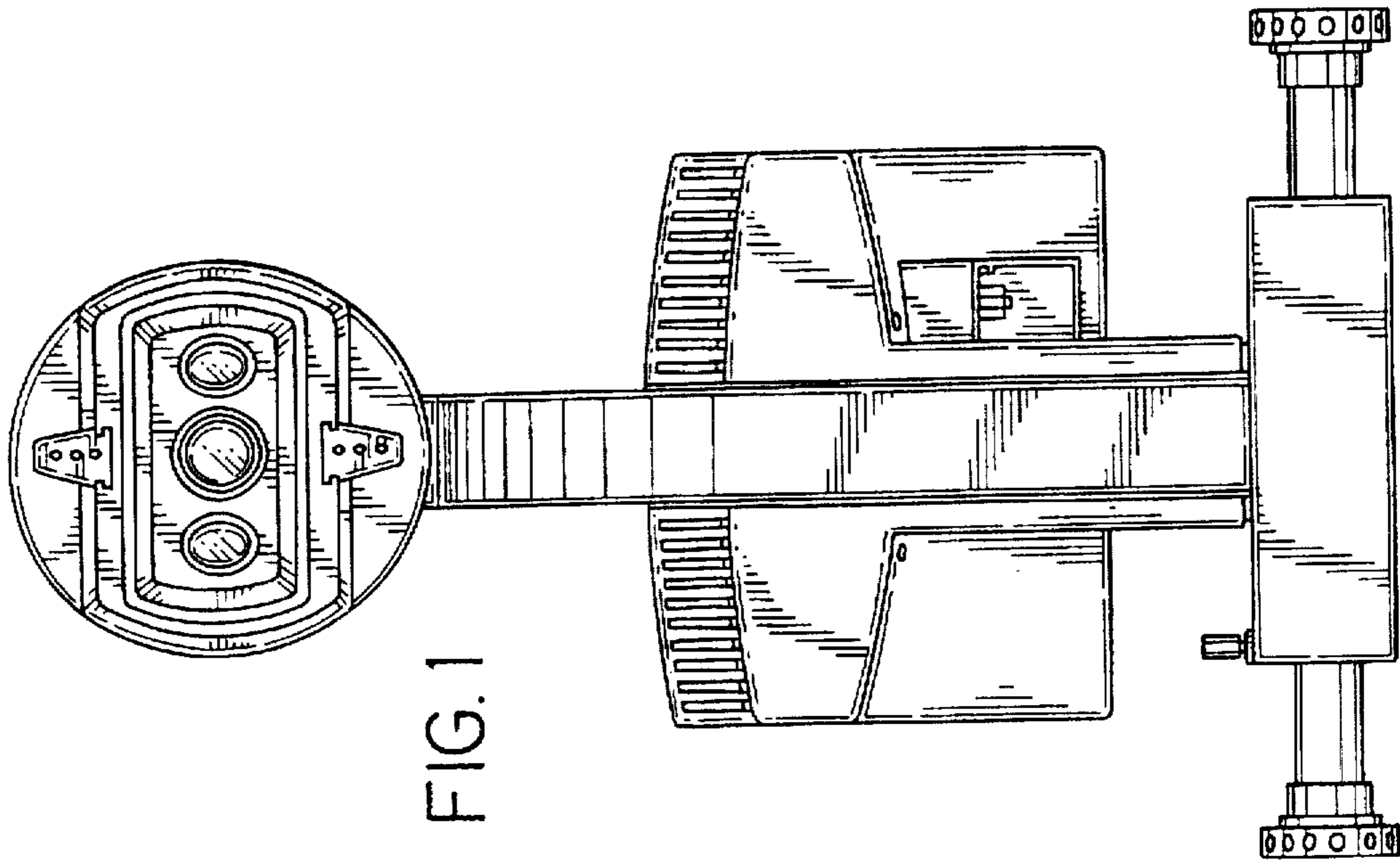


FIG. 1

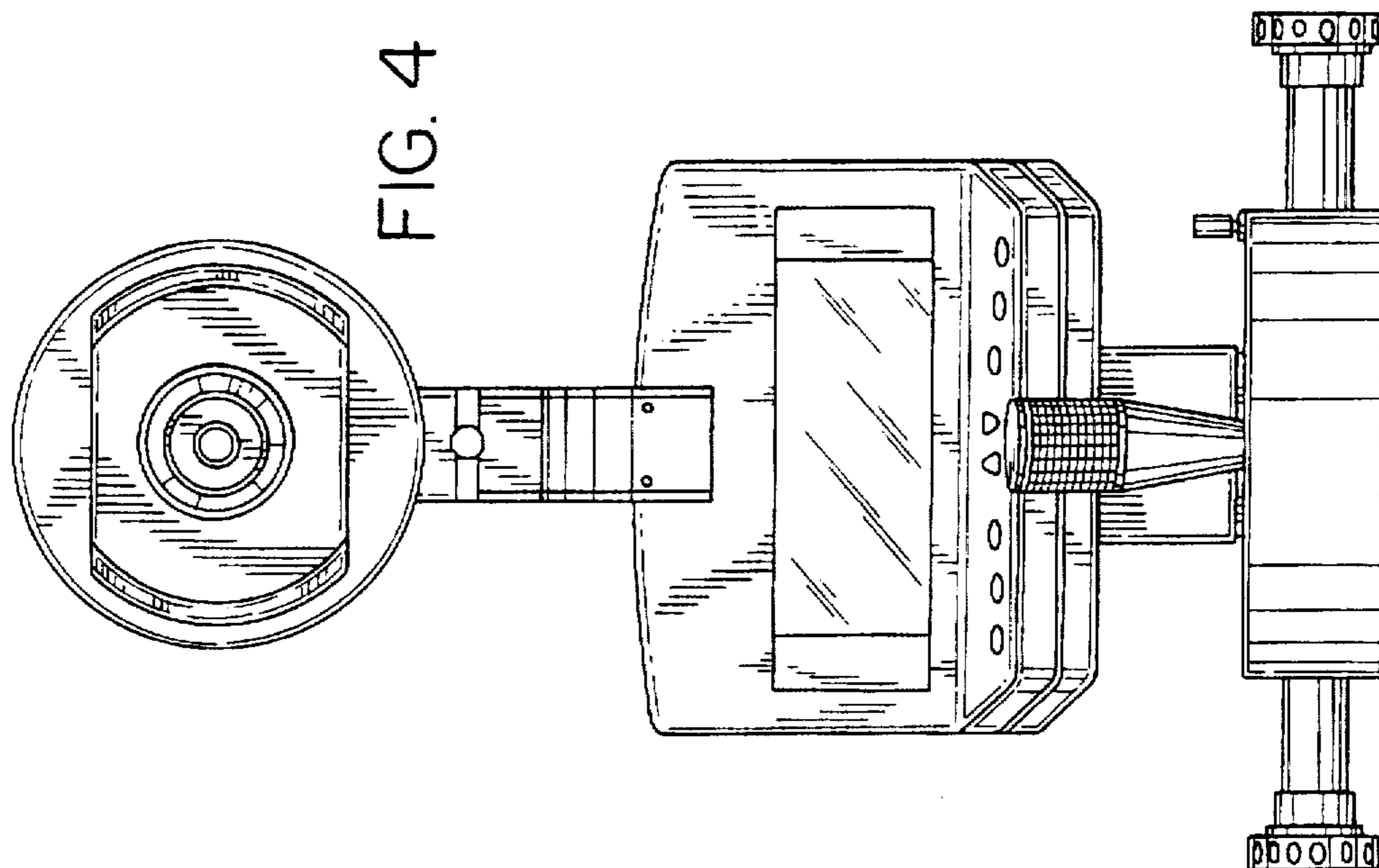


FIG. 4

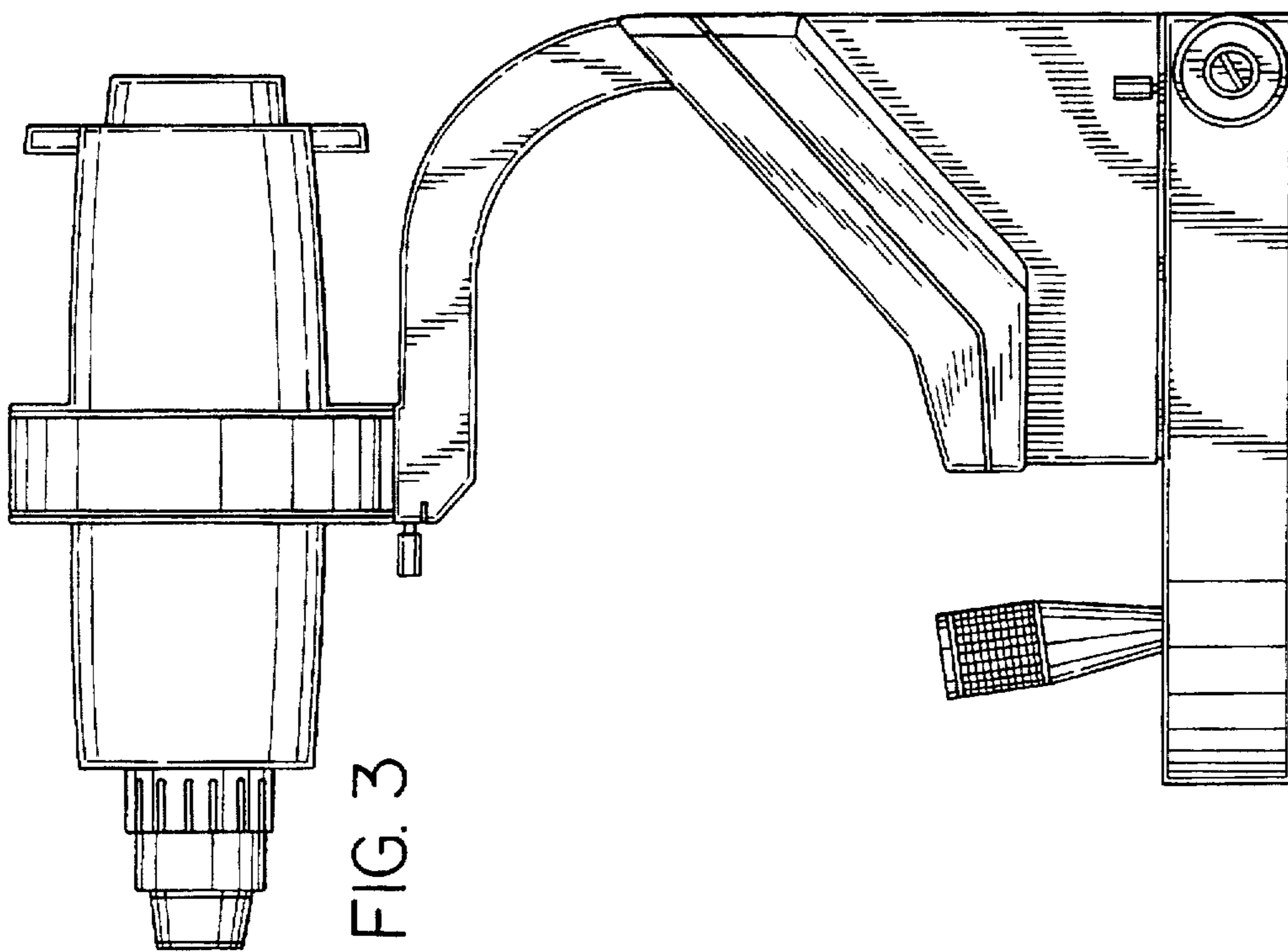


FIG. 3

FIG. 6

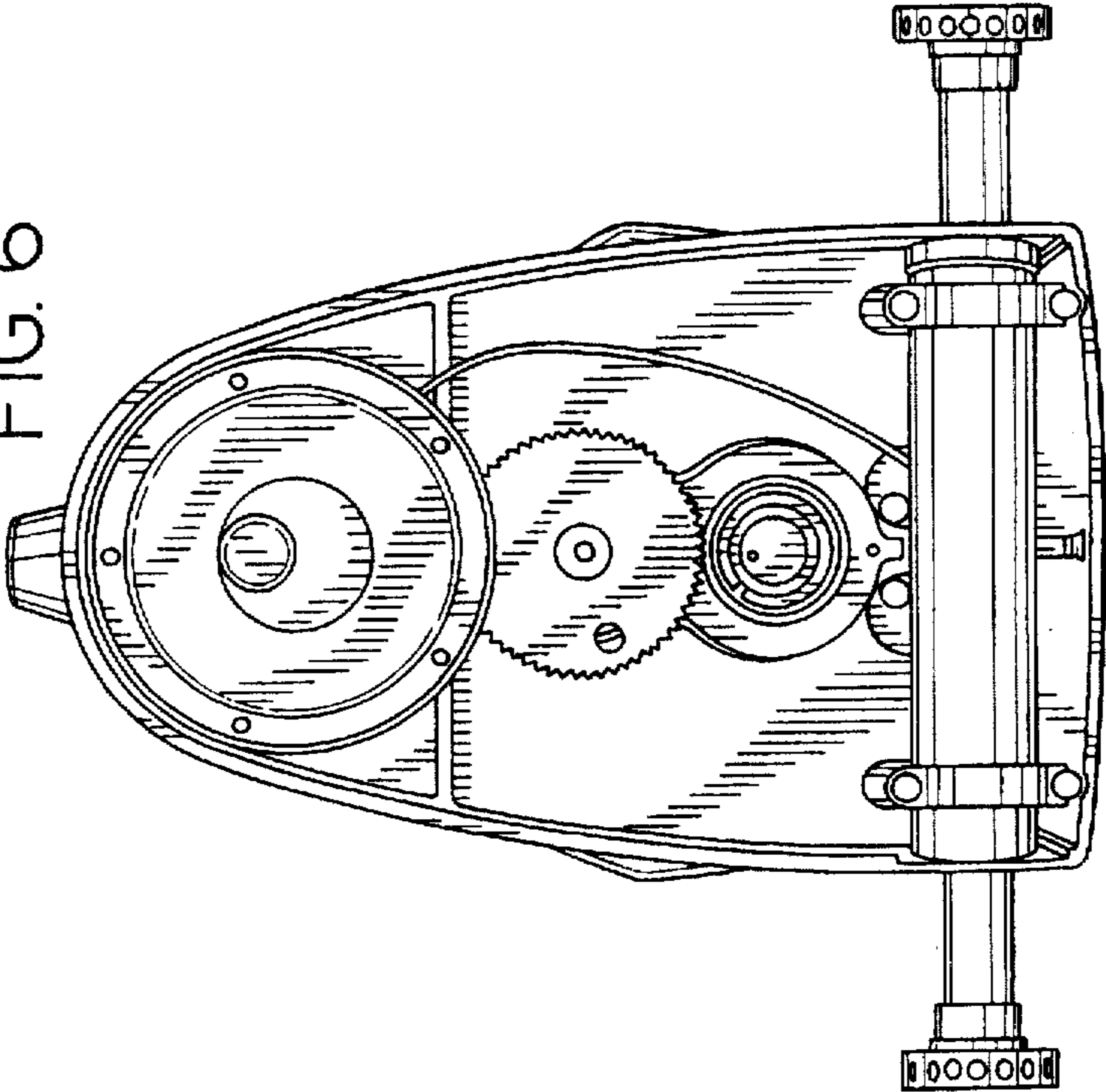


FIG. 5

