



US00D390662S

**United States Patent** [19]  
**Cooper**

[11] **Patent Number:** **Des. 390,662**  
[45] **Date of Patent:** **\*\*Feb. 10, 1998**

[54] **EYE EXAMINATION APPARATUS**  
[75] **Inventor:** **Devin Glenn Cooper, Fairport, N.Y.**  
[73] **Assignee:** **Welch Allyn, Inc., Skaneateles Falls, N.Y.**  
[\*\*] **Term:** **14 Years**  
[21] **Appl. No.:** **66,763**  
[22] **Filed:** **Feb. 26, 1997**  
[51] **LOC (6) Cl.** ..... **24-01**  
[52] **U.S. Cl.** ..... **D24/172**  
[58] **Field of Search** ..... **D24/172; 351/232, 351/237, 239, 243, 244, 203, 213, 222, 233**

4,740,072 4/1988 Griffin et al. .... 351/243  
4,844,607 7/1989 Andera et al. .... 351/243  
4,869,589 9/1989 Blair et al. .... 351/243

*Primary Examiner*—Stella Reid  
*Attorney, Agent, or Firm*—Wall Marjama & Bilinski

[57] **CLAIM**

The ornamental design for an eye examination apparatus, as shown and described.

**DESCRIPTION**

FIG. 1 is a front perspective view of an eye examination apparatus, showing my new design;  
FIG. 2 is a rear perspective view thereof;  
FIG. 3 is a left side elevational view thereof;  
FIG. 4 is a right side elevational view thereof;  
FIG. 5 is a top plan view thereof;  
FIG. 6 is a bottom plan view thereof;  
FIG. 7 is a front elevational view thereof; and,  
FIG. 8 is a rear elevational view thereof.

[56] **References Cited**

**U.S. PATENT DOCUMENTS**

D. 163,942 7/1951 Gerhardt ..... D24/172  
3,205,505 9/1965 Fletcher et al. .... 351/243  
4,402,580 9/1983 Ross ..... 351/203

**1 Claim, 4 Drawing Sheets**

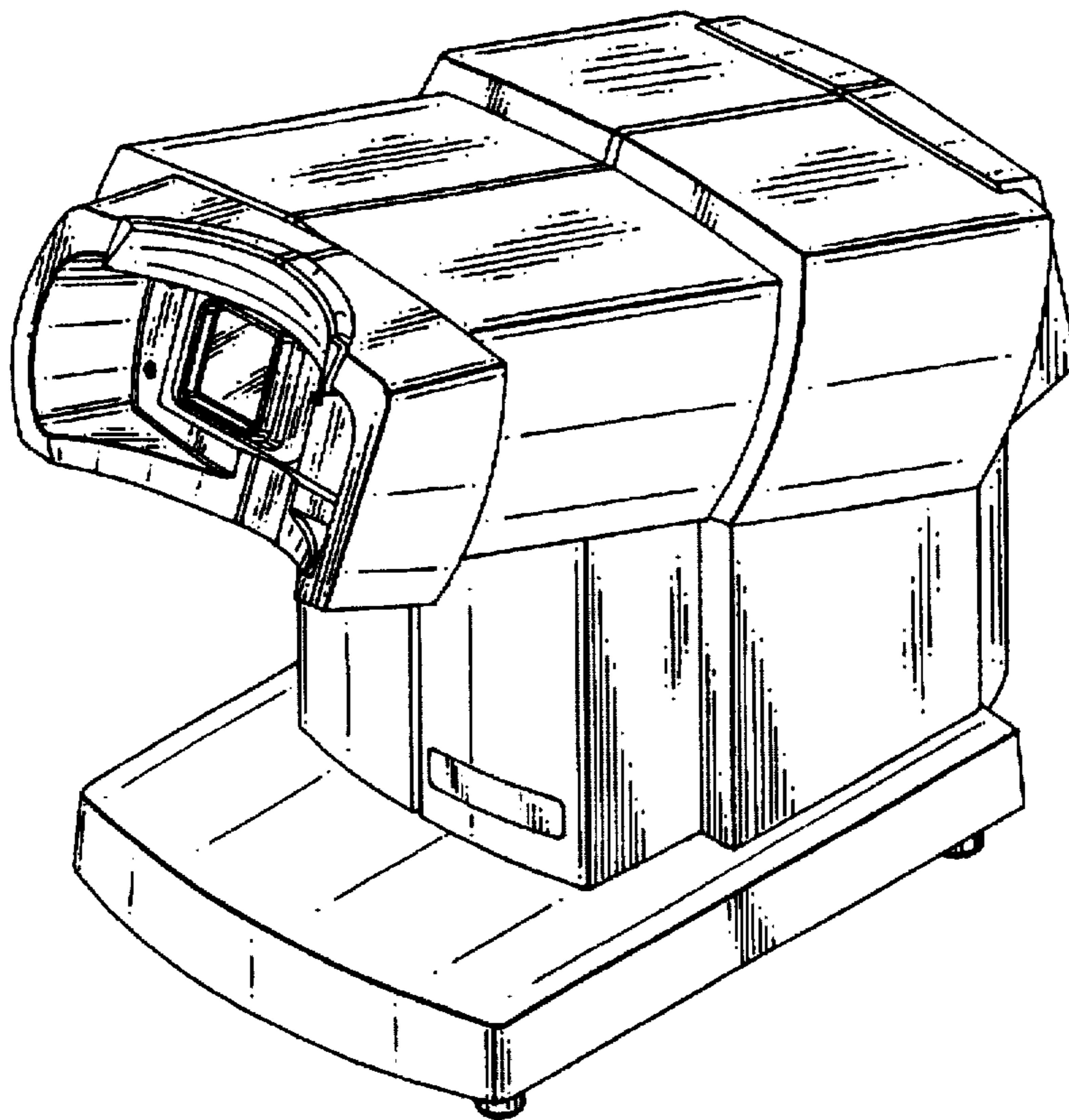


FIG.1

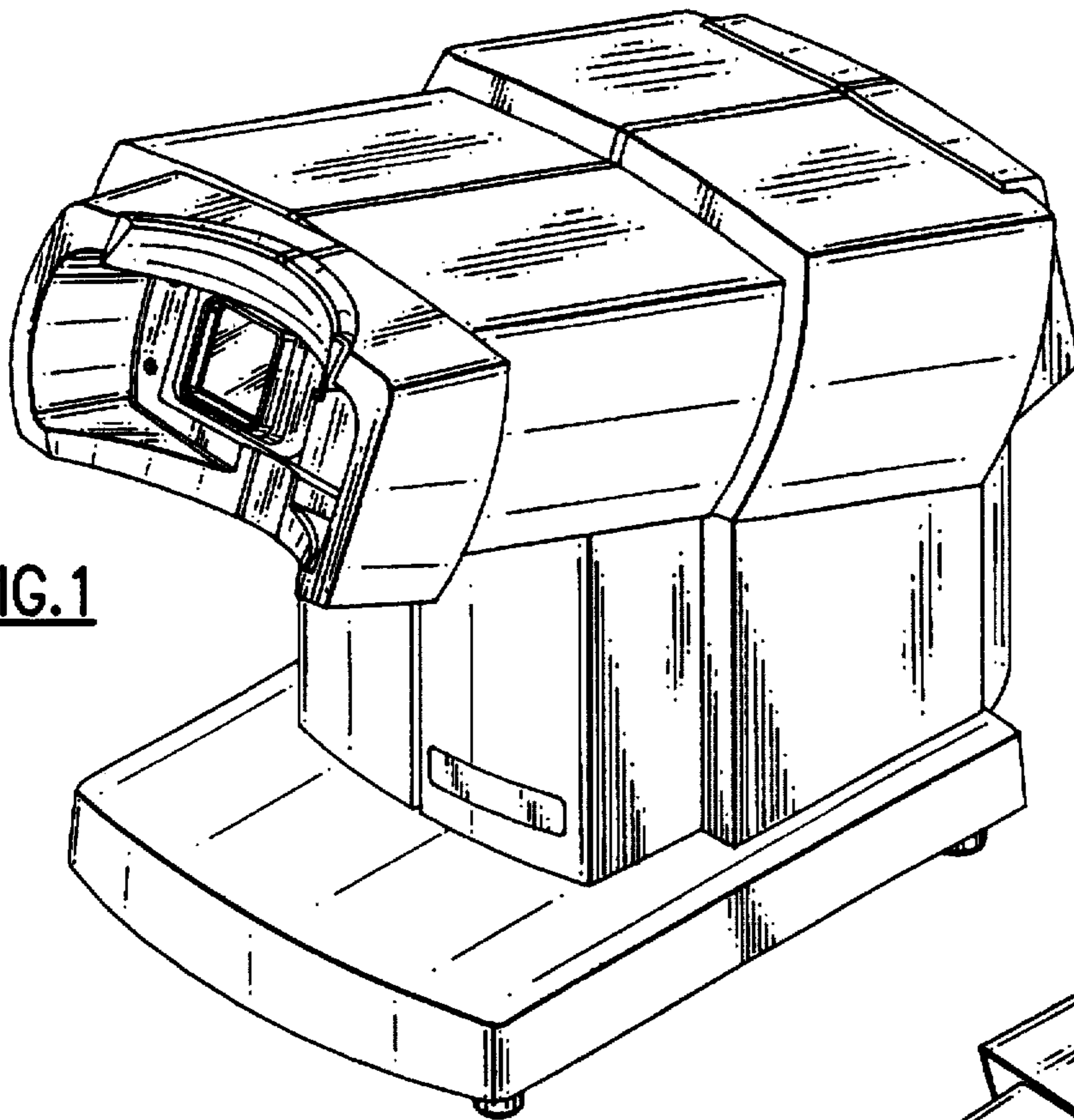
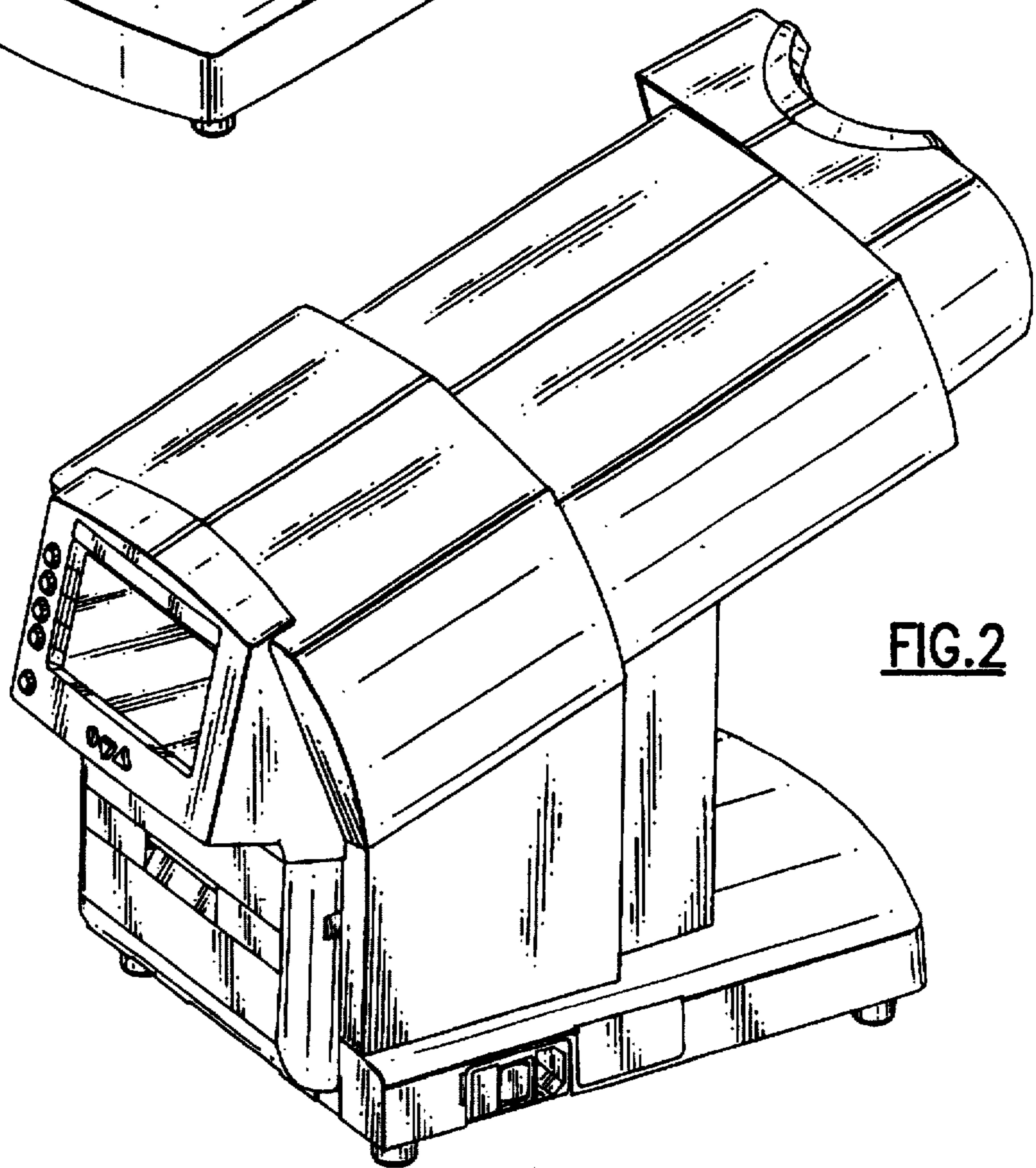


FIG.2



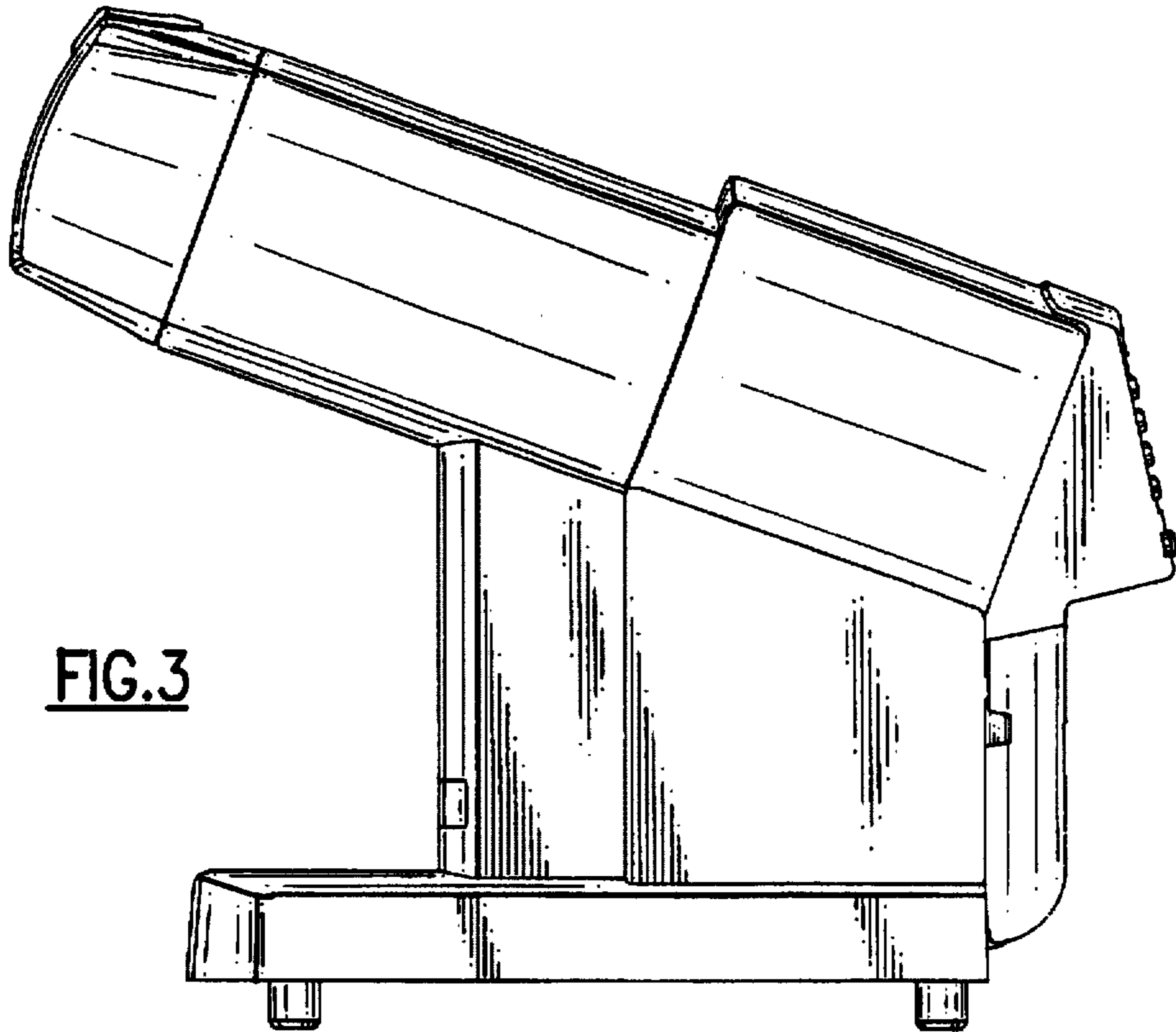


FIG. 3

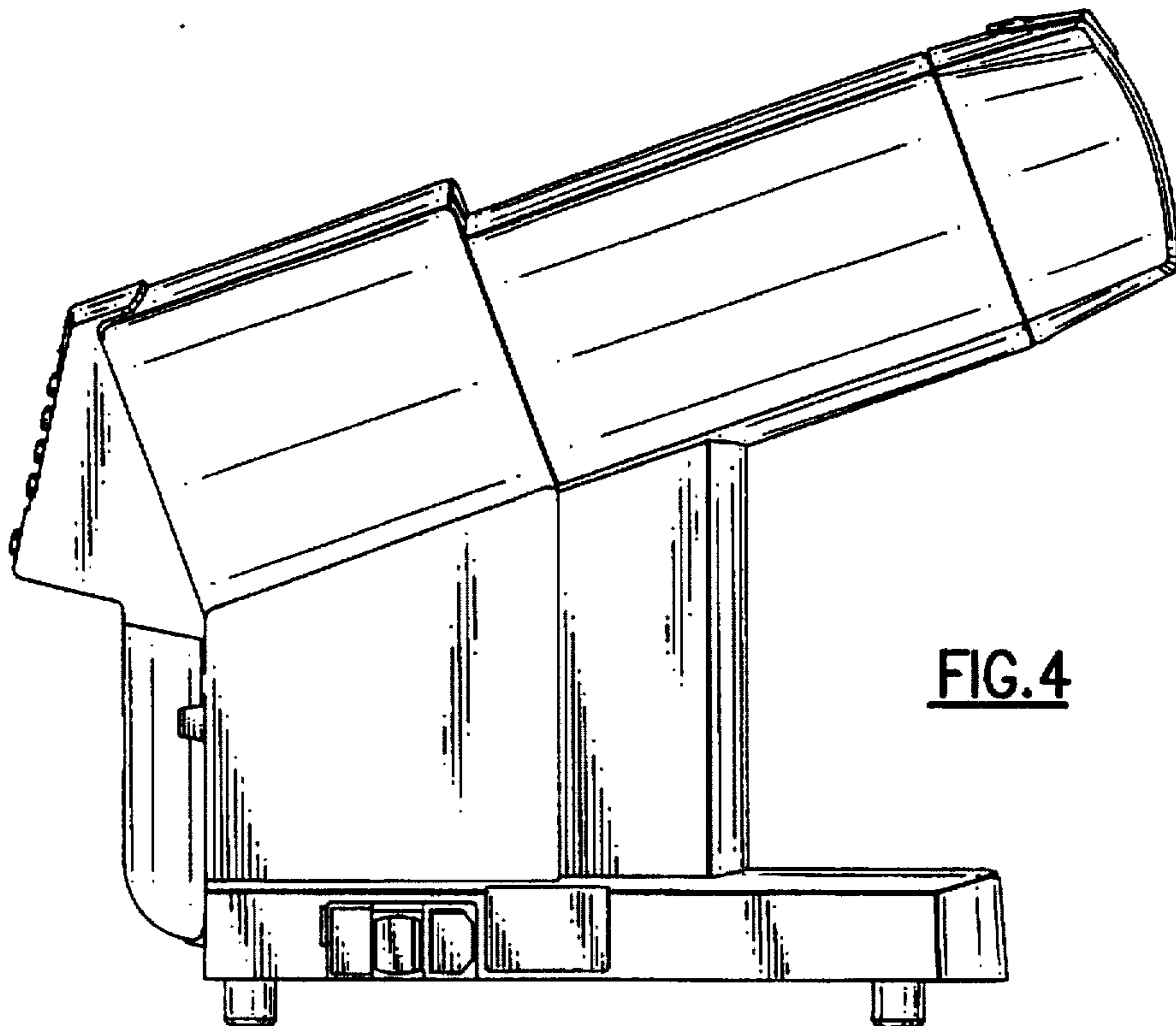


FIG. 4



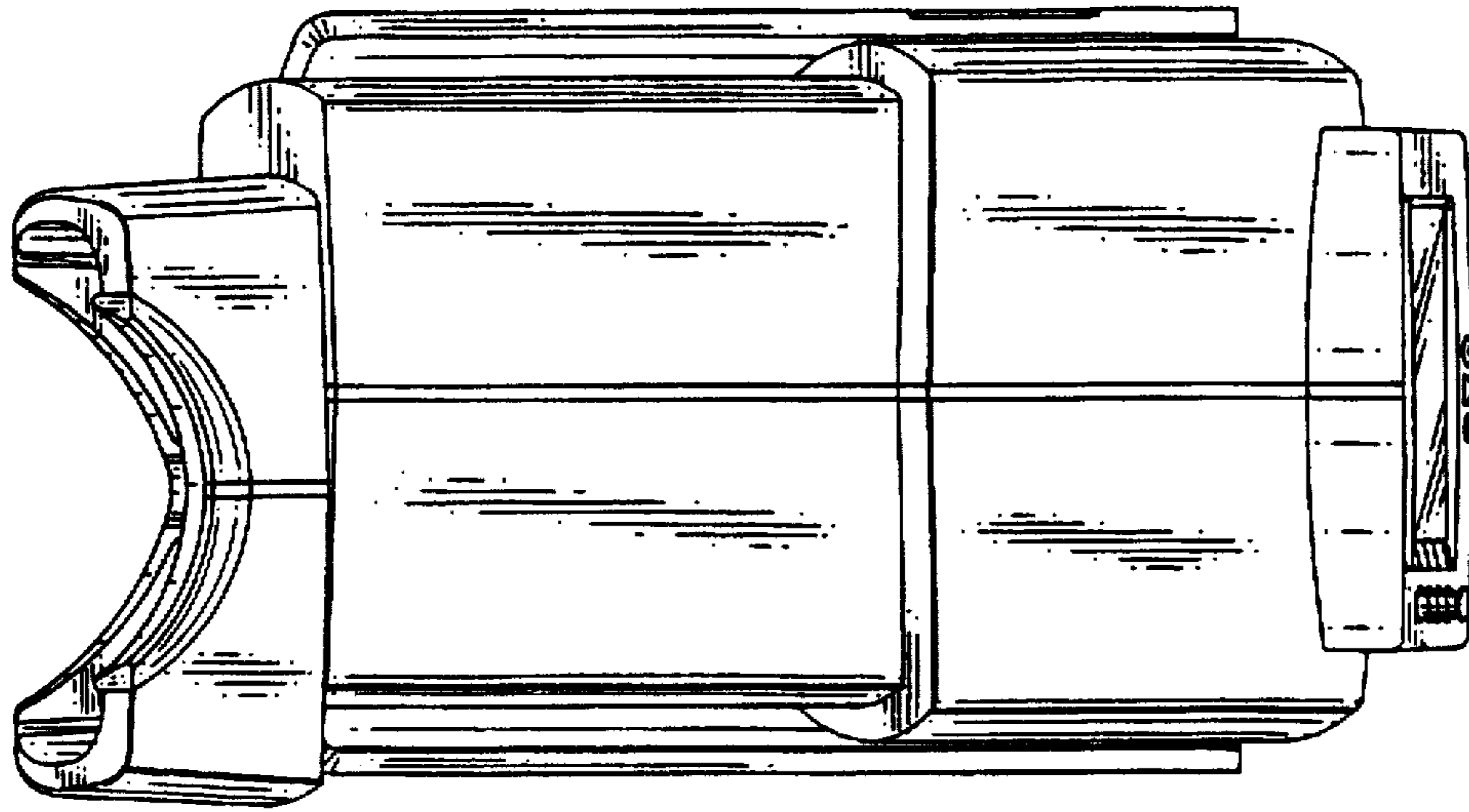


FIG. 5

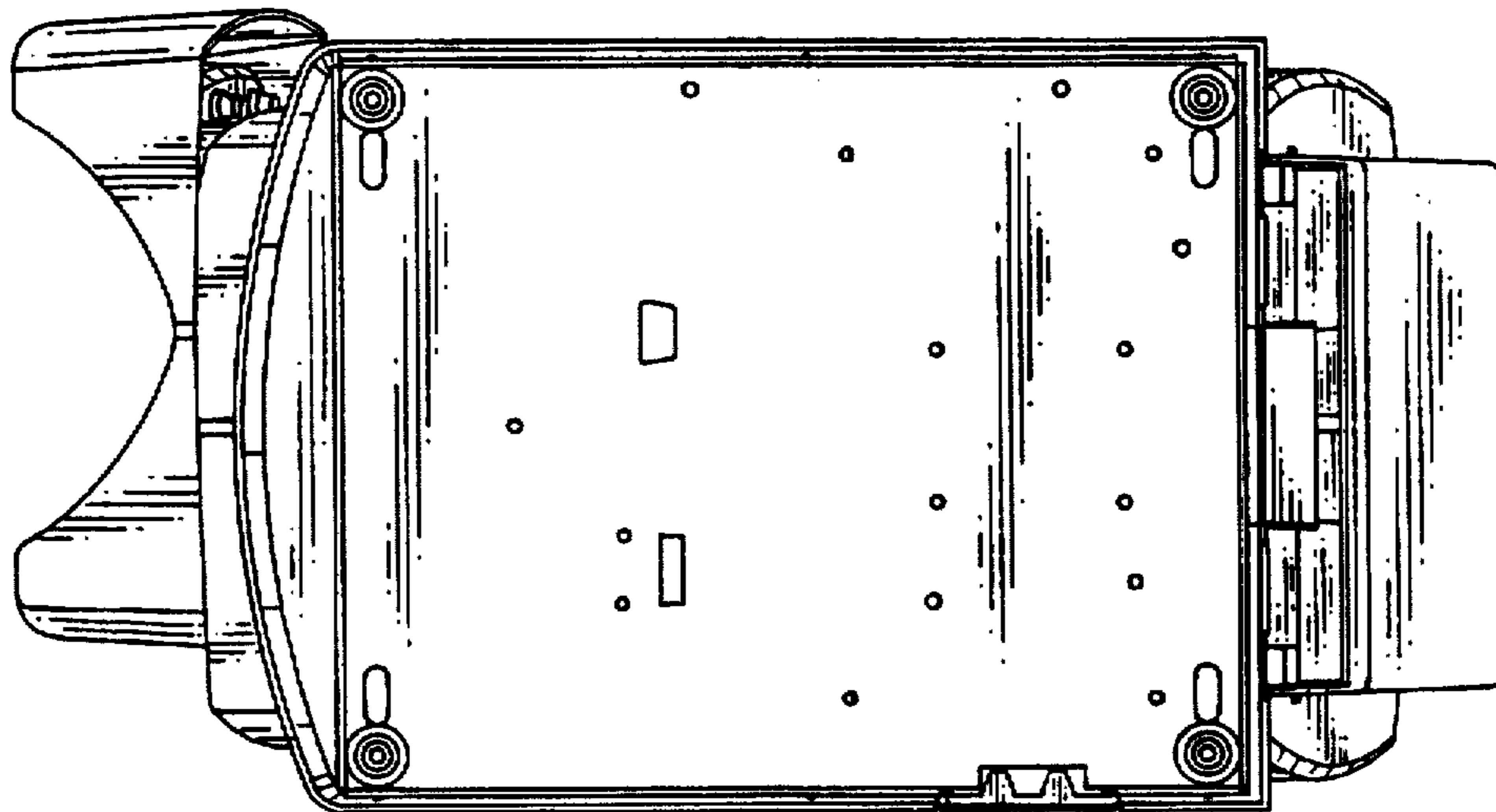


FIG. 6

FIG.7

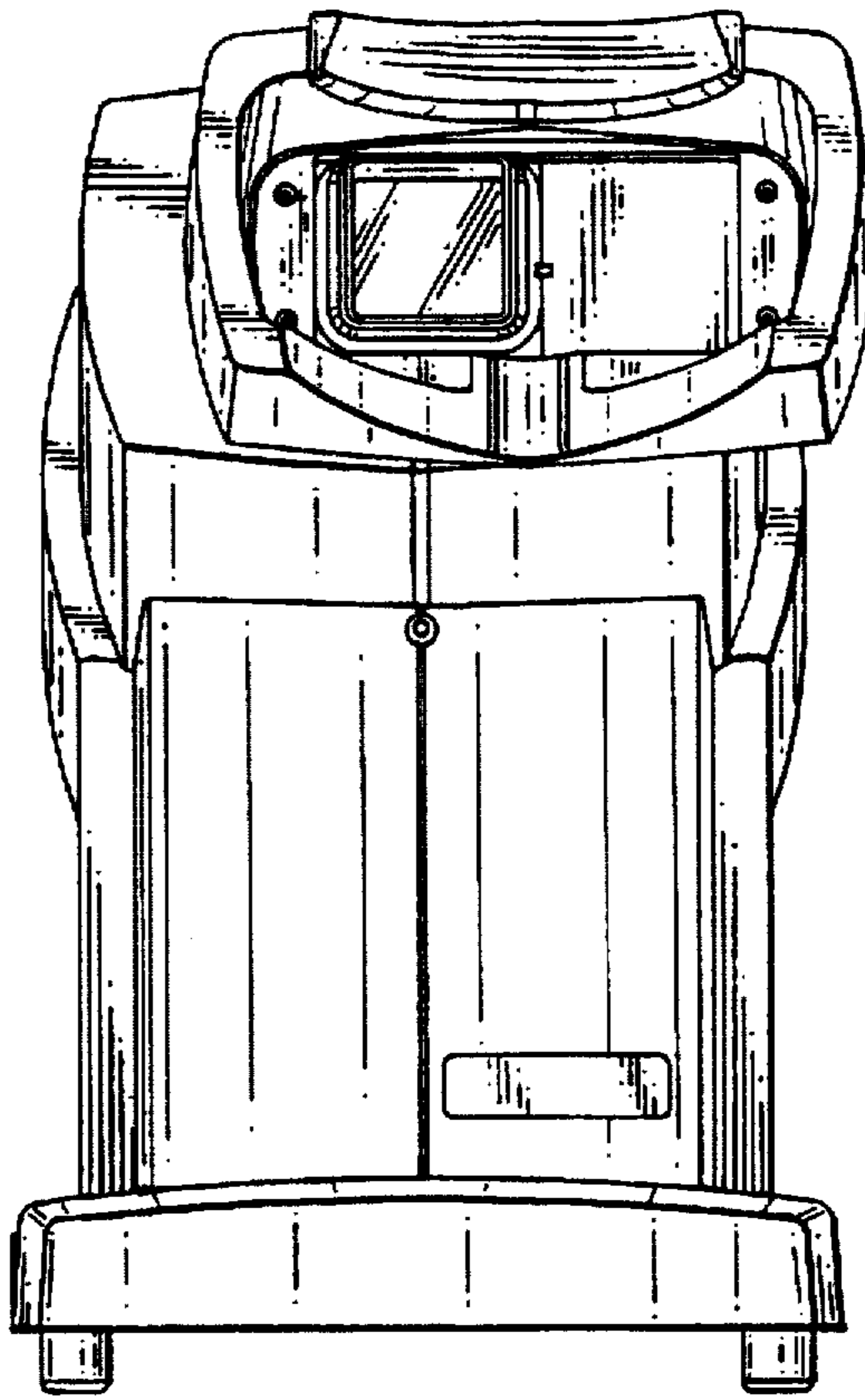


FIG.8

