



US00D390661S

# United States Patent [19] Foggia

[11] Patent Number: **Des. 390,661**  
[45] Date of Patent: **\*\*Feb. 10, 1998**

[54] **BLOOD COAGULATION ANALYZER**

5,302,348 4/1994 Cusack et al. .... 436/69 X  
5,534,226 7/1996 Gavin et al. .... 422/73

[75] Inventor: **Donald Foggia, Ocean, N.J.**

*Primary Examiner*—Stella Reid  
*Attorney, Agent, or Firm*—Plevy & Associates

[73] Assignee: **International Technidyne Corporation, Edison, N.J.**

[57] **CLAIM**

[\*\*] Term: **14 Years**

The ornamental design for blood coagulation analyzer, as shown and described.

[21] Appl. No.: **60,700**

### DESCRIPTION

[22] Filed: **Oct. 4, 1996**

[51] LOC (6) Cl. .... **24-01**

[52] U.S. Cl. .... **D24/167**

[58] Field of Search ..... D24/167, 169;  
436/69, 43; 422/73; 128/637, 638, 700,  
710, 630, 633

FIG. 1 is a perspective view of a blood coagulation analyzer; showing my new design; in closed condition;  
FIG. 2 is a perspective view thereof, in open condition;  
FIG. 3 is a front elevational view thereof;  
FIG. 4 is a top plan view thereof;  
FIG. 5 is a side elevational view thereof, the opposite side elevational view being identical;  
FIG. 6 is a top plan view thereof, in closed condition; and,  
FIG. 7 is a bottom plan view thereof.

### [56] References Cited

#### U.S. PATENT DOCUMENTS

D. 298,278 10/1988 Savitz et al. .... D24/169  
D. 325,781 4/1992 Moller-Jensen ..... D24/169  
D. 361,129 8/1995 Collins et al. .... D24/169

The broken line showing of the elements in FIGS. 6 and 7 is for illustrative purposes only and forms no part of the claimed design.

**1 Claim, 7 Drawing Sheets**

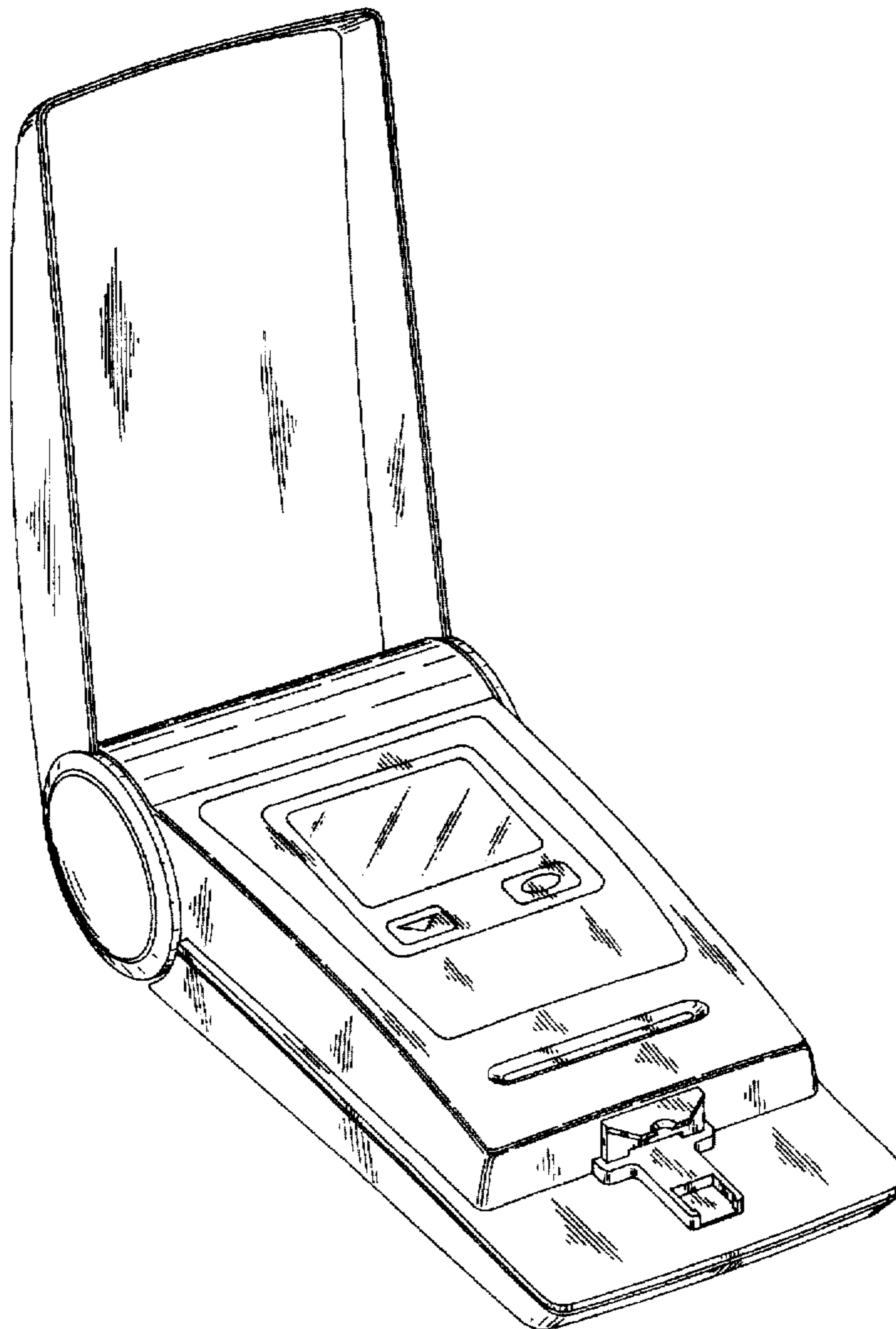
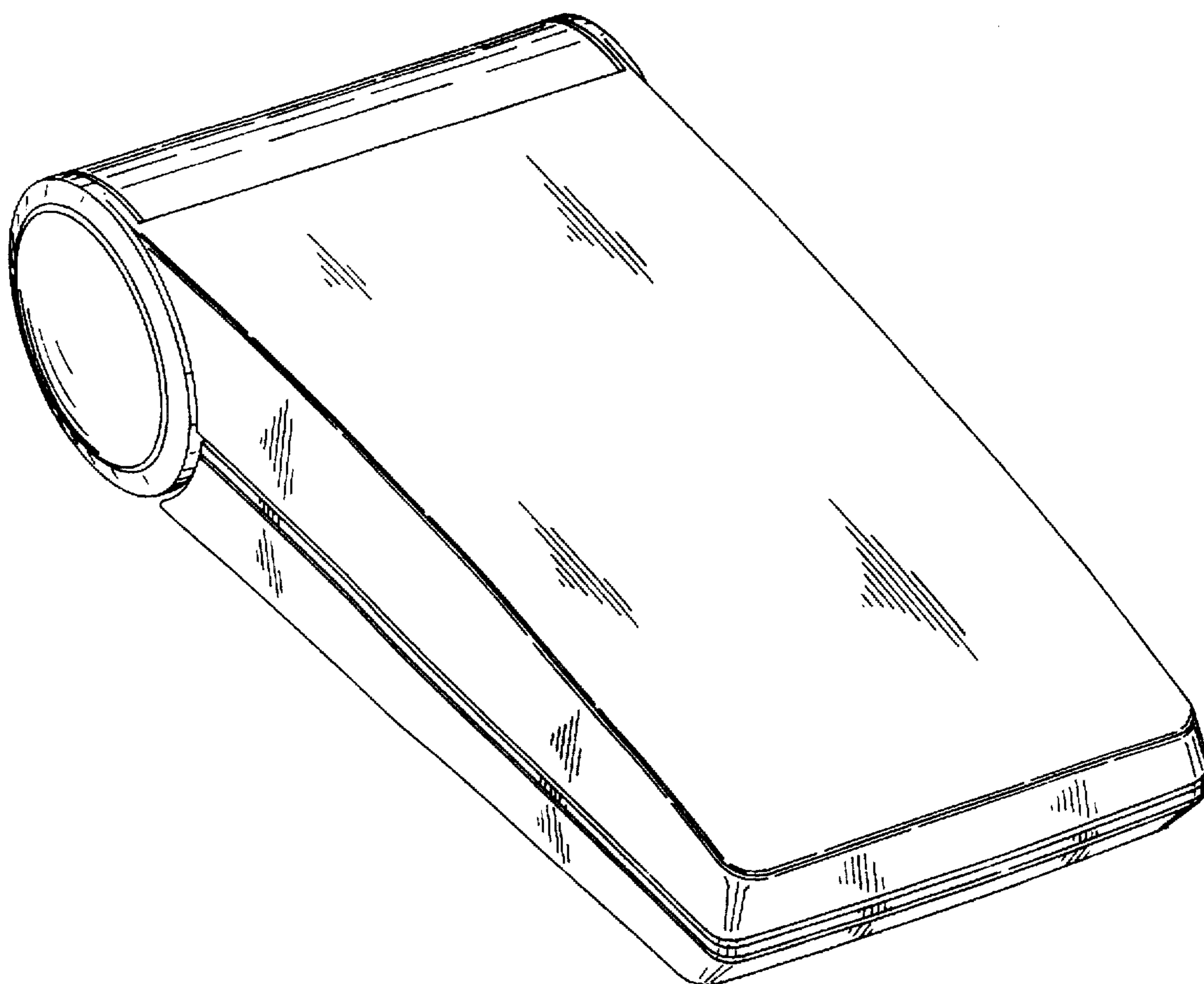


FIG. 1



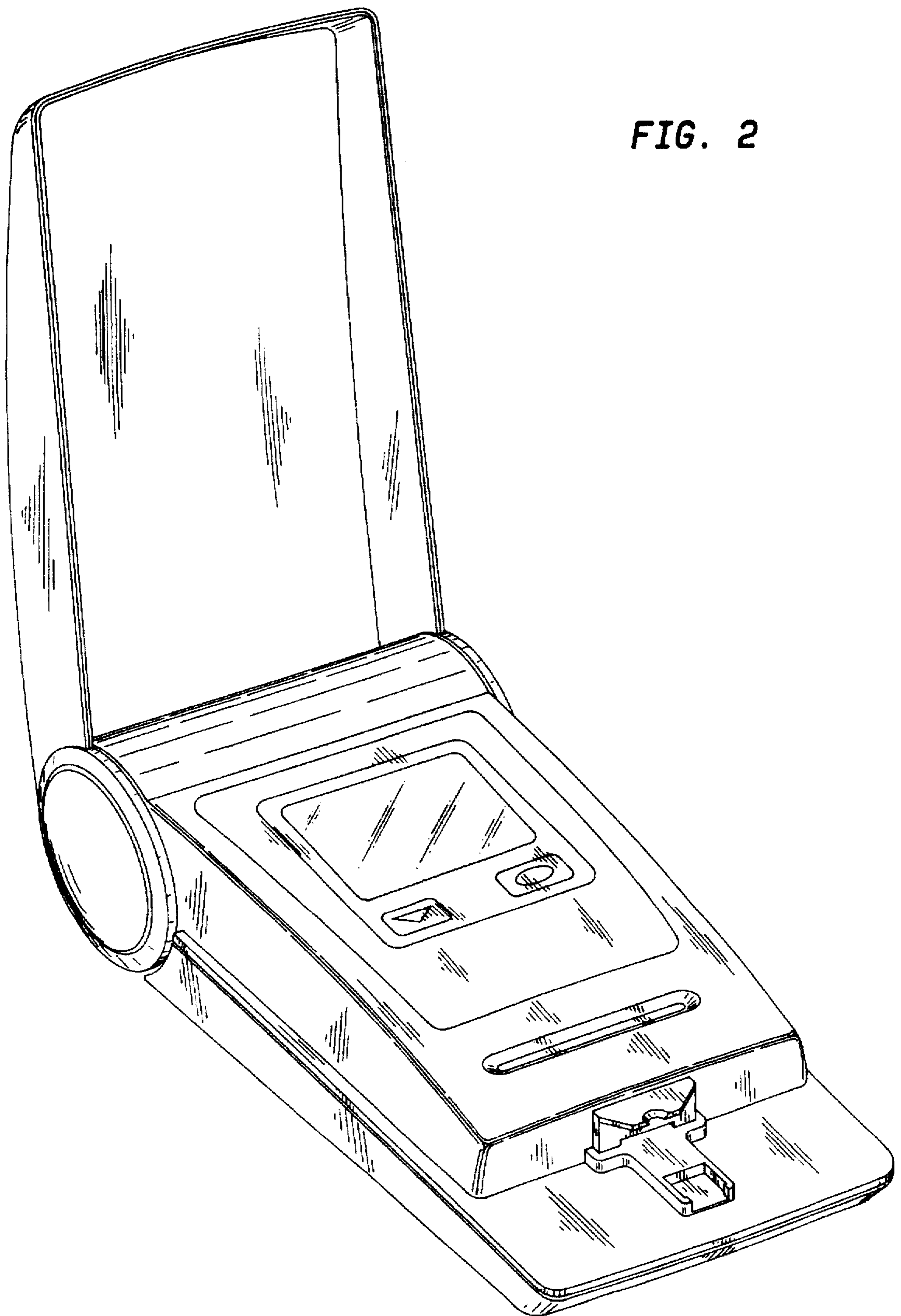


FIG. 2

FIG. 3

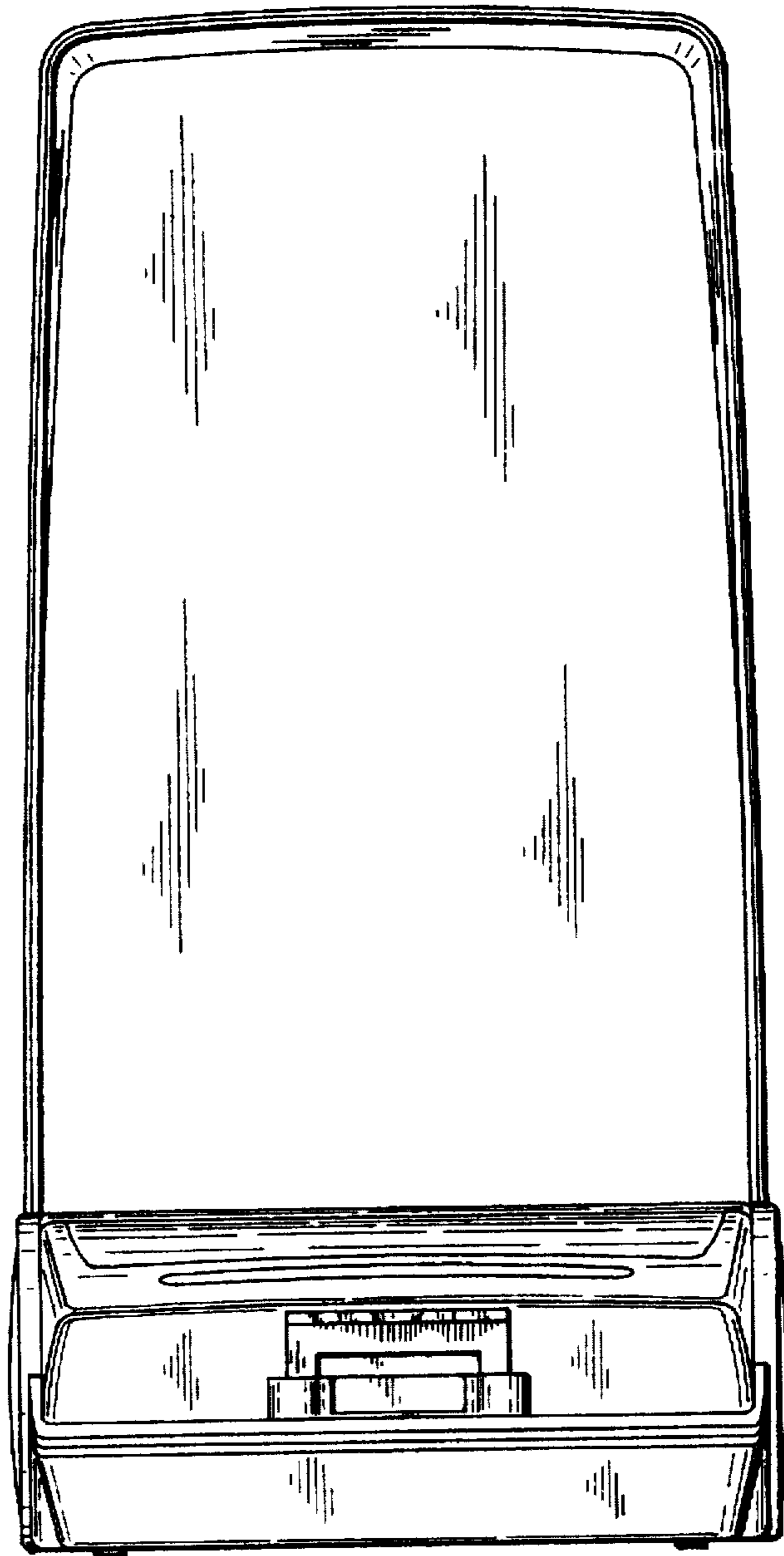


FIG. 4

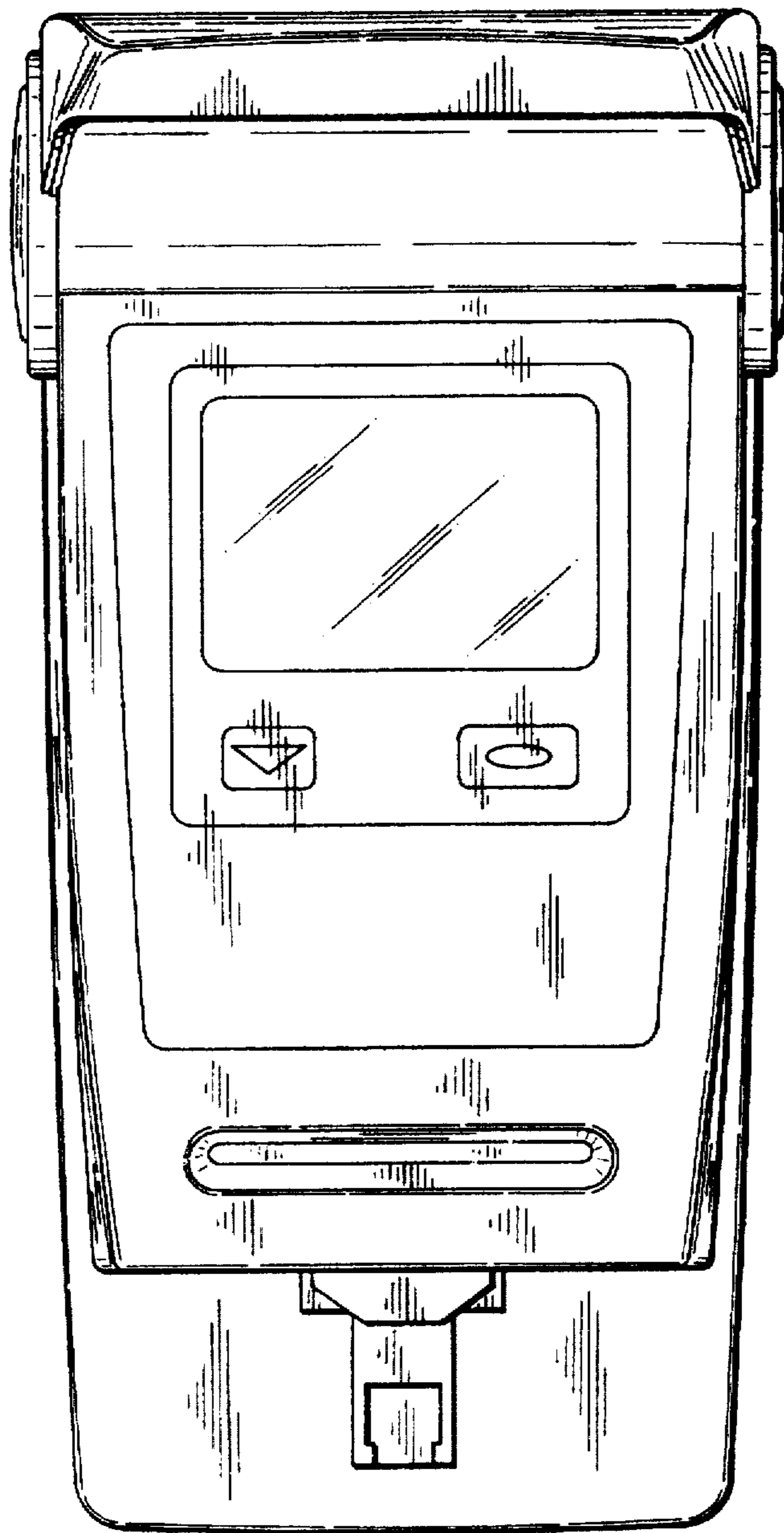


FIG. 5

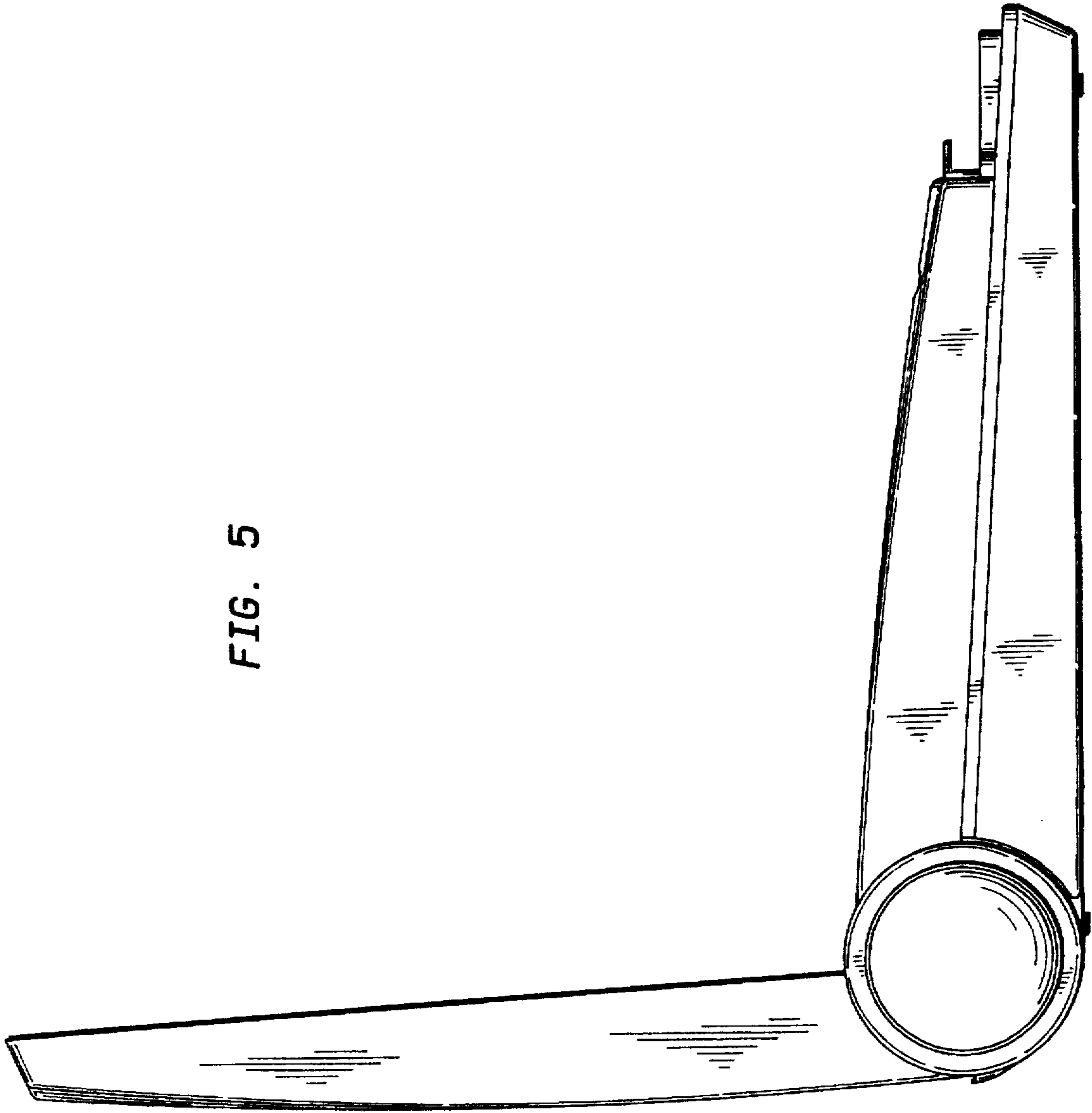


FIG. 6

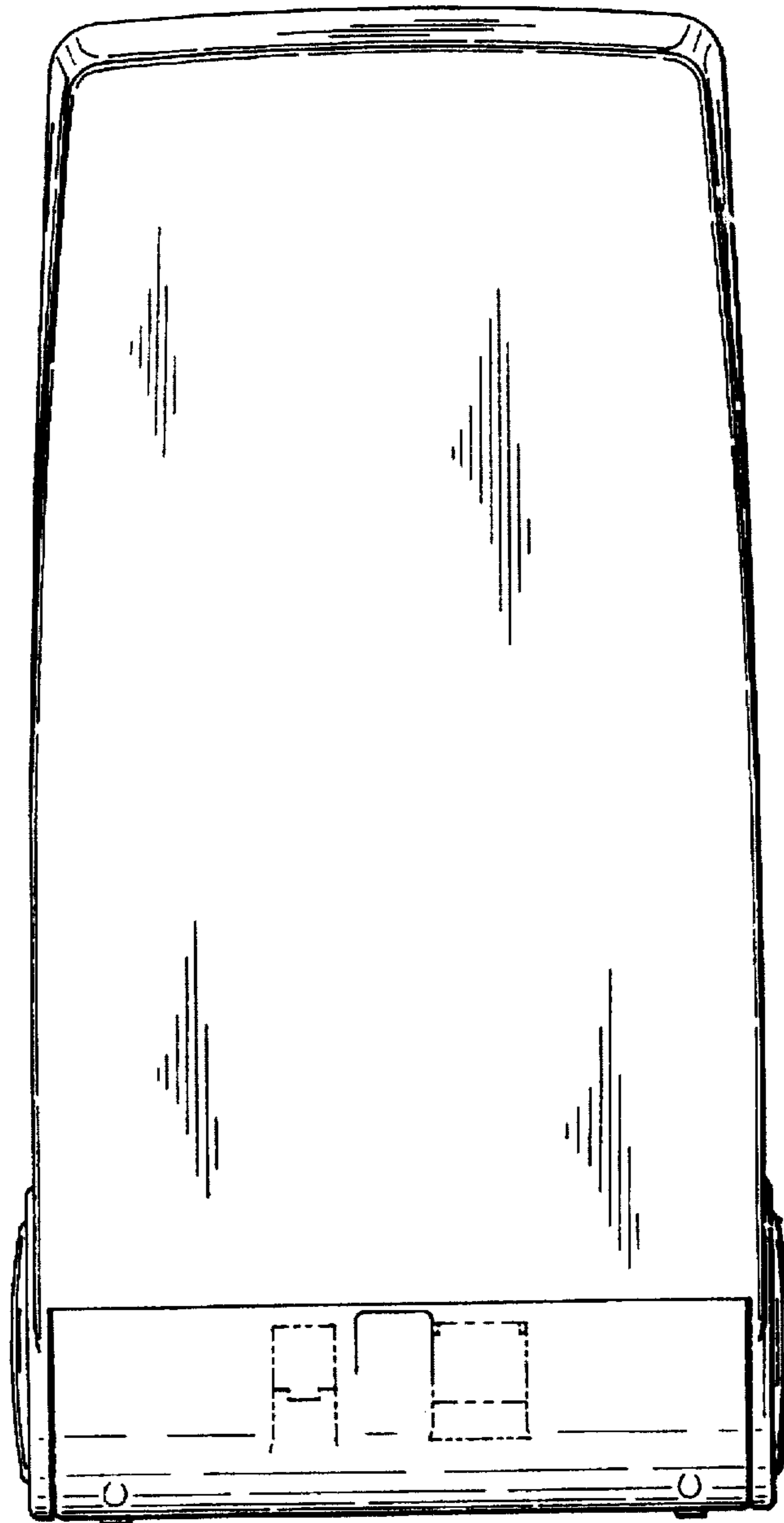


FIG. 7

