



US00D390658S

United States Patent [19]

Doyle

[11] Patent Number: **Des. 390,658**

[45] Date of Patent: ****Feb. 10, 1998**

[54] **NASAL SPONGE**

4,950,280 8/1990 Brennan 606/196
5,584,827 12/1996 Kurteweg et al. 604/369

[76] Inventor: **Donald E. Doyle**, 4105 Hospital Rd.
#102A, Pascagoula, Miss. 39581

Primary Examiner—Stella Reid
Attorney, Agent, or Firm—Roger A. Marrs

[**] Term: **14 Years**

[57] **CLAIM**

[21] Appl. No.: **68,179**

The ornamental design for a nasal sponge, as shown and described.

[22] Filed: **Apr. 1, 1997**

DESCRIPTION

[51] LOC (6) Cl. **24-04**

[52] U.S. Cl. **D24/124**

[58] Field of Search D24/190, 191,
D24/188; 606/196, 199, 201; 602/5, 6,
17; 604/358, 369

FIG. 1 is a perspective view showing my new design for a nasal sponge;
FIG. 2 is a front elevational view thereof with the back view being a mirror image thereof;
FIG. 3 is a top plan view thereof;
FIG. 4 is a bottom view thereof; and,
FIG. 5 is an end view thereof with the opposite end being a mirror image thereof.

[56] References Cited

U.S. PATENT DOCUMENTS

D. 287,880 1/1987 Doyle D24/124
4,030,504 6/1977 Doyle 606/199

1 Claim, 1 Drawing Sheet

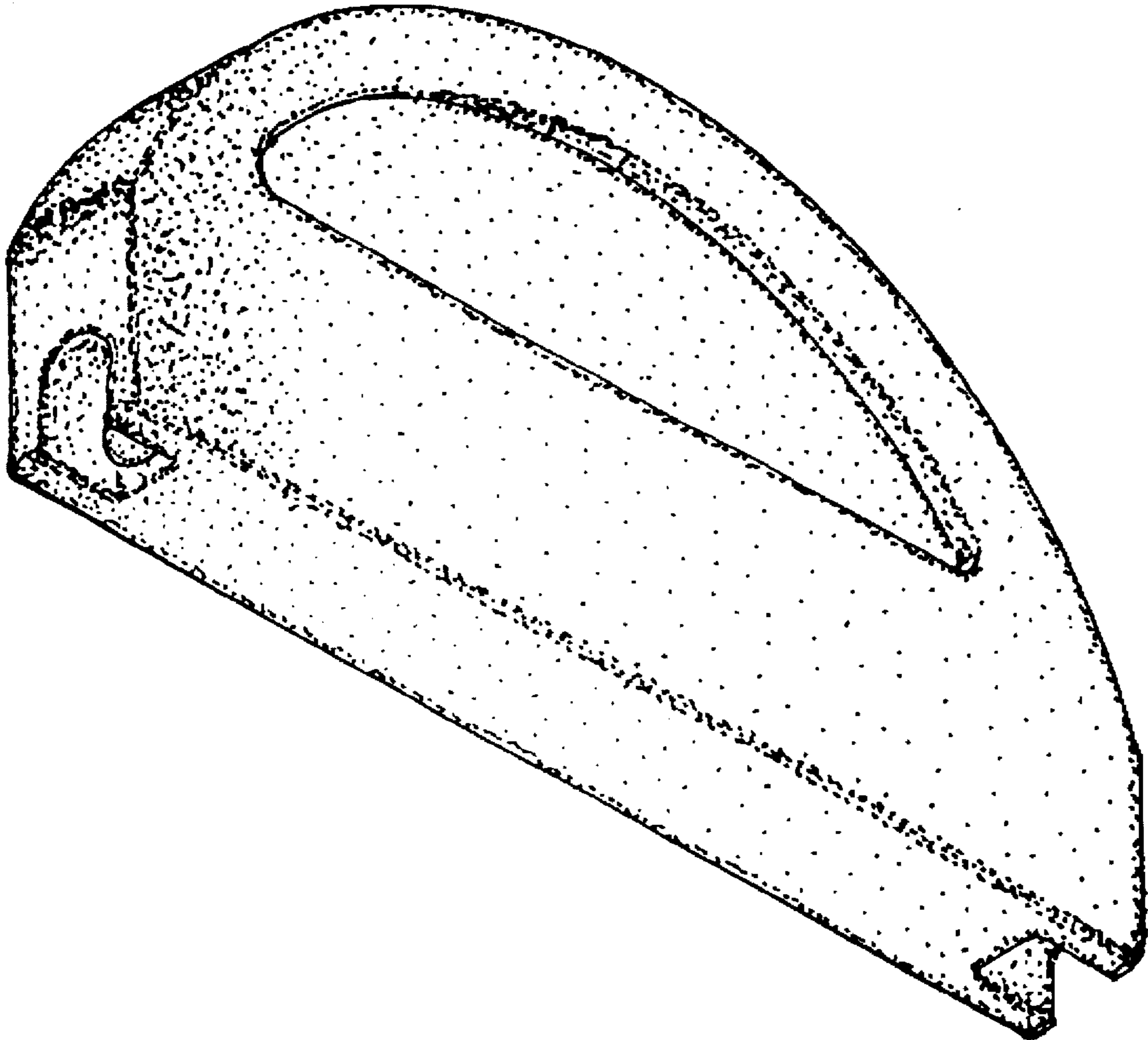


FIG. 2

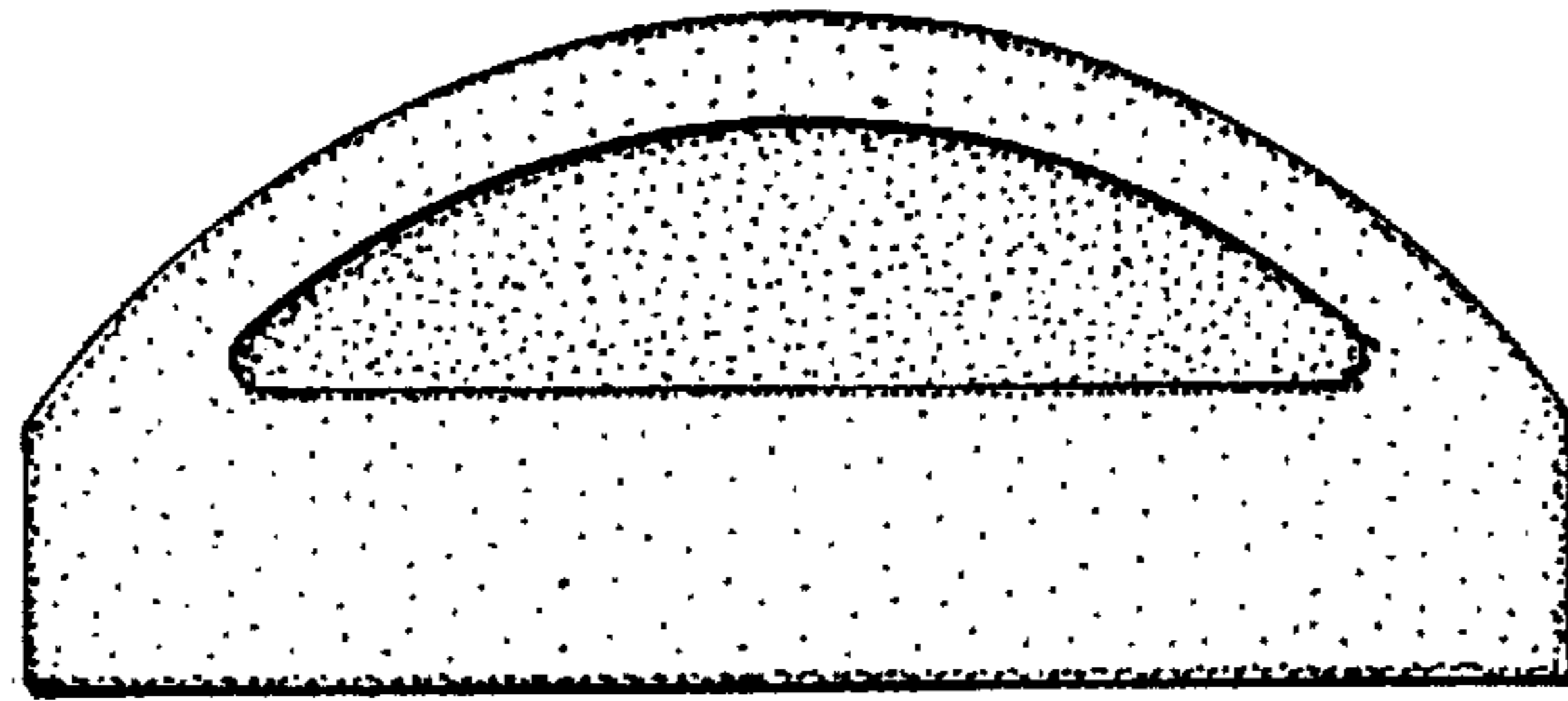


FIG. 3

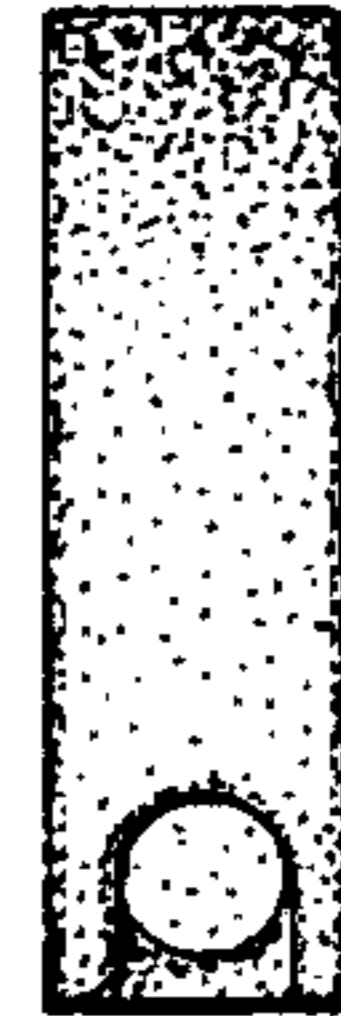
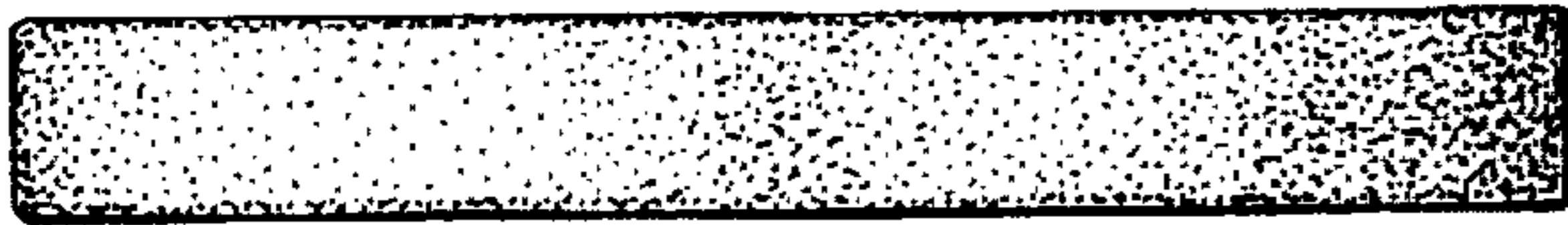


FIG. 4



FIG. 5

FIG. 1

