



US00D390656S

United States Patent [19]
Linder

[11] **Patent Number: Des. 390,656**
[45] **Date of Patent: **Feb. 10, 1998**

[54] **TRANSNASAL CONDUIT**
[76] **Inventor: Gerald S. Linder, P.O. Box 1085,
Pacific Palisades, Calif. 90277**
[**] **Term: 14 Years**
[21] **Appl. No.: 57,849**
[22] **Filed: Aug. 1, 1996**
[51] **LOC (6) Cl. 24-04**
[52] **U.S. Cl. D24/112**
[58] **Field of Search D24/112, 110;
128/642, 657, 207.18, 662.03, 662.06, 662.04,
DIG. 26; 607/124**

4,932,943 6/1990 Nowak 604/180
5,249,580 10/1993 Griffith 128/662.06
5,318,017 6/1994 Ellison 128/200.24
5,345,940 9/1994 Seward et al. 128/662.06
5,388,584 2/1995 King 128/662.06
5,484,425 1/1996 Fischell et al. 604/282

Primary Examiner—Stella Reid
Attorney, Agent, or Firm—Cislo & Thomas LLP

[57] **CLAIM**

The ornamental design for a transnasal conduit, as shown and described.

DESCRIPTION

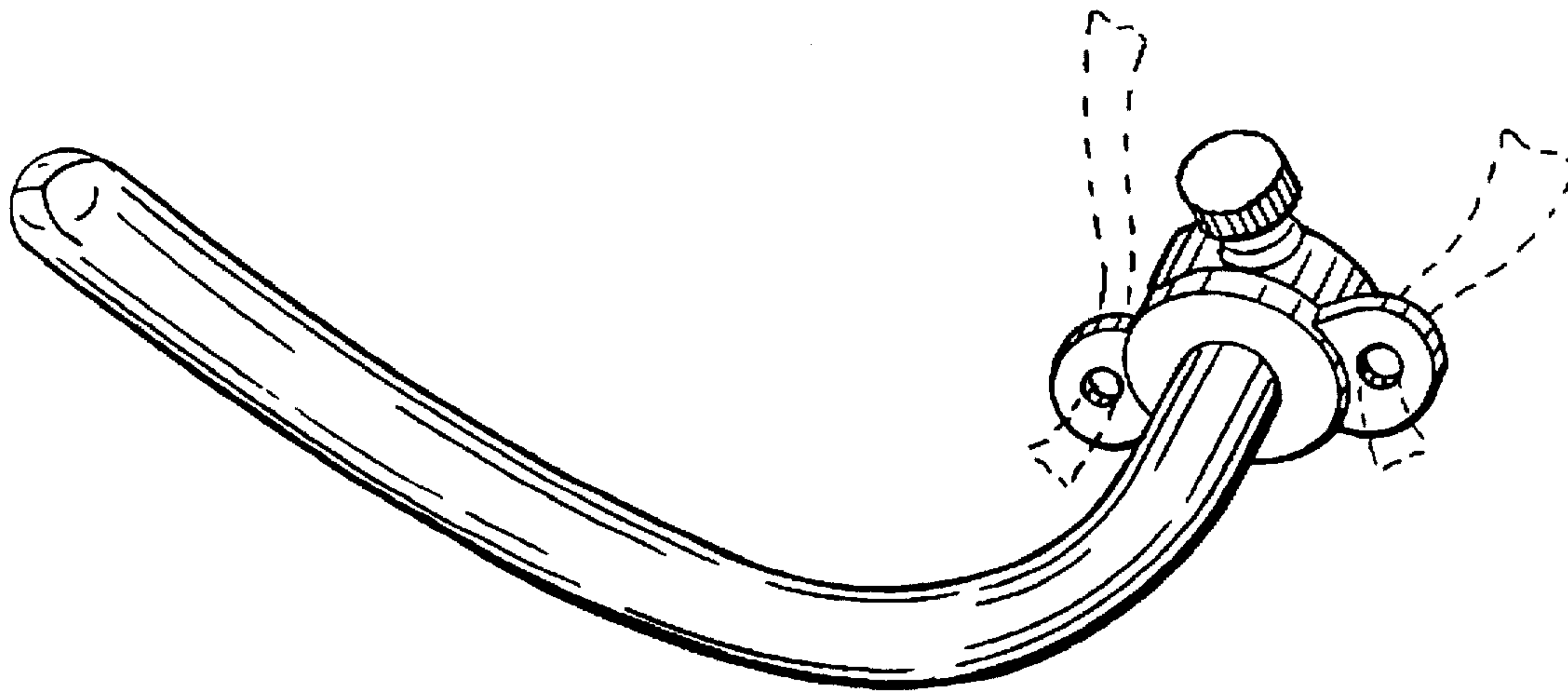
FIG. 1 is a side perspective view of a transnasal conduit, showing my new design, the broken lines of the straps being shown for illustrative purposes only and forming no part of the claimed design;
FIG. 2 is a bottom plan view thereof;
FIG. 3 is a top plan view thereof;
FIG. 4 is a left side view thereof;
FIG. 5 is a right side view thereof;
FIG. 6 is a rear view thereof; and,
FIG. 7 is a front view thereof.

[56] **References Cited**

U.S. PATENT DOCUMENTS

3,161,199 12/1964 Sands 128/348
4,284,076 8/1981 Hall 128/207.18
4,300,550 11/1981 Gandi et al. 128/207.18
4,645,492 2/1987 Weeks 604/174
4,722,347 2/1988 Abrams et al. 128/663
4,795,442 1/1989 Traflet 604/179
4,821,715 4/1989 Downing 128/207.18
4,860,757 8/1989 Lynch et al. 128/657

1 Claim, 2 Drawing Sheets



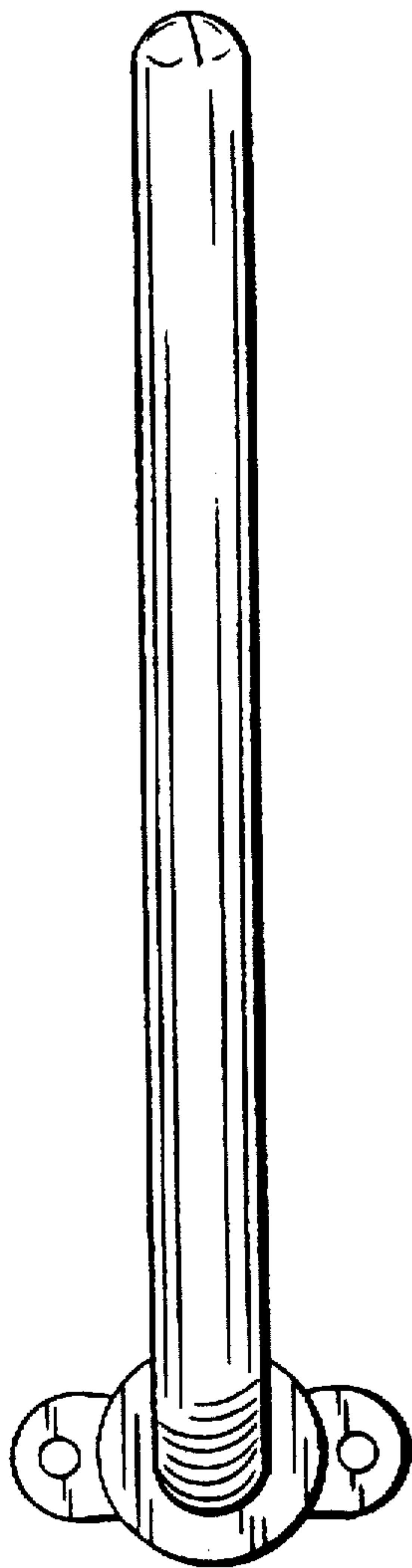
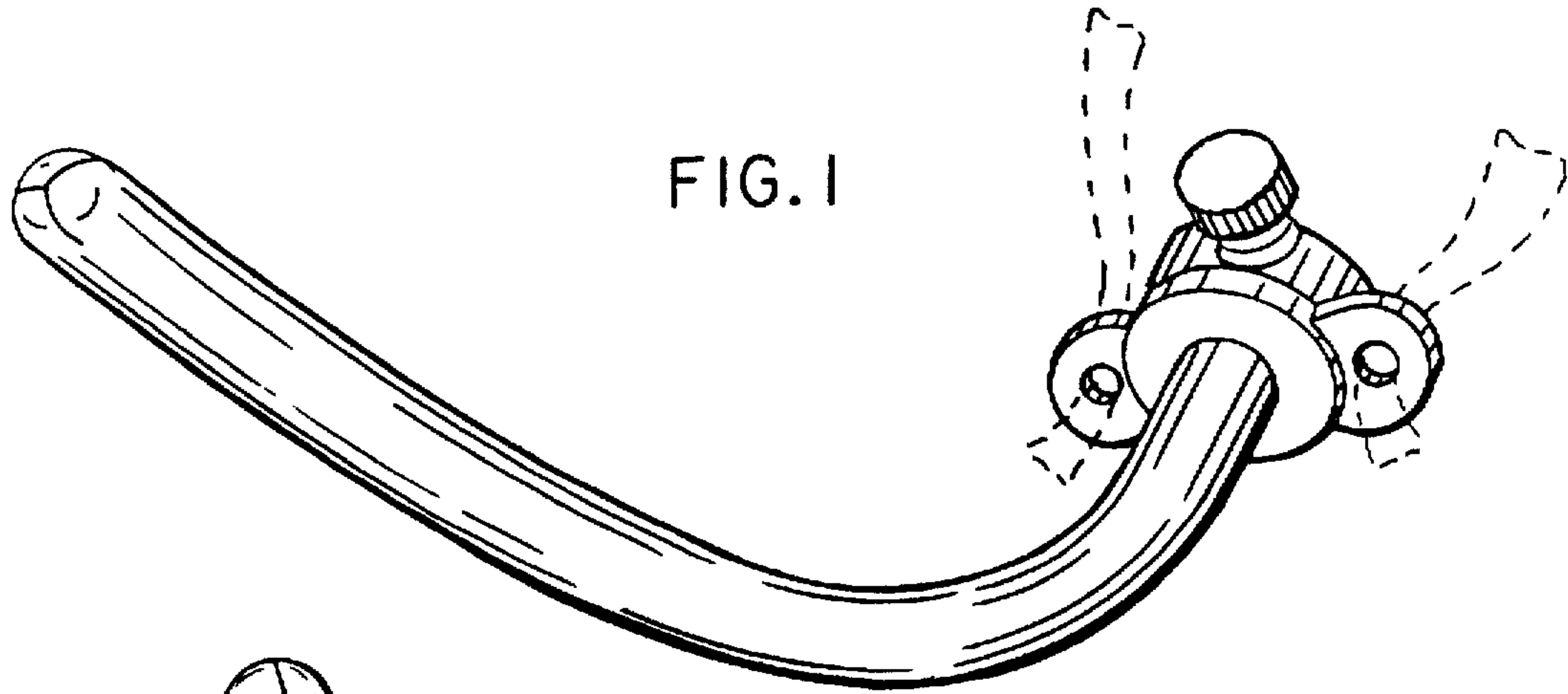


FIG. 2

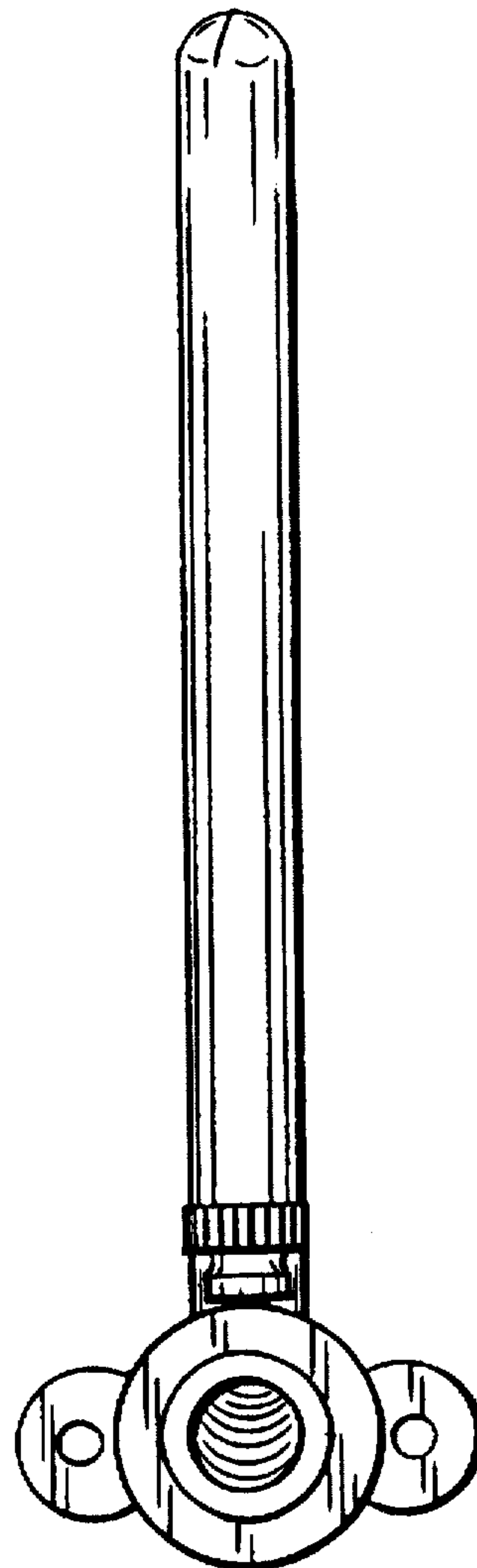


FIG. 3

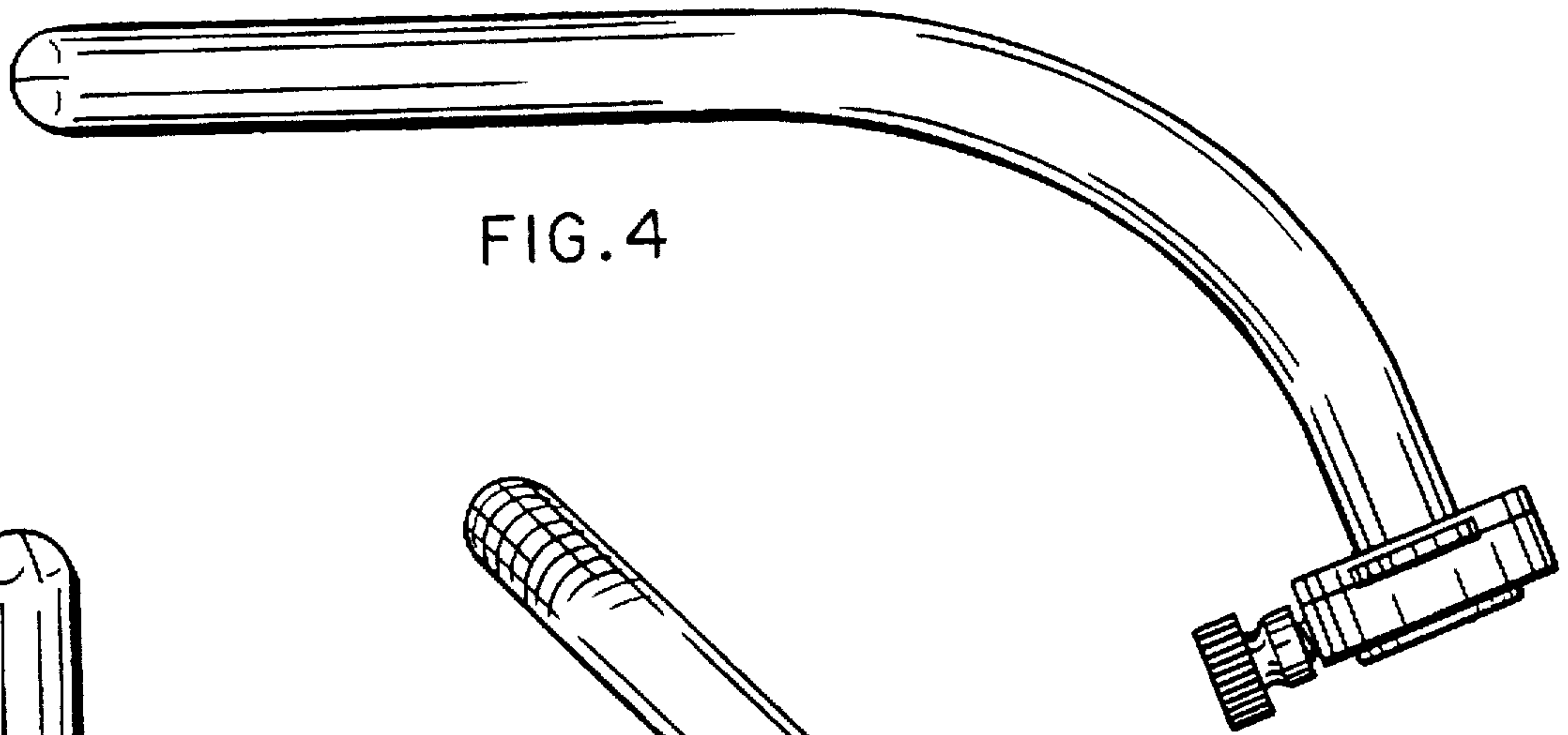


FIG. 4

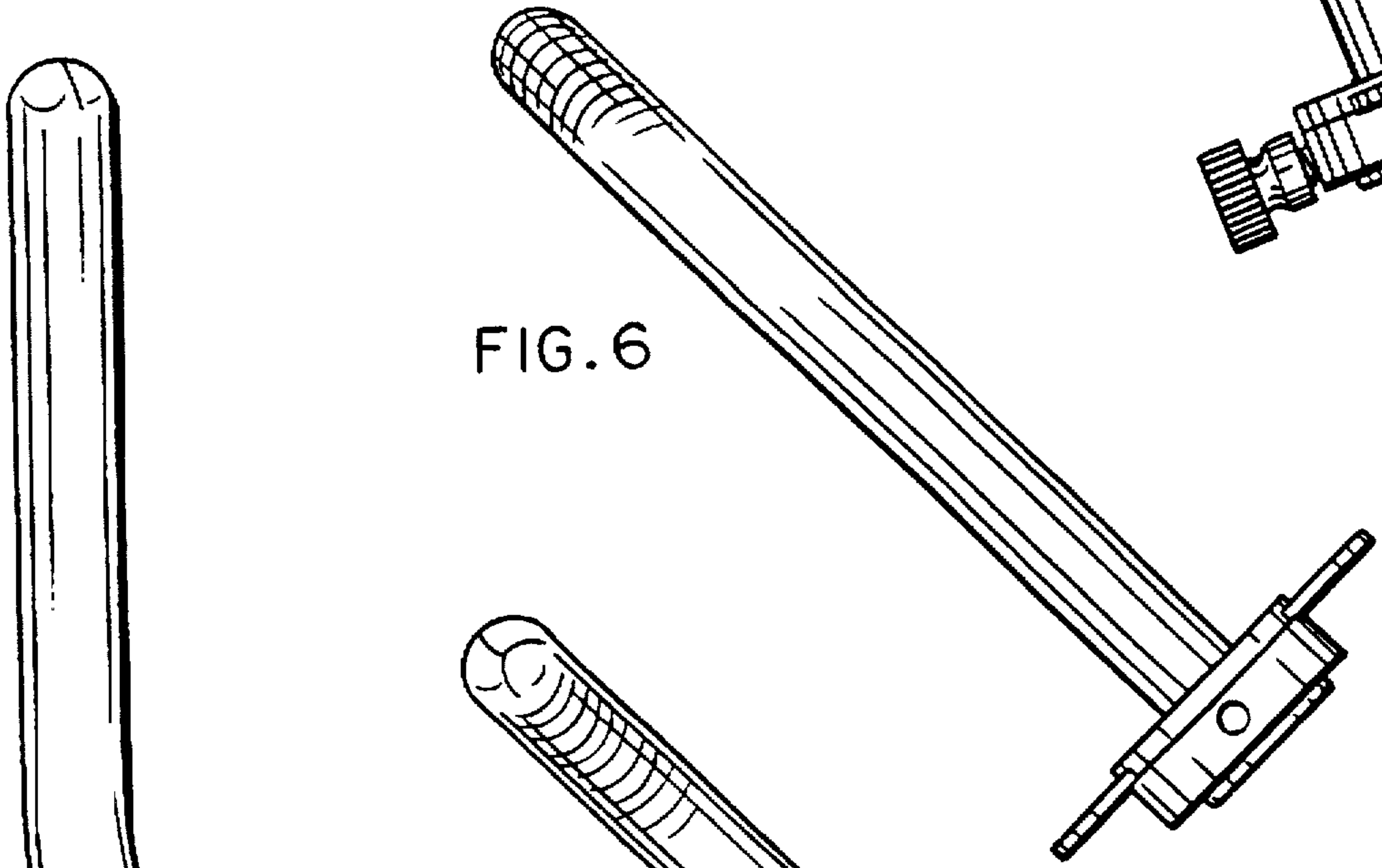


FIG. 6

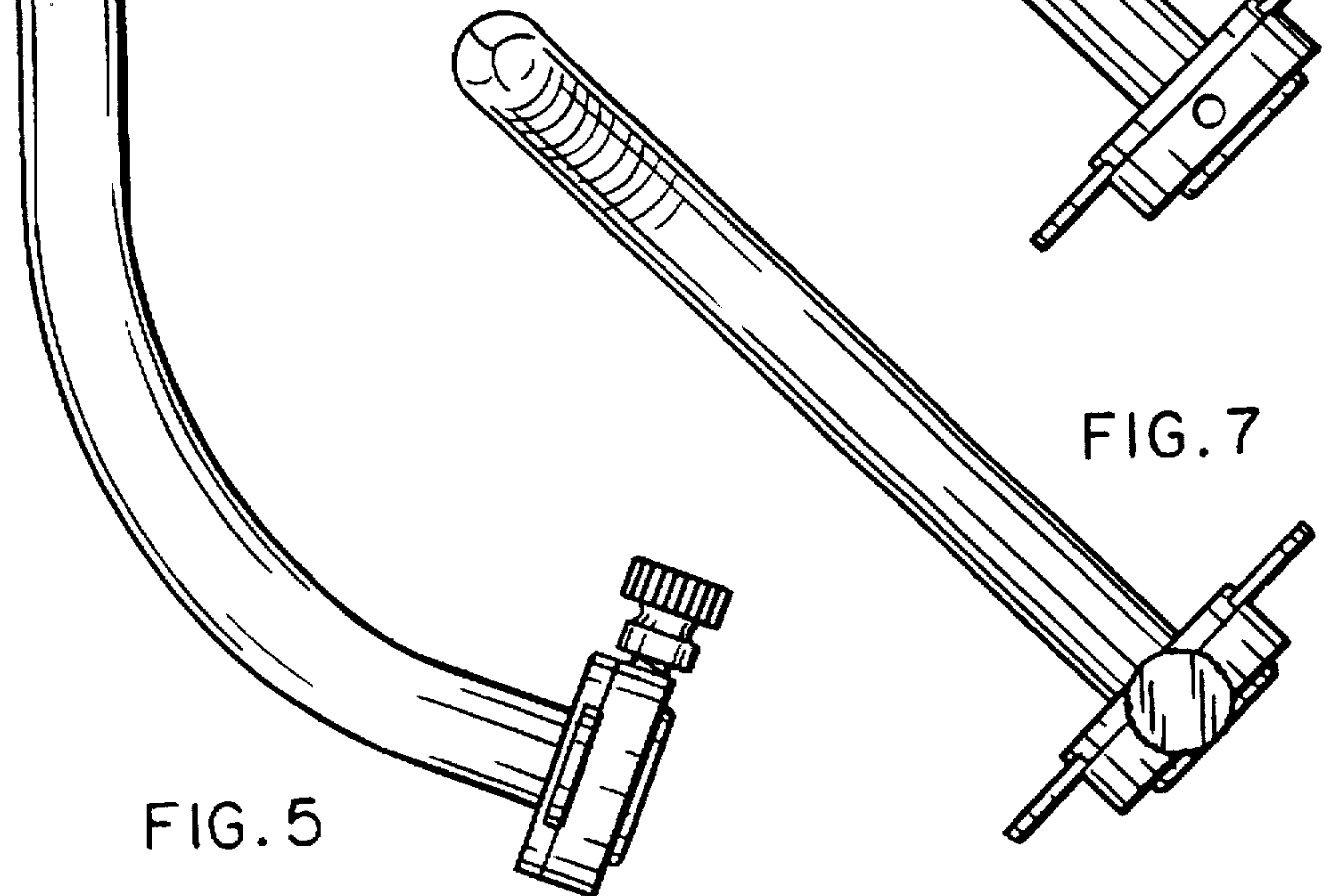


FIG. 5

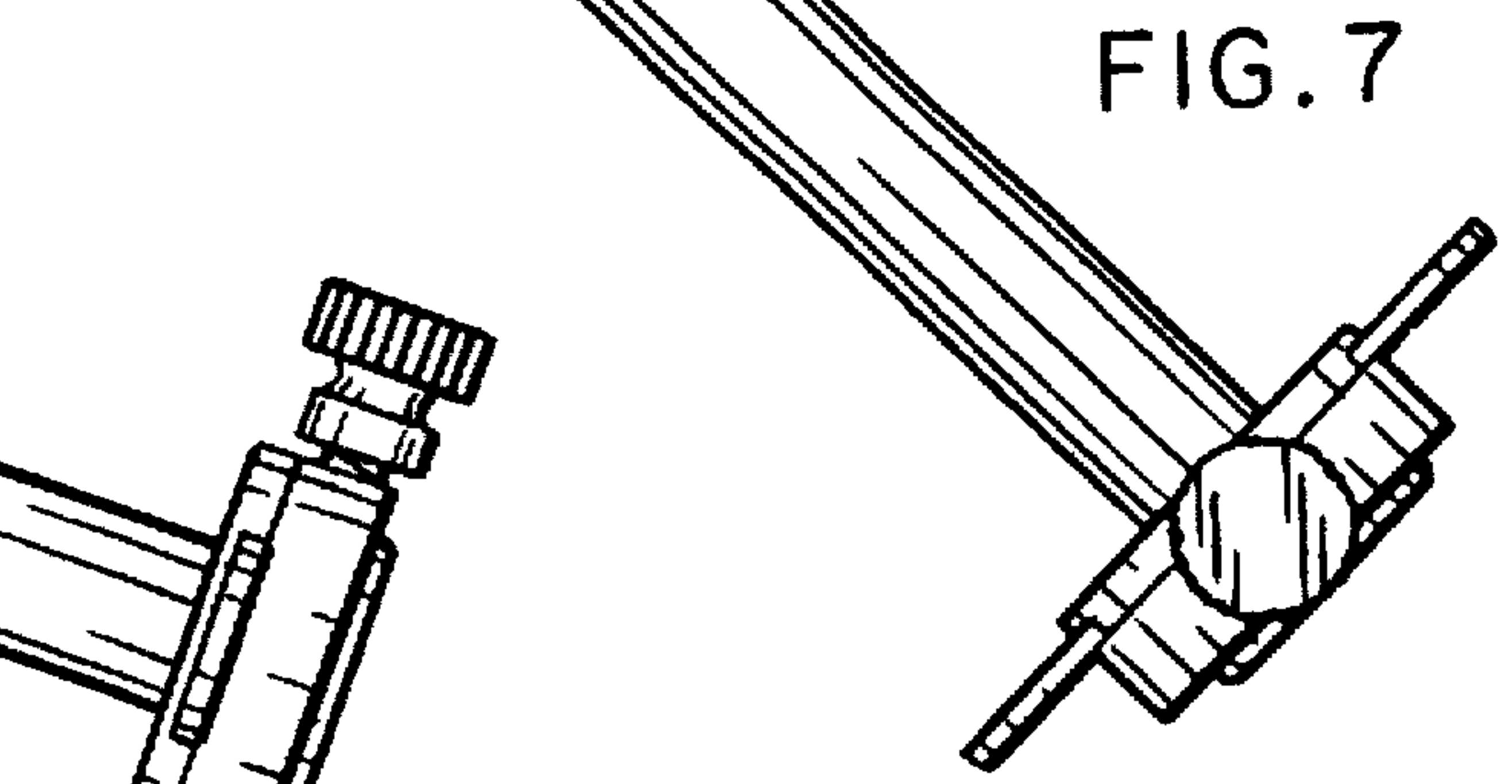


FIG. 7