



US00D390649S

United States Patent [19]

[11] Patent Number: **Des. 390,649**

Pearce et al.

[45] Date of Patent: ****Feb. 10, 1998**

[54] **COMBINED CEILING FAN AND LIGHT KIT**

[75] Inventors: **Richard A. Pearce; Jack W. Gee, II.**
both of Memphis; **Gary J. Feder.**
Germantown, all of Tenn.

[73] Assignee: **Hunter Fan Company,** Memphis,
Tenn.

[**] Term: **14 Years**

[21] Appl. No.: **66,603**

[22] Filed: **Feb. 18, 1997**

Related U.S. Application Data

[62] Division of Ser. No. 50,126, Feb. 8, 1996.

[51] LOC (6) Cl. **23-04**

[52] U.S. Cl. **D23/377; D23/379; D23/385;**
D23/413; D26/73

[58] Field of Search **D23/377, 379,**
D23/385, 411, 413; 416/5; 392/364; 362/96;
326/81-86, 88, 72, 73, 51, 59

[56] References Cited

U.S. PATENT DOCUMENTS

- D. 82,179 6/1930 Ringwald .
- D. 212,441 10/1968 Espinosa .
- D. 279,301 6/1995 Cobb D20/42

- D. 319,513 8/1991 Vande Kieft D26/88
- D. 346,858 5/1994 Lee D23/377
- D. 362,737 9/1995 Messina, Jr. D26/71
- D. 365,875 1/1996 Kuo D23/413
- D. 375,156 10/1996 Tseng D23/377
- 5,349,513 9/1994 Taylor, III 416/5
- 5,503,524 4/1996 Yu 416/5

OTHER PUBLICATIONS

Hunter Fan Co. Adv. Flyer, front page, Ceiling Fan A,
middle left side of page.

Primary Examiner—Lisa Lichtenstein
Attorney, Agent, or Firm—Baker, Donelson, Bearman &
Caldwell

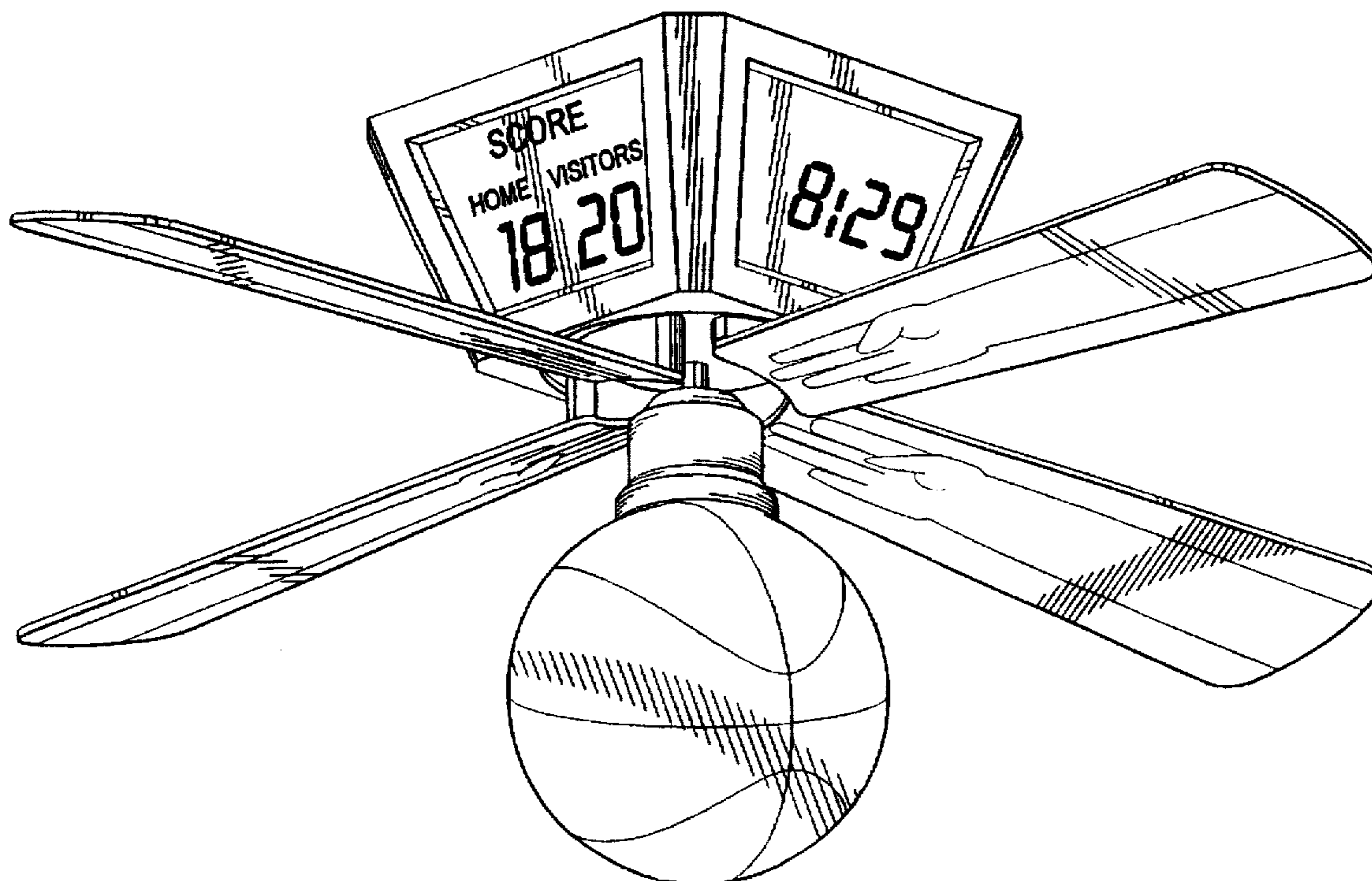
[57] CLAIM

The ornamental design for a combined ceiling fan and light
kit, as shown.

DESCRIPTION

FIG. 1 is a side, bottom perspective view of a combined
ceiling fan and light kit showing the new design;
FIG. 2 is a bottom view thereof;
FIG. 3 is a top view thereof;
FIG. 4 is a left-side elevational view thereof;
FIG. 5 is a right-side elevational view thereof;
FIG. 6 is a rear elevational view thereof; and,
FIG. 7 is a front elevational view thereof.

1 Claim, 5 Drawing Sheets



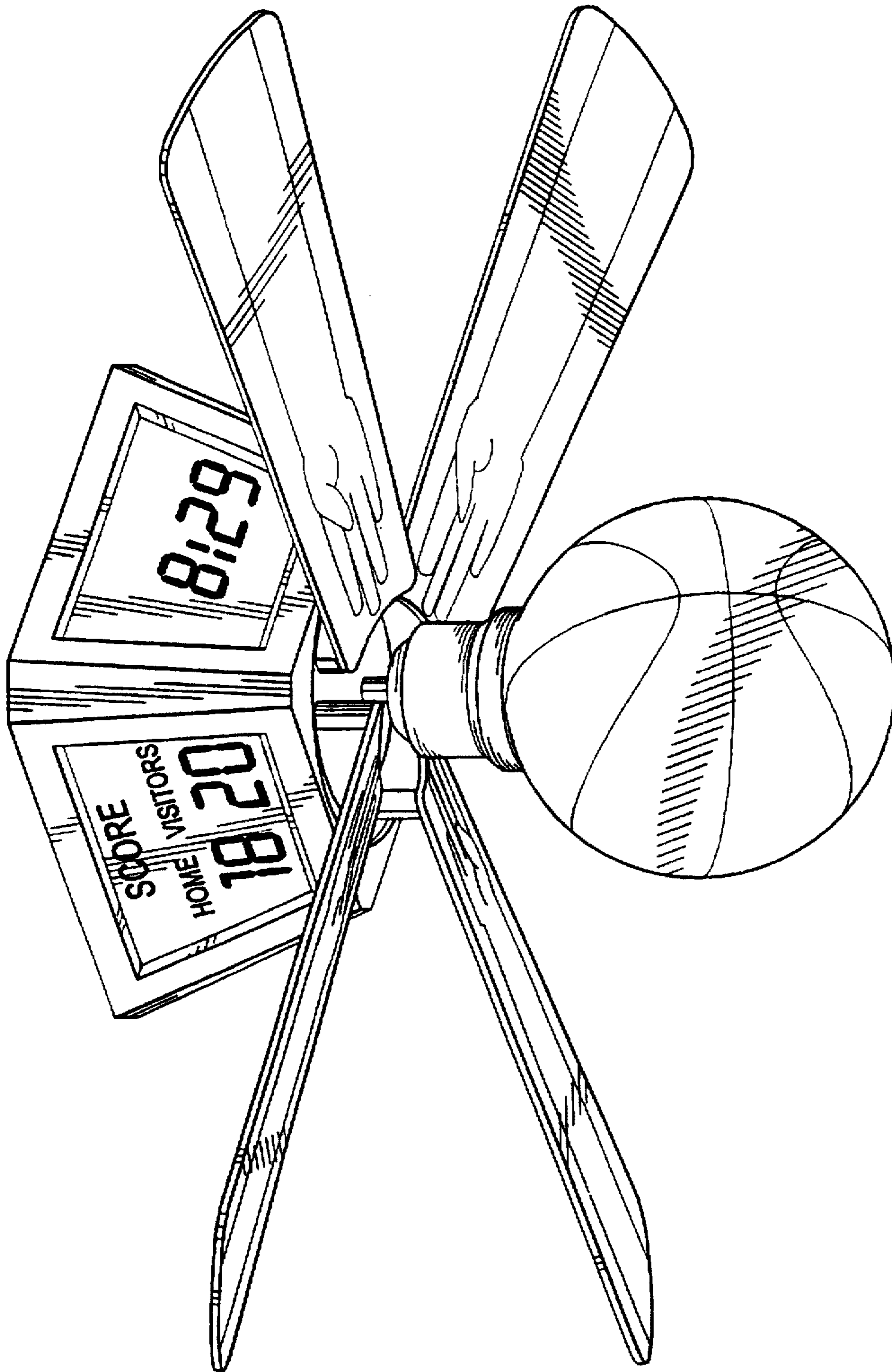


FIG 1

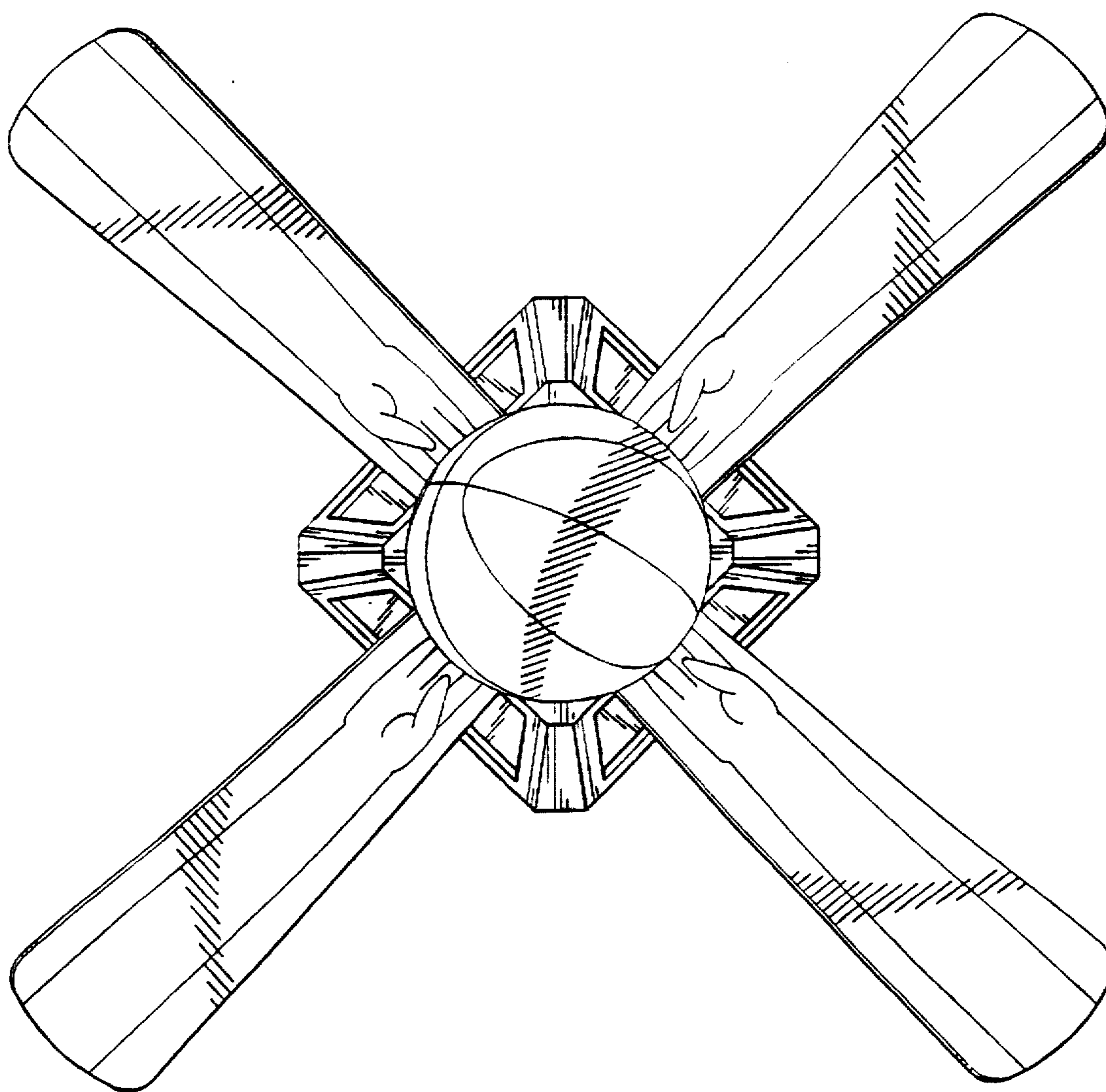


FIG 2

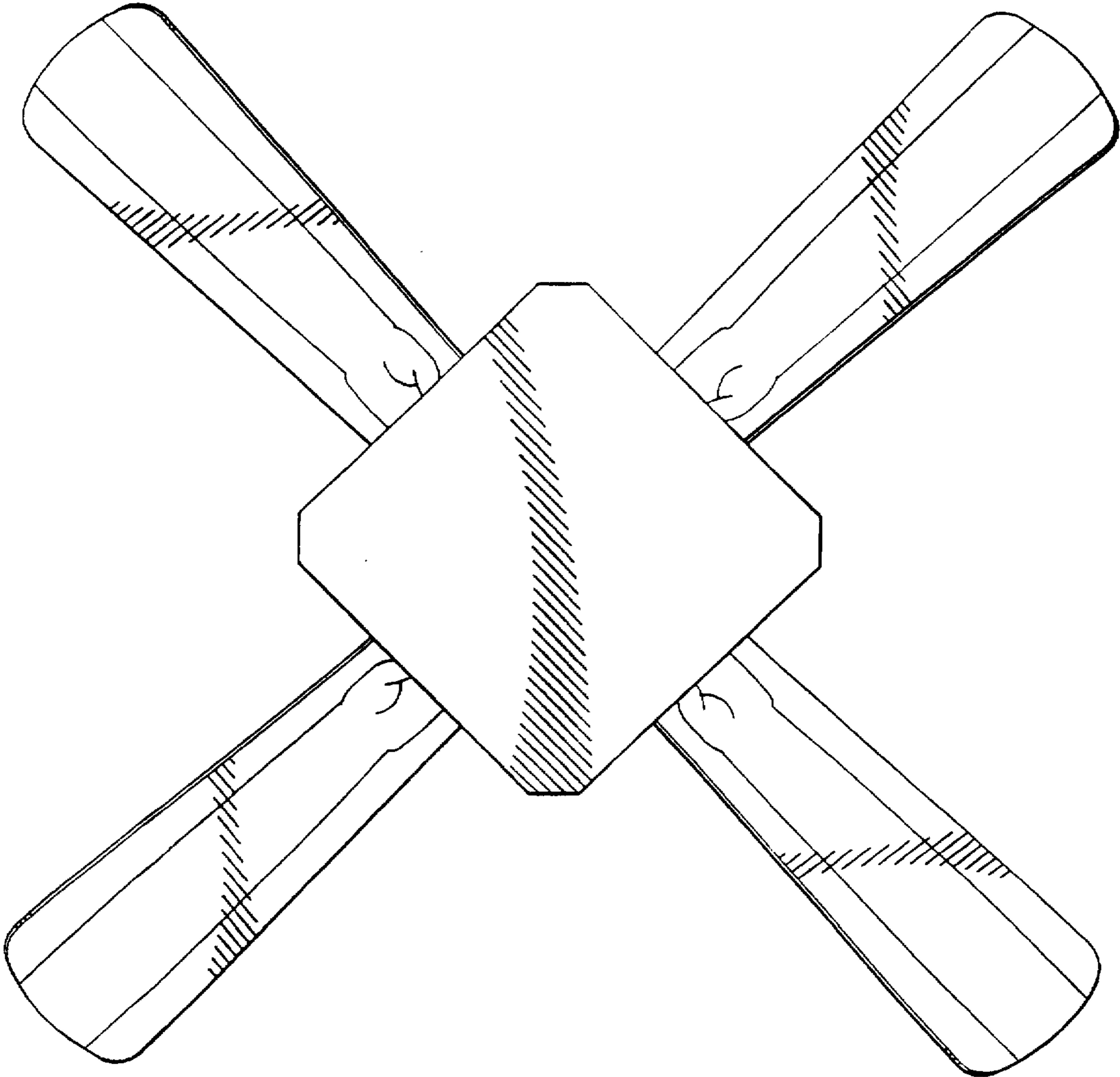


FIG 3

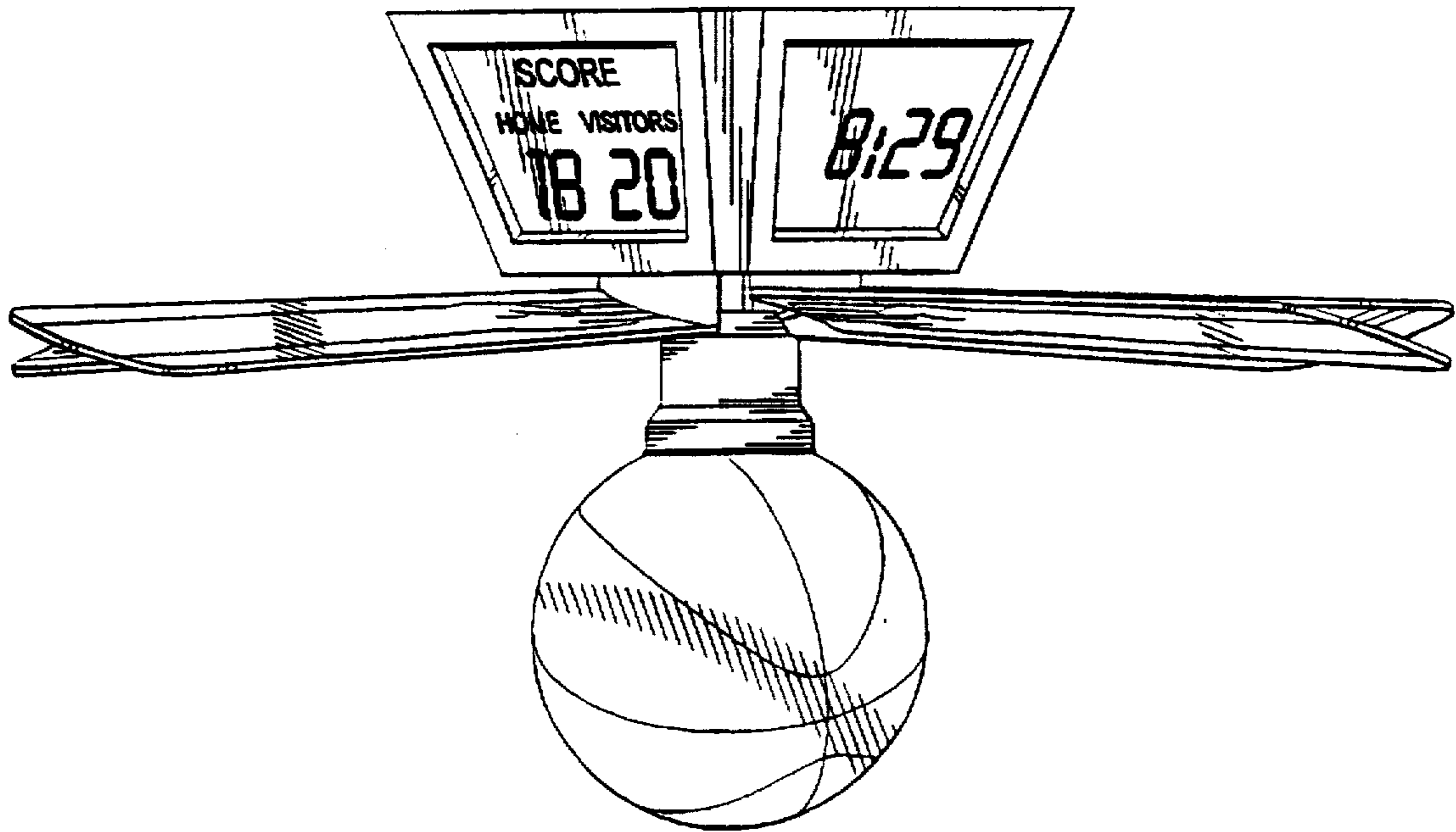


FIG 4

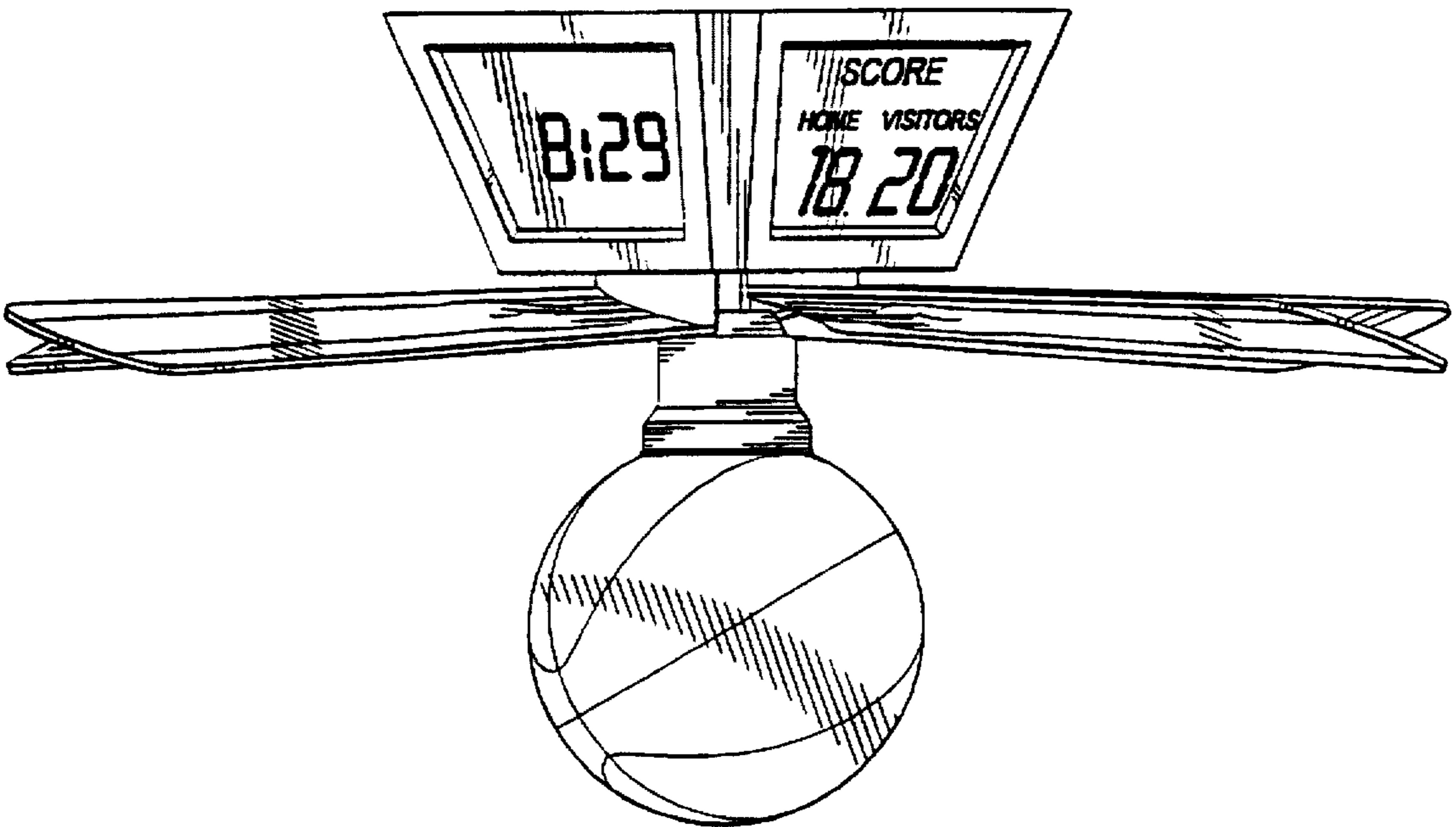


FIG 5

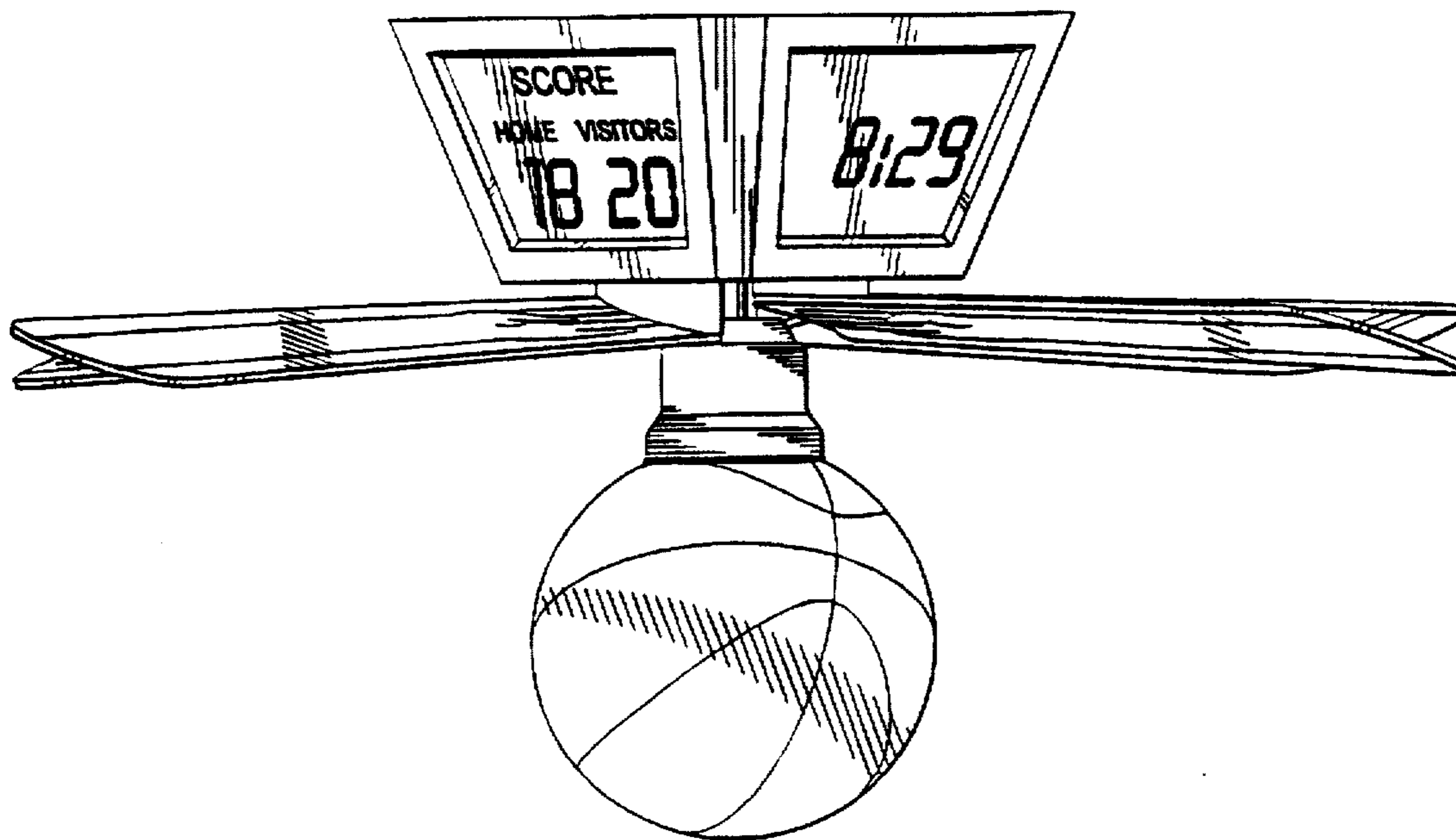


FIG 6

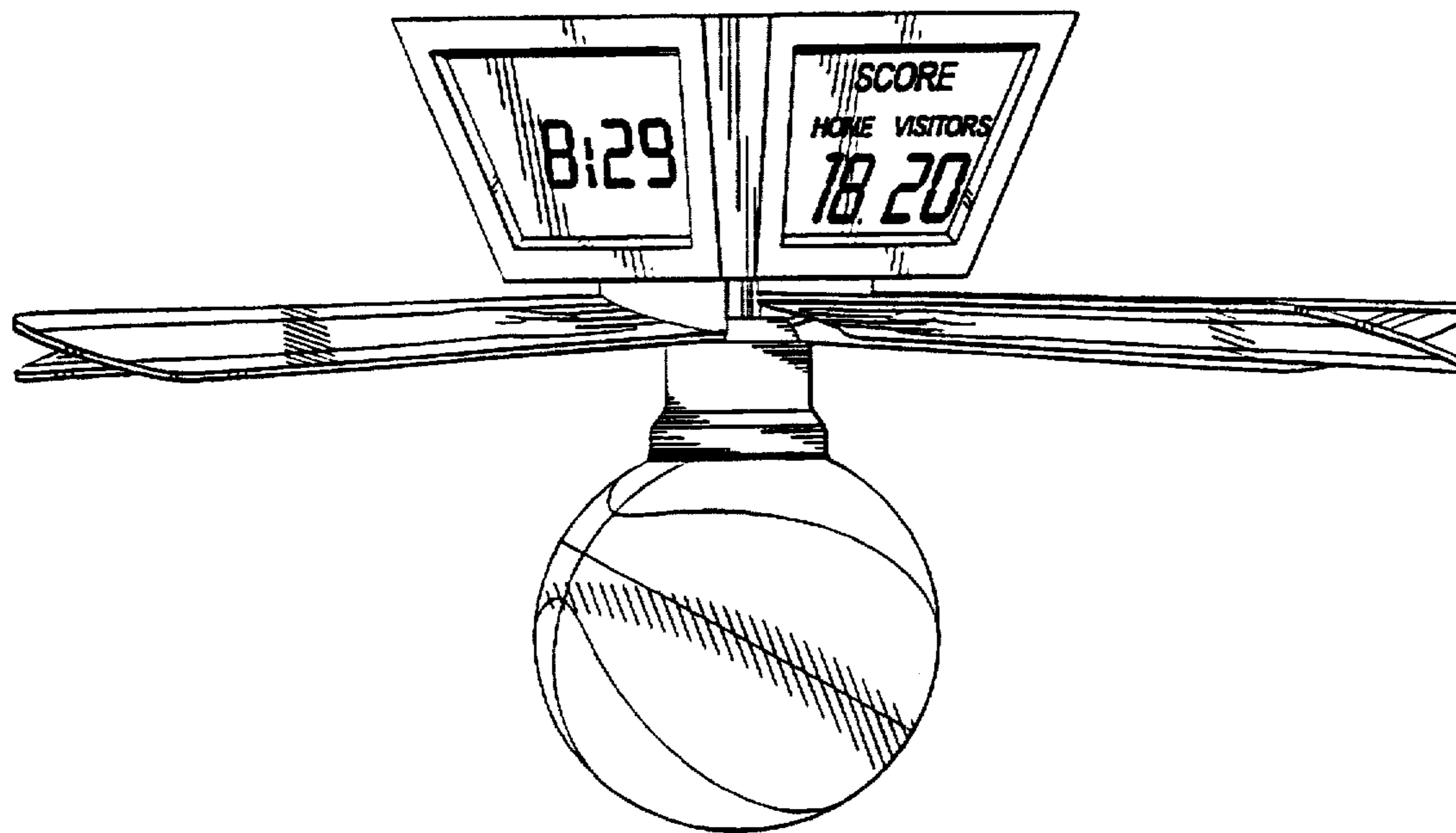


FIG 7