

US00D390645S

# United States Patent [19]

Hanrahan et al.

[11] Patent Number: **Des. 390,645**

[45] Date of Patent: **\*\*Feb. 10, 1998**

[54] **BABY WIPE WARMER**

[76] Inventors: **Michael P. Hanrahan; Jane A. Hanrahan**, both of 4129 Jamestown St., Cincinnati, Ohio 45205

[\*\*] Term: **14 Years**

[21] Appl. No.: **69,617**

[22] Filed: **May 7, 1997**

[51] LOC (6) Cl. .... **23-03**

[52] U.S. Cl. .... **D23/332; D9/423; D23/314**

[58] Field of Search ..... **D23/314, 332; 219/386, 387, 385; D9/432, 423, 414; D7/354**

### [56] References Cited

#### U.S. PATENT DOCUMENTS

D. 301,923	6/1989	Koschuta	.....	D23/314
D. 345,692	4/1994	Franekic et al.	.....	D9/414
D. 362,493	9/1995	Begum	.....	D23/314
5,159,177	10/1992	Kinberger	.....	219/386

#### OTHER PUBLICATIONS

House Furnishing Review, p. 41, Dish Washer, bottom right side of page, Feb. 1938.

Primary Examiner—Lisa Lichtenstein

Attorney, Agent, or Firm—David L. Volk

### [57] CLAIM

The ornamental design for a baby wipe warmer, as shown and described.

### DESCRIPTION

FIG. 1 is a perspective view of a baby wipe warmer showing my new design;

FIG. 2 is a right side elevational view thereof;

FIG. 3 is a left side elevational view thereof;

FIG. 4 is a front elevational view thereof;

FIG. 5 is a rear elevational view thereof;

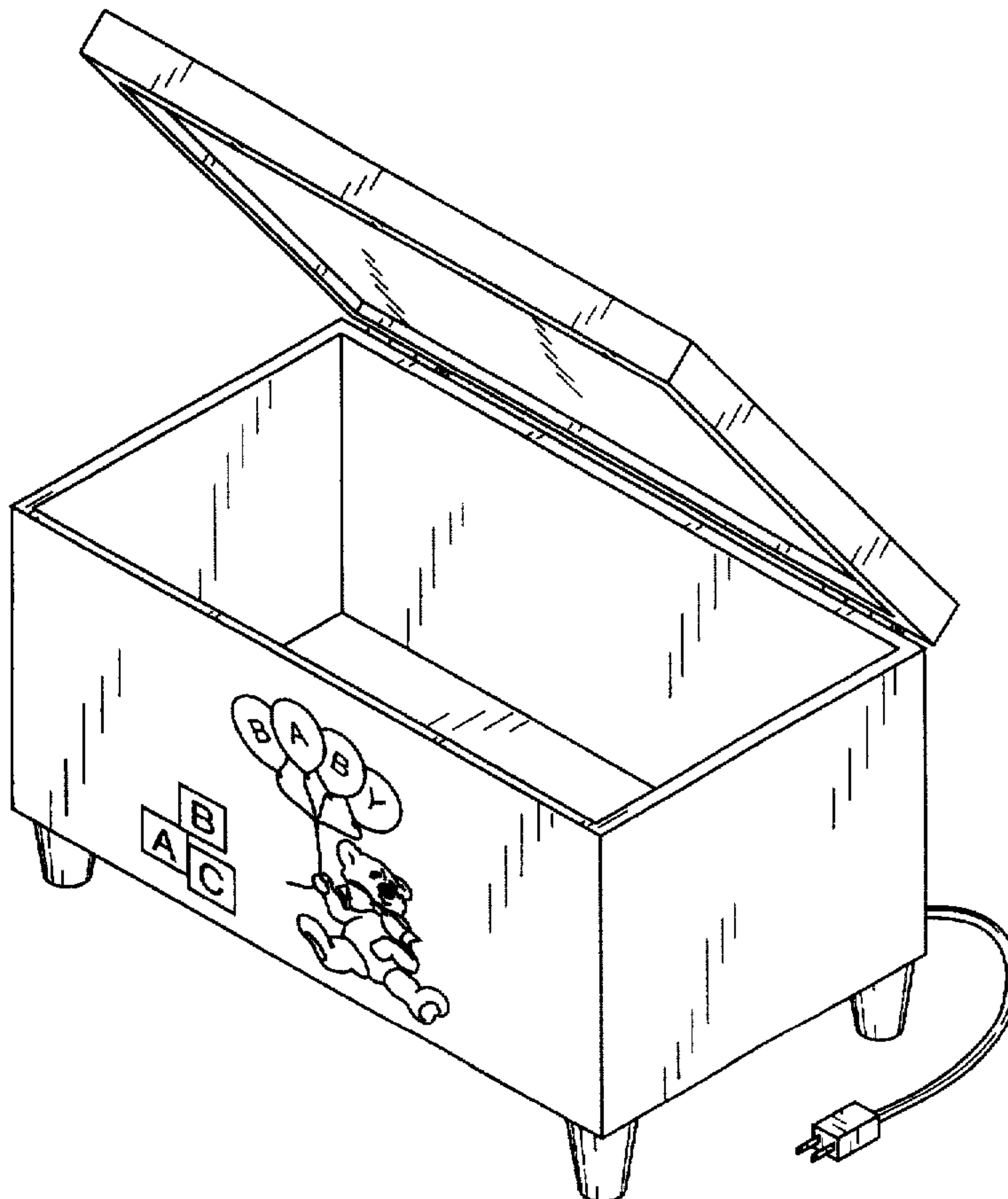
FIG. 6 is a top plan view thereof;

FIG. 7 is a bottom plan view thereof; and,

FIG. 8 is a perspective view thereof, shown with the lid closed.

Undisclosed and partially disclosed surfaces are plain and unornamented.

1 Claim, 4 Drawing Sheets



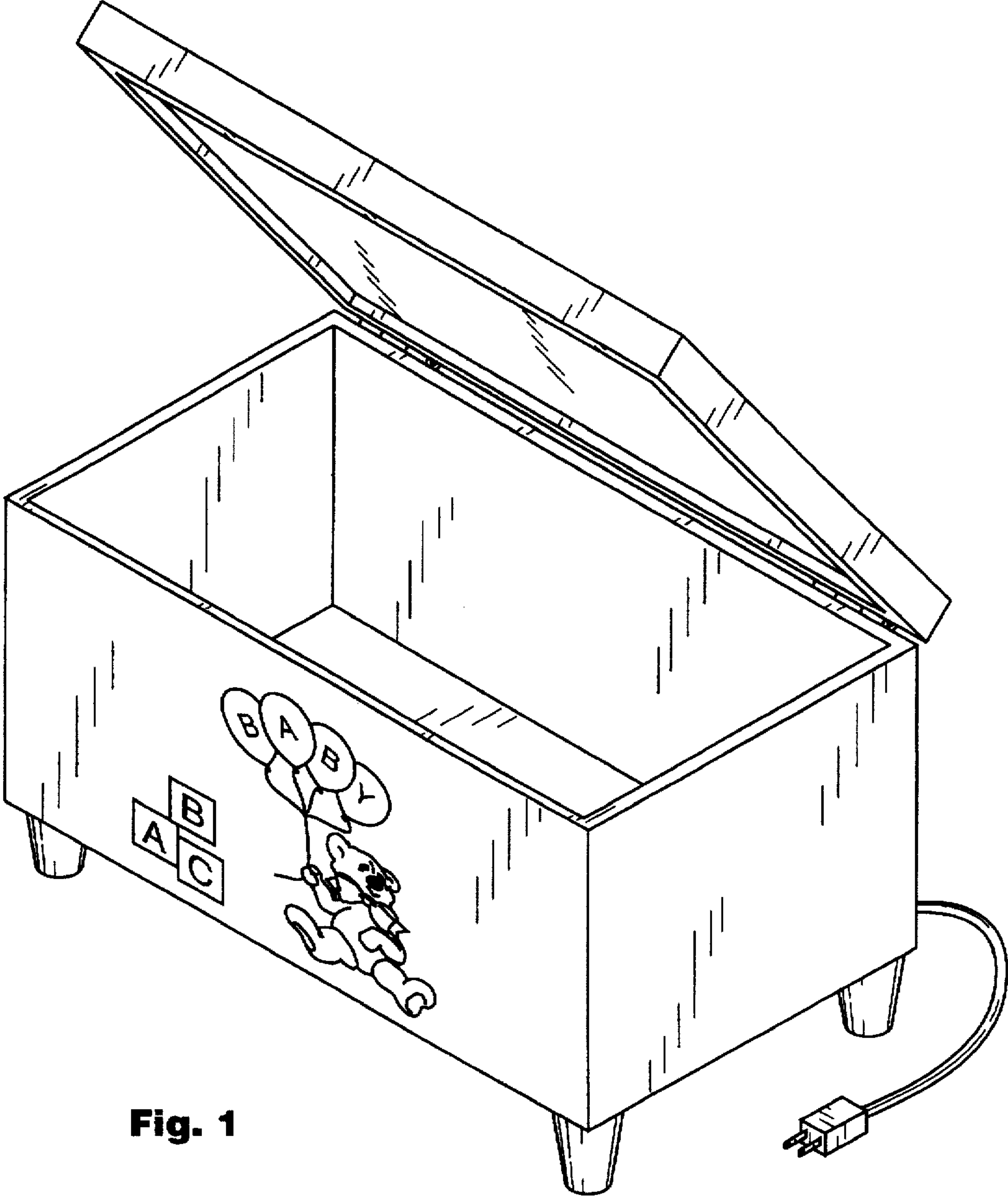
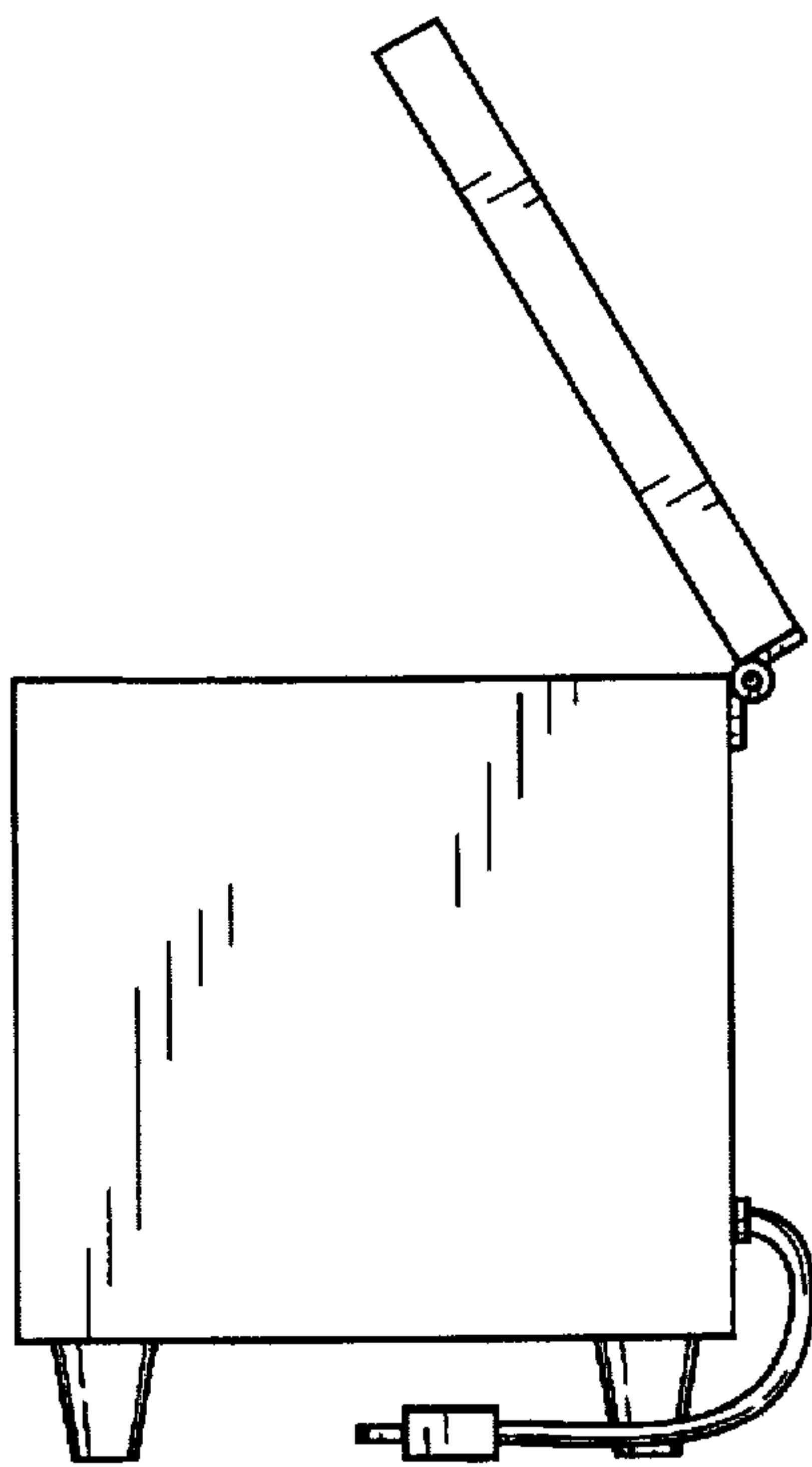
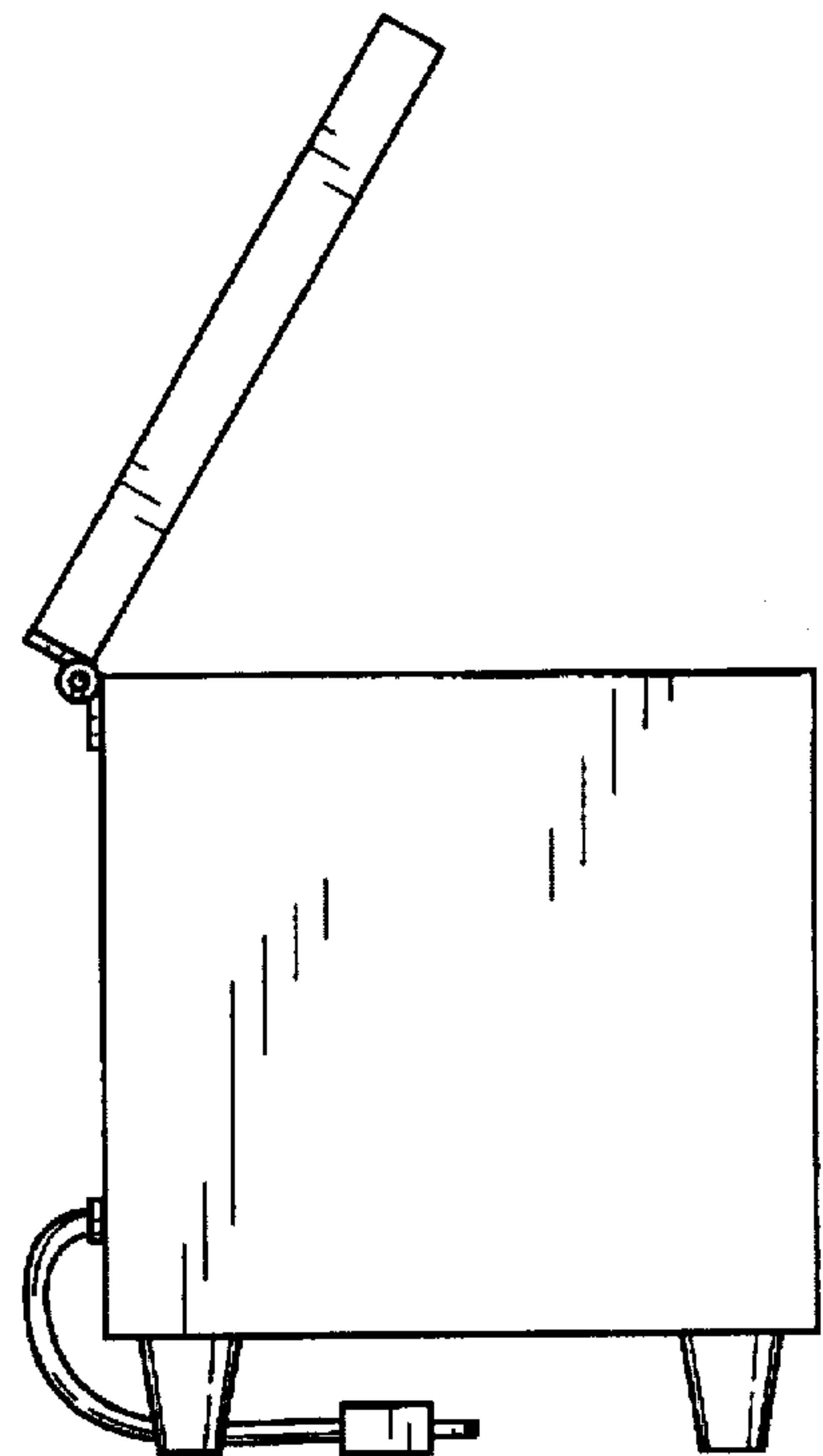


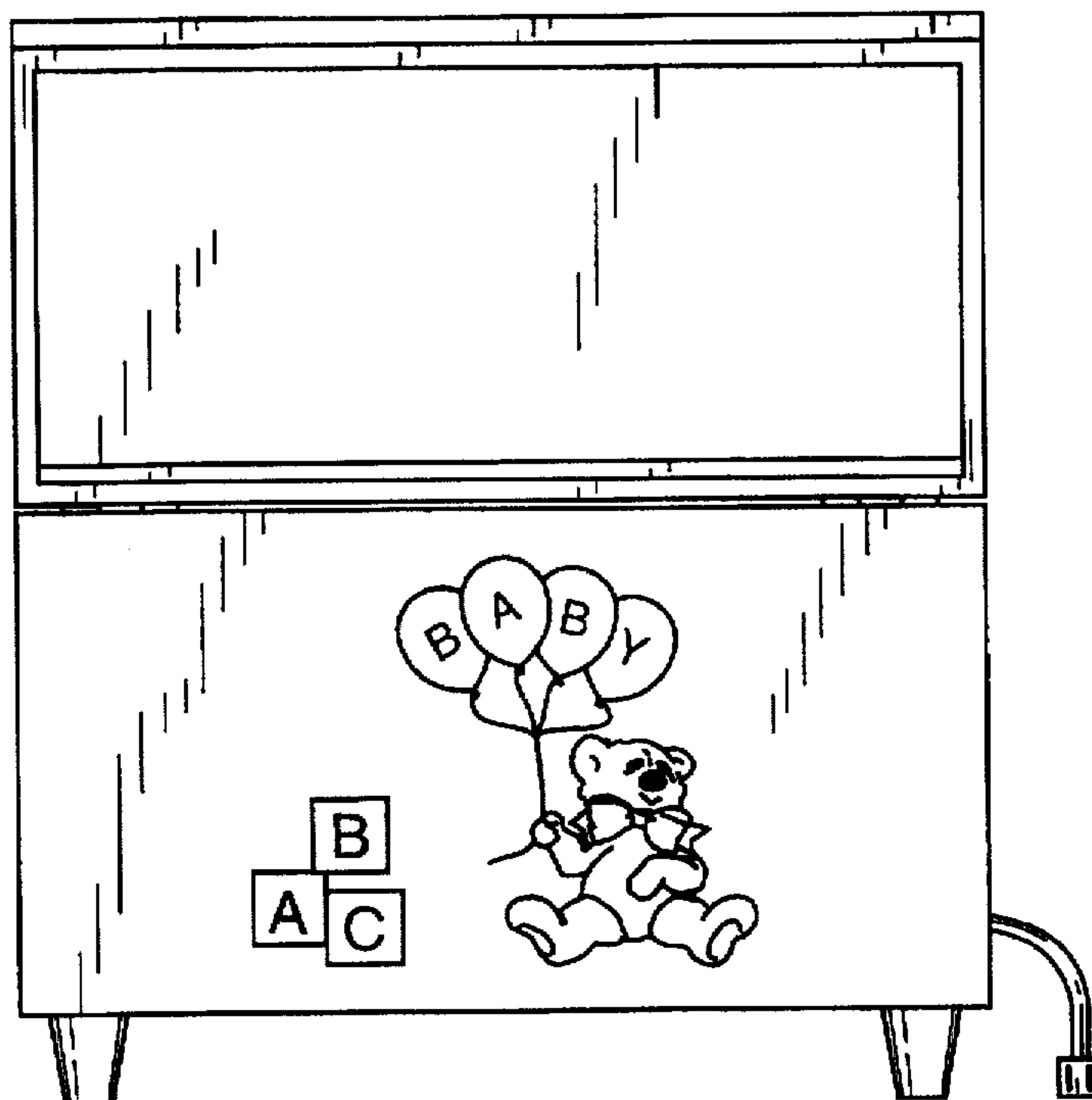
Fig. 1



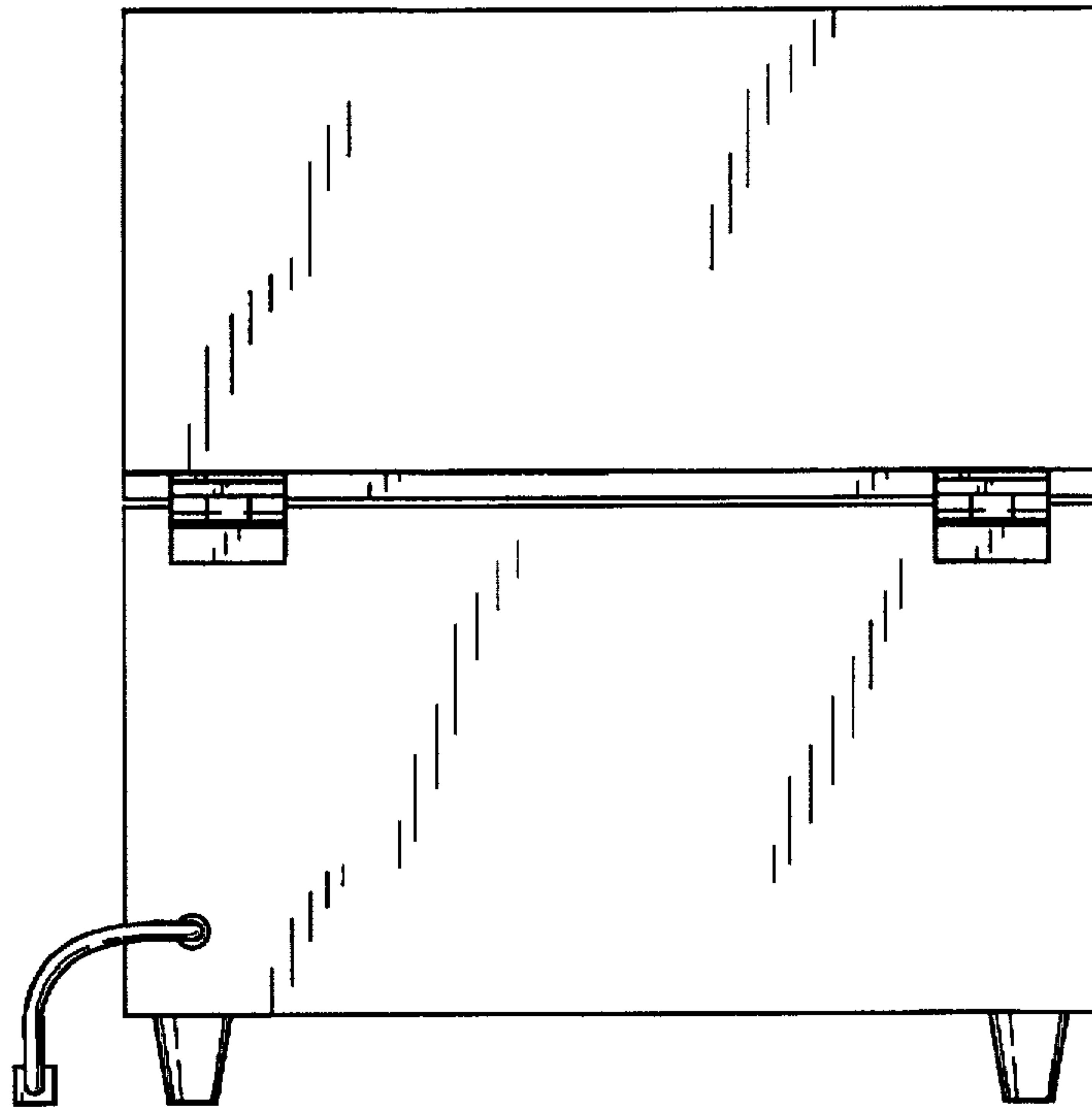
**Fig. 2**



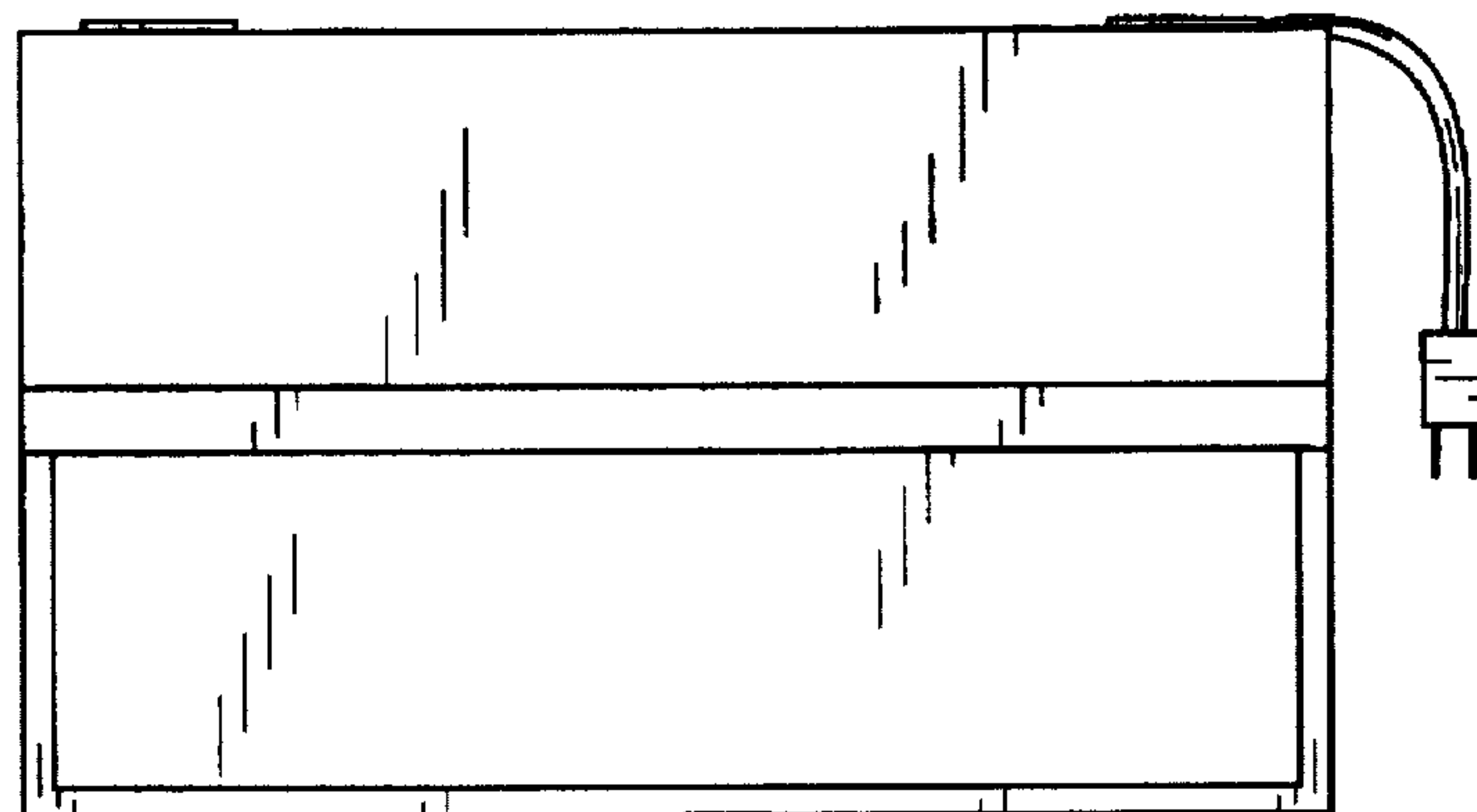
**Fig. 3**



**Fig. 4**



**Fig. 5**



**Fig. 6**

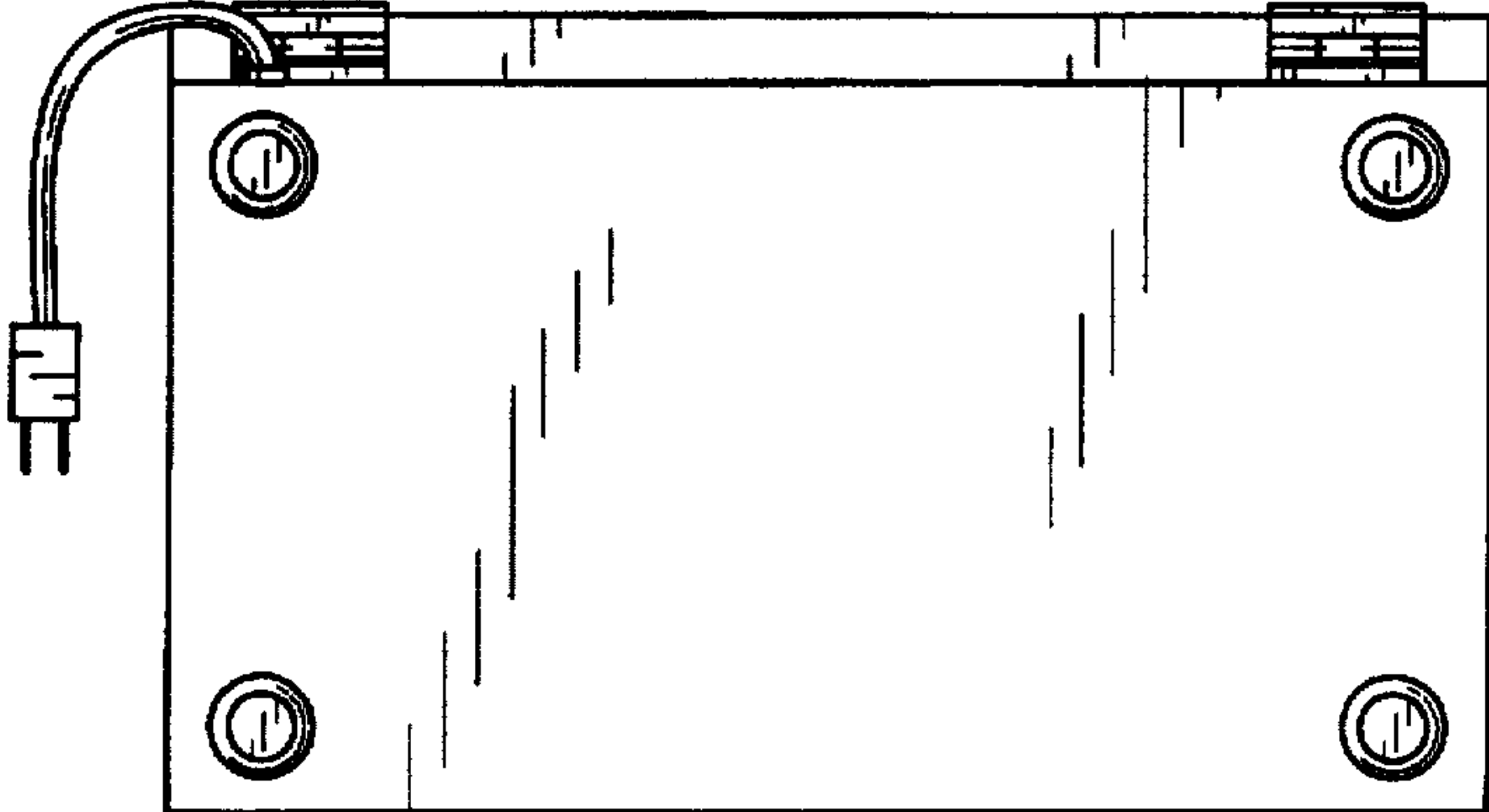


Fig. 7

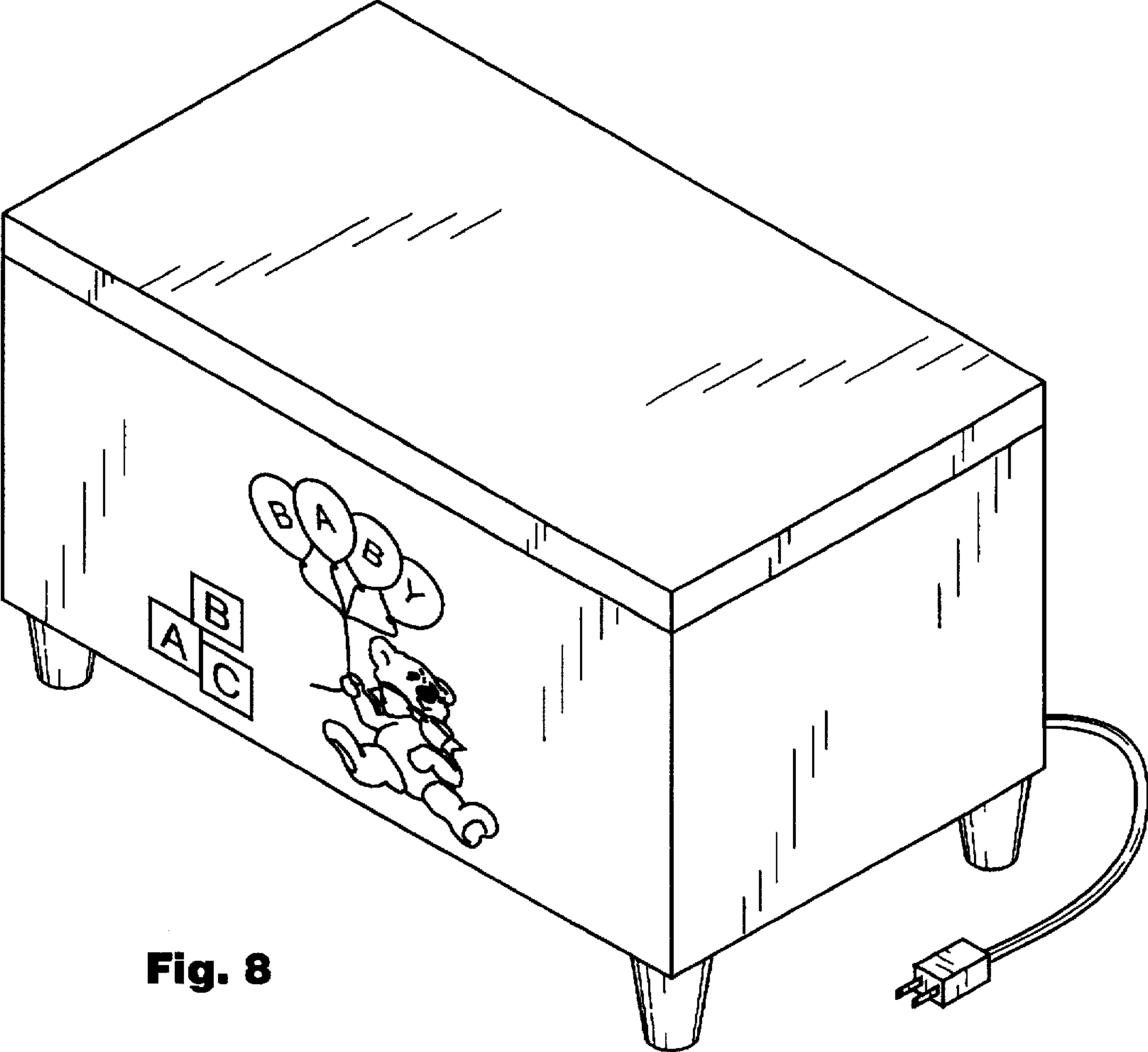


Fig. 8