

US00D390643S

United States Patent [19]

[11] Patent Number: **Des. 390,643**

Trueb et al.

[45] Date of Patent: ****Feb. 10, 1998**

[54] UNDERSINK PROTECTIVE ENCLOSURE

[75] Inventors: **Thomas W. Trueb; Steven R. Trueb,**
both of Ellington, Conn.

[73] Assignee: **Truebro, Inc.,** Ellington, Conn.

[**] Term: **14 Years**

[21] Appl. No.: **54,354**

[22] Filed: **May 13, 1996**

Related U.S. Application Data

[63] Continuation-in-part of Ser. No. 43,128, Aug. 25, 1995, Pat. No. Des. 384,732, Ser. No. 40,563, Jun. 21, 1995, Pat. No. Des. 373,412, and Ser. No. 40,564, Jun. 21, 1995, Pat. No. Des. 372,077.

[51] LOC (6) Cl. **23-02**

[52] U.S. Cl. **D23/308**

[58] Field of Search **D23/295-299,**
D23/302-311; 4/661, 654, 311

[56] References Cited

U.S. PATENT DOCUMENTS

D. 258,683	3/1981	Wilson	D23/308
D. 358,634	5/1995	Dannenberg et al.	D23/308
D. 375,154	10/1996	Trueb et al.	D23/308
4,646,370	3/1987	Risberg et al.	D23/308 X
5,253,376	10/1993	Fait	4/661

OTHER PUBLICATIONS

Federal Government issued Specification Sheet for Under-Fixture Enclosure, FIGS. B4.18.4 and B4.20.3.1, published in the Federal Register of Jul. 26, 1991.

Primary Examiner—Louis S. Zarfaz
Assistant Examiner—Eric Watterson
Attorney, Agent, or Firm—Ira S. Dorman

[57] CLAIM

The ornamental design for an undersink protective enclosure, as shown.

DESCRIPTION

FIG. 1 is a perspective view of the undersink protective enclosure of the invention;

FIG. 2 is a side elevational view of the undersink protective enclosure of the invention, the other side being a mirror image thereof;

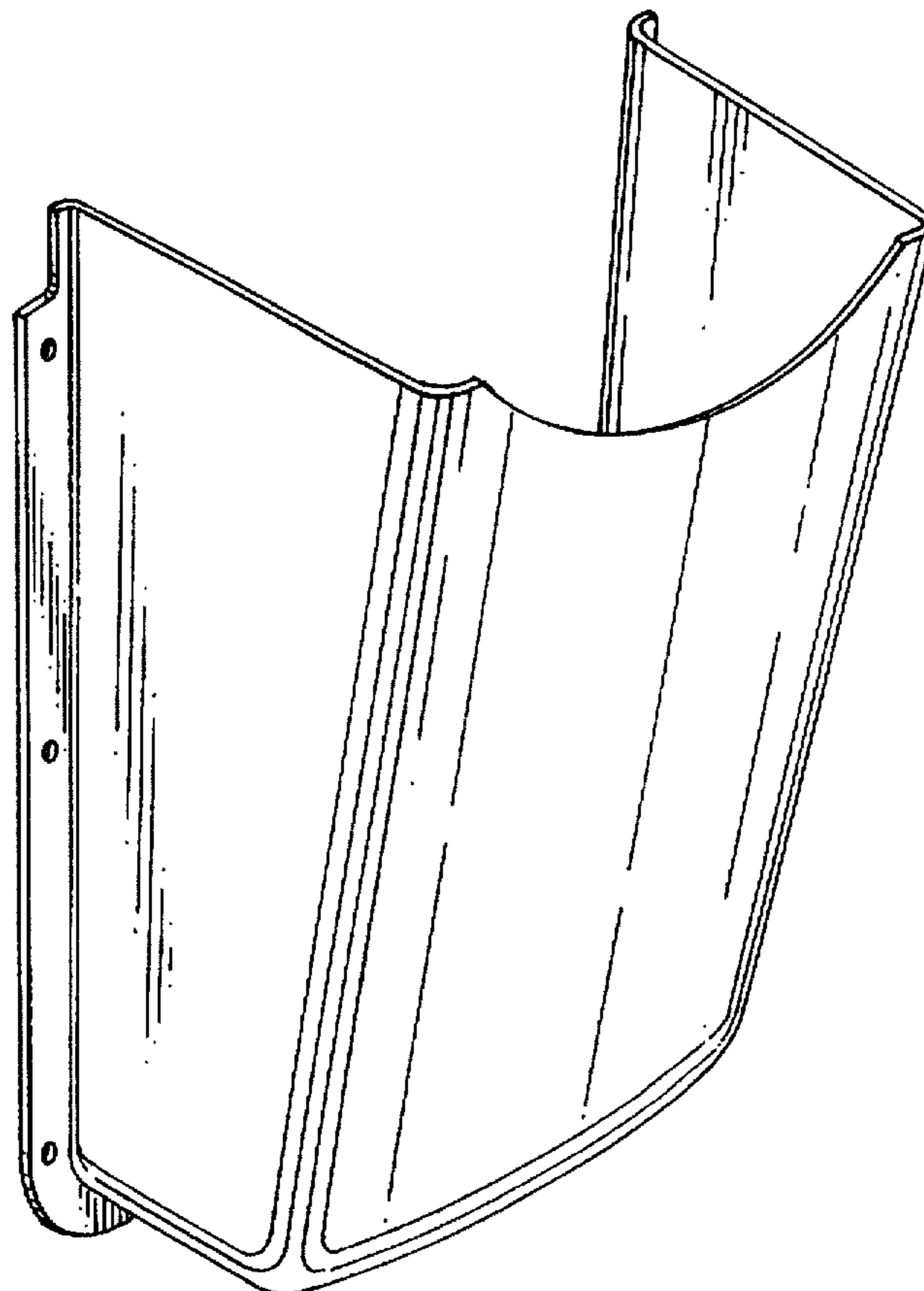
FIG. 3 is a bottom view of the undersink protective enclosure of the invention;

FIG. 4 is a front view of the undersink protective enclosure of the invention;

FIG. 5 is a top view of the undersink protective enclosure of the invention; and,

FIG. 6 is a rear view of the undersink protective enclosure of the invention.

1 Claim, 3 Drawing Sheets



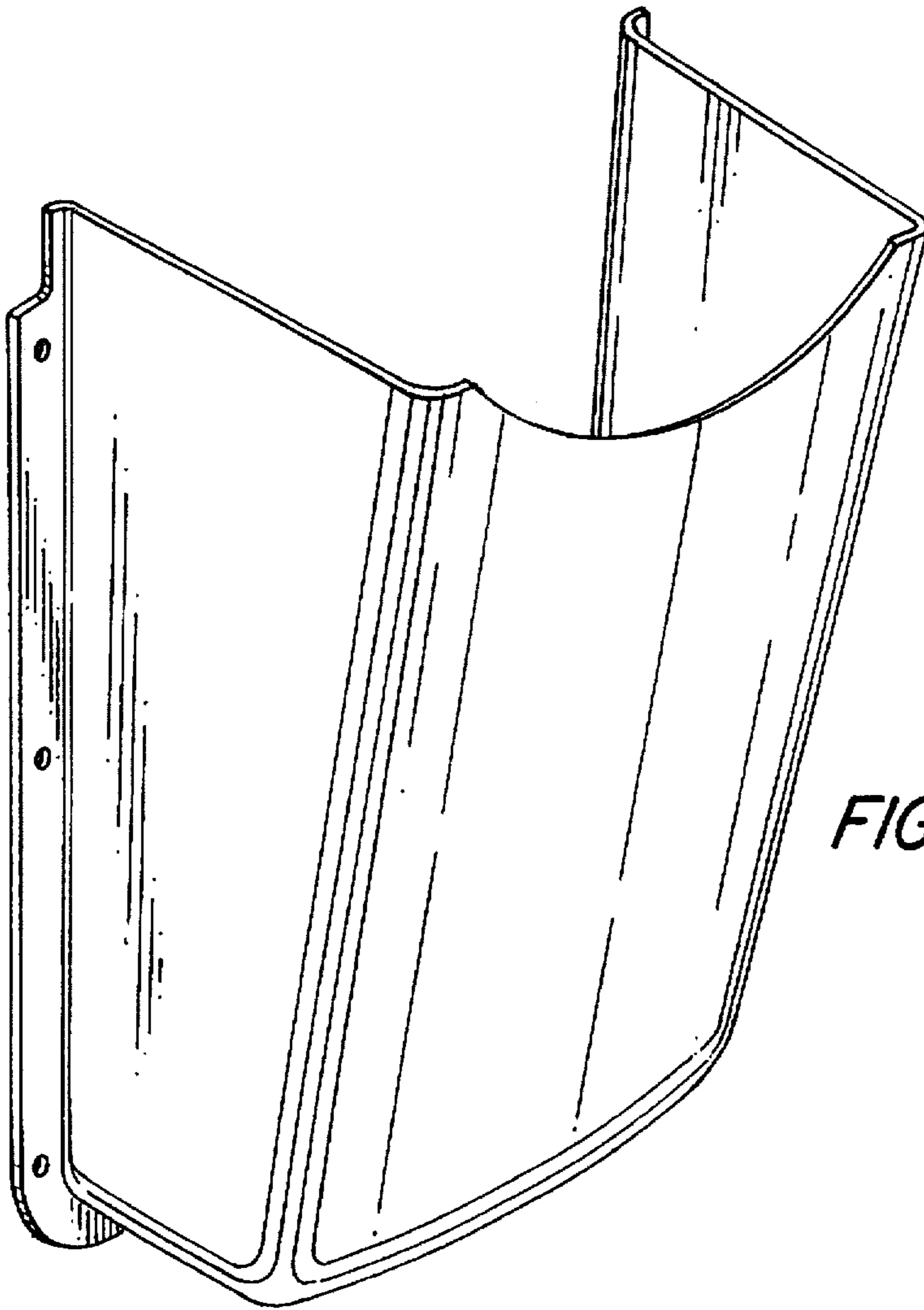


FIG. 1

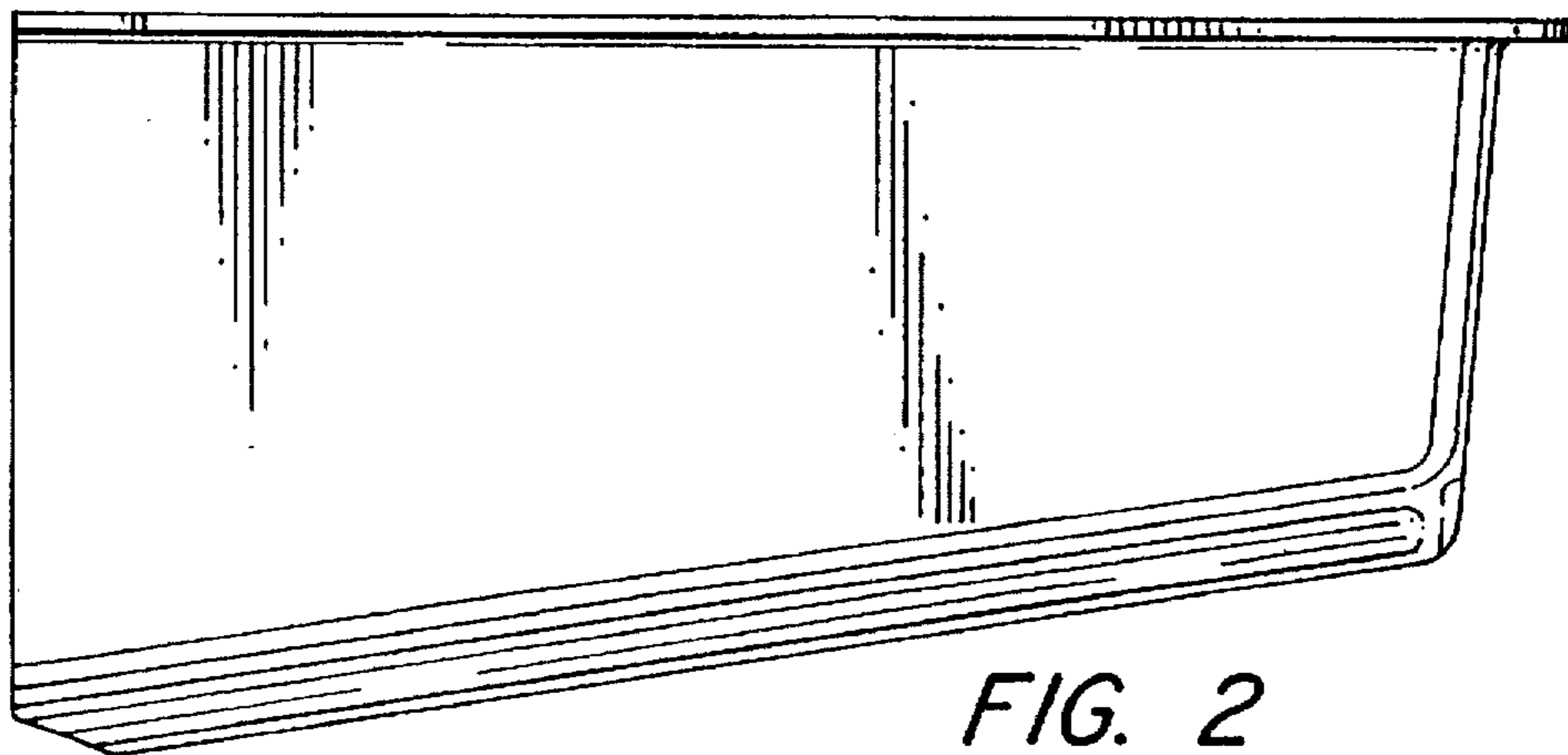


FIG. 2

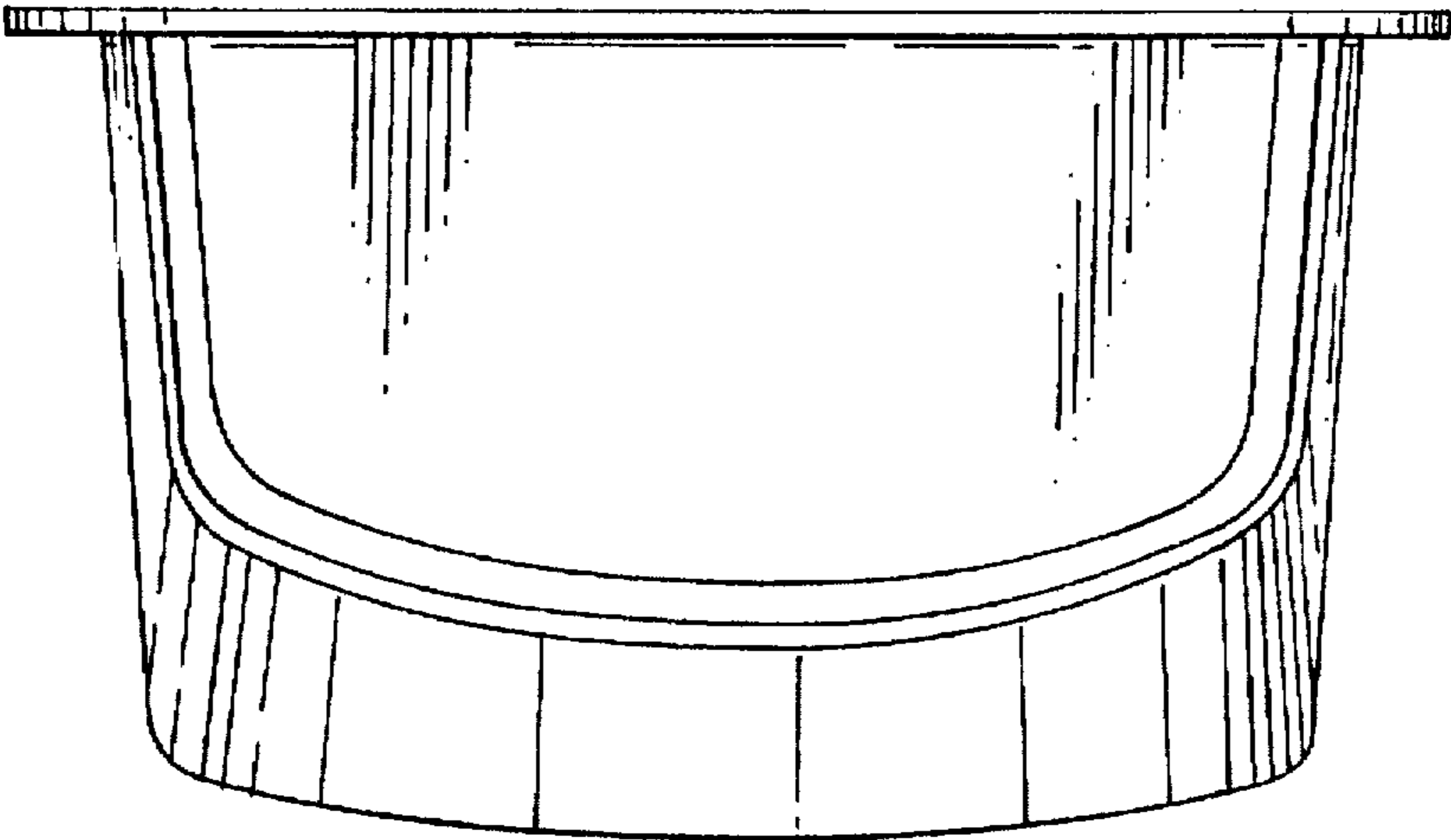


FIG. 3

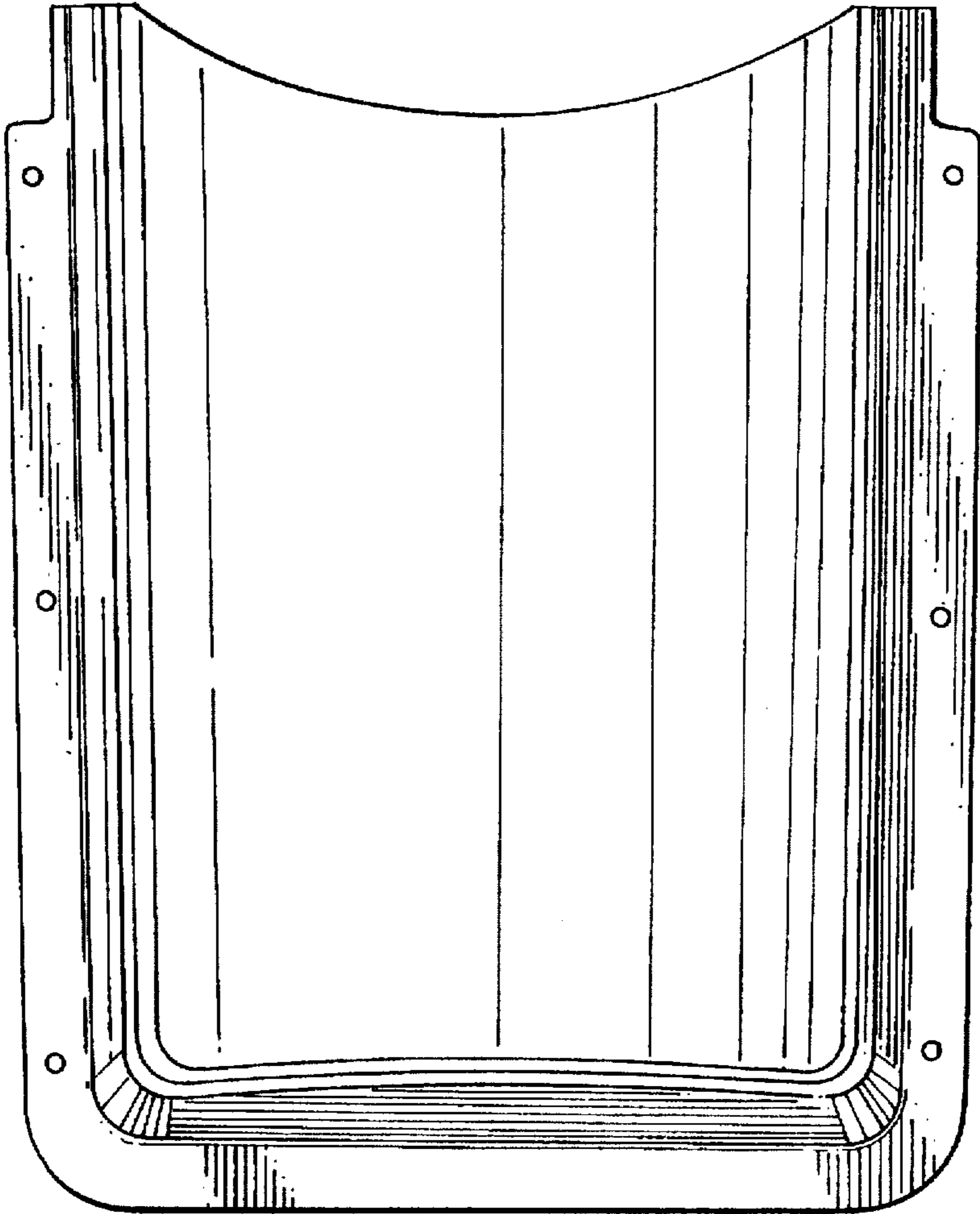


FIG. 4

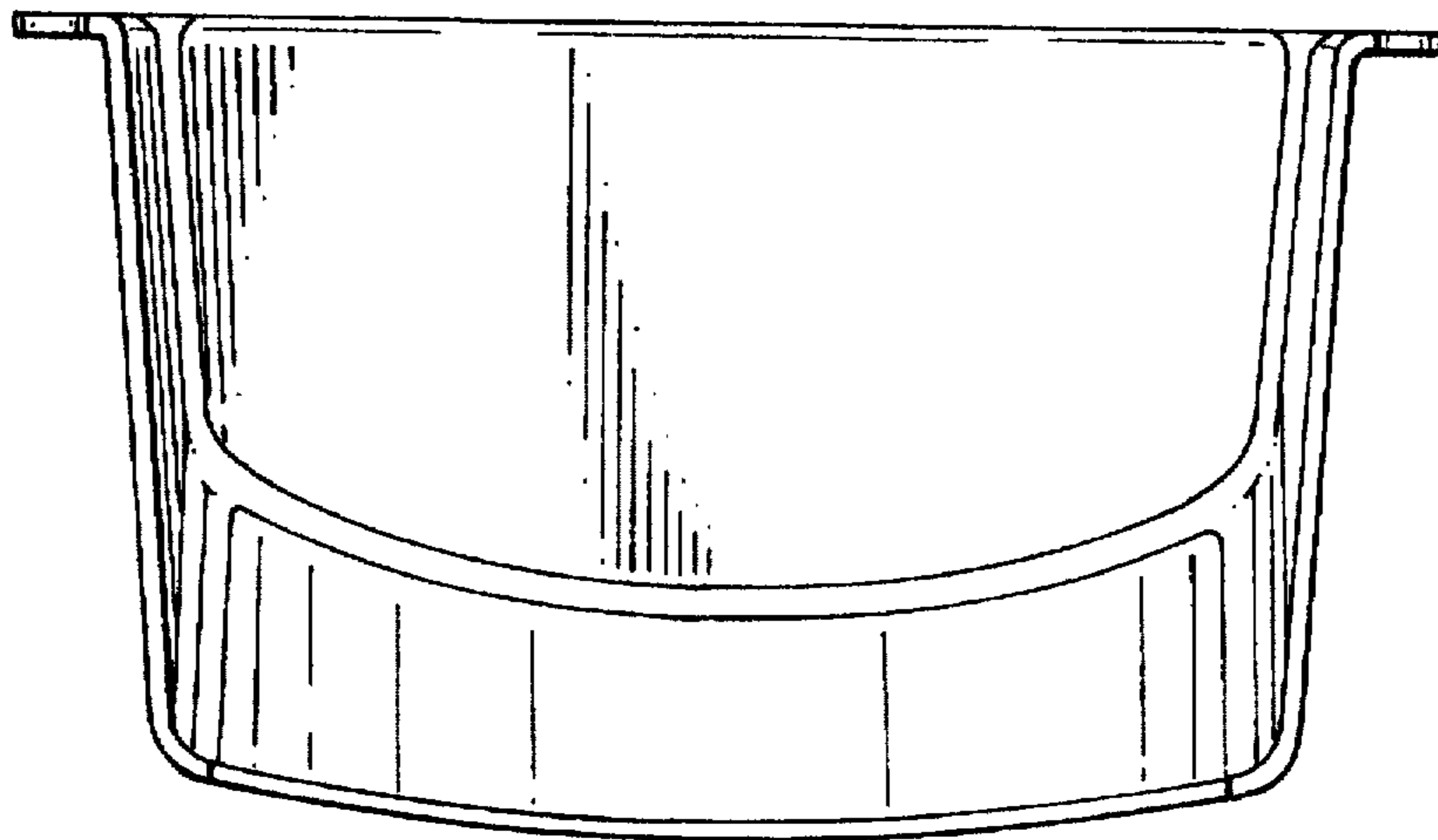


FIG. 5

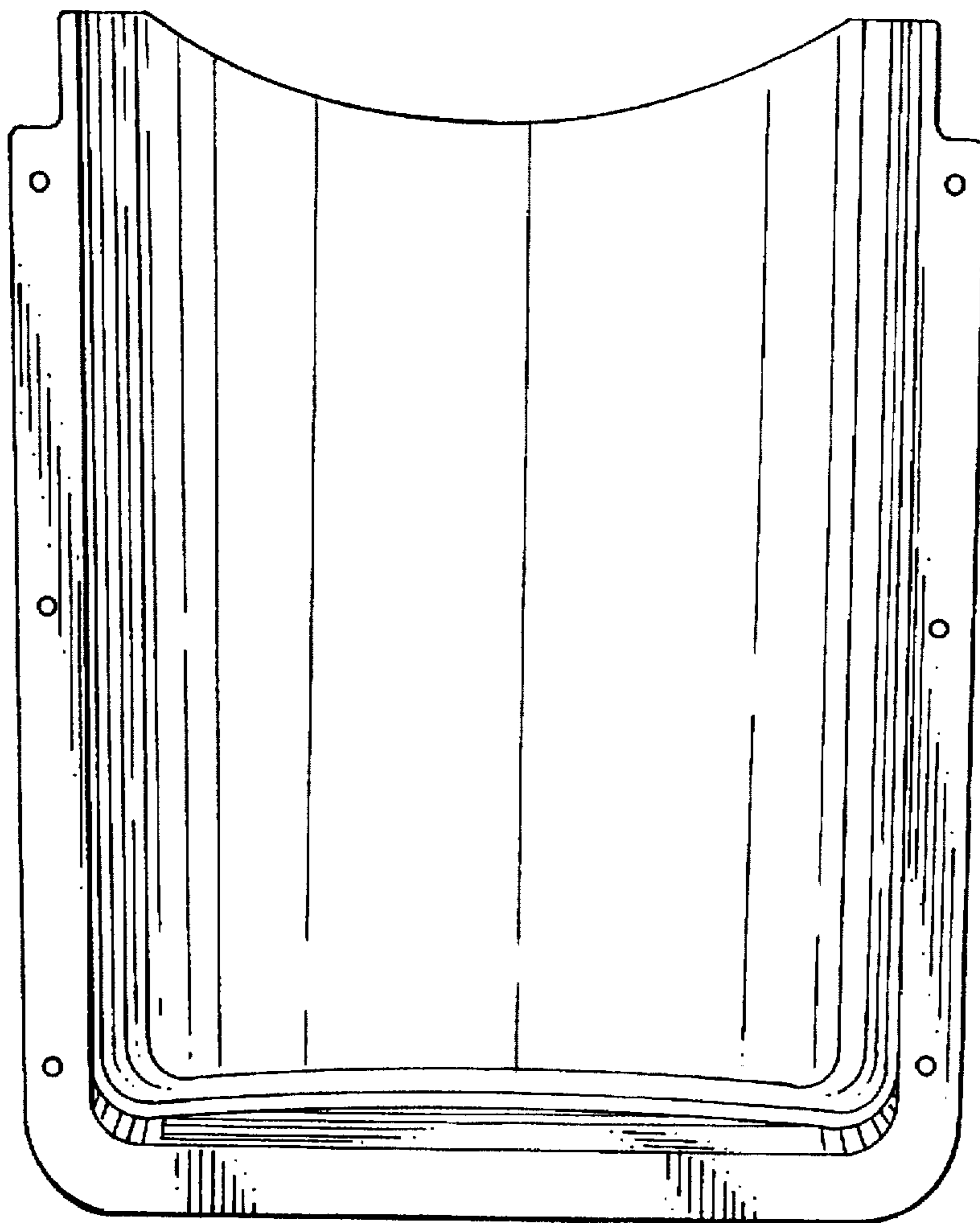


FIG. 6