



US00D390639S

United States Patent [19]
Ming-hua

[11] **Patent Number: Des. 390,639**
[45] **Date of Patent: **Feb. 10, 1998**

[54] **FAUCET**

[76] **Inventor: Chin Ming-hua, 5F-23, 70, Fu-Shing Road, Taoyuan, Taiwan**

[**] **Term: 14 Years**

[21] **Appl. No.: 58,068**

[22] **Filed: Aug. 7, 1996**

[51] **LOC (6) Cl. 23-01**

[52] **U.S. Cl. D23/243**

[58] **Field of Search D23/238-243, D23/250-257; 4/675-678; 137/801**

[56] **References Cited**

U.S. PATENT DOCUMENTS

D. 213,824	4/1969	Loudell	D23/238
D. 290,492	6/1987	Hill et al.	D23/238
D. 296,461	6/1988	Yost	D23/241

D. 360,931	8/1995	Morie et al.	D23/238
D. 375,146	10/1996	Doughty et al.	D23/243

Primary Examiner—Louis S. Zarfes
Assistant Examiner—Eric Watterson
Attorney, Agent, or Firm—Bacon & Thomas

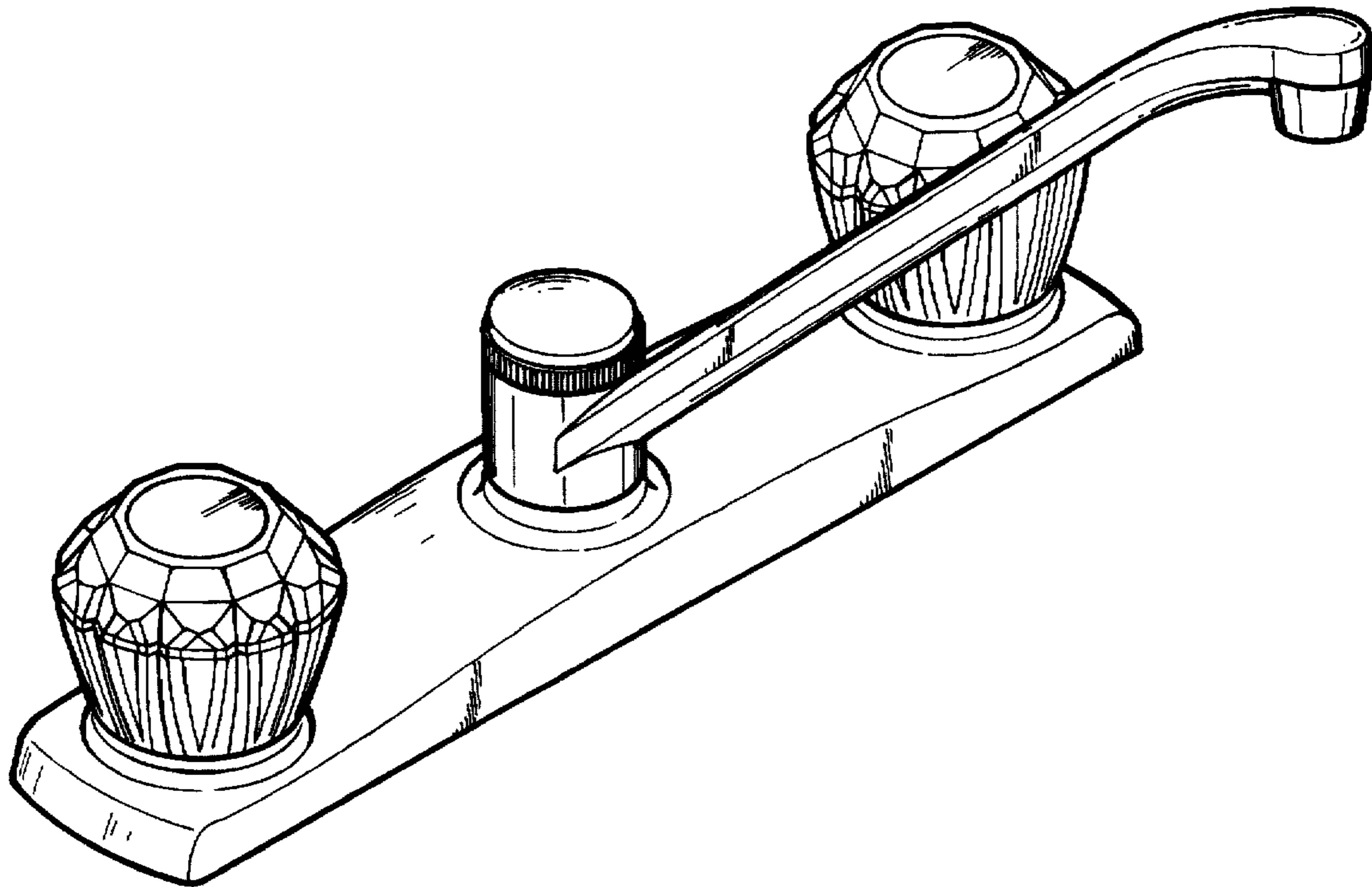
[57] **CLAIM**

The ornamental design for a faucet, as shown.

DESCRIPTION

FIG. 1 is a perspective view of a faucet showing my design;
FIG. 2 is a front elevational view thereof;
FIG. 3 is a rear elevational view thereof;
FIG. 4 is a left side elevational view thereof;
FIG. 5 is a right side elevational view thereof;
FIG. 6 is a top plan view thereof; and,
FIG. 7 is a bottom plan view thereof.

1 Claim, 5 Drawing Sheets



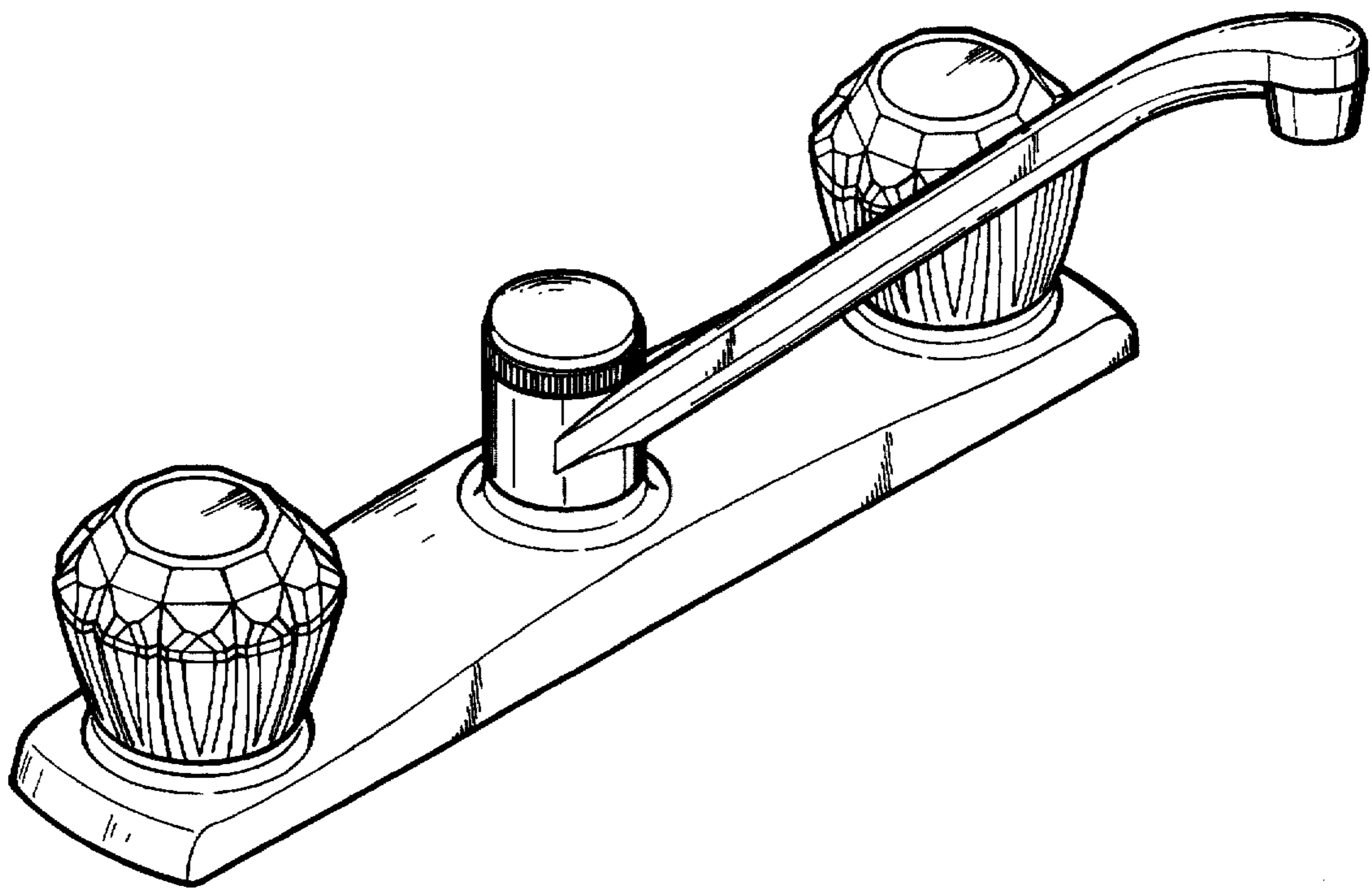


FIG. 1

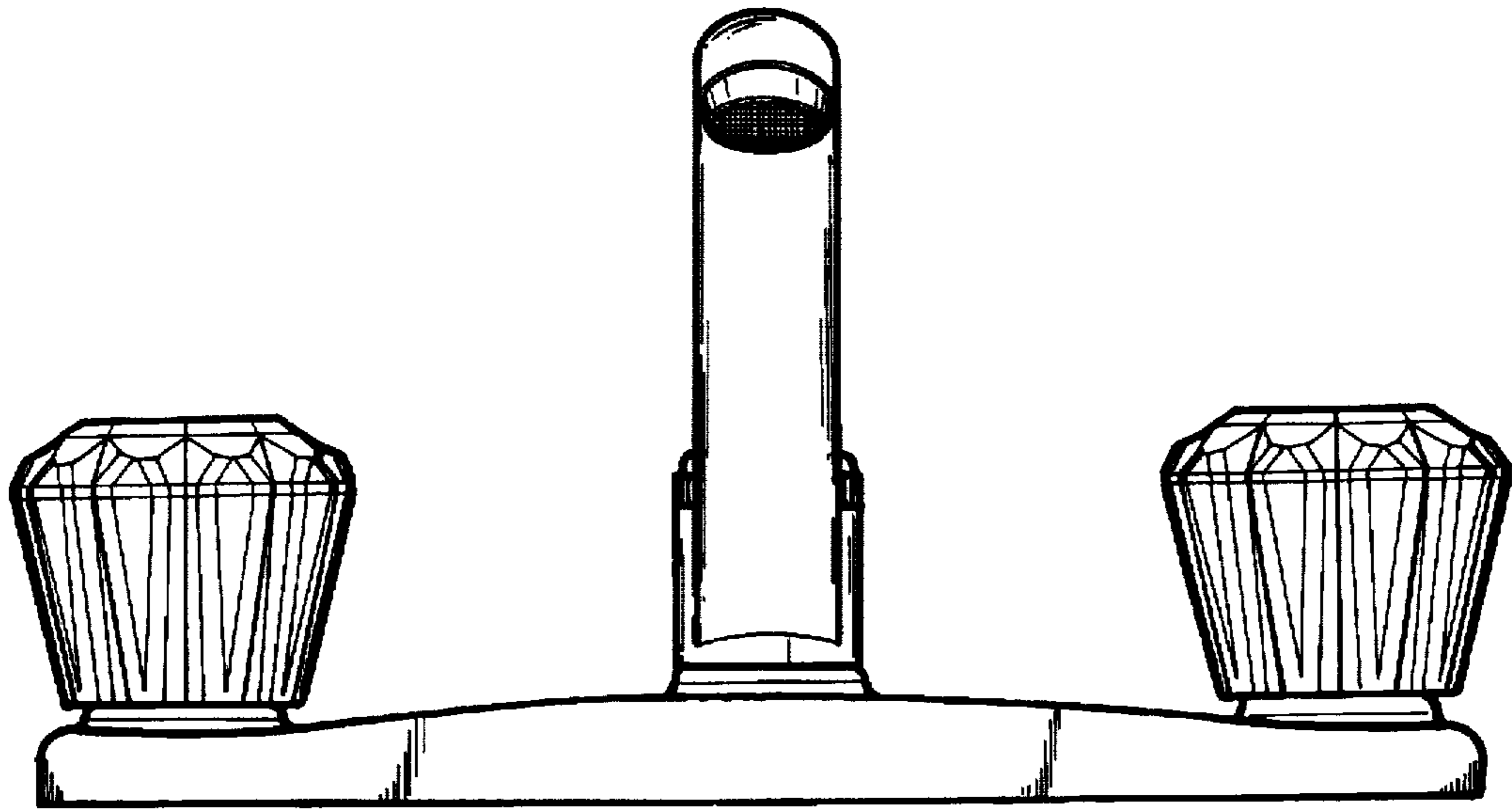


FIG. 2

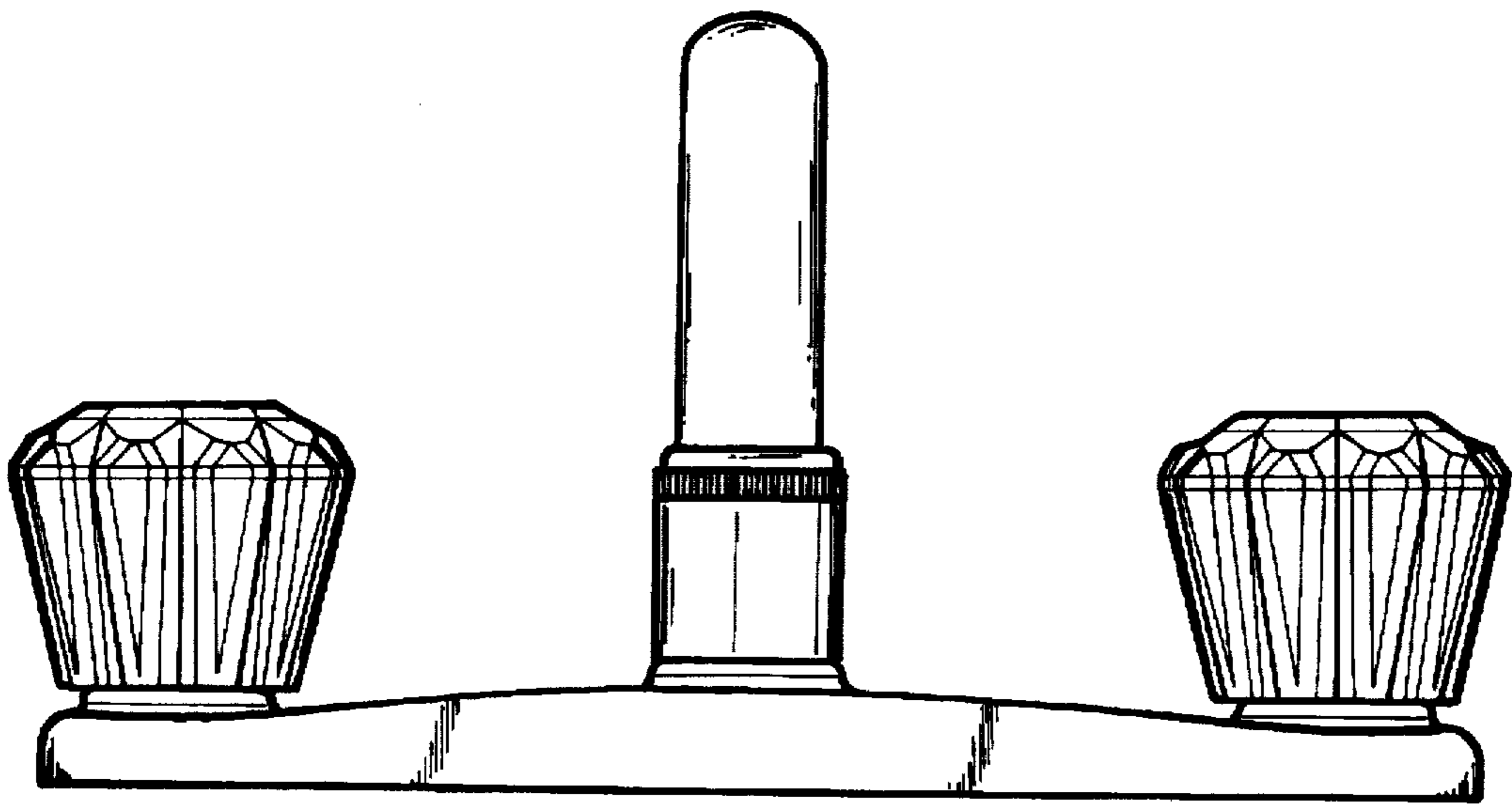


FIG. 3

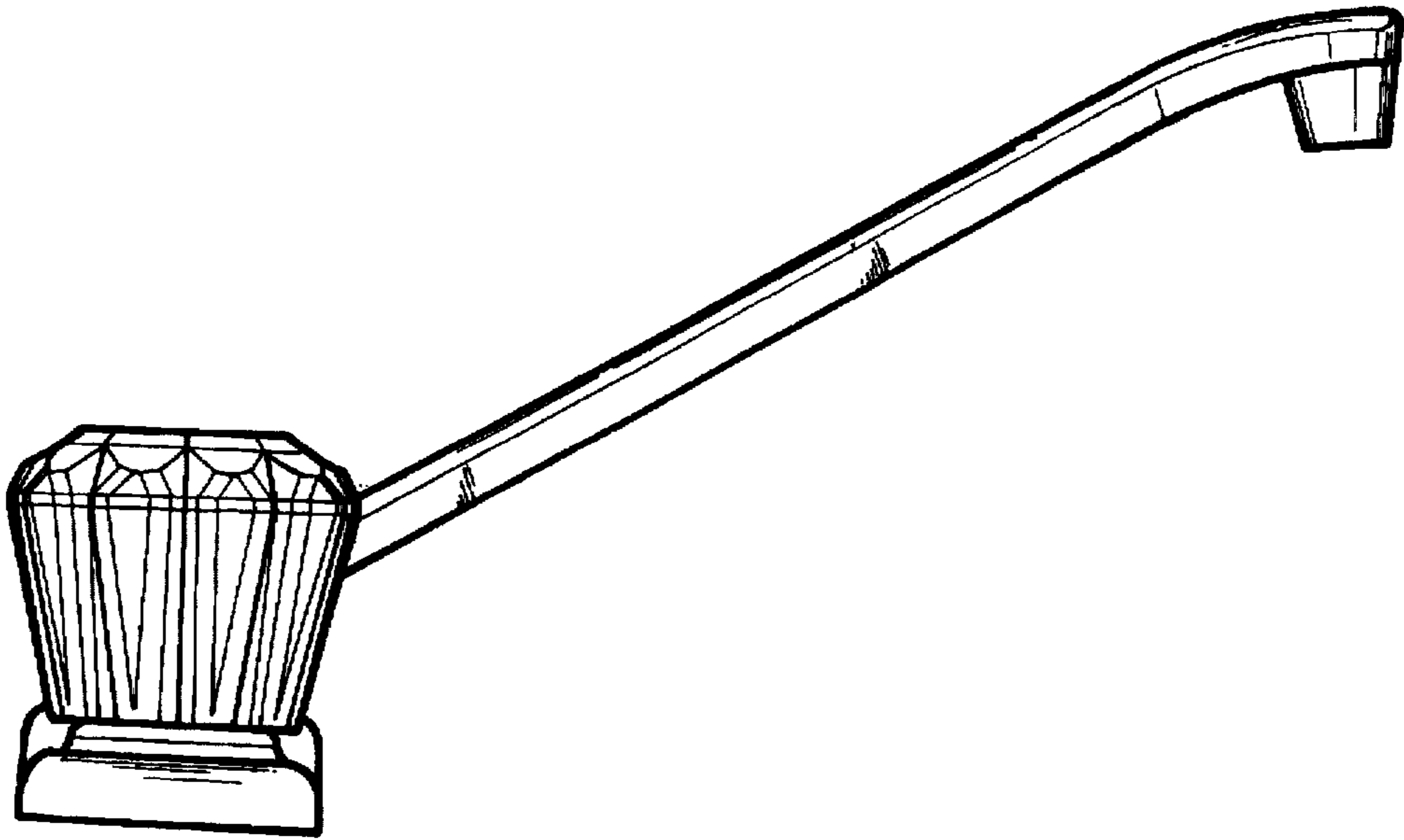


FIG. 4

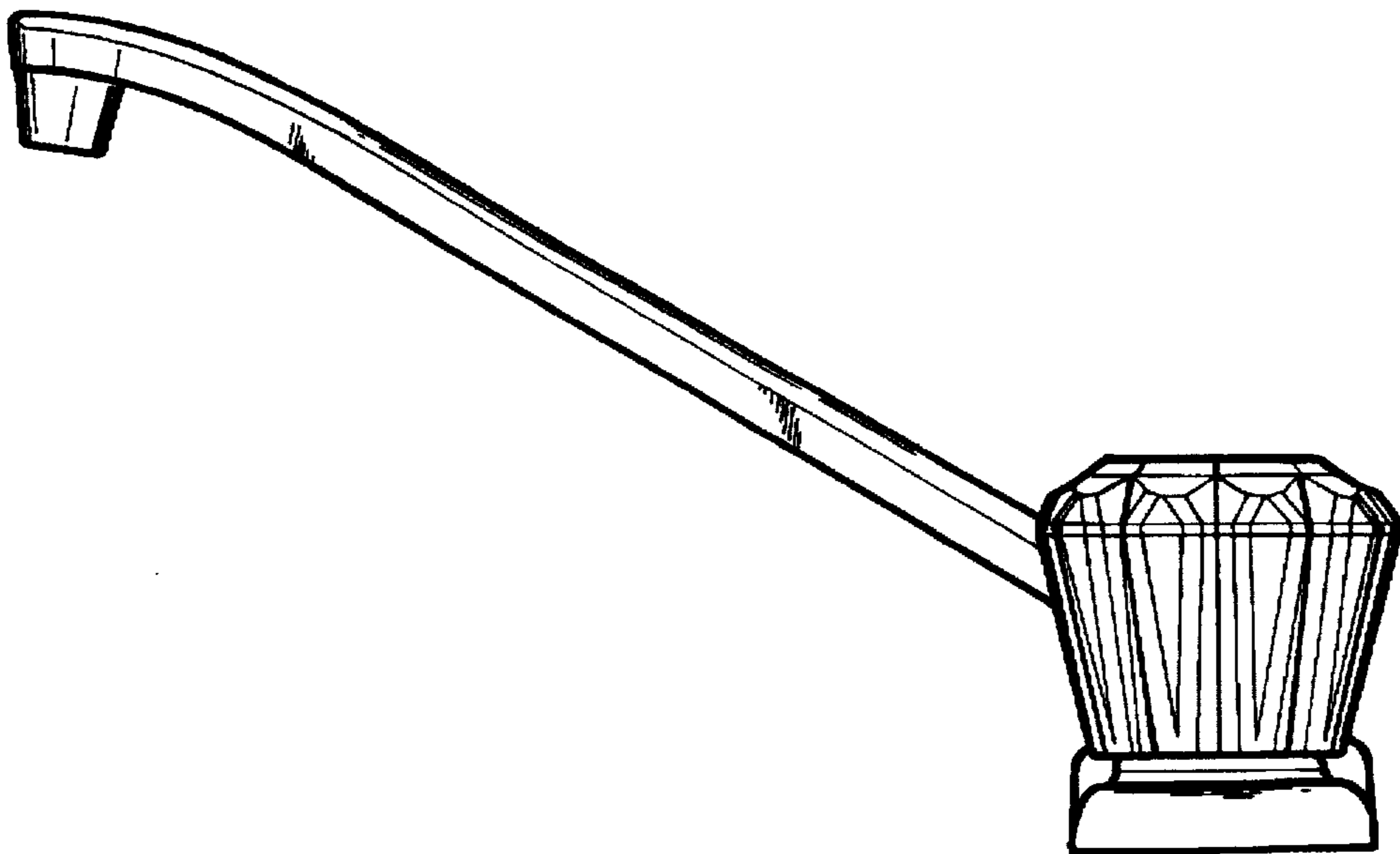


FIG. 5

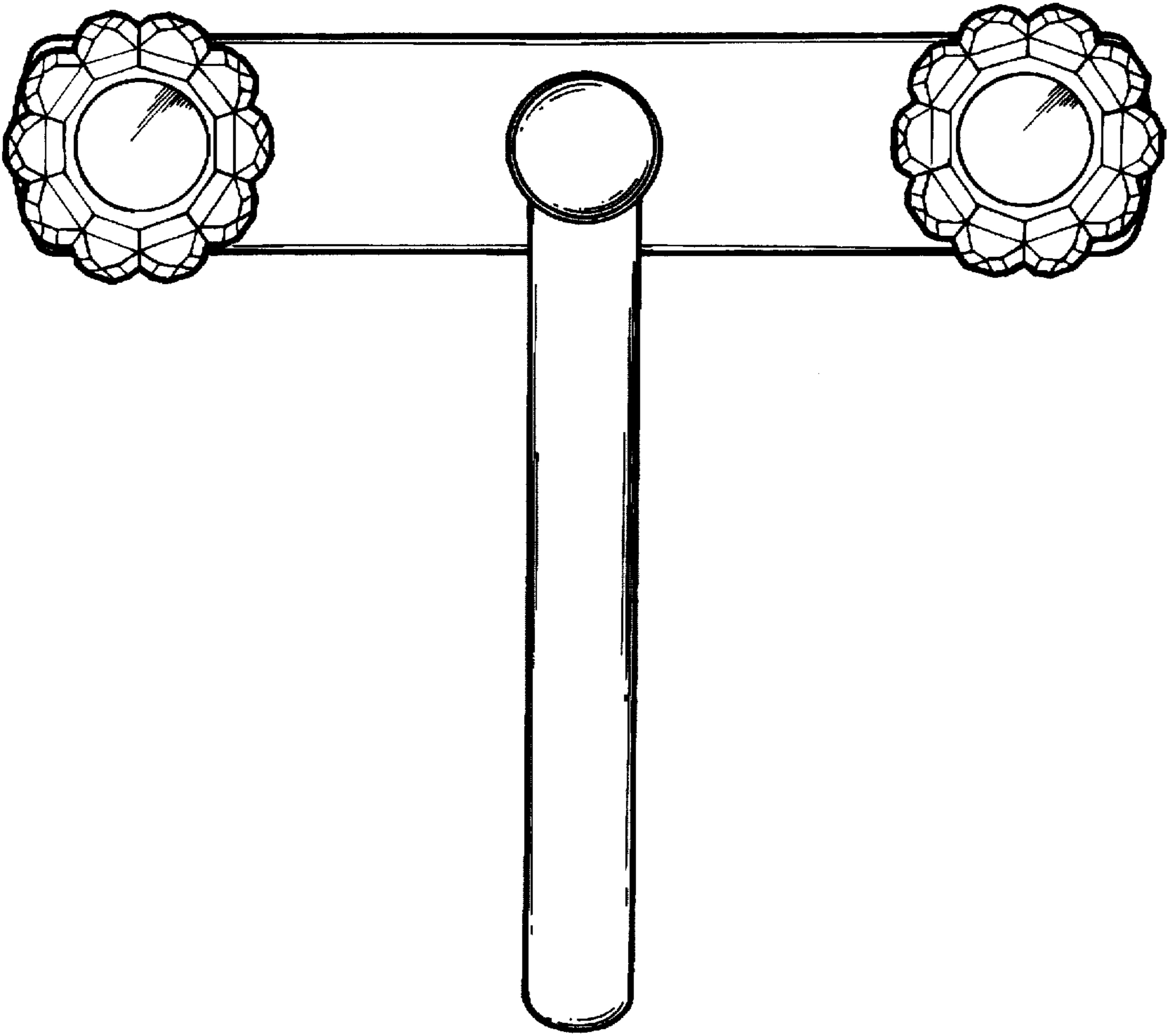


FIG. 6

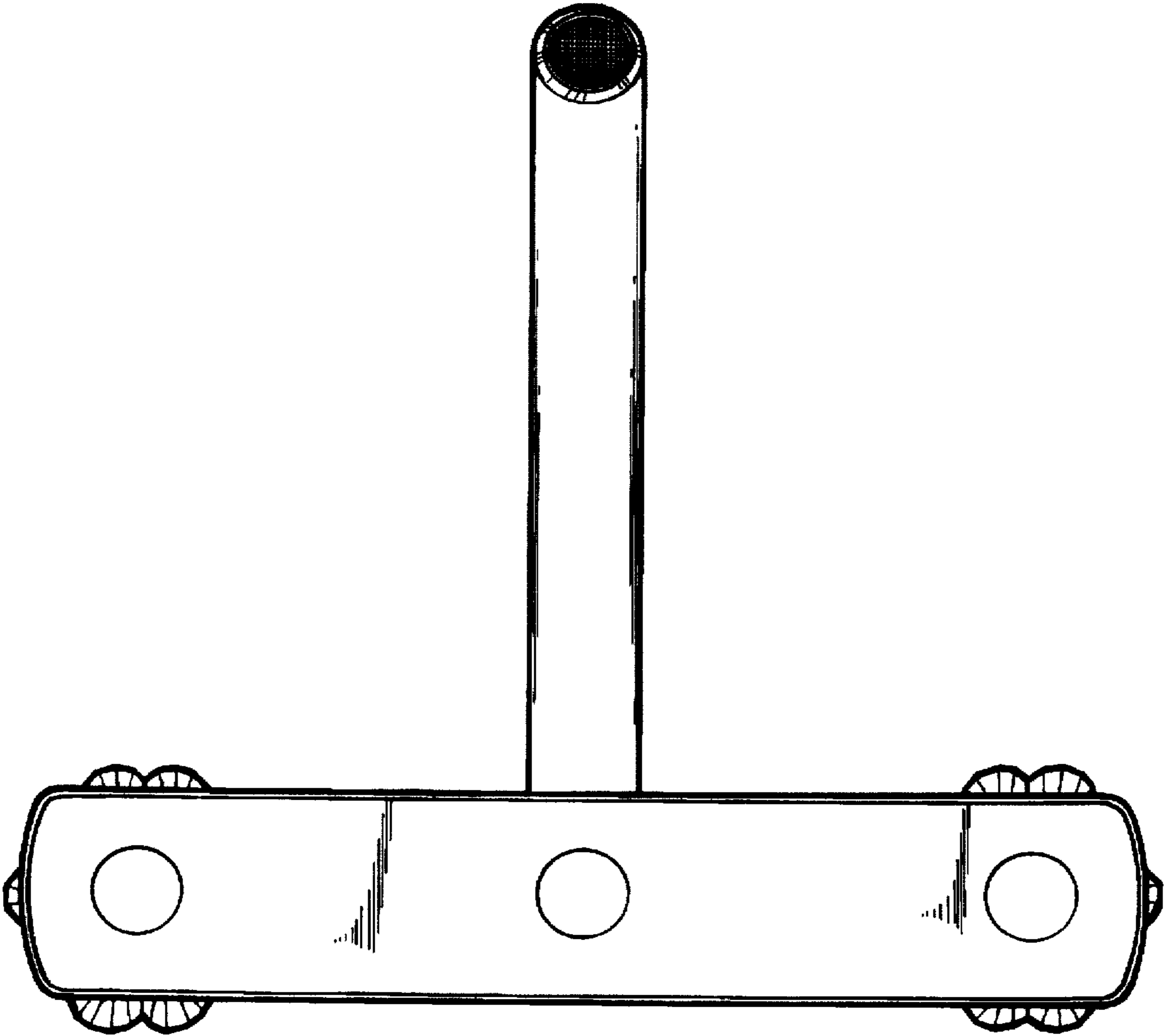


FIG. 7