



US00D390637S

**United States Patent** [19]  
**Ko**

[11] **Patent Number:** **Des. 390,637**  
[45] **Date of Patent:** **\*\*Feb. 10, 1998**

[54] **FAUCET BASE**  
[75] **Inventor:** **Hsi-Chia Ko**, Changhua Hsien, Taiwan  
[73] **Assignee:** **Chung Cheng Faucet Co., Ltd.**,  
Changhua Hsien, Taiwan  
[\*\*] **Term:** **14 Years**  
[21] **Appl. No.:** **69,777**  
[22] **Filed:** **Apr. 23, 1997**  
[51] **LOC (6) Cl.** ..... **23-01**  
[52] **U.S. Cl.** ..... **D23/241**  
[58] **Field of Search** ..... **D23/238-243,**  
**D23/250-257; 4/675-678; 137/801**

D. 347,466 5/1994 Kolada et al. .... D23/241  
D. 377,516 1/1997 Doughty et al. .... D23/241

*Primary Examiner*—Louis S. Zarfes  
*Assistant Examiner*—Eric Watterson  
*Attorney, Agent, or Firm*—Browdy and Neimark

[57] **CLAIM**

The ornamental design for "faucet base", as shown and described.

**DESCRIPTION**

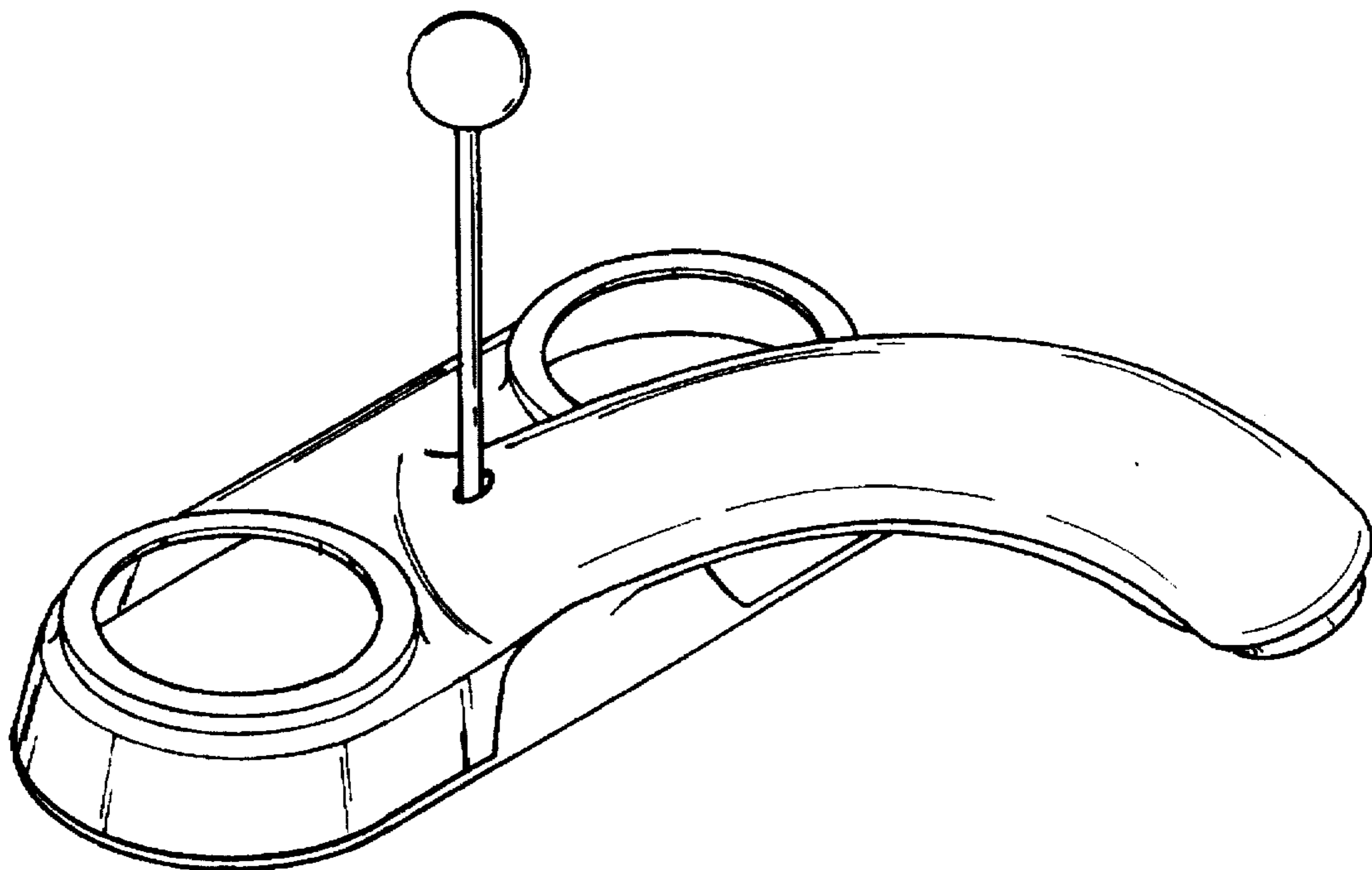
FIG. 1 is a perspective view of faucet base showing my new design;  
FIG. 2 is a front view thereof;  
FIG. 3 is a rear view thereof;  
FIG. 4 is a left side view thereof, the right side view is identical;  
FIG. 5 is top view thereof; and,  
FIG. 6 is a bottom view thereof.

[56] **References Cited**

**U.S. PATENT DOCUMENTS**

D. 295,661 5/1988 Kohler, Jr. et al. .... D23/241  
D. 299,518 1/1989 Yost ..... D23/241

**1 Claim, 3 Drawing Sheets**



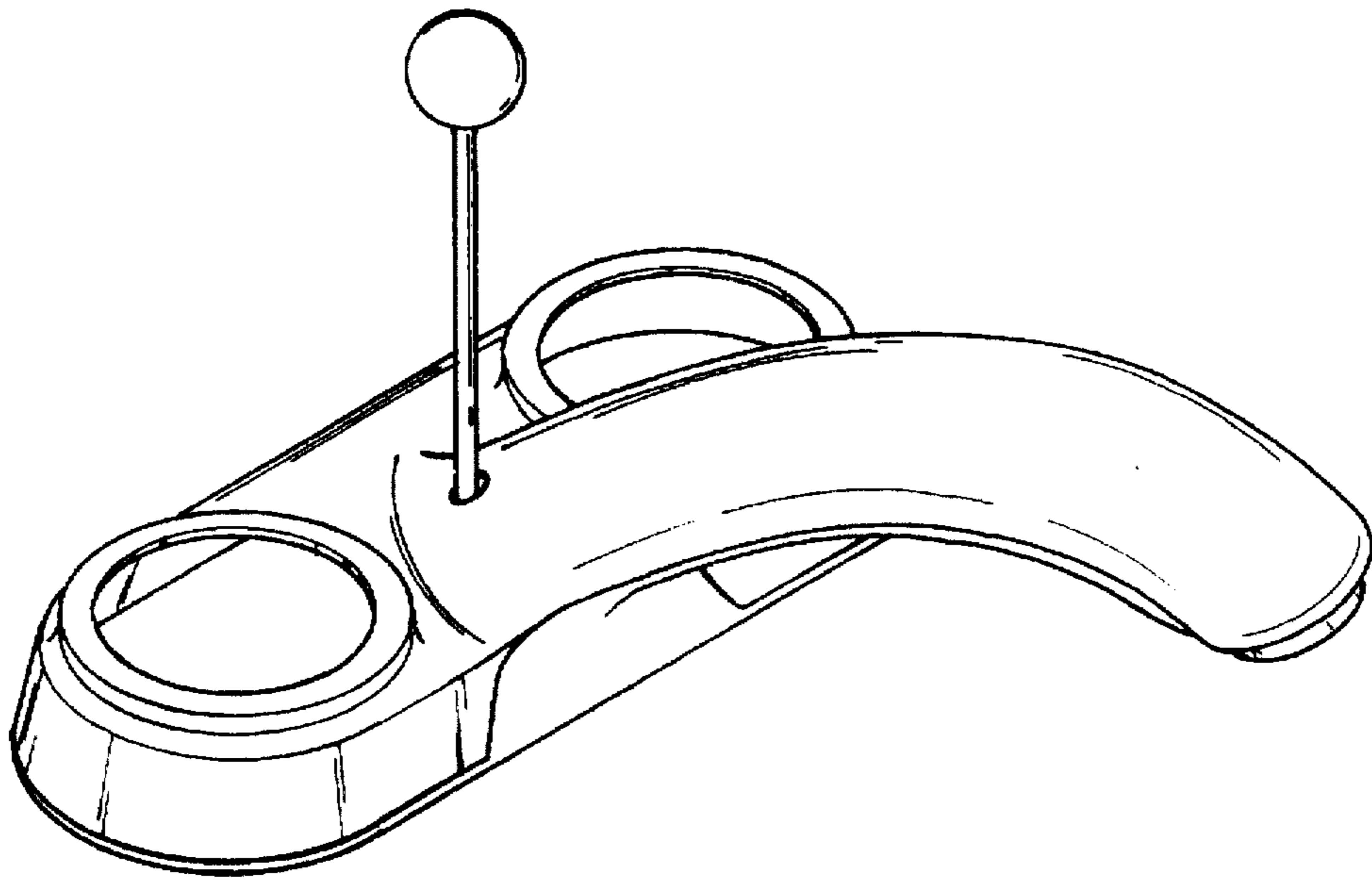


Fig.-1

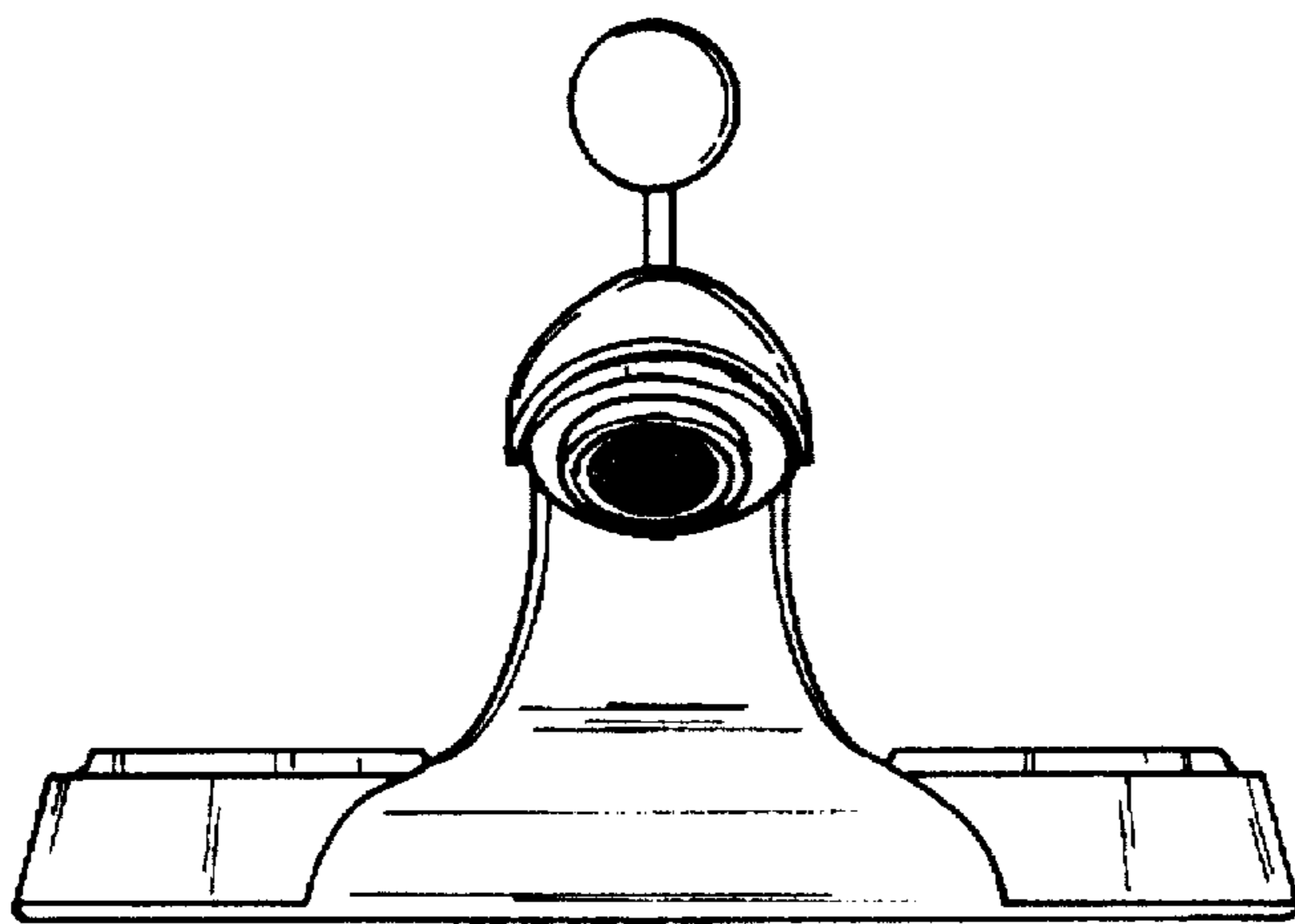
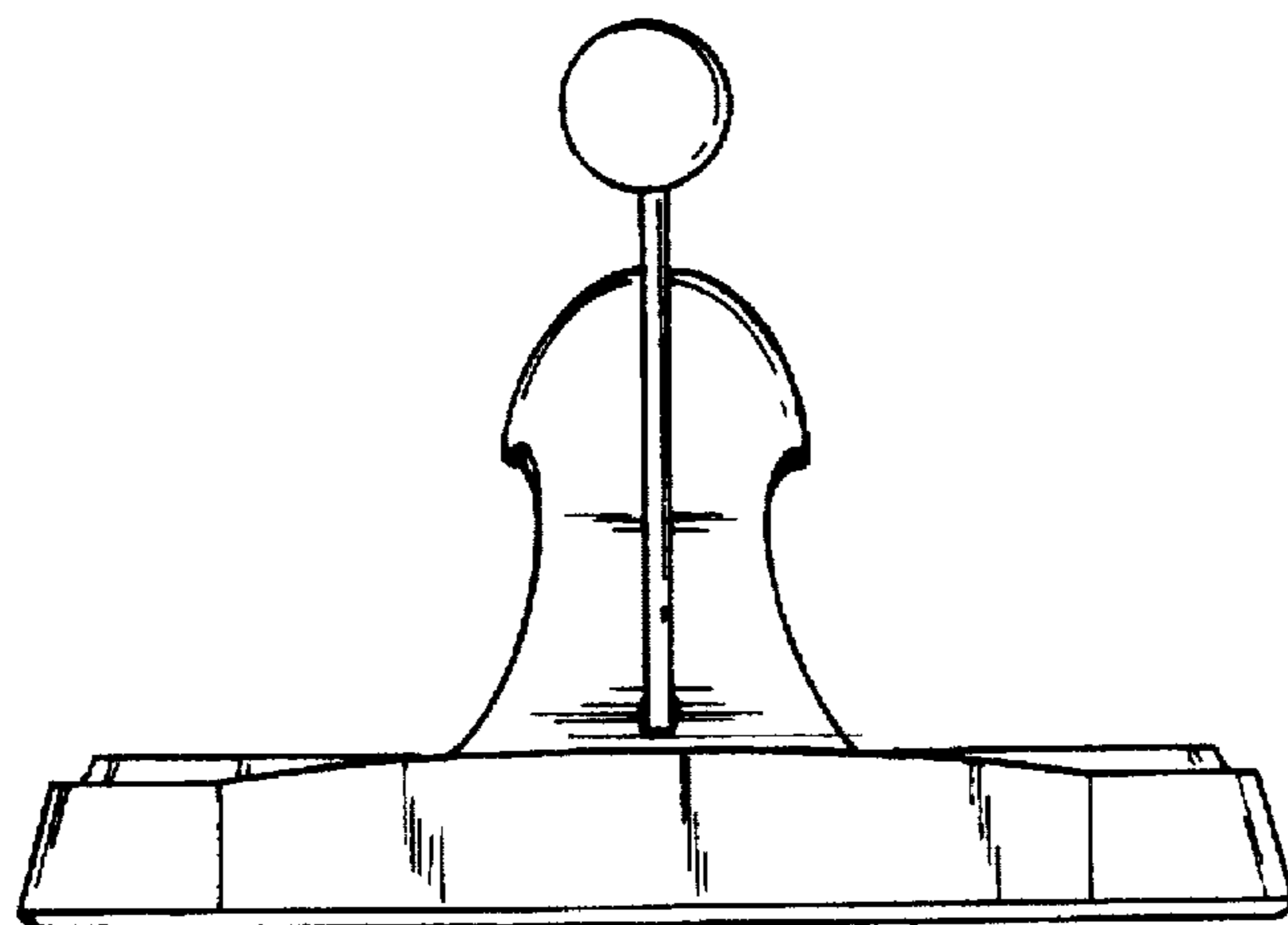
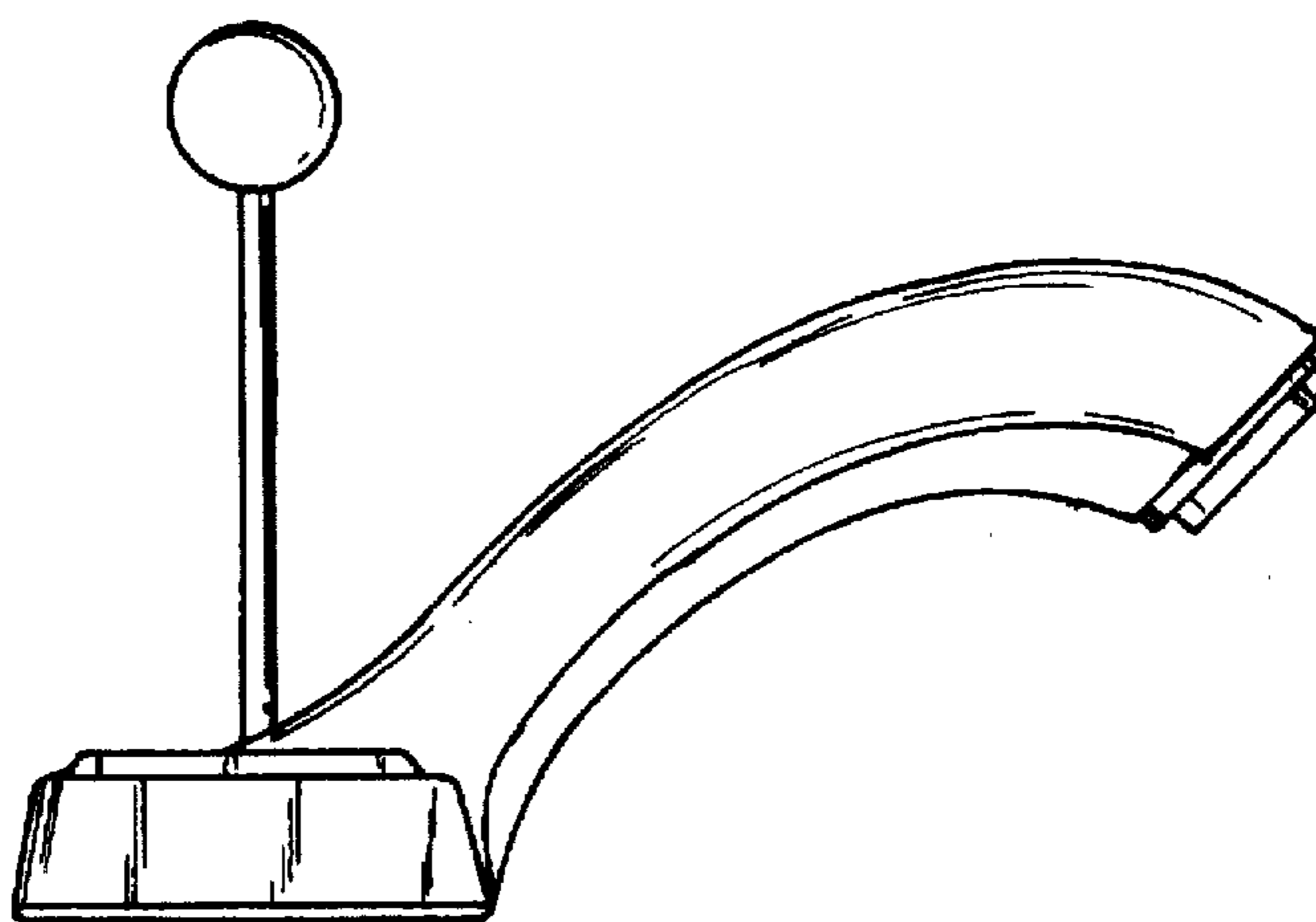


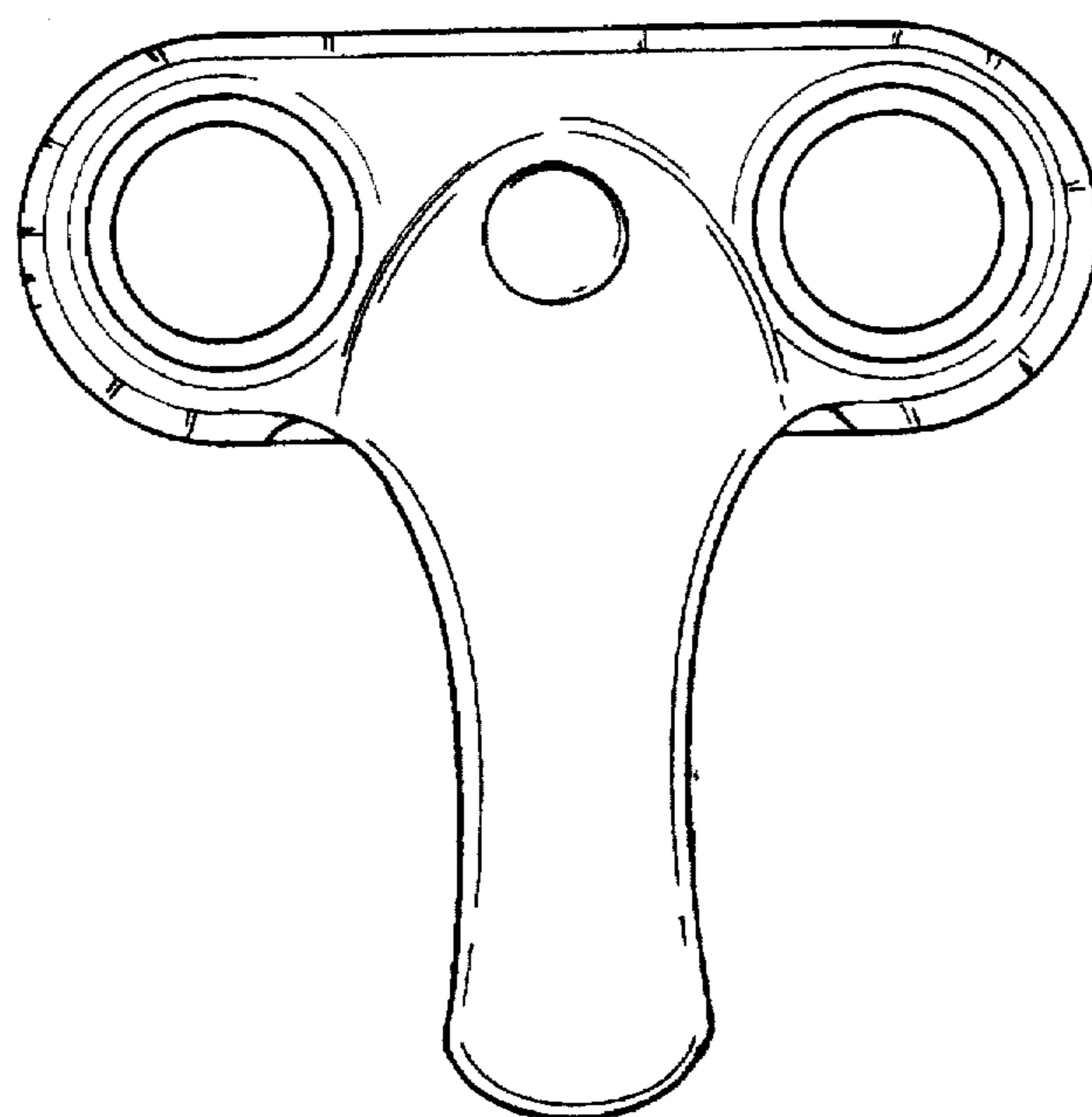
Fig.-2



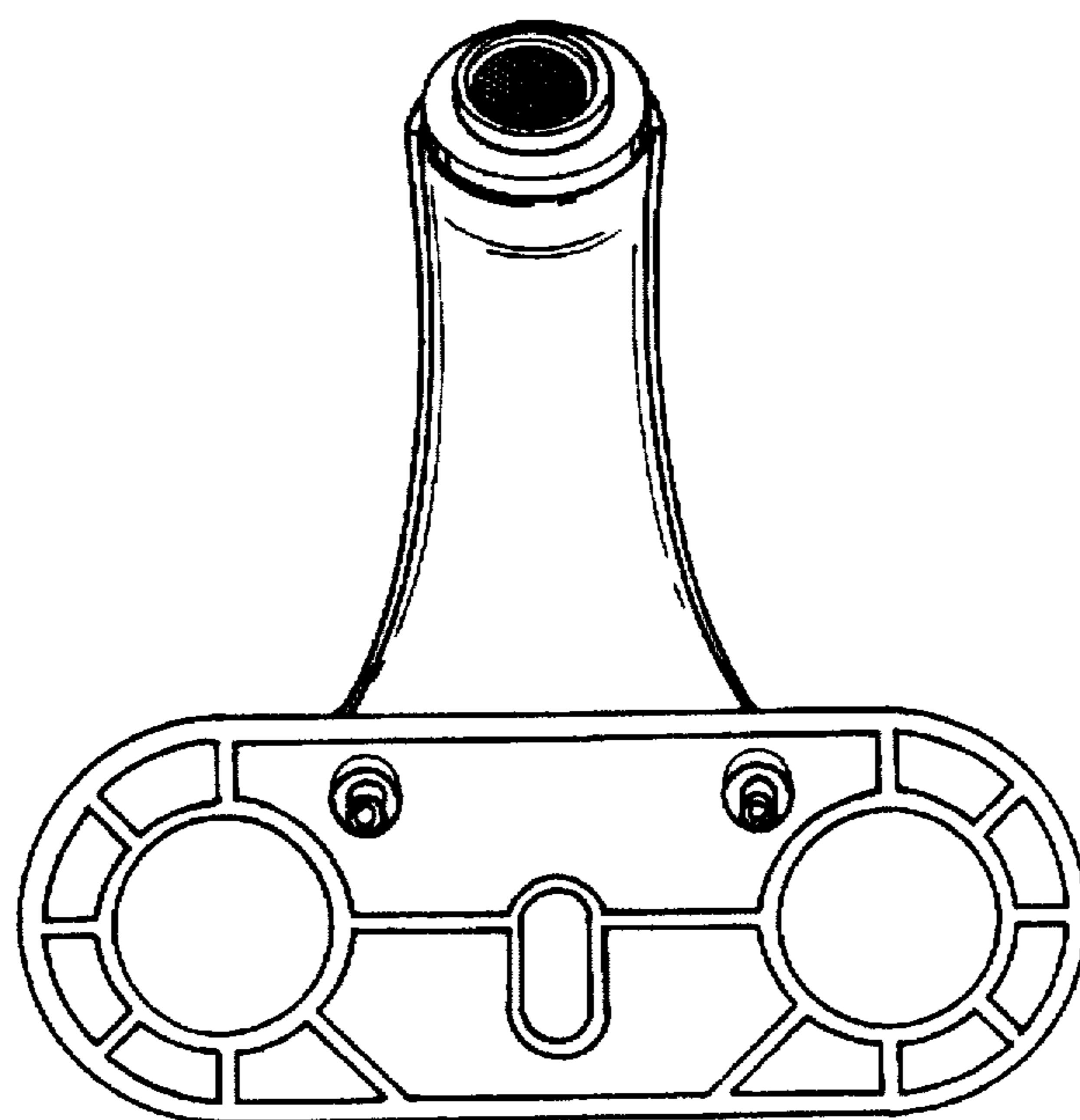
*Fig.-3*



*Fig.-4*



*Fig.-5*



*Fig.-6*