

US00D390636S

United States Patent [19]

[11] Patent Number: **Des. 390,636**

Hayashi et al.

[45] Date of Patent: *****Feb. 10, 1998**

[54] ELECTROMAGNETIC VALVE

5,459,953 10/1995 Fukano et al. 137/625.64
5,462,087 10/1995 Fukano et al. 137/625.64 X

[75] Inventors: **Bunya Hayashi; Shinji Miyazoe;**
Makoto Ishikawa, all of Yawara-mura,
Japan

FOREIGN PATENT DOCUMENTS

203780 8/1989 Japan 137/884
6300158 10/1994 Japan 137/884

[73] Assignee: **SMC Corporation,** Tokyo, Japan

Primary Examiner—Ted Shooman
Assistant Examiner—C. Tuttle
Attorney, Agent, or Firm—Oblon, Spivak, McClelland,
Maier & Neustadt, P.C.

[*] Notice: The portion of the term of this patent
subsequent to Dec. 30, 2011, has been
disclaimed.

[**] Term: **14 Years**

[57] CLAIM

The ornamental design for electromagnetic valve, as shown
and described.

[21] Appl. No.: **50,180**

[22] Filed: **Feb. 9, 1996**

DESCRIPTION

[30] Foreign Application Priority Data

Aug. 11, 1995 [JP] Japan 7-23577

FIG. 1 is a top, front, and left side perspective view of an
electromagnetic valve, showing our new design;
FIG. 2 is a top, rear and right side perspective view thereof;
FIG. 3 is a front elevational view thereof;
FIG. 4 is a rear elevational view thereof;
FIG. 5 is a left side elevational view thereof;
FIG. 6 is a right side elevational view thereof;
FIG. 7 is a top plan view thereof;
FIG. 8 is a top, rear and right side perspective view of a
second embodiment of our design, the undisclosed sides
being identical to the first disclosed embodiment except for
the upward orientation of the lead wire connector;
FIG. 9 is a top plan view thereof; and,
FIG. 10 is a right side elevational view thereof.
The undisclosed bottom surface forms no part of the claimed
design.

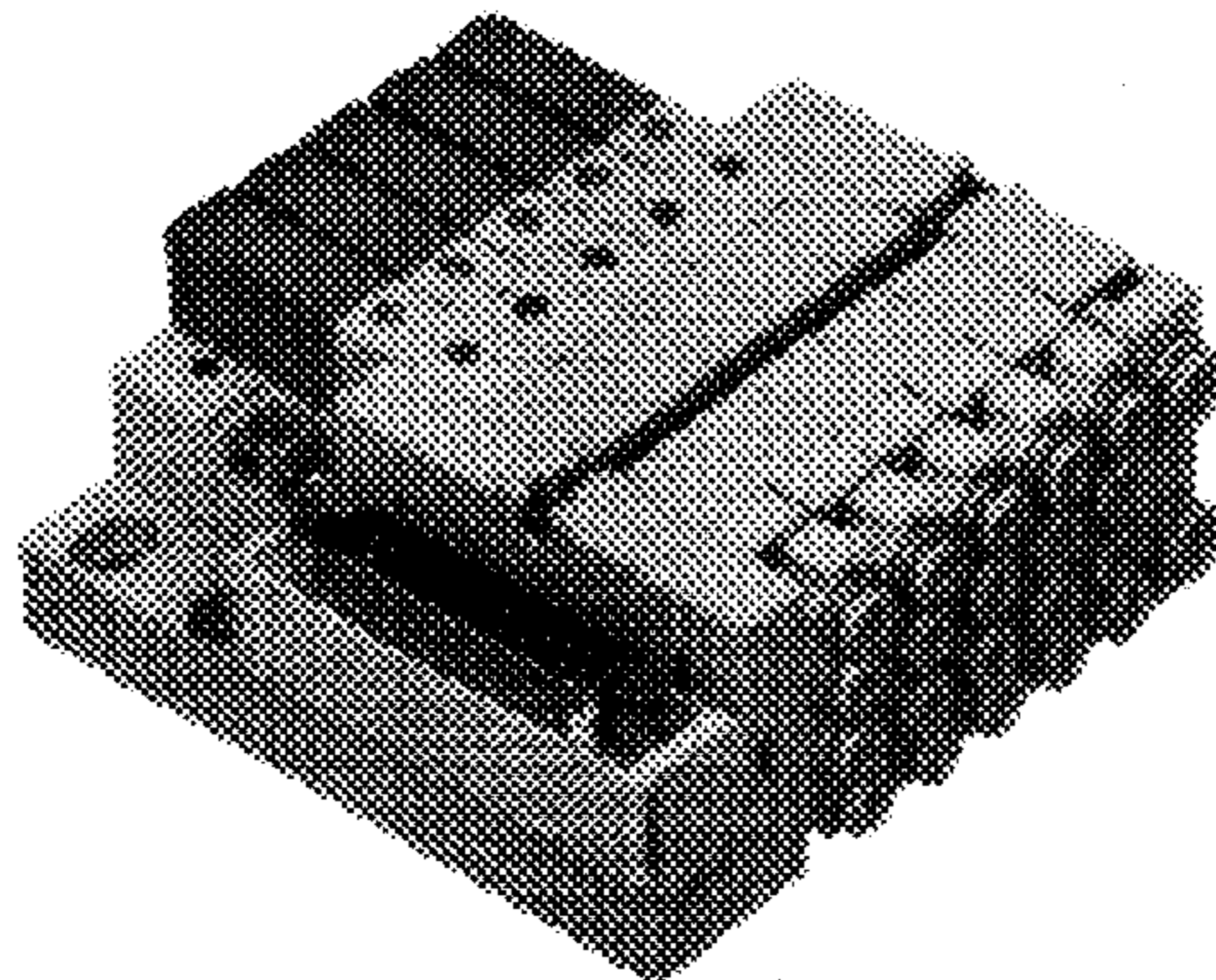
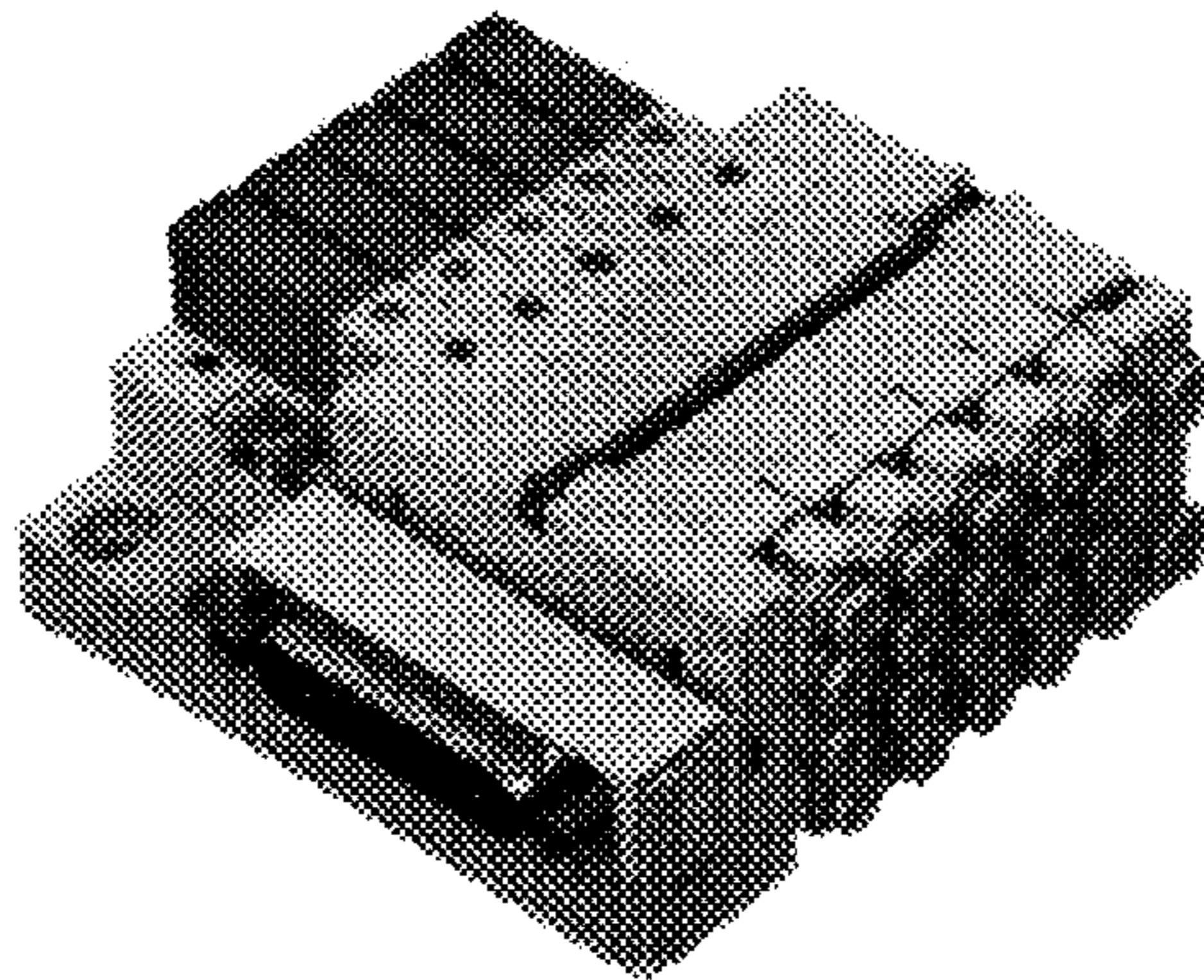
[51] LOC (6) Cl. **23-01**
[52] U.S. Cl. **D23/233**
[58] Field of Search D23/233, 247,
D23/248; 137/884, 269; 251/624.64, 624.69

[56] References Cited

U.S. PATENT DOCUMENTS

D. 223,095 3/1972 Allen D23/233
D. 338,516 8/1993 Tamaki D23/248
4,649,957 3/1987 Quinn 137/625.64
4,726,393 2/1988 Herner 137/269
5,333,647 8/1994 Fukano et al. 137/884
5,447,176 9/1995 Asou et al. 137/884 X

1 Claim, 5 Drawing Sheets



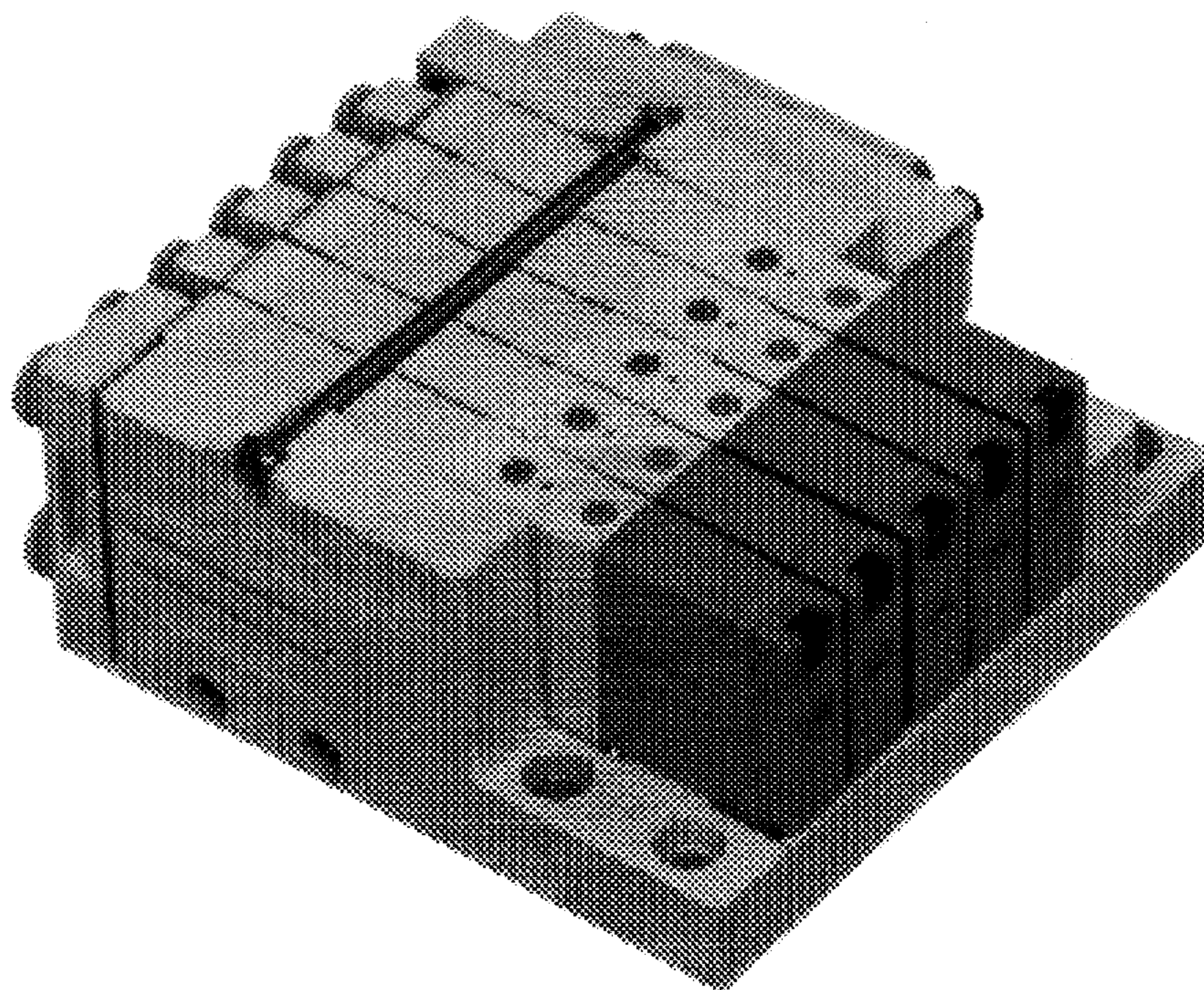


FIG. 1

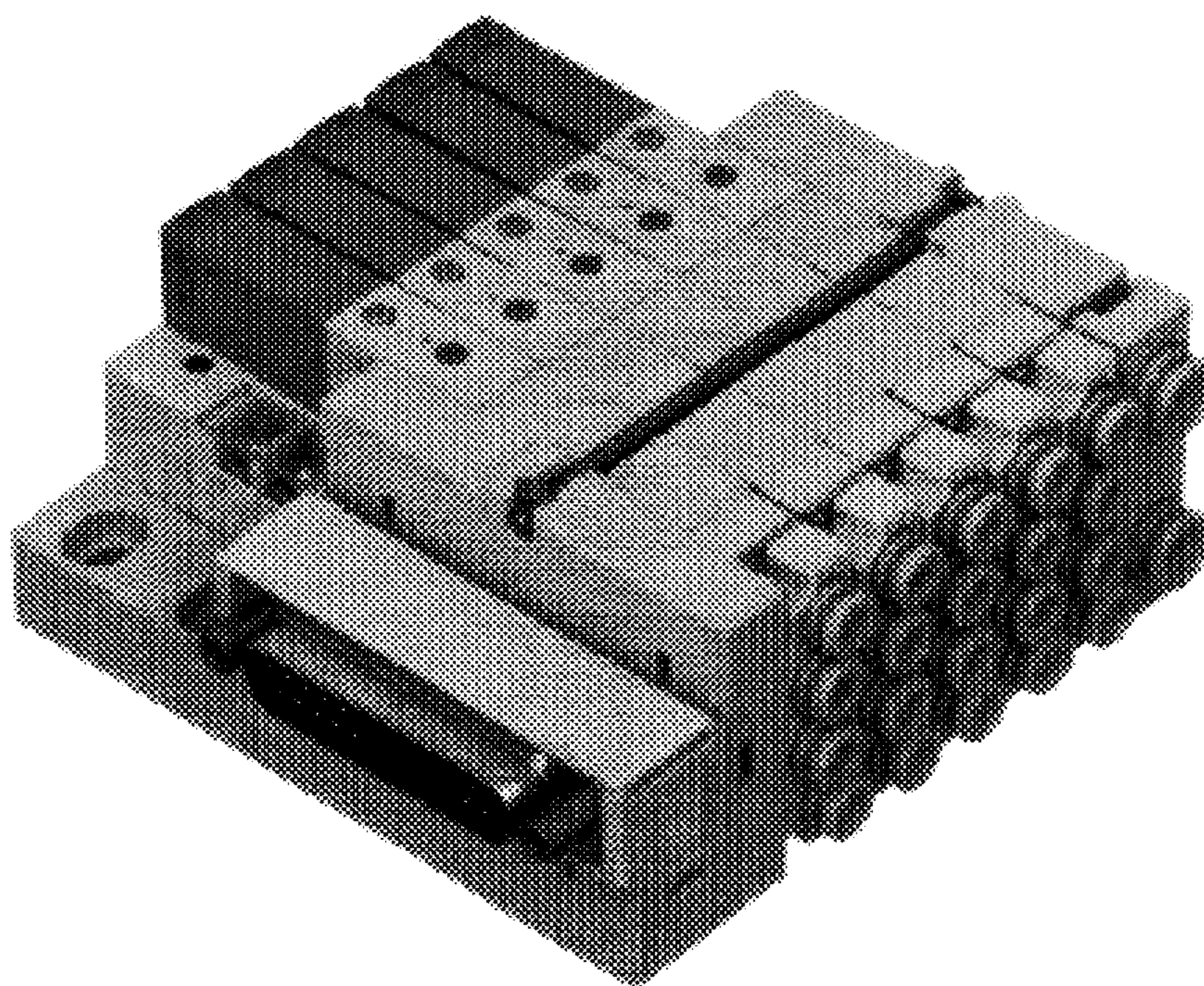


FIG. 2

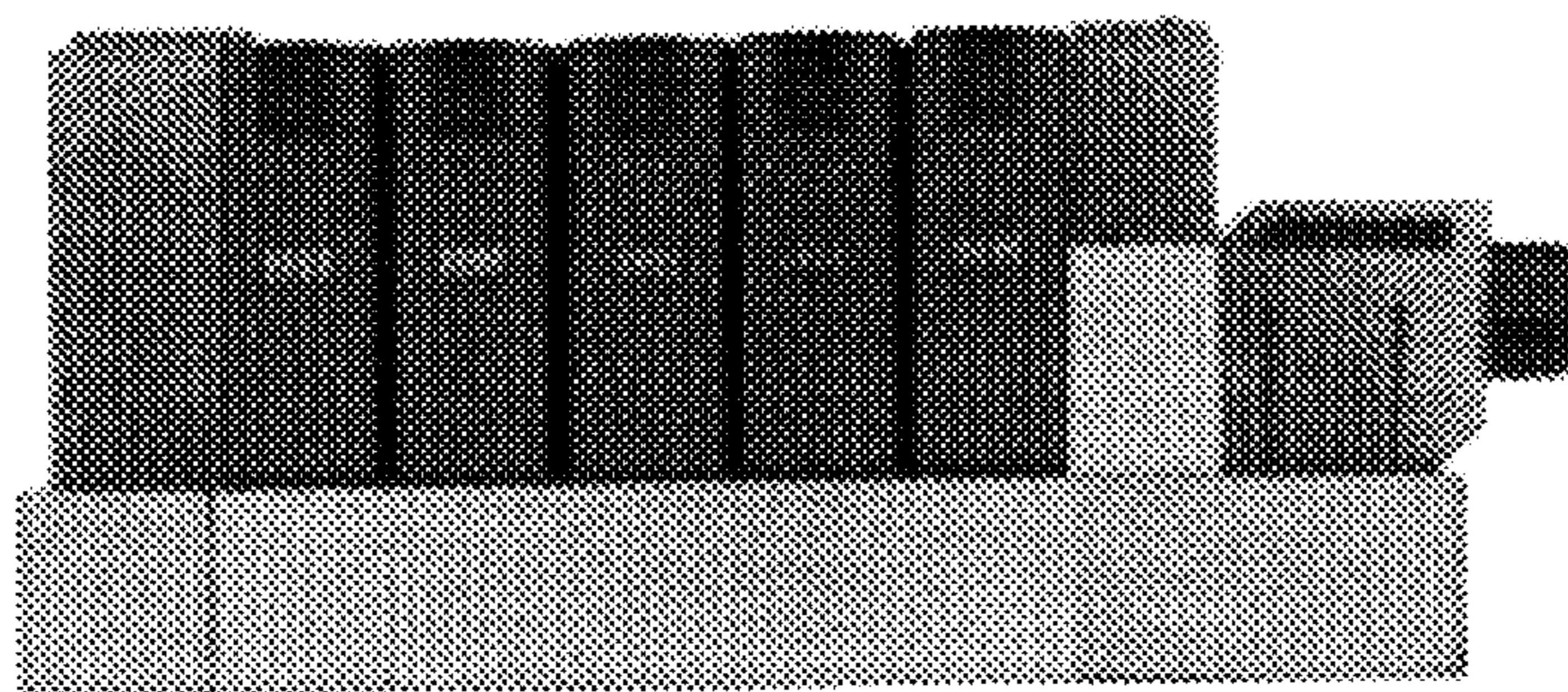


FIG. 3

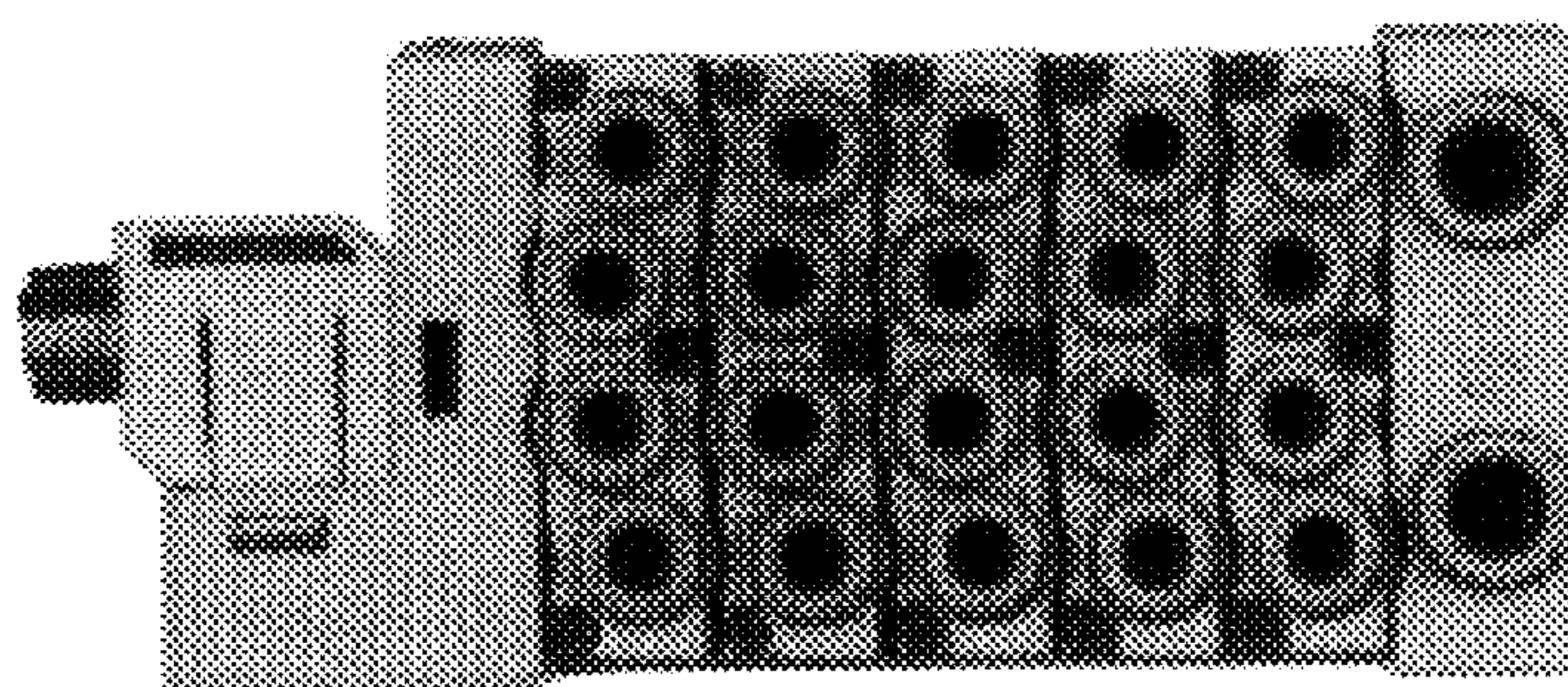


FIG. 4

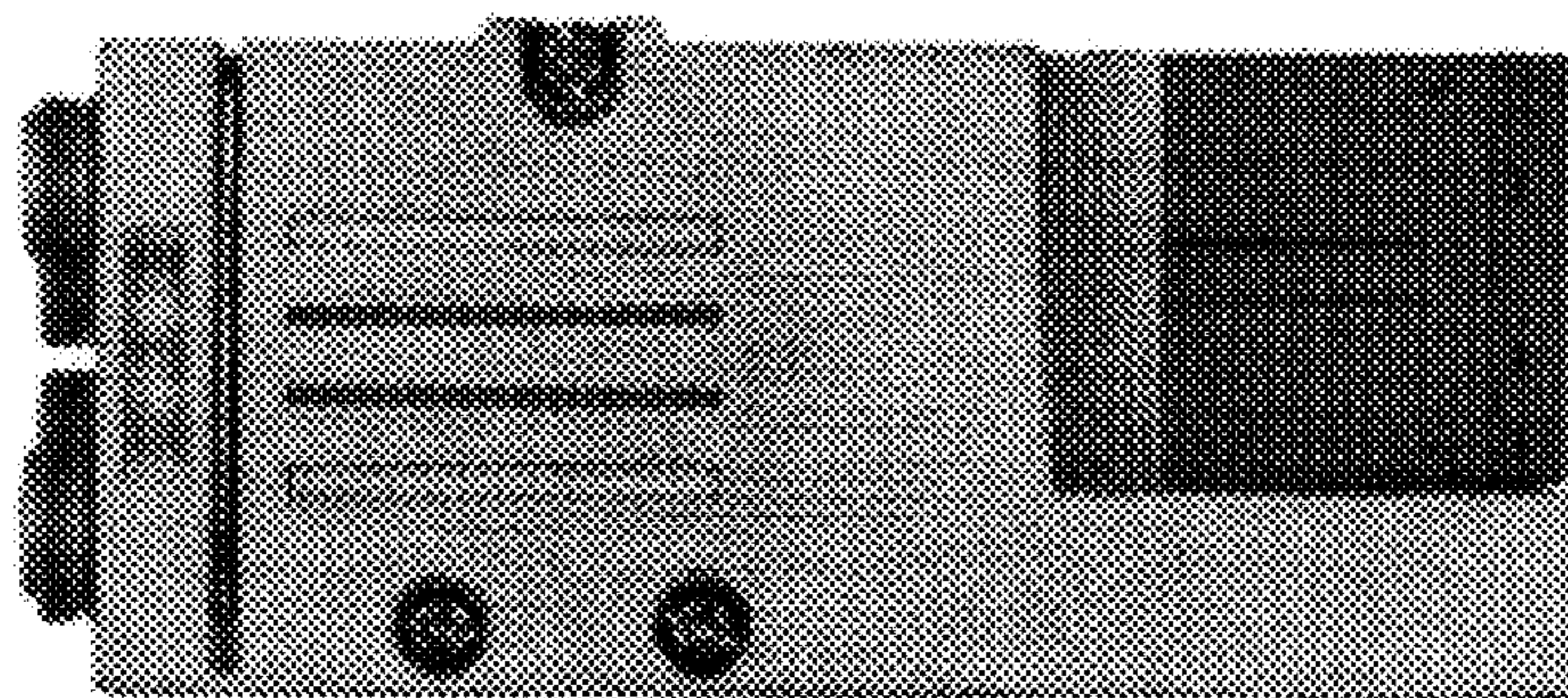


FIG. 5

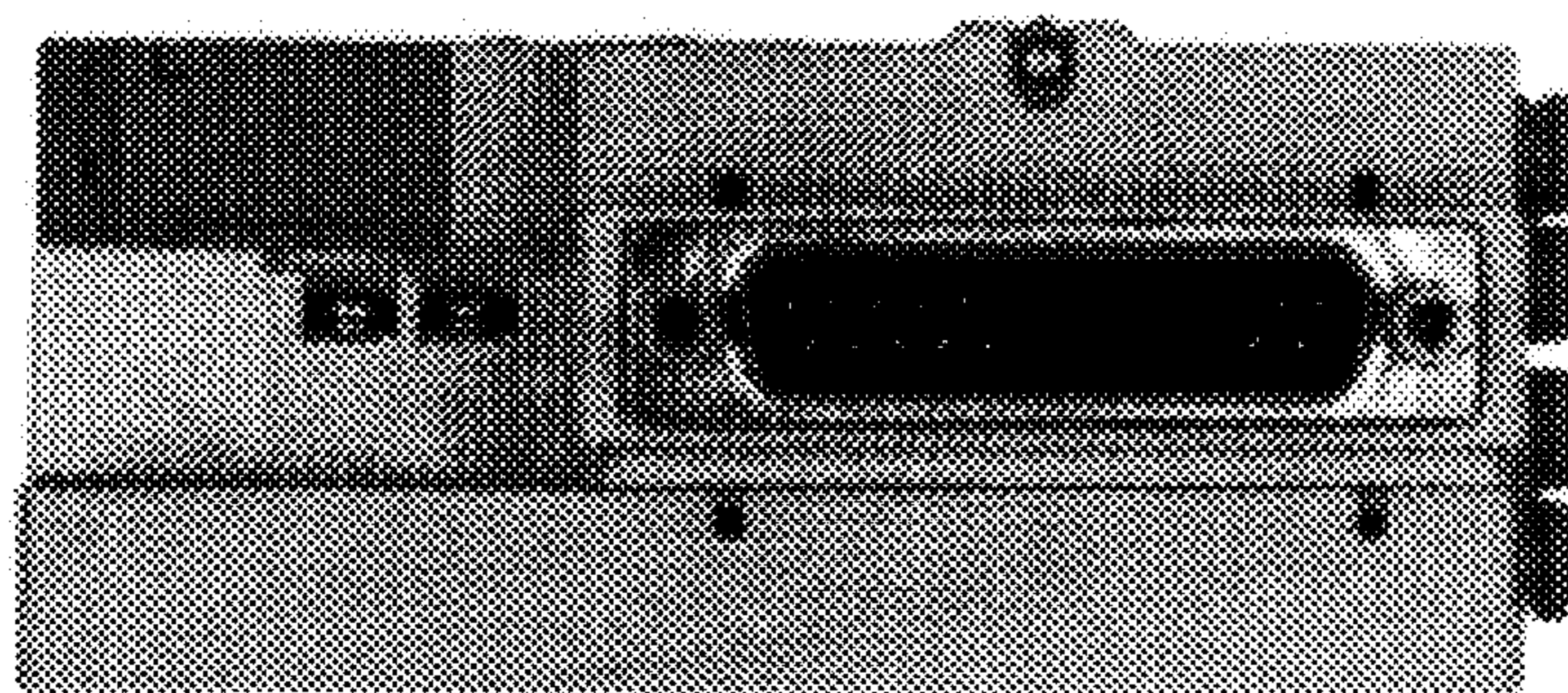


FIG. 6

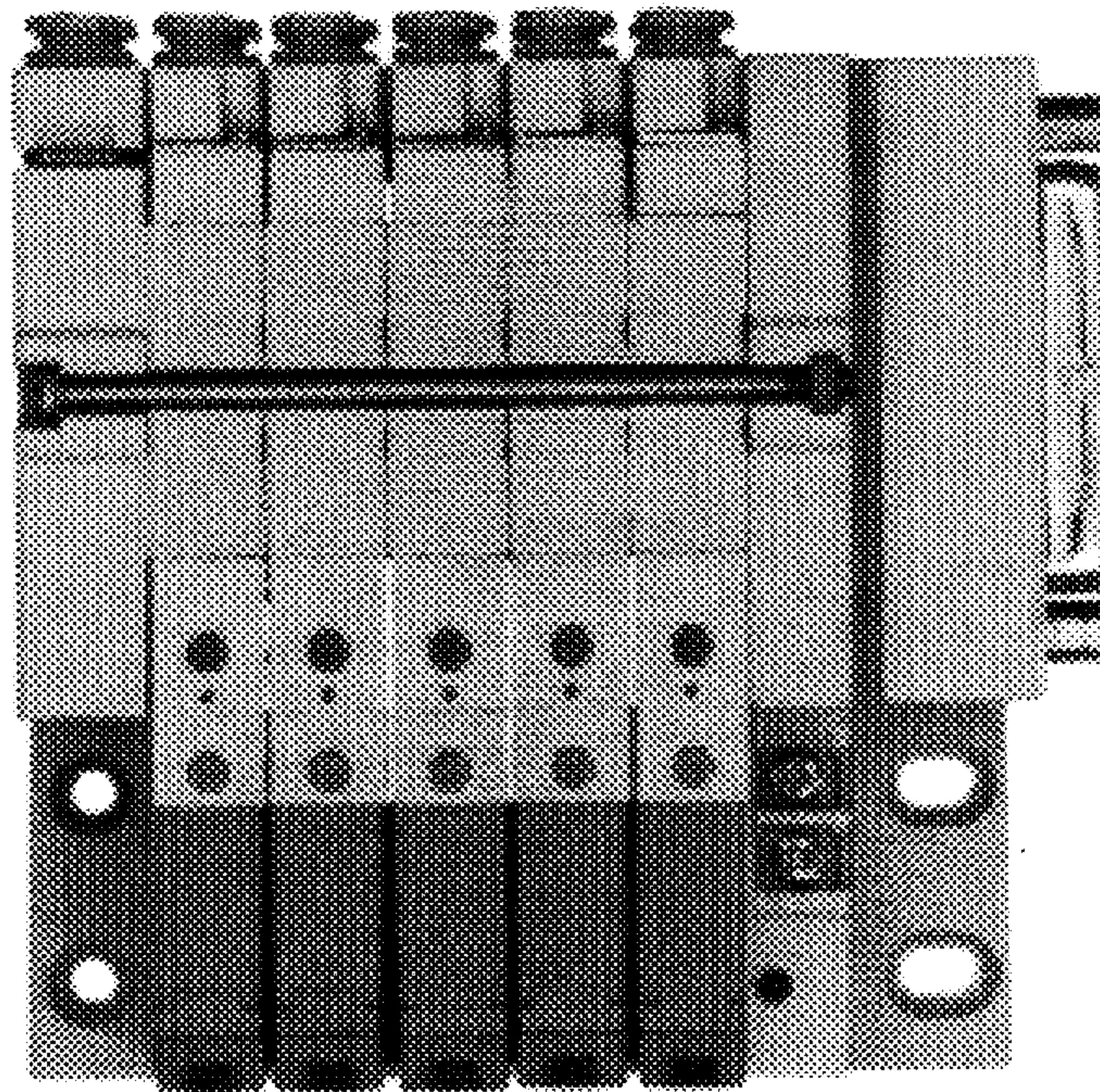


FIG. 7

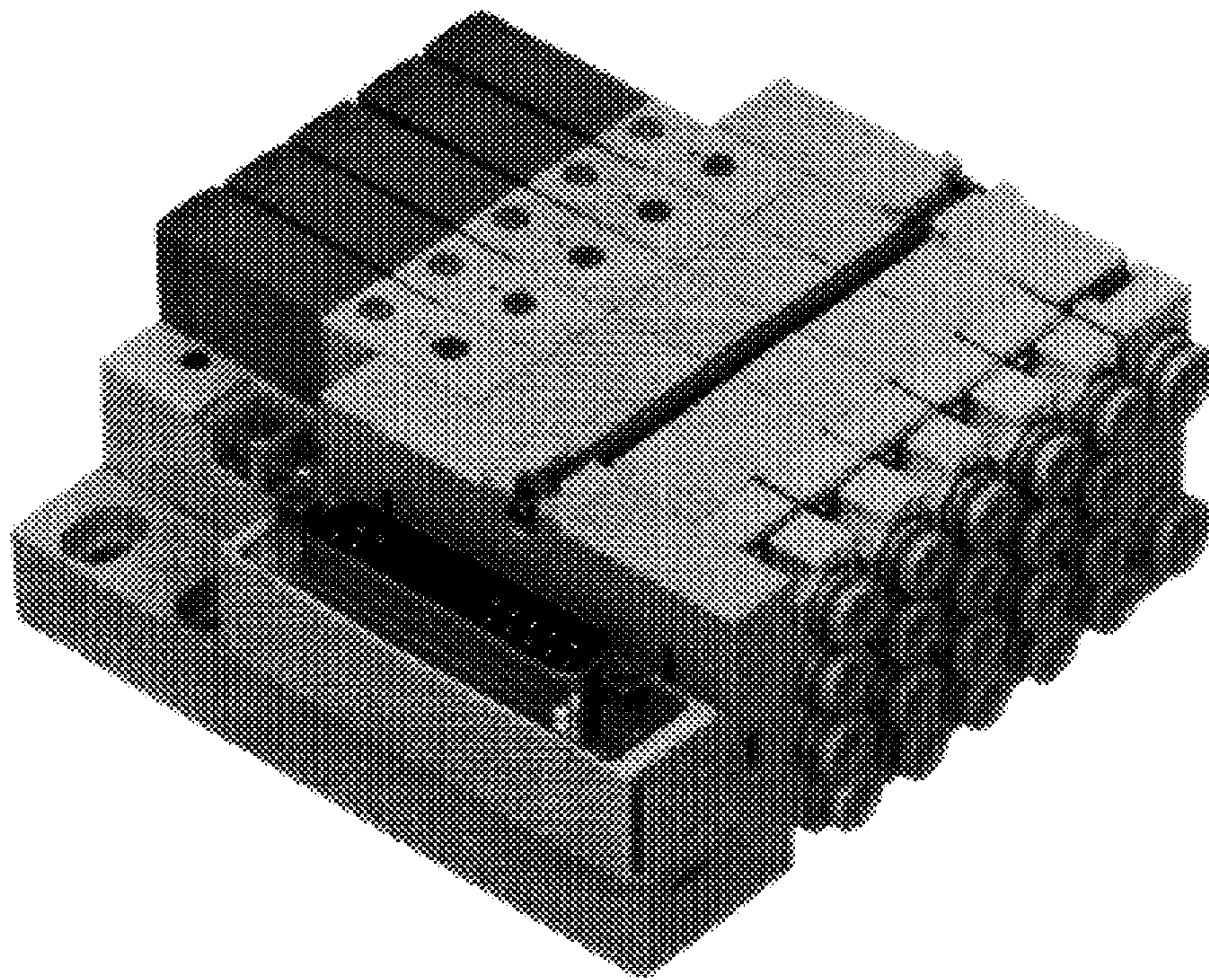


FIG. 8

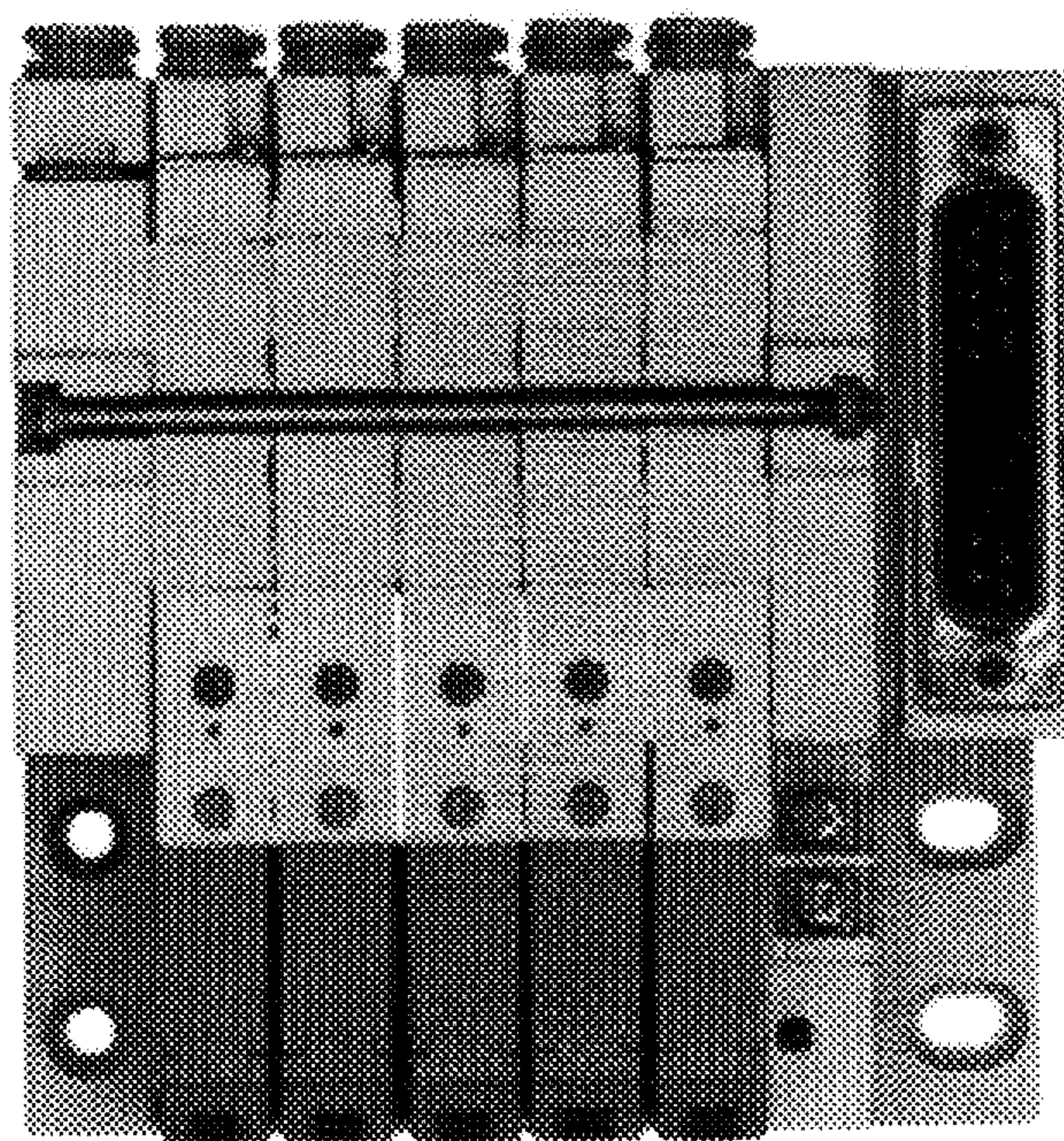


FIG. 9

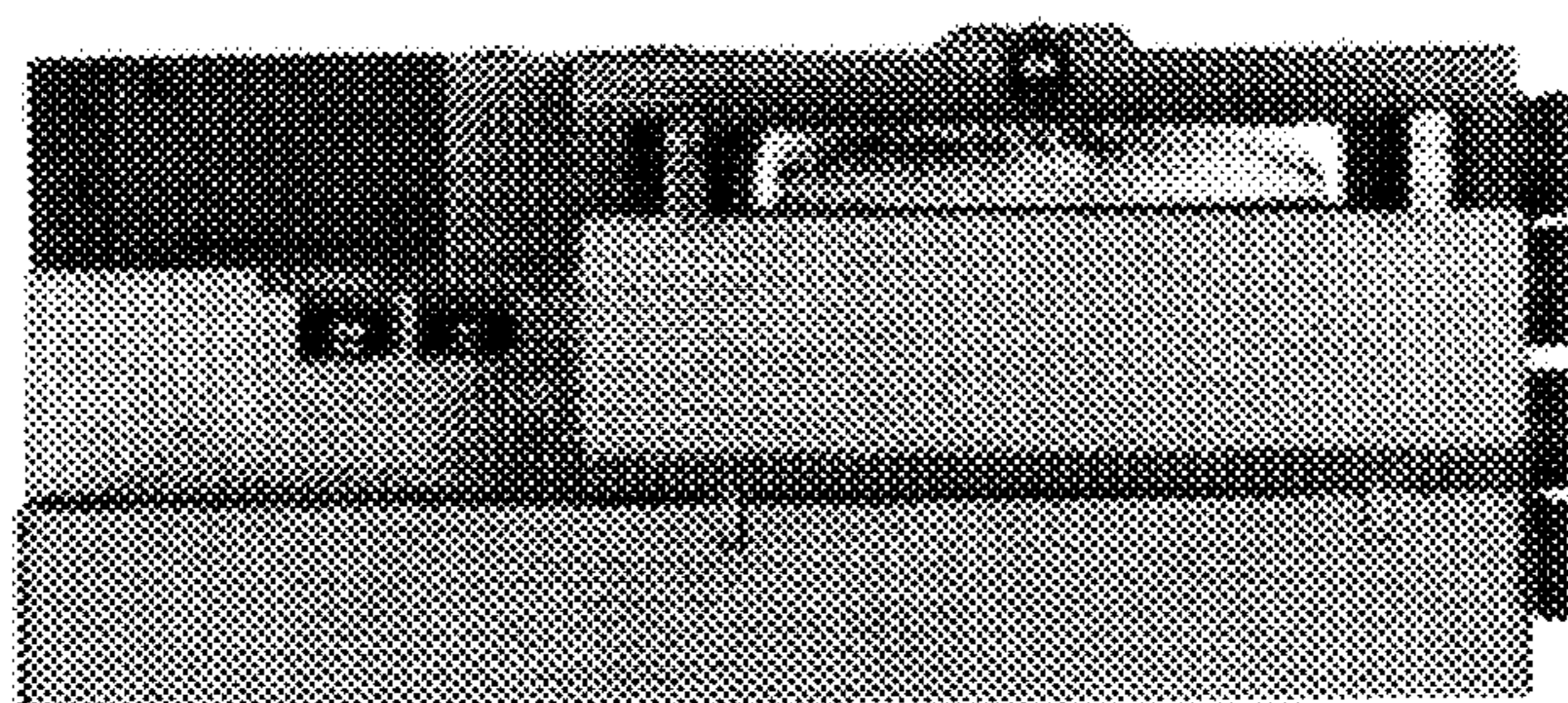


FIG. 10