



US00D390635S

United States Patent [19] Guo

[11] Patent Number: **Des. 390,635**
[45] Date of Patent: ****Feb. 10, 1998**

[54] **SPRAY GUN**

D. 373,814 9/1996 Wang D23/223
5,348,228 9/1994 Wang 239/526

[76] Inventor: **Wen-Li Guo**, No. 10, Fang Dong Road,
Wen Gin Tsuen, Fang Yuan Hsiang,
Chang Hua Hsien, Taiwan

Primary Examiner—Kay H. Chin
Assistant Examiner—Robin V. Taylor
Attorney, Agent, or Firm—Charles E. Baxley, Esq.

[**] Term: **14 Years**

[57] **CLAIM**

[21] Appl. No.: **67,241**

The ornamental design for a spray gun, as shown and described.

[22] Filed: **Feb. 7, 1997**

DESCRIPTION

[51] LOC (6) Cl. **23-01**

FIG. 1 is a perspective view of a spray gun showing my new design;

[52] U.S. Cl. **D23/226; D23/223**

FIG. 2 is a front elevational view thereof, the opposite end being identical in appearance;

[58] Field of Search **D23/213, 223-230; 239/394, 276, 525-528**

FIG. 3 is a top plan view thereof;

FIG. 4 is a bottom plan view thereof;

FIG. 5 is a left side elevational view thereof; and,

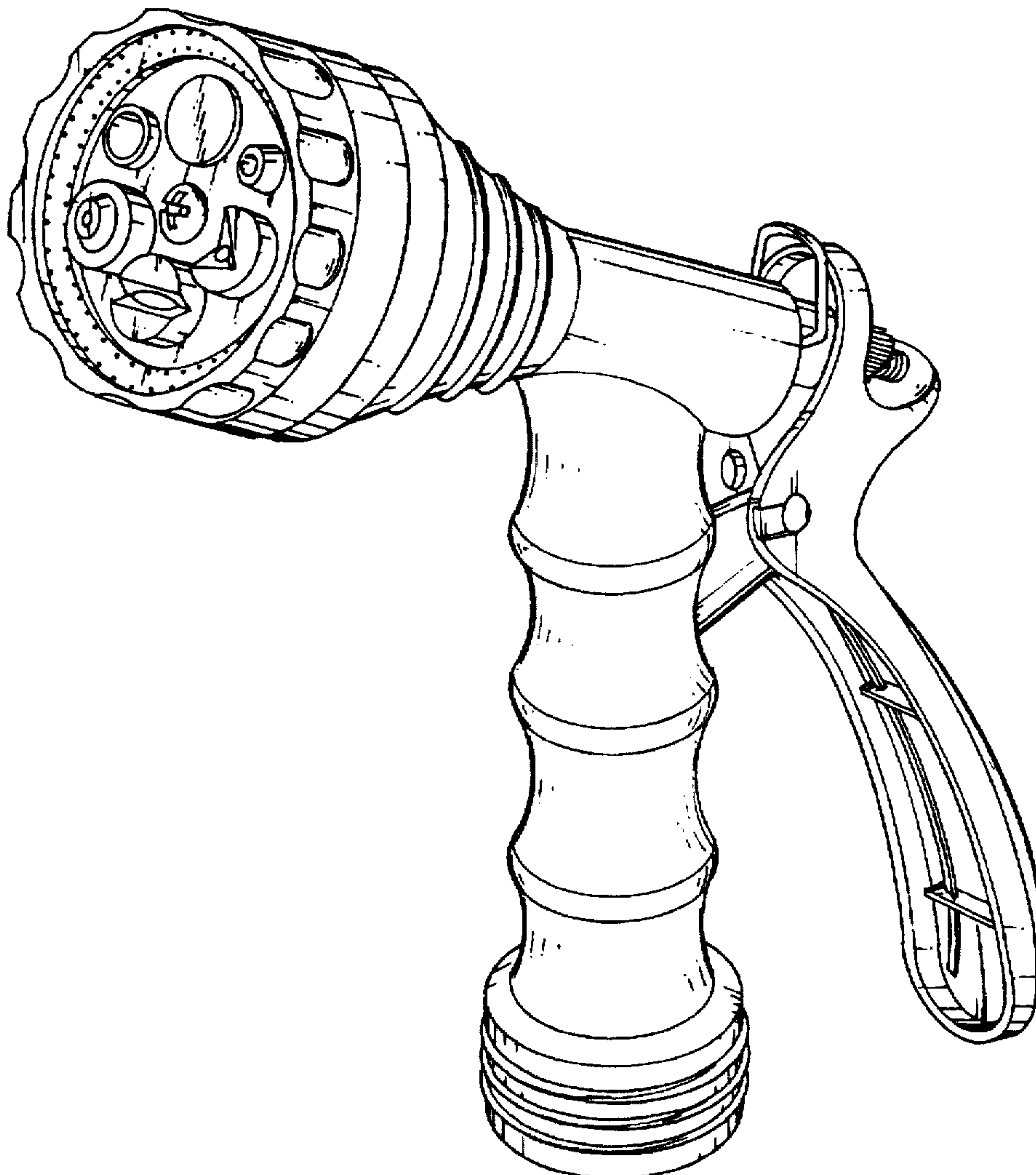
FIG. 6 is a right side elevational view thereof.

[56] References Cited

U.S. PATENT DOCUMENTS

D. 356,144 3/1995 Wang D23/223
D. 357,973 5/1995 McCain D23/223

1 Claim, 4 Drawing Sheets



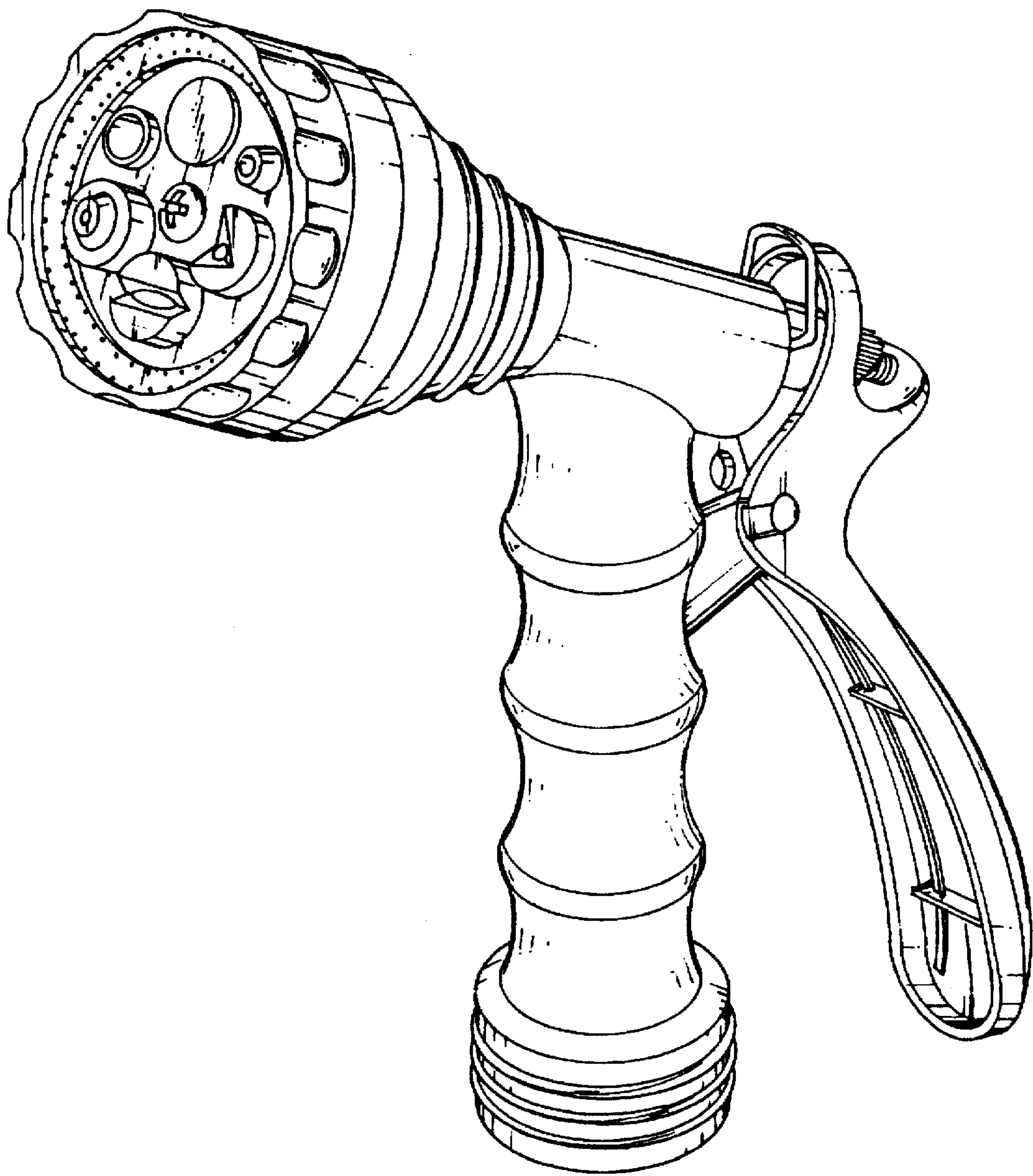


FIG. 1

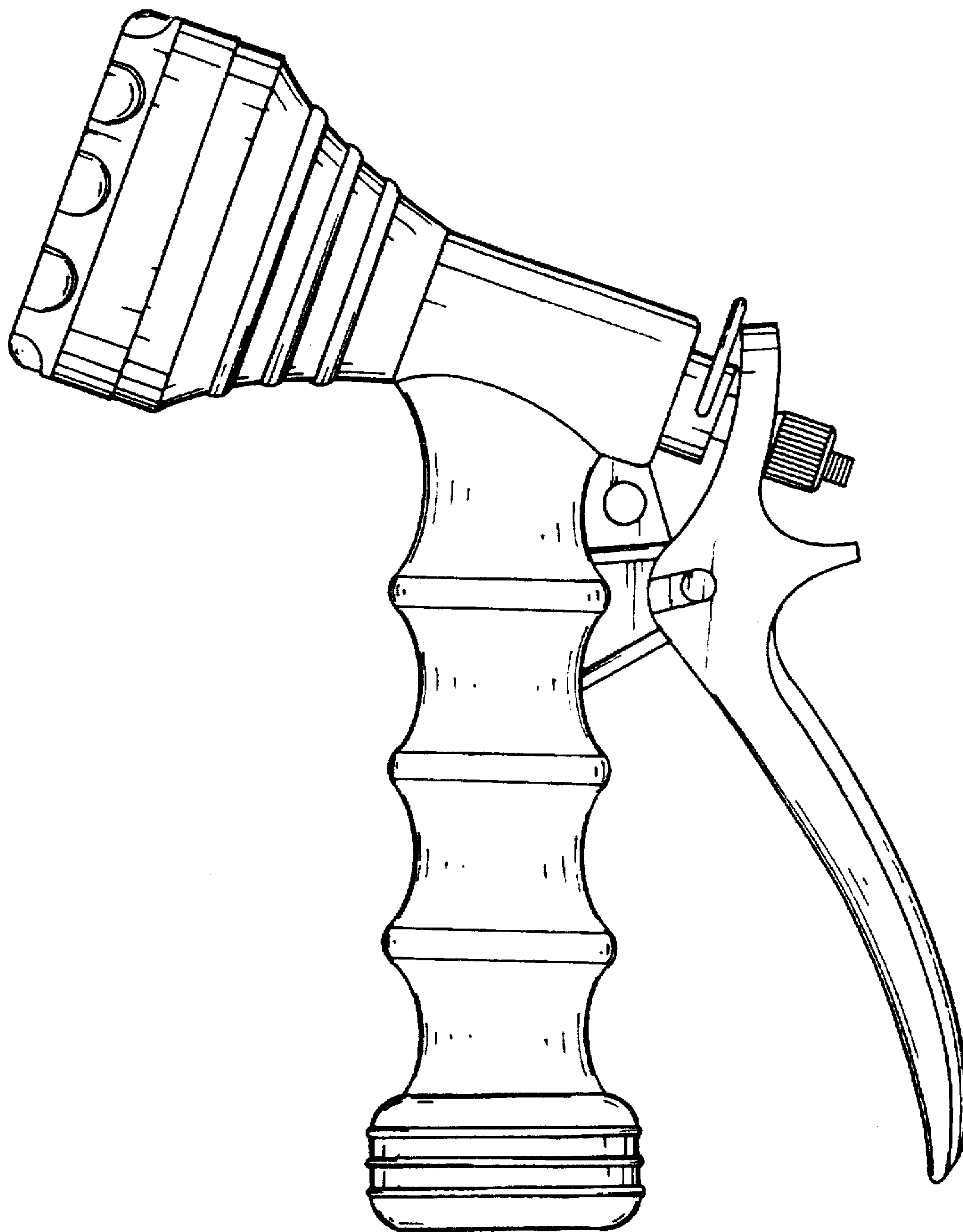


FIG. 2

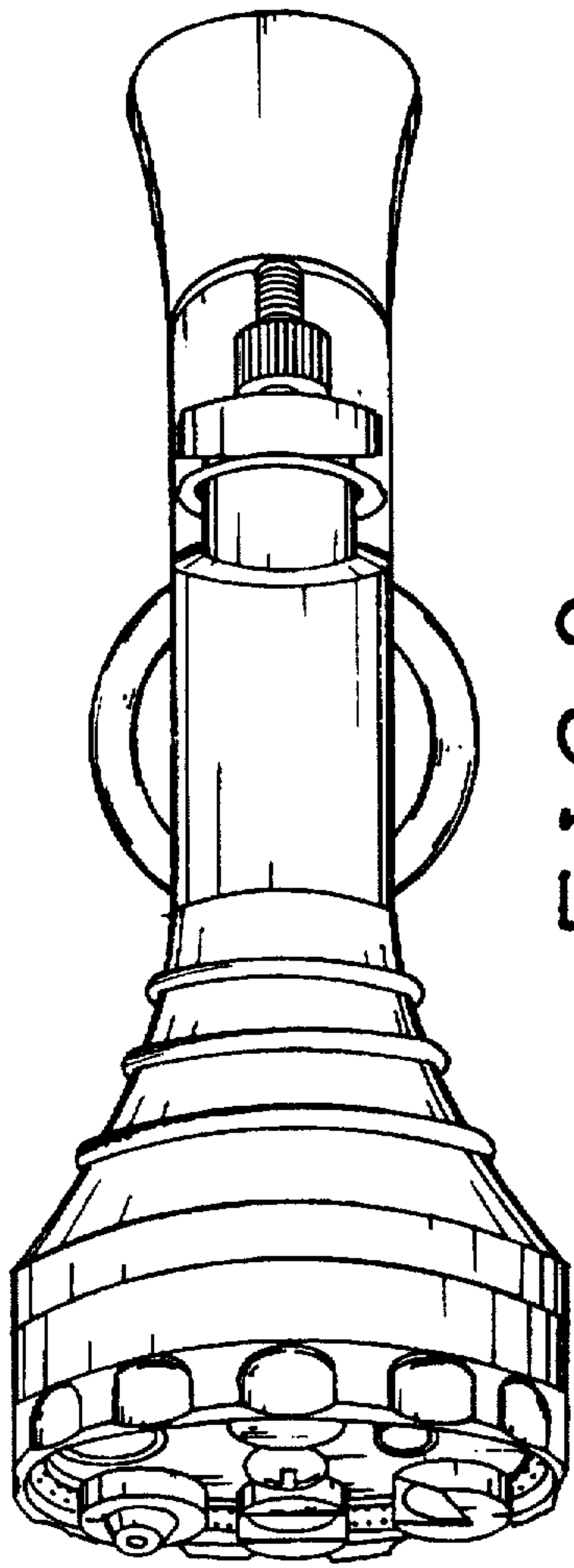


FIG. 3

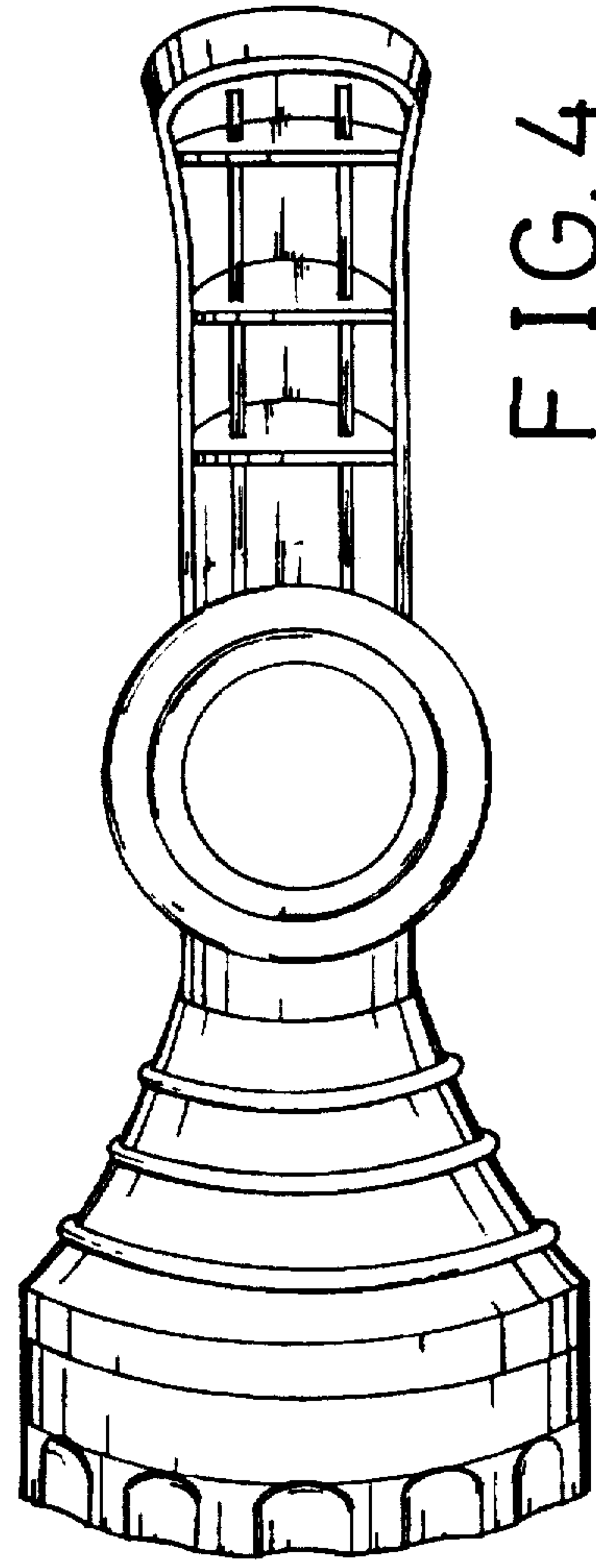


FIG. 4

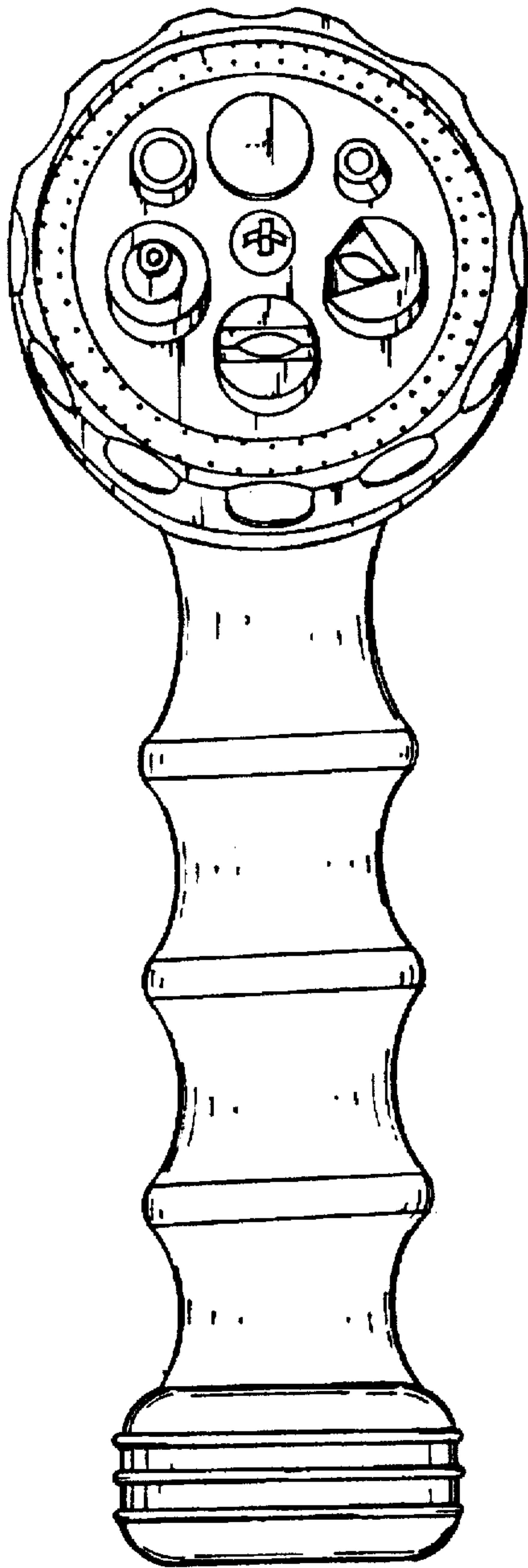


FIG. 5

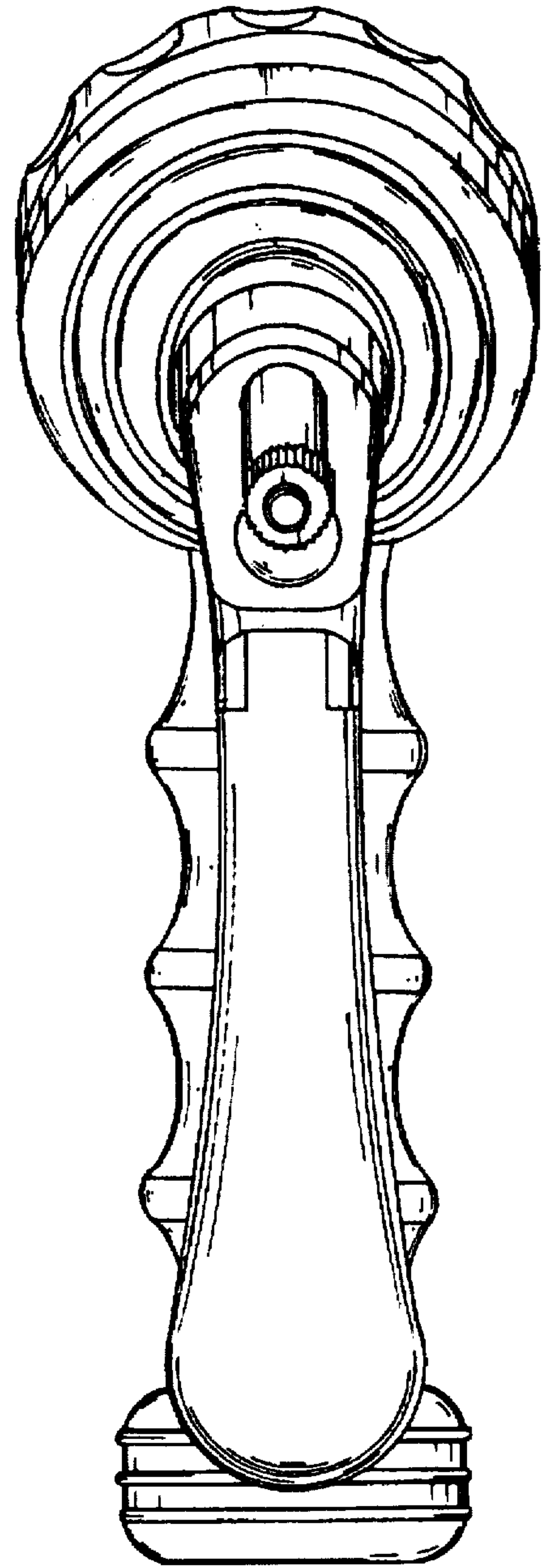


FIG. 6