



US00D390634S

United States Patent [19]
Albertson

[11] **Patent Number: Des. 390,634**
[45] **Date of Patent: **Feb. 10, 1998**

[54] **WATER PULSATOR**

[76] Inventor: **Patricia J. Albertson**, 2100 Shadywood Rd., Wayzata, Minn. 55391

[**] Term: **14 Years**

[21] Appl. No.: **66,938**

[22] Filed: **Feb. 19, 1997**

[51] LOC (6) Cl. **23-01**

[52] U.S. Cl. **D23/226**

[58] Field of Search **D23/213, 223-229; 239/525-528, 459, 460**

[56] **References Cited**

U.S. PATENT DOCUMENTS

D. 225,736	1/1973	Mango et al.	D23/226
D. 379,491	5/1997	Goodin .	
4,534,512	8/1985	Chow et al.	239/394
5,630,548	5/1997	Chih	239/394

OTHER PUBLICATIONS

Nelson products catalog, #2230 pistol nozzle, p. 11, 1986.

Primary Examiner—Alan P. Douglas

Assistant Examiner—Robin V. Taylor

[57] **CLAIM**

The ornamental design of a water pulsator, as shown and described.

DESCRIPTION

FIG. 1 is a side elevational view of a water pulsator showing my new design, the opposite side being a mirror image thereof;

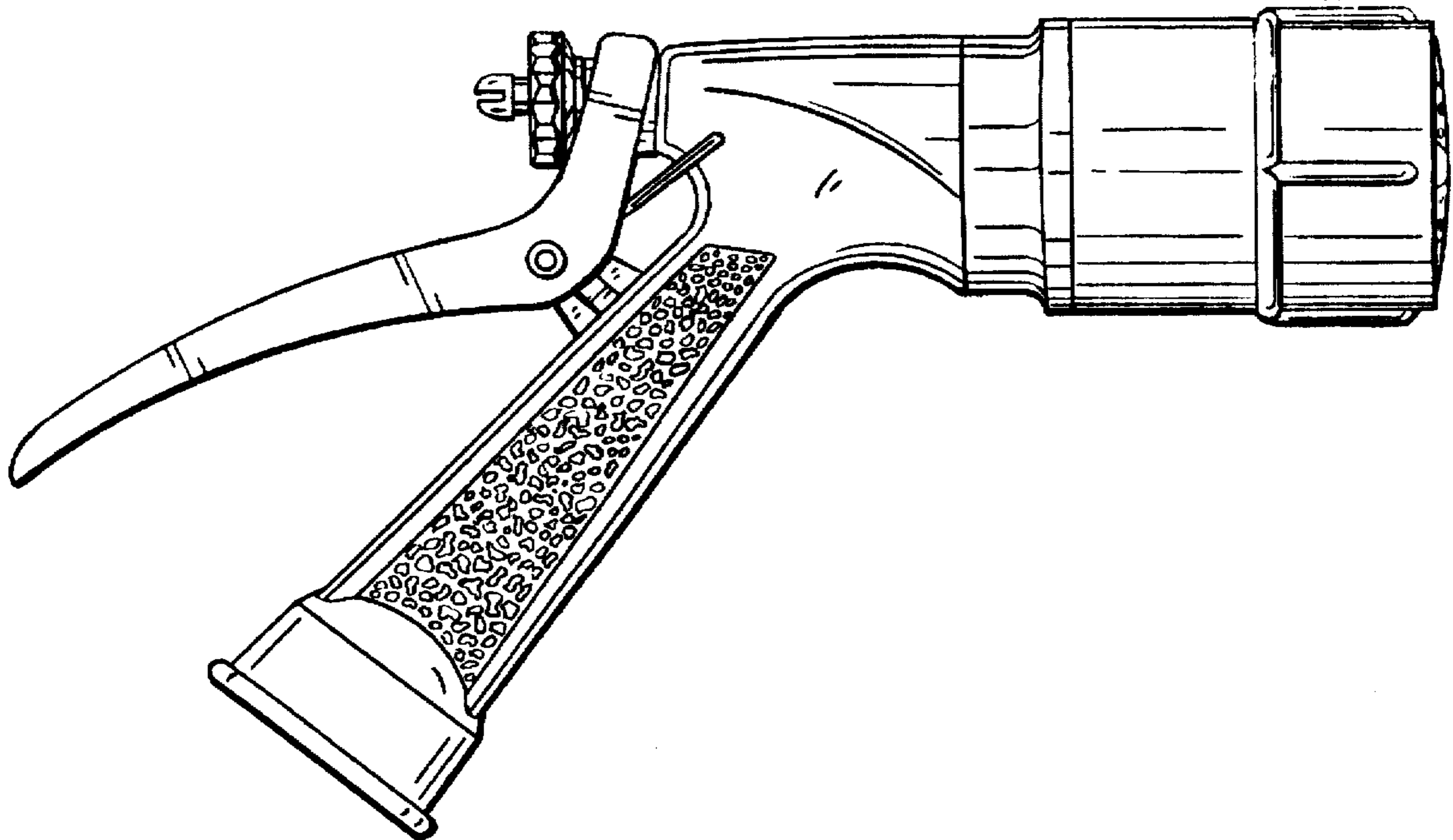
FIG. 2 is a top plan view thereof;

FIG. 3 is a bottom plan view thereof;

FIG. 4 is a front elevational view thereof; and,

FIG. 5 is a rear elevational view thereof.

1 Claim, 2 Drawing Sheets



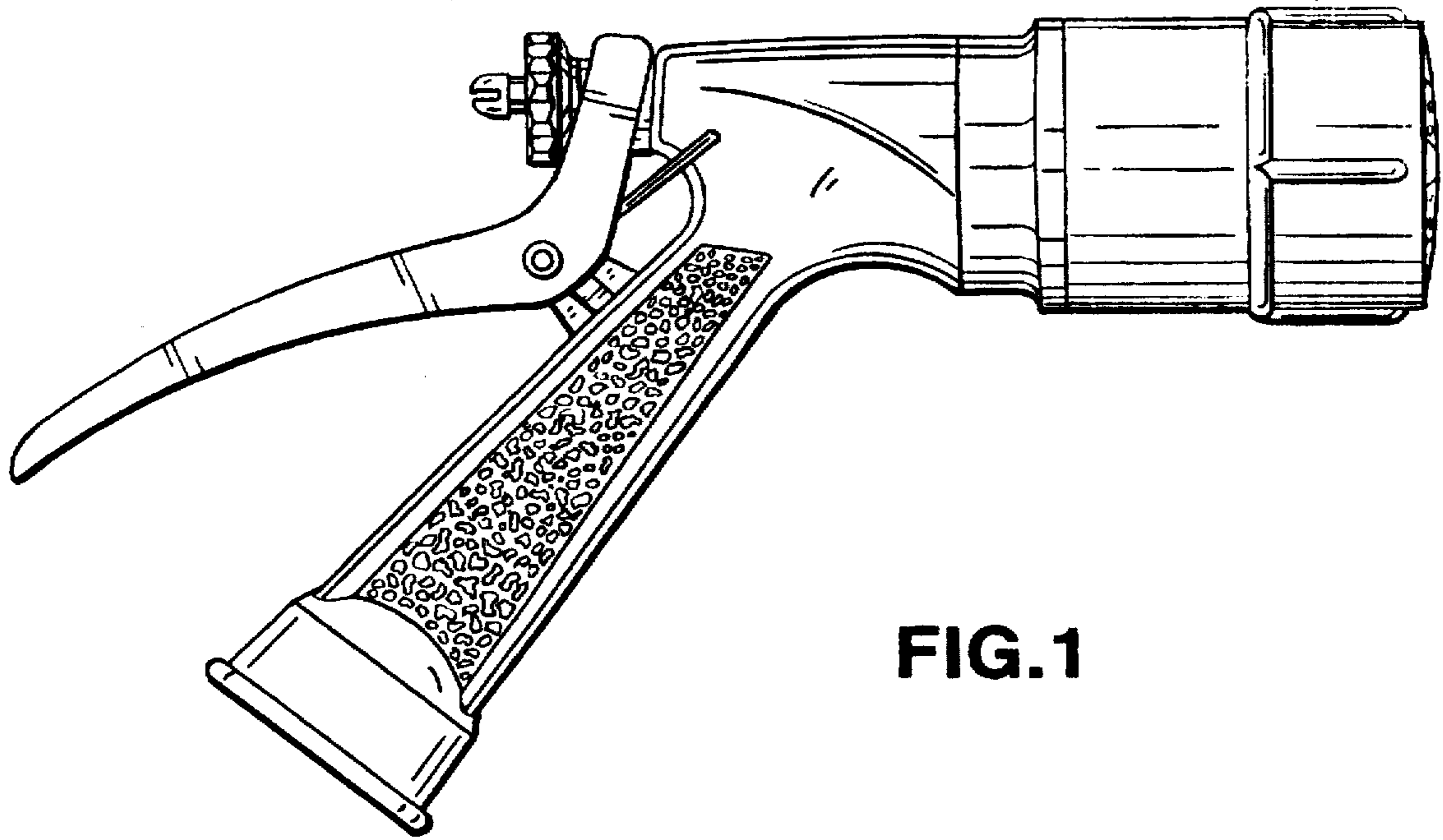


FIG. 1

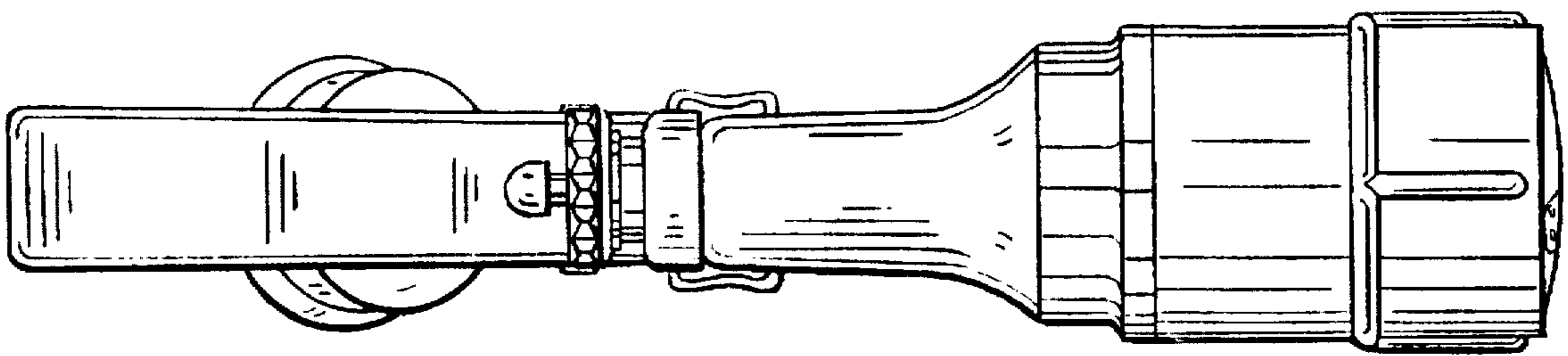


FIG. 2

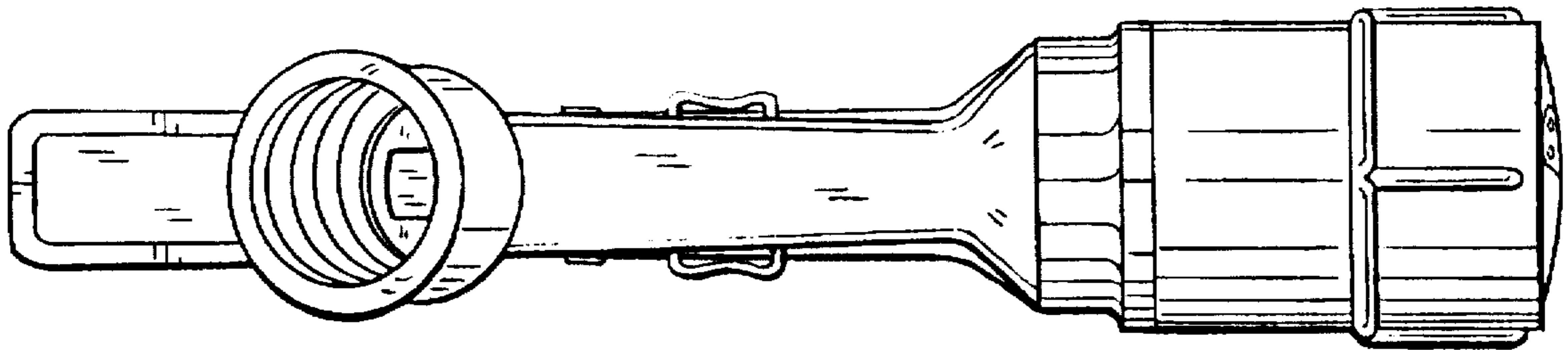


FIG. 3

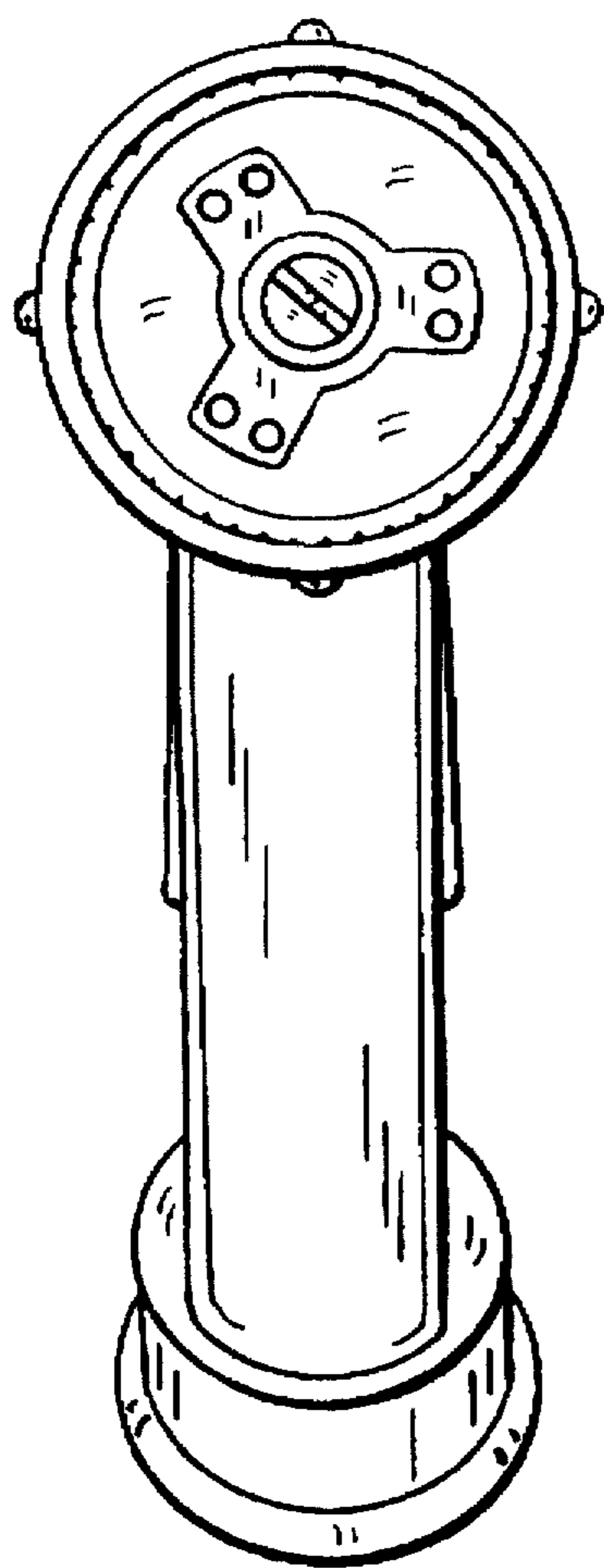


FIG. 4

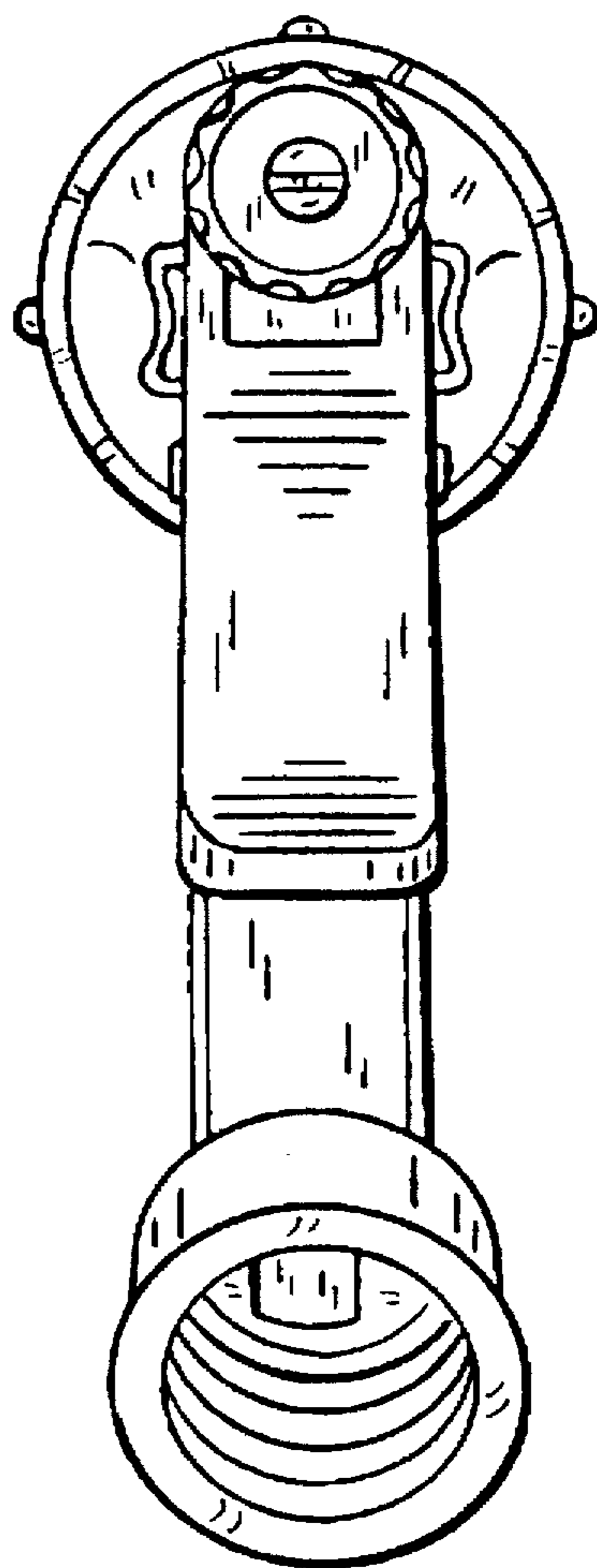


FIG. 5