



US00D390630S

United States Patent [19]
McKown et al.

[11] **Patent Number: Des. 390,630**
[45] **Date of Patent: **Feb. 10, 1998**

[54] **CO-SPRAYING NOZZLE**
[75] **Inventors: Alan G. McKown, Oakdale; Robert M. Petrie, Plymouth, both of Minn.**
[73] **Assignee: Minnesota Mining and Manufacturing Company, St. Paul, Minn.**
[**] **Term: 14 Years**

D. 185,982 8/1959 Scully D23/226
D. 319,292 8/1991 Gunzel et al. D23/213
D. 358,865 5/1995 Enghard D23/213
5,100,059 3/1992 Enghard et al. 239/318

Primary Examiner—Alan P. Douglas
Assistant Examiner—Robin V. Taylor
Attorney, Agent, or Firm—William L. Huebsch

[21] **Appl. No.: 69,751**
[22] **Filed: Apr. 22, 1997**

[57] **CLAIM**
The ornamental design for a co-spraying nozzle, as shown.

[51] **LOC (6) Cl. 23-01**
[52] **U.S. Cl. D23/213**
[58] **Field of Search D23/213, 223-229; 239/310, 316-318; 222/383.1, 481, 484; D9/448**

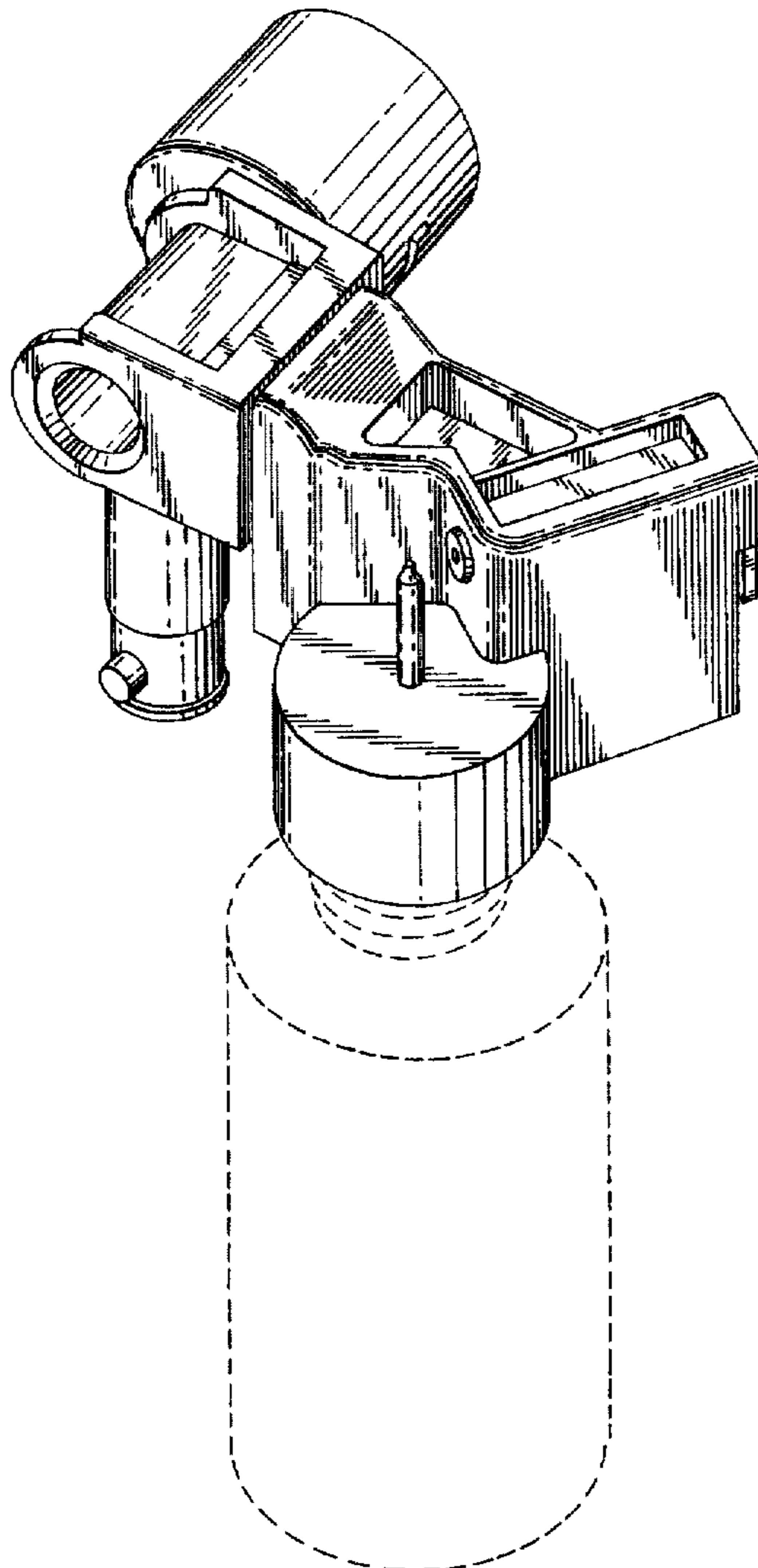
DESCRIPTION

FIG. 1 is a top, right, front isometric view of a co-spraying nozzle showing our new design;
FIG. 2 is a top plan view thereof;
FIG. 3 is a front elevational view thereof;
FIG. 4 is a rear elevational view thereof;
FIG. 5 is a left side elevational view thereof;
FIG. 6 is a right side elevational view thereof; and,
FIG. 7 is a bottom plan view thereof.

[56] **References Cited**
U.S. PATENT DOCUMENTS

D. 115,414 6/1939 Lindstaedt D23/213

1 Claim, 4 Drawing Sheets



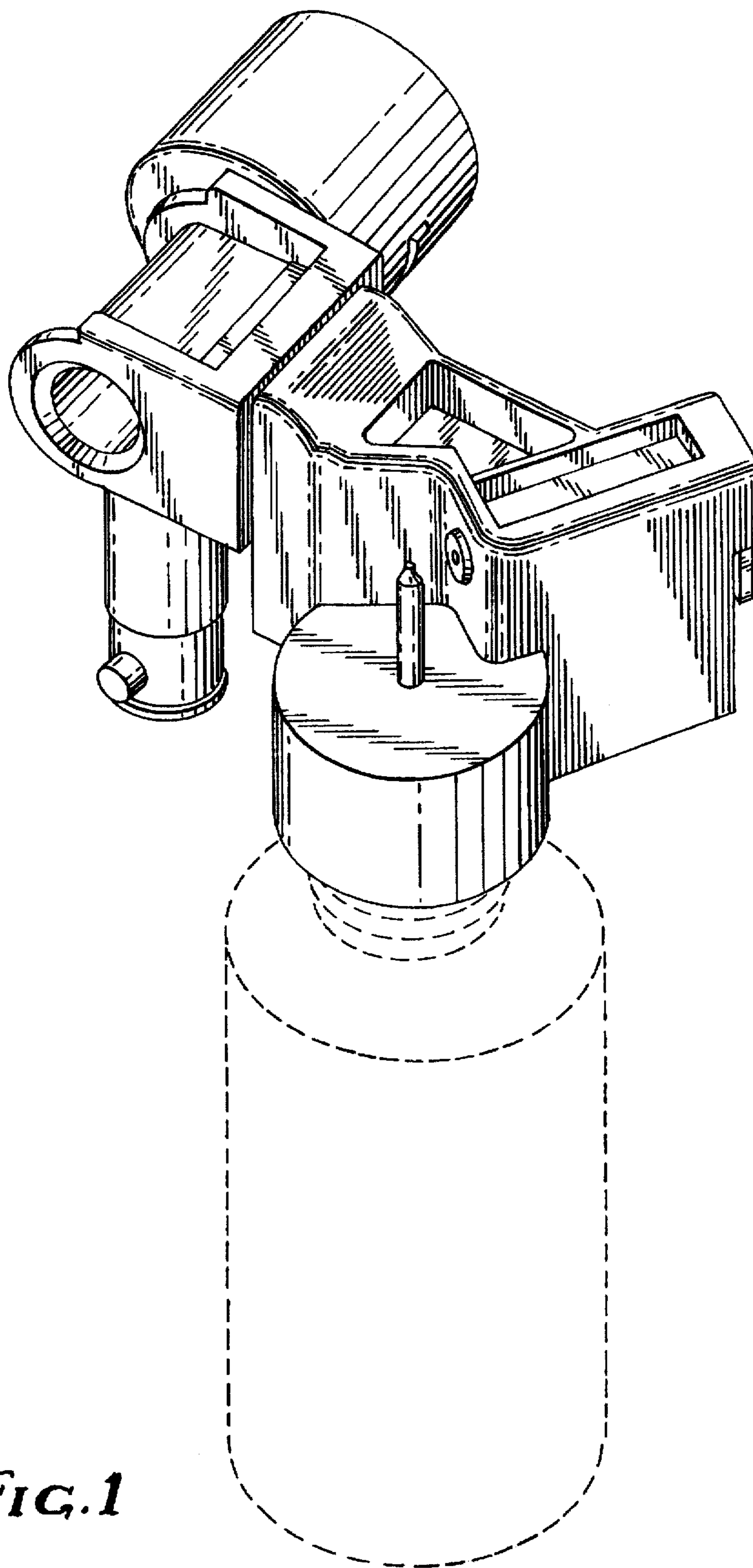
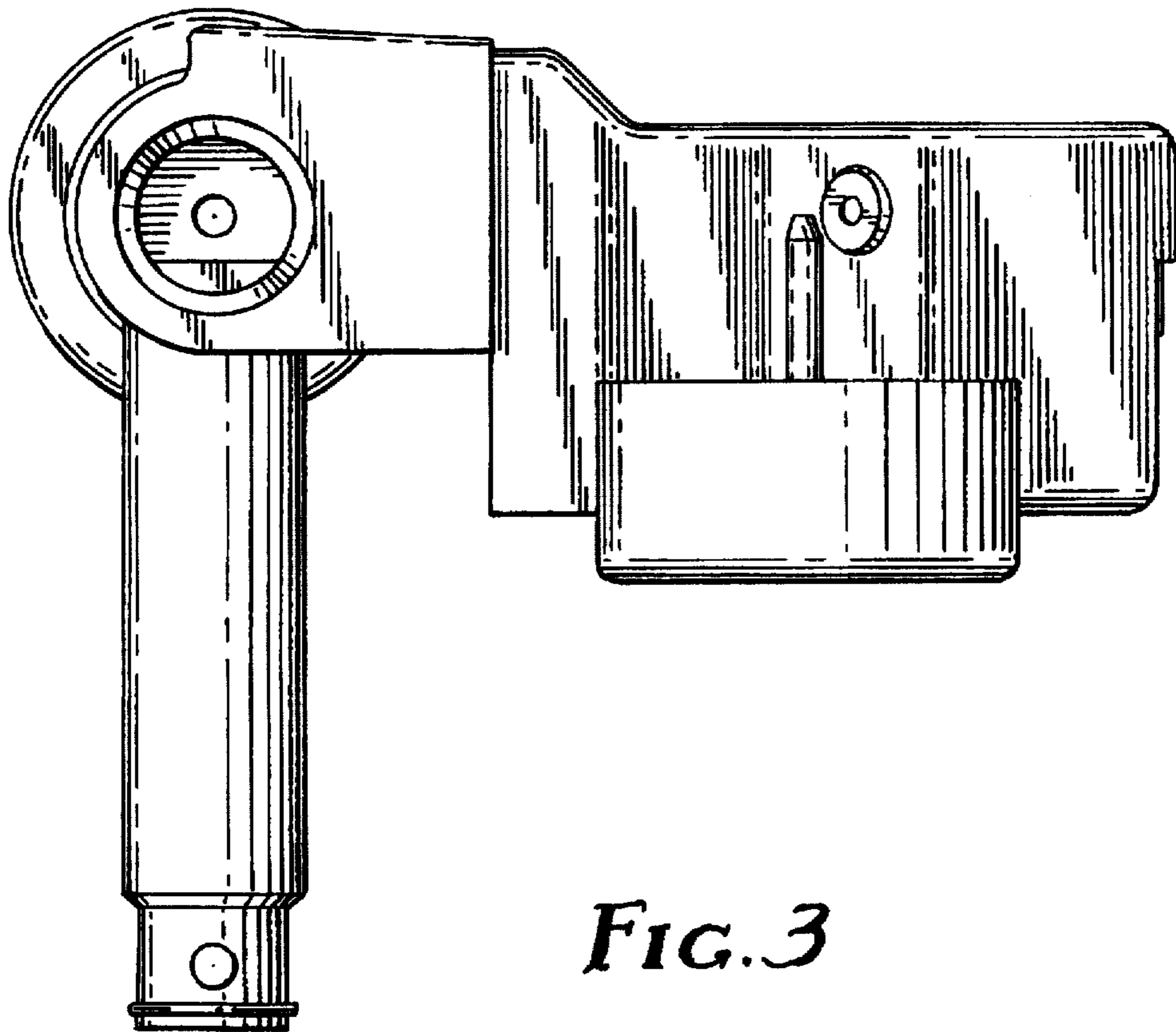
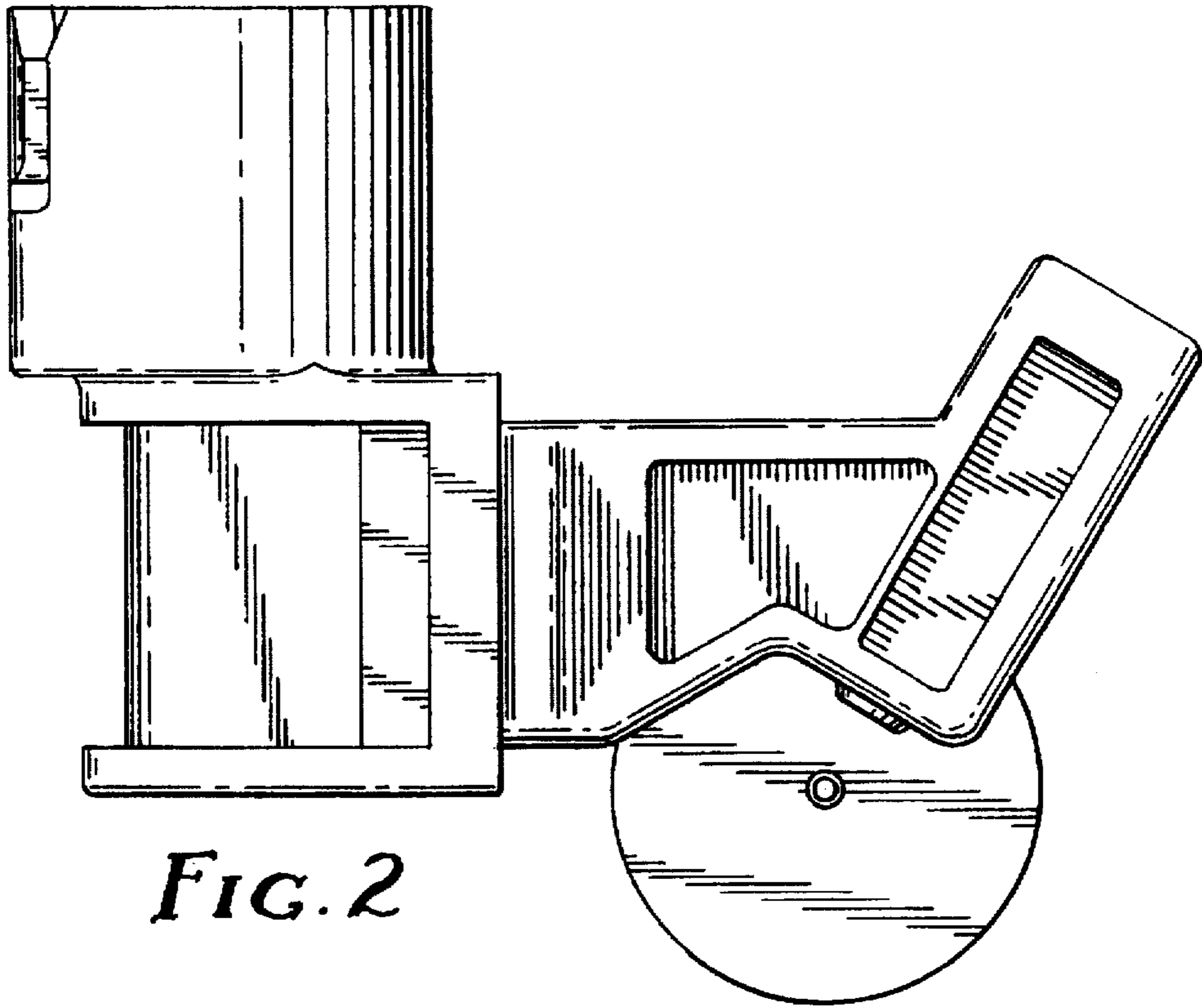


FIG. 1



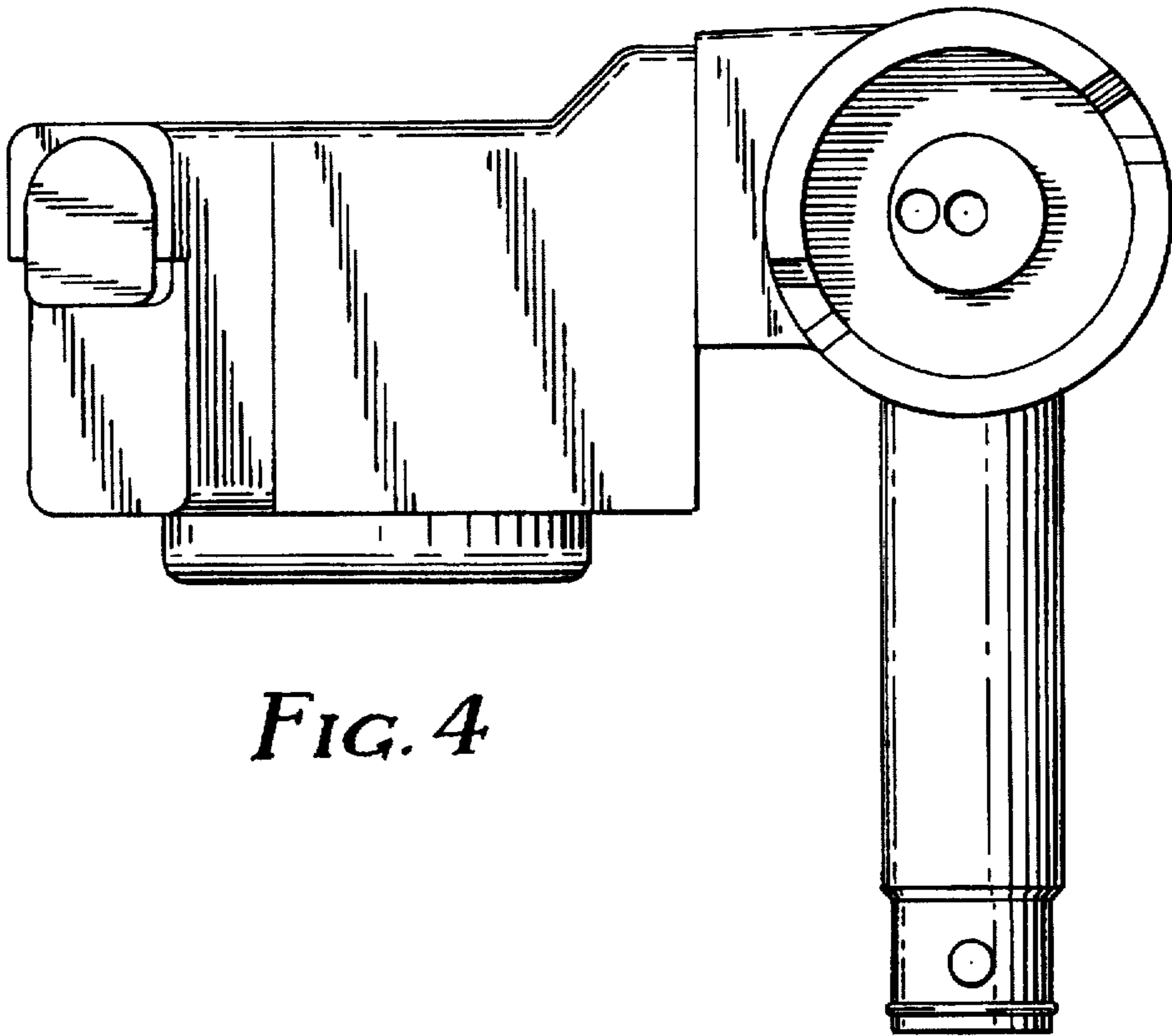


FIG. 4

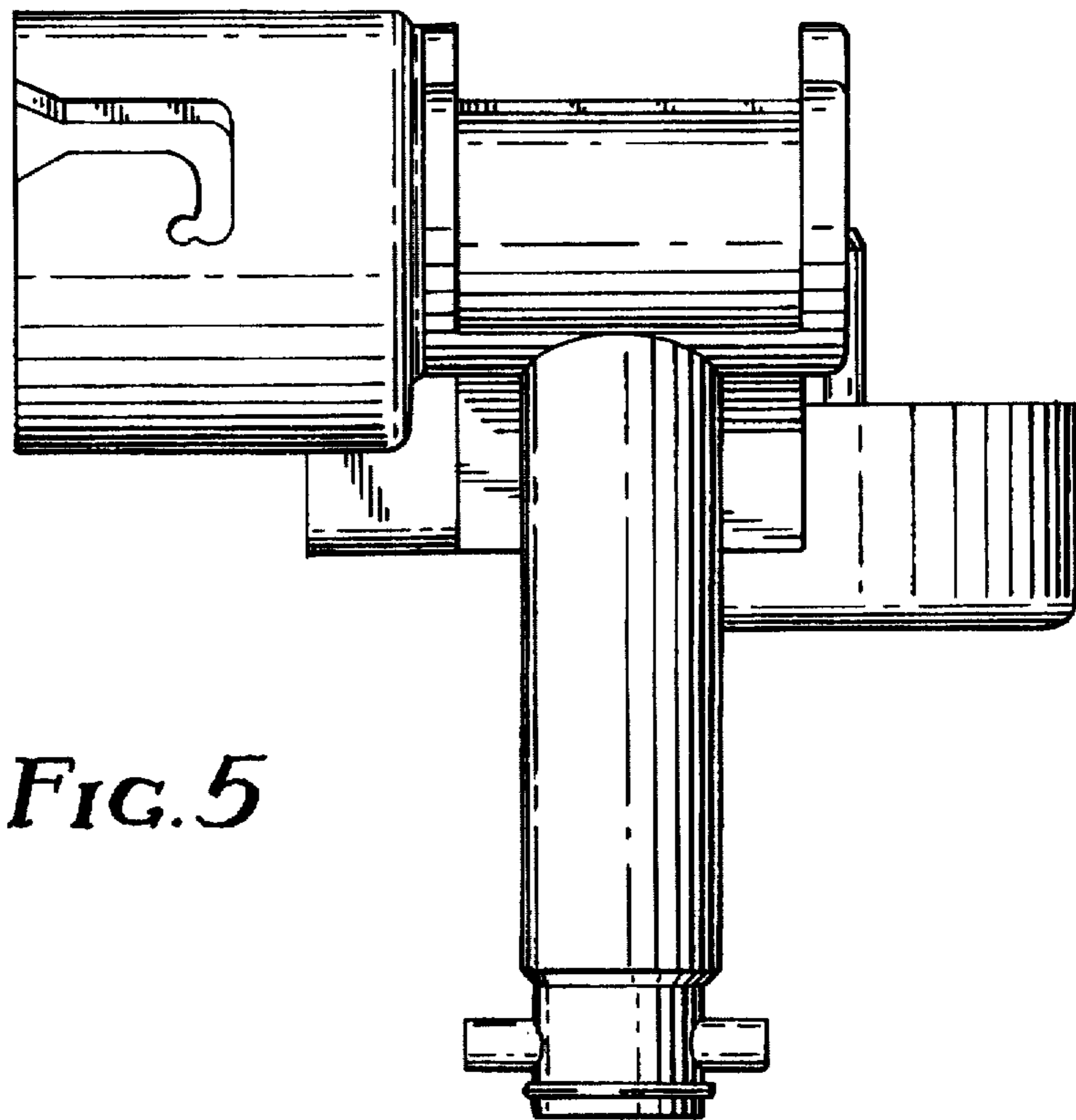


FIG. 5

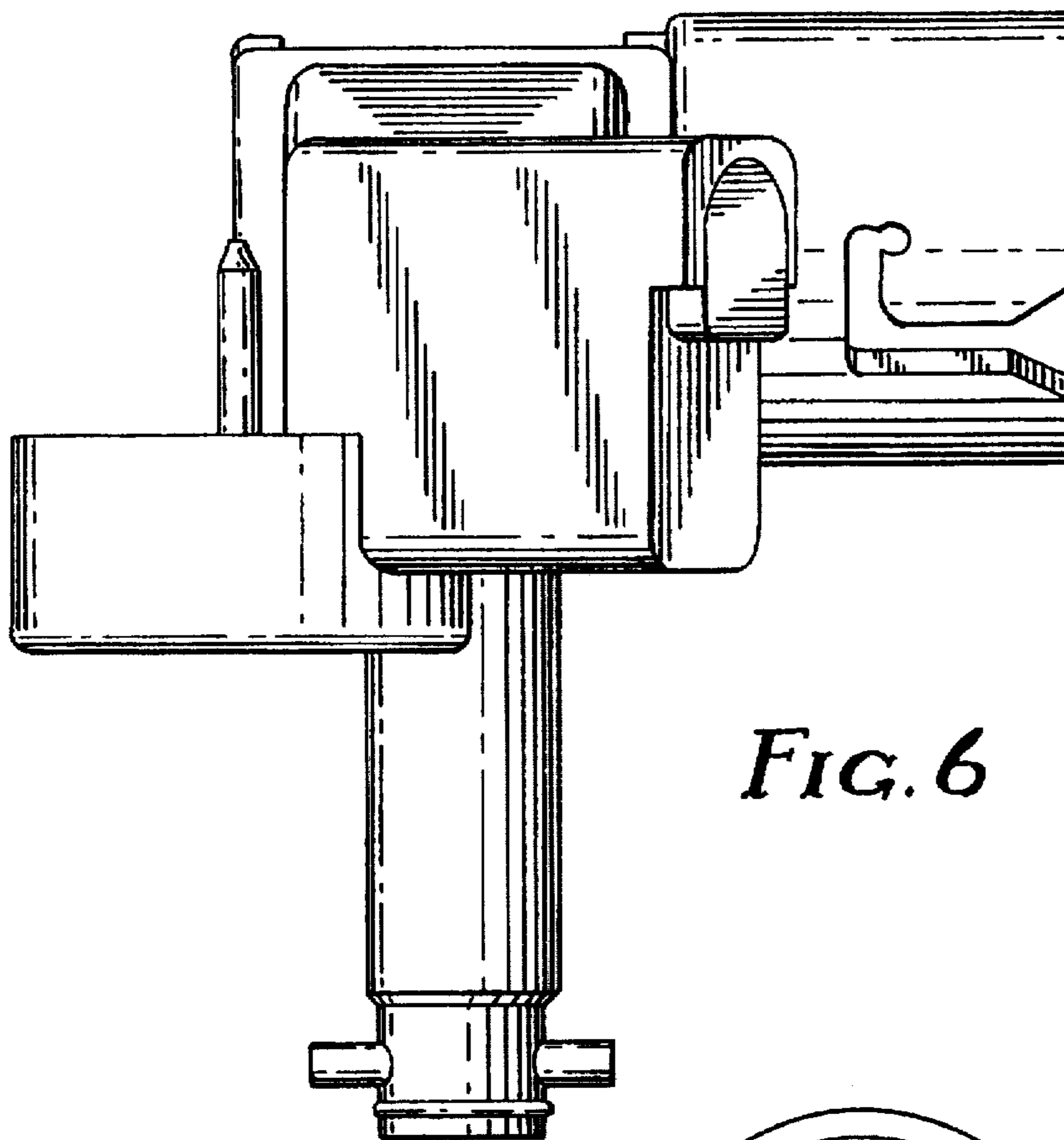


FIG. 6

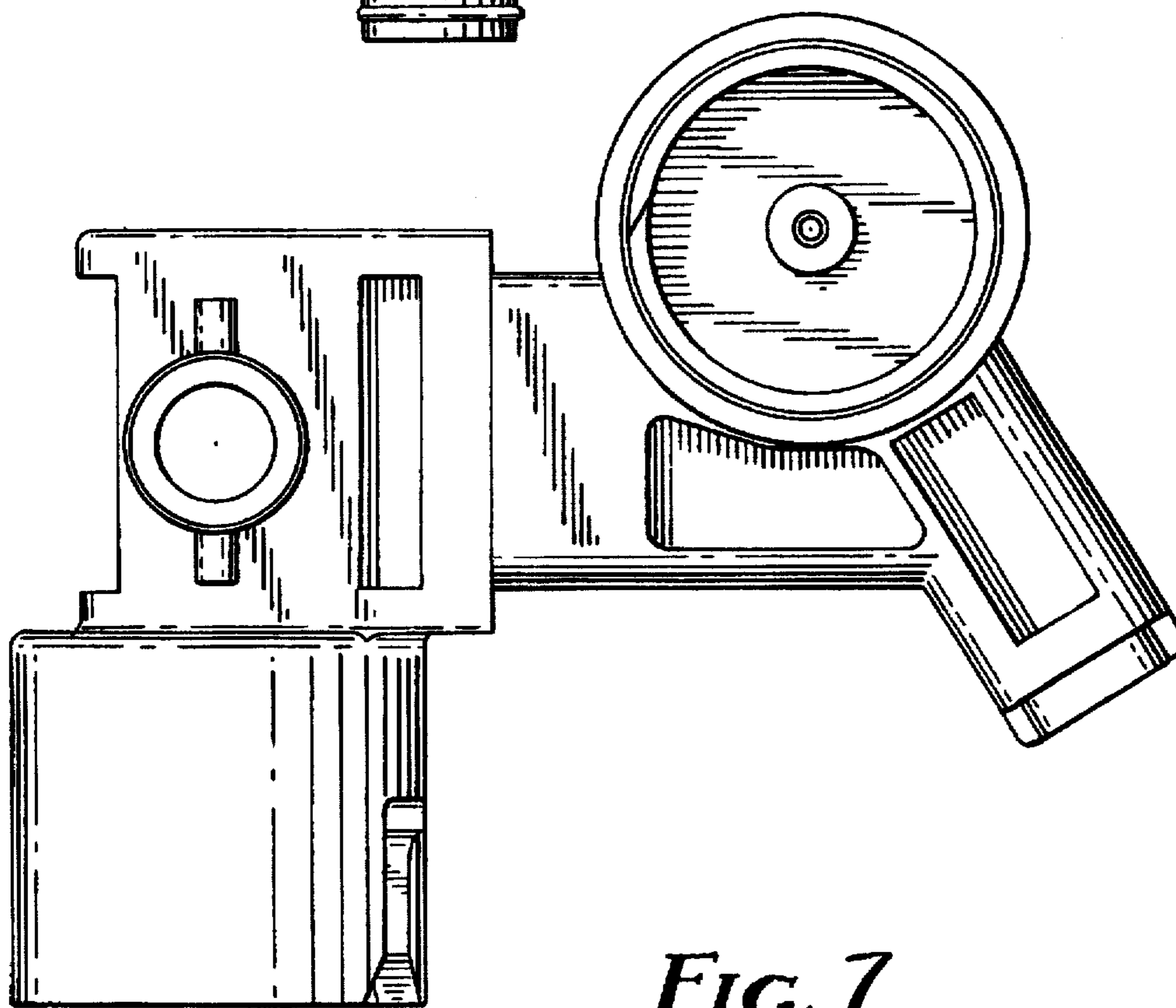


FIG. 7