

US00D390629S

United States Patent [19]

[11] Patent Number: **Des. 390,629**

Ullmann

[45] Date of Patent: ****Feb. 10, 1998**

[54] **WATER FILTER**

[75] Inventor: **Roland Ullmann**, Offenbach, Germany

[73] Assignee: **Braun Aktiengesellschaft**, Frankfurt, Germany

[**] Term: **14 Years**

[21] Appl. No.: **68,078**

[22] Filed: **Jan. 17, 1997**

4,895,648 1/1990 Hankammer 210/188
 5,320,752 6/1994 Clack et al. 210/282
 5,324,434 6/1994 Oikawa et al. 210/87
 5,350,513 9/1994 Markowitz 210/264
 5,536,394 7/1996 Lund et al. 210/87

FOREIGN PATENT DOCUMENTS

24 51 190 A 7/1975 Germany G12B 11/00
 42 00 566 11/1993 Germany A47J 31/60
 M9106846.0 5/1993 WIPO 7/2

OTHER PUBLICATIONS

Four (4) photographs of space compensation plug for Braun Flavor Select KF 100 series coffeemaker utilized in place of waterfilter (undated prior art).

Primary Examiner—Alan P. Douglas
Assistant Examiner—Robin V. Taylor
Attorney, Agent, or Firm—Edward S. Podszus

Related U.S. Application Data

[63] Continuation of Ser. No. 53,475, Apr. 23, 1996, abandoned.

Foreign Application Priority Data

Jan. 29, 1996 [DE] Germany M 96 00 792.3

[51] LOC (6) Cl. 23-01
 [52] U.S. Cl. D23/209
 [58] Field of Search D23/207, 208,
 D23/209, 210, 366, 368, 369; 210/188,
 264, 282; D7/387, 392, 397, 400

[57] CLAIM

The ornamental design for a water filter, as shown and described.

References Cited

U.S. PATENT DOCUMENTS

D. 311,570 10/1990 Woodruff D23/209
 D. 312,863 12/1990 Hankammer D23/209
 D. 336,011 6/1993 Bannigan D7/400
 D. 354,796 1/1995 Smith D23/209
 D. 358,868 5/1995 Hembree et al. D23/238
 4,172,796 10/1979 Corder 210/238
 4,556,484 12/1985 Hunter, et al. 210/90

DESCRIPTION

FIG. 1 is a perspective left-side front elevational view of a water filter, showing my design;
 FIG. 2 is a front view thereof of FIG. 1;
 FIG. 3 is a right-side view thereof of FIG. 2;
 FIG. 4 is a left-side view thereof of FIG. 2;
 FIG. 5 is a rear view thereof of FIG. 2;
 FIG. 6 is a top plan view thereof of FIG. 2, and,
 FIG. 7 is a bottom plan view thereof of FIG. 2.

1 Claim, 3 Drawing Sheets

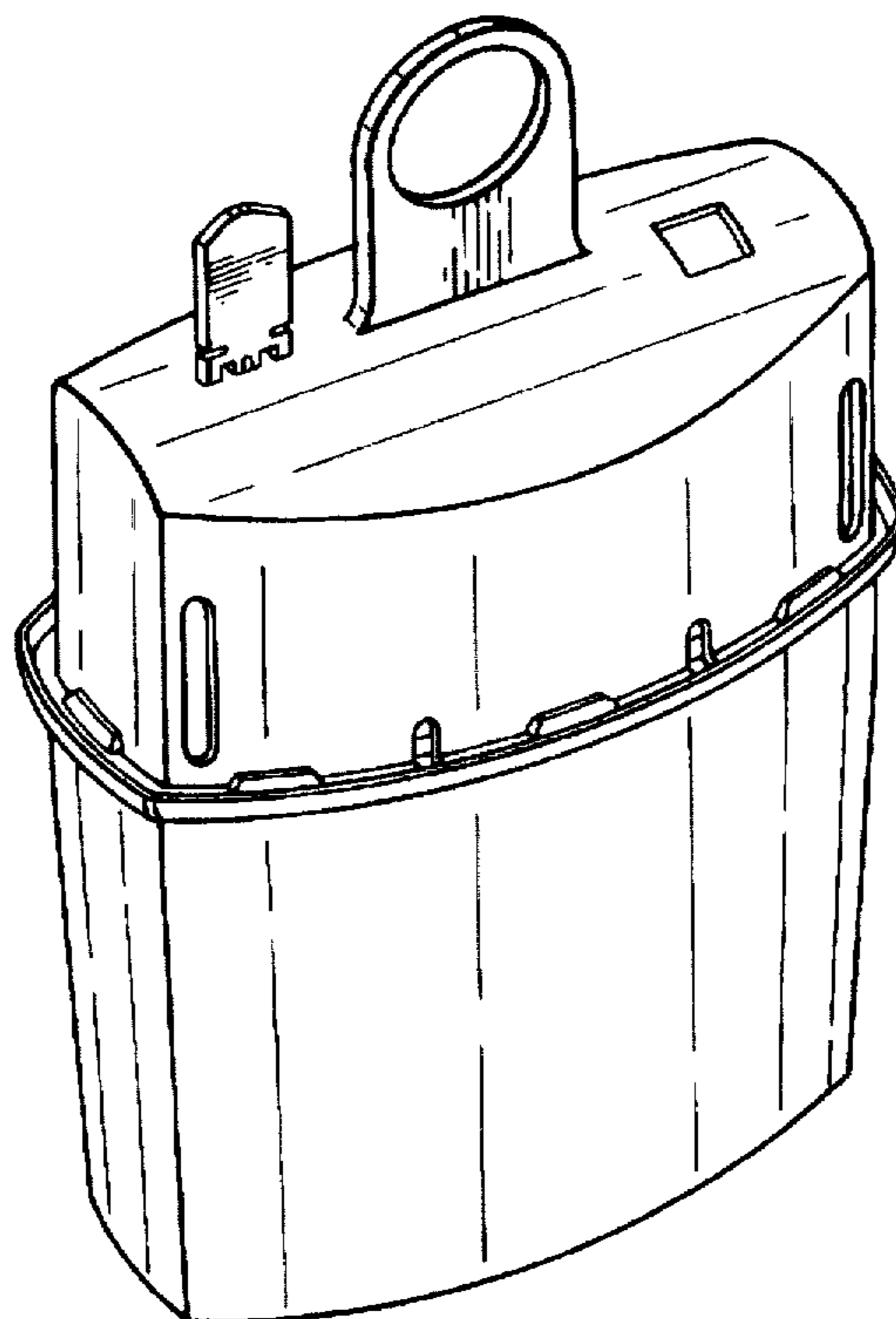
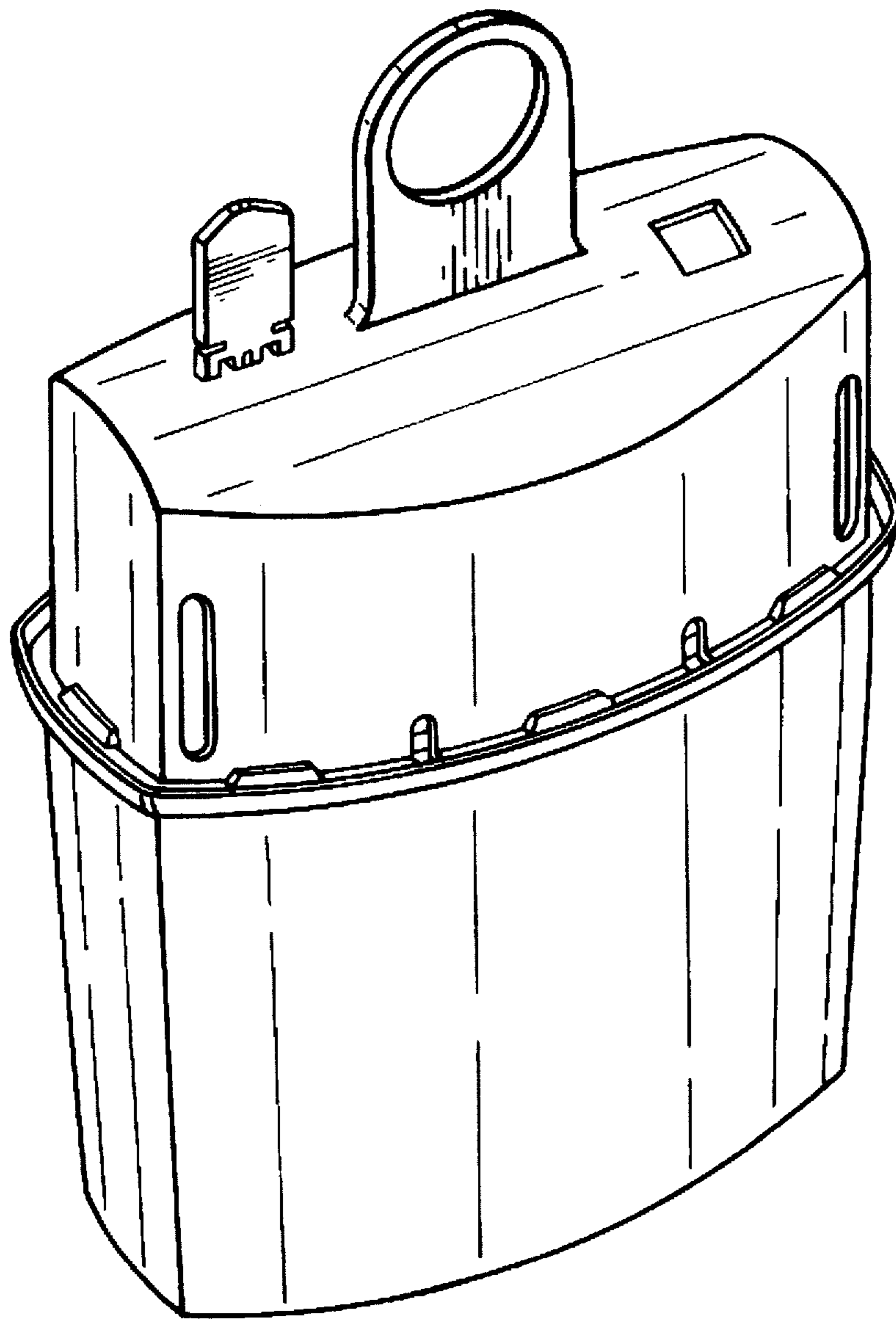


Fig. 1



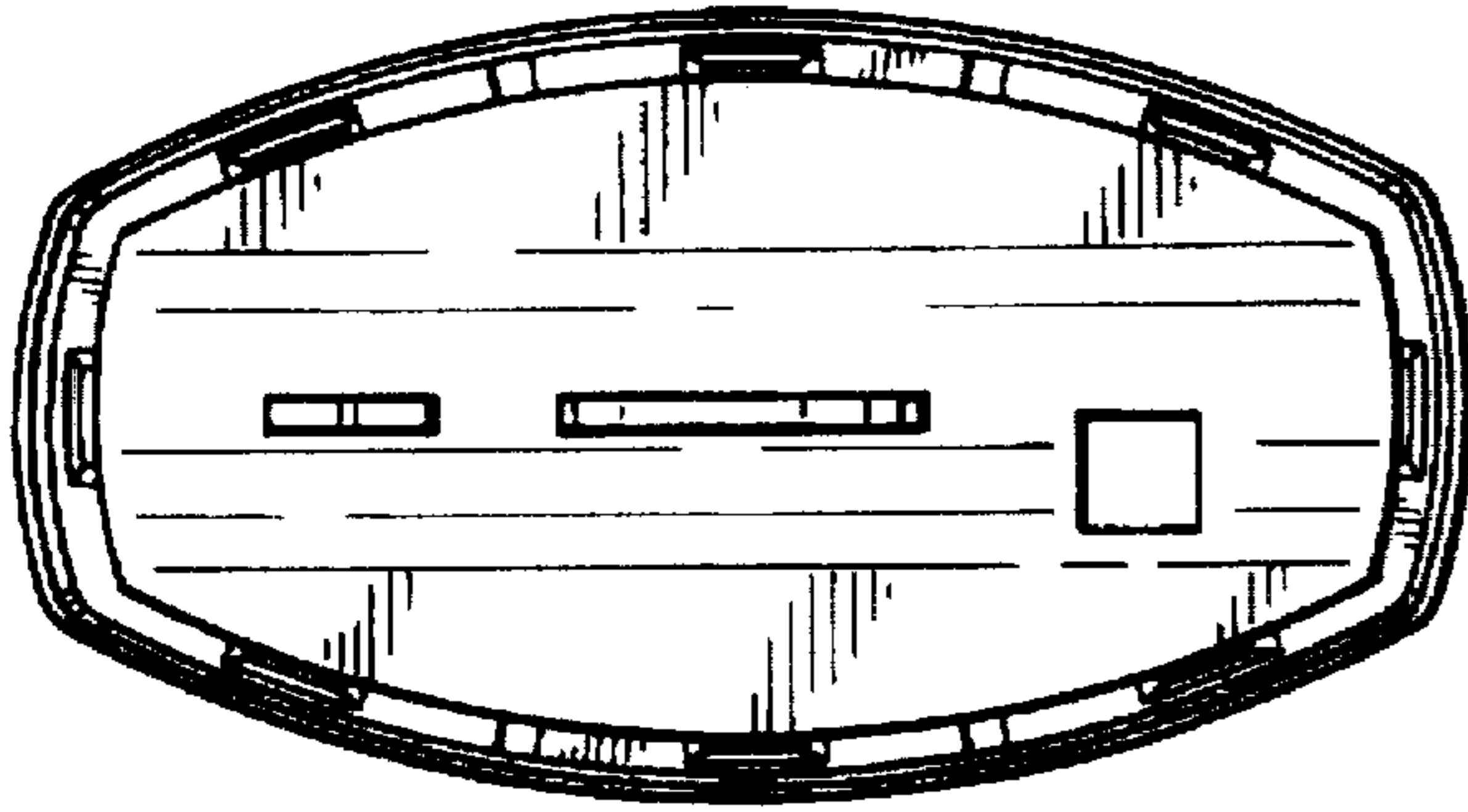


Fig. 2

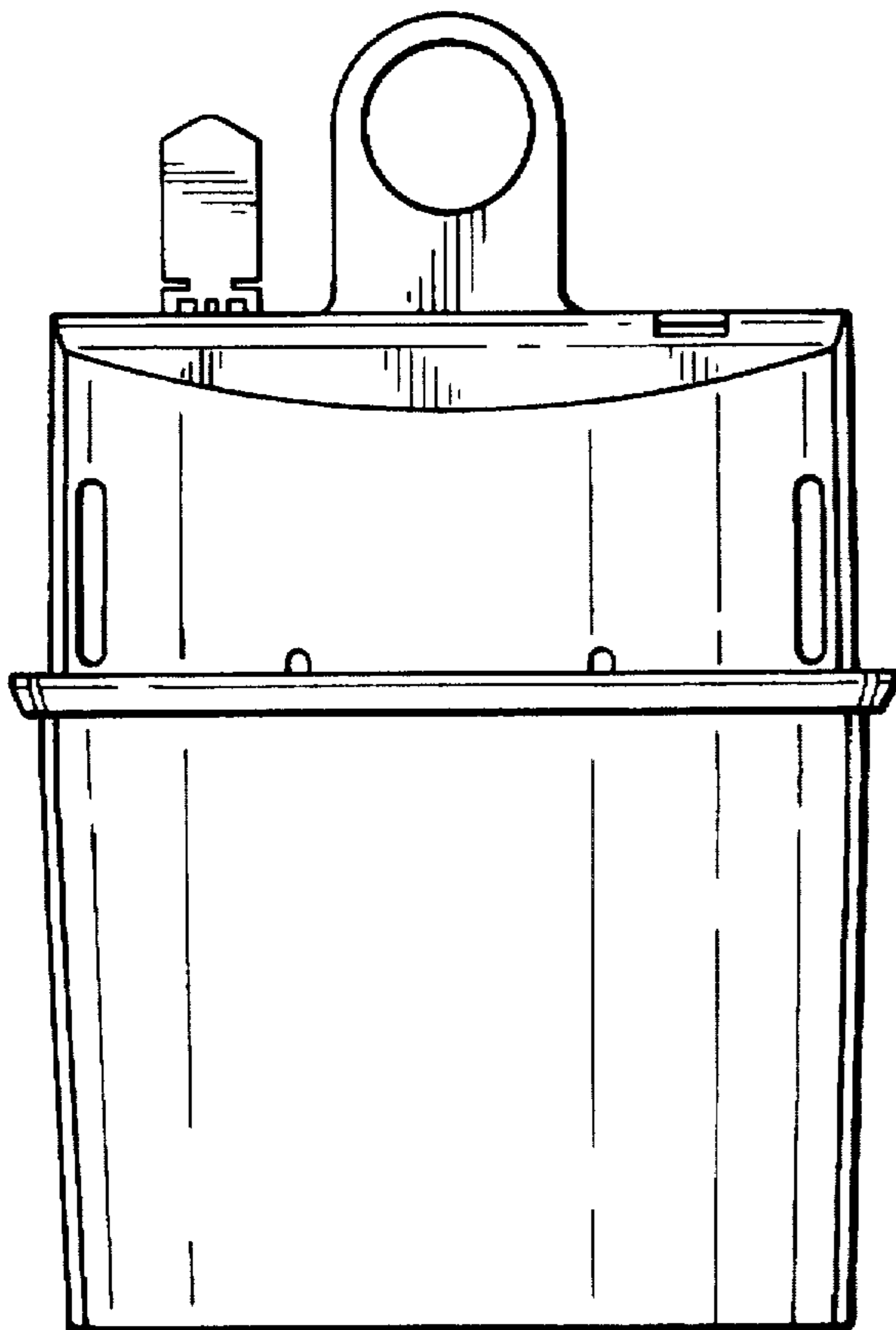
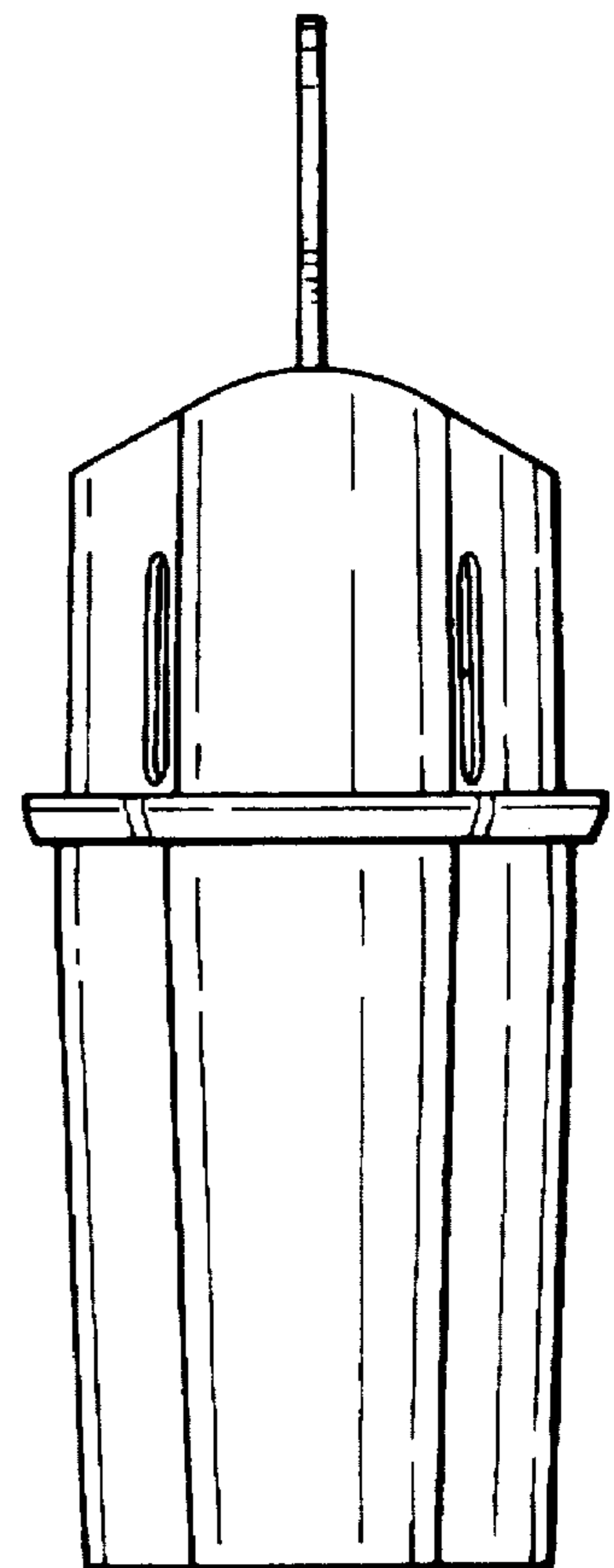


Fig. 3

Fig. 6



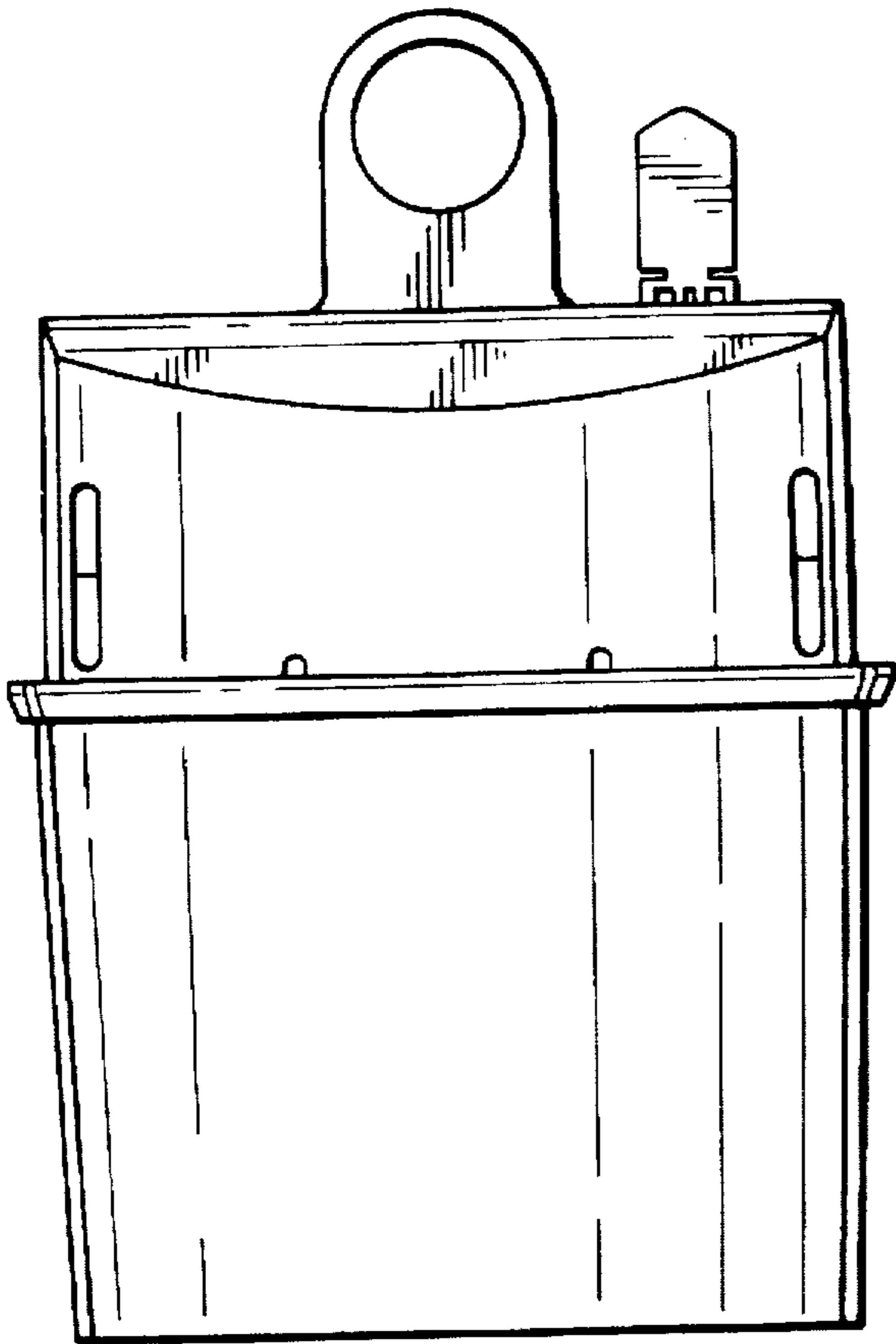


Fig. 5

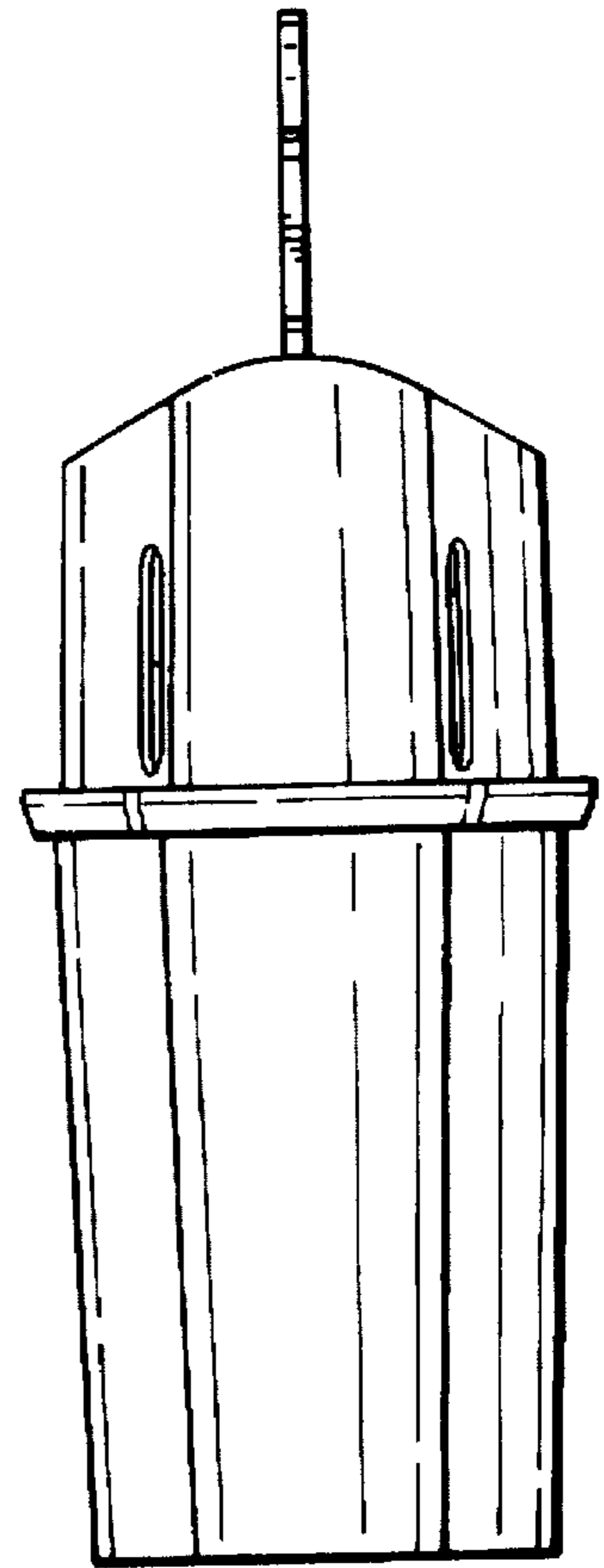


Fig. 4

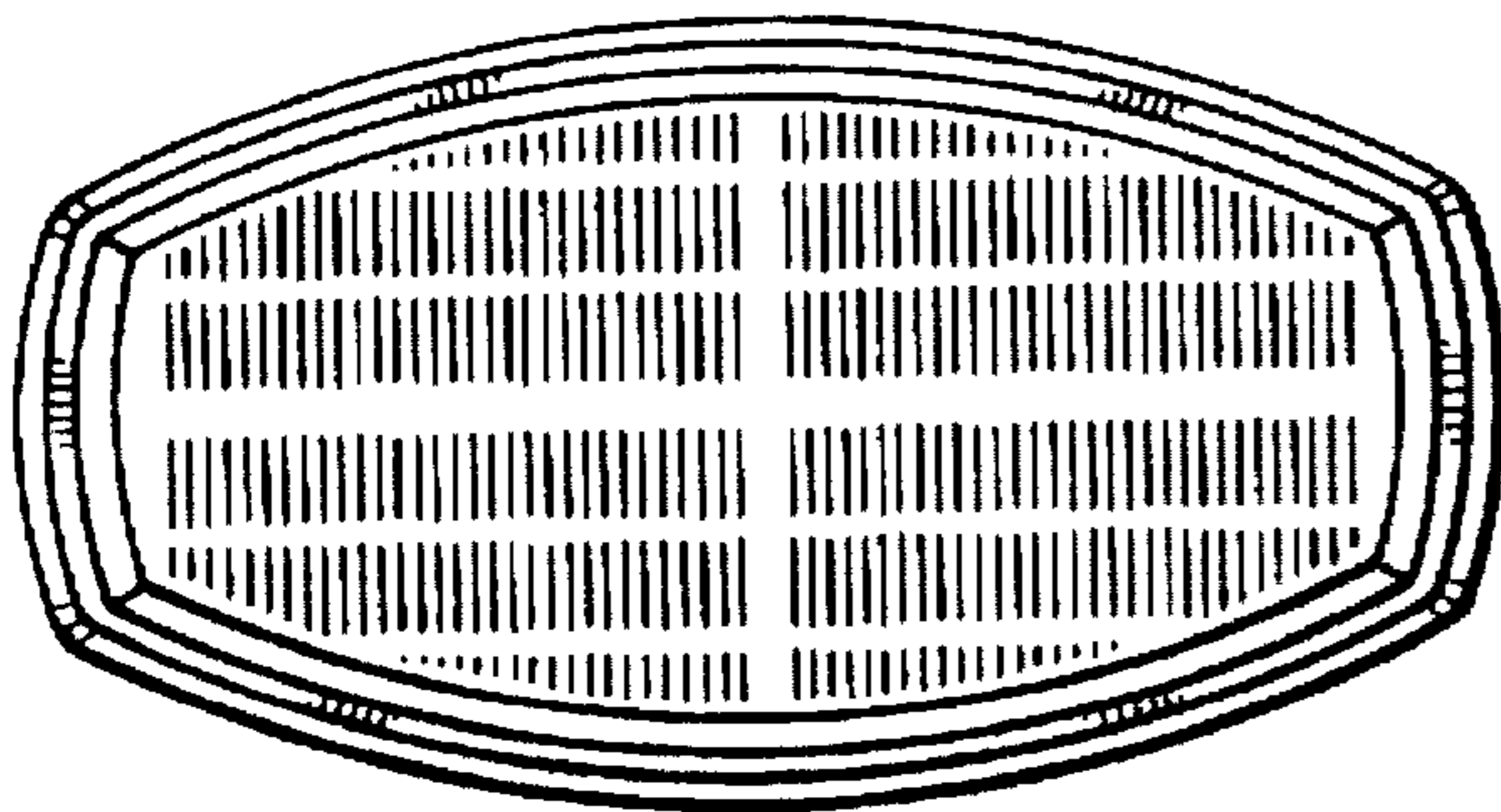


Fig. 7