



US00D390628S

**United States Patent** [19]  
**Husted**

[11] **Patent Number:** **Des. 390,628**  
[45] **Date of Patent:** **\*\*Feb. 10, 1998**

[54] **STRIDING DEVICE**  
[76] **Inventor:** **Royce H. Husted, R.R. 4, Box 550,**  
**Forest, Va. 24551**  
[\*\*] **Term:** **14 Years**  
[21] **Appl. No.:** **61,465**  
[22] **Filed:** **Oct. 24, 1996**  
[51] **LOC (6) Cl. .... 21-02**  
[52] **U.S. Cl. .... D21/191**  
[58] **Field of Search .... D21/191, 192,**  
**D21/193, 194, 195; 482/51, 52, 53, 57,**  
**70, 71, 72, 54, 148**

5,423,729 6/1995 Eschenbach ..... 482/70  
5,536,224 7/1996 Hsieh ..... 482/70  
5,540,637 7/1996 Rodgers, Jr. .... 482/70  
5,549,526 8/1996 Rodgers, Jr. .... 482/70

*Primary Examiner*—Philip S. Hyder  
*Attorney, Agent, or Firm*—Nicholas A. Camasto

[57] **CLAIM**

The ornamental design for a striding device, as shown.

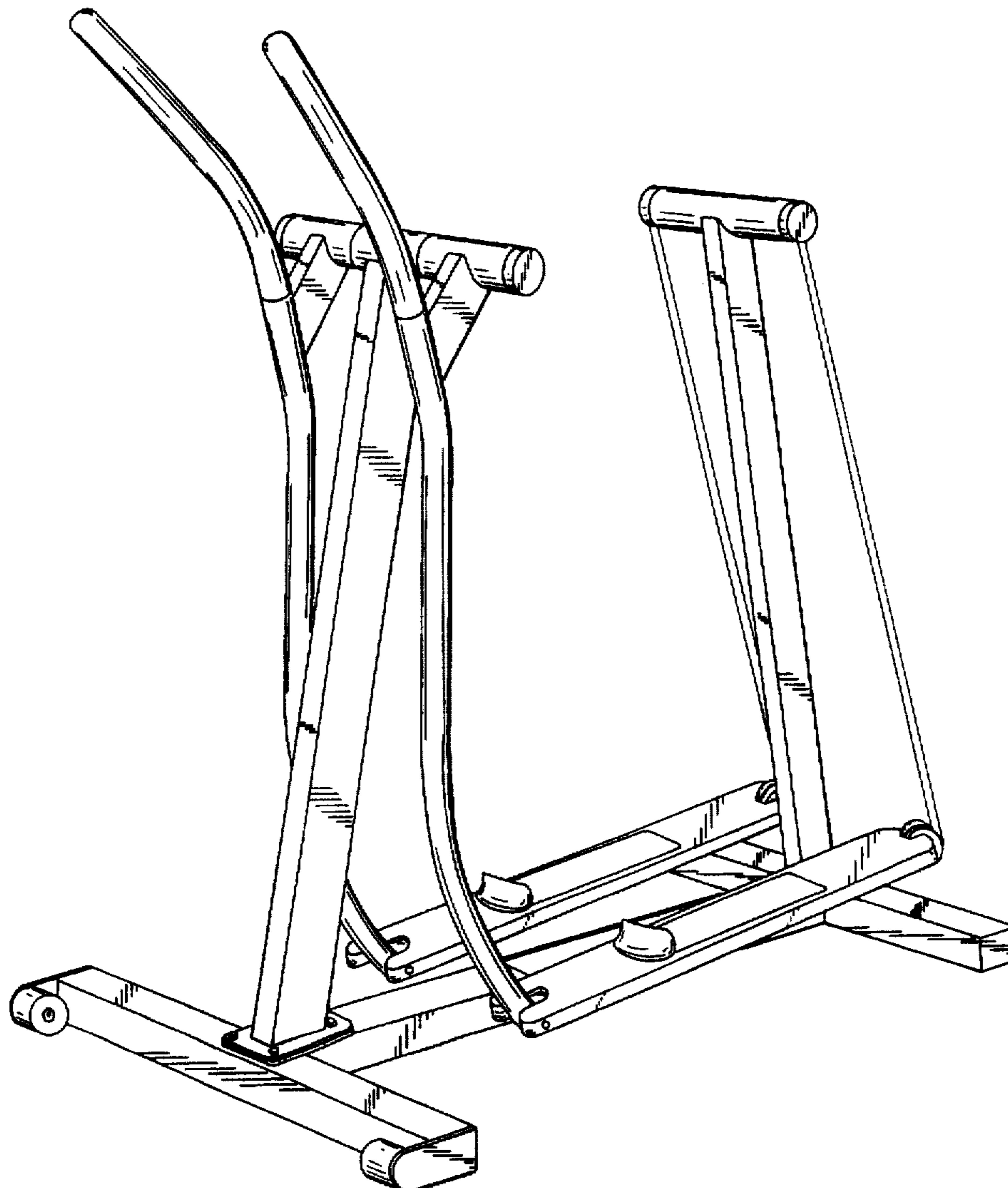
**DESCRIPTION**

FIG. 1 is a top, front and left side perspective view of a striding device showing my new design;  
FIG. 2 is a left-side elevational view thereof;  
FIG. 3 is a front elevational view thereof;  
FIG. 4 is a top plan view thereof;  
FIG. 5 is a right-side elevational view thereof;  
FIG. 6 is a rear elevational view thereof; and,  
FIG. 7 is a bottom plan view thereof.

[56] **References Cited**  
**U.S. PATENT DOCUMENTS**

D. 372,282 7/1996 Pasero et al. .... D21/191  
5,336,141 8/1994 Vittone ..... 482/70  
5,383,829 1/1995 Miller ..... 482/51

**1 Claim, 4 Drawing Sheets**



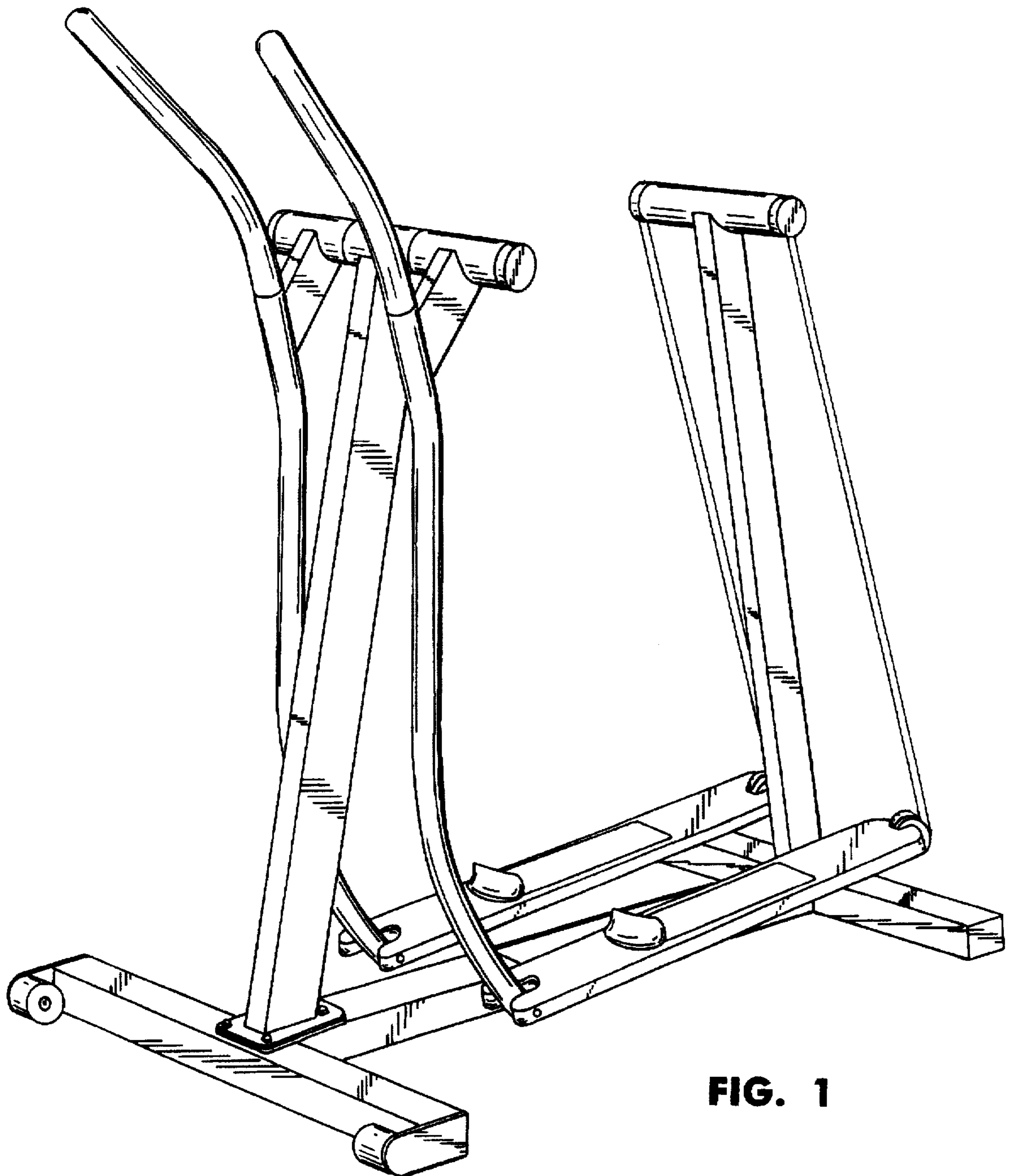


FIG. 1

FIG. 2

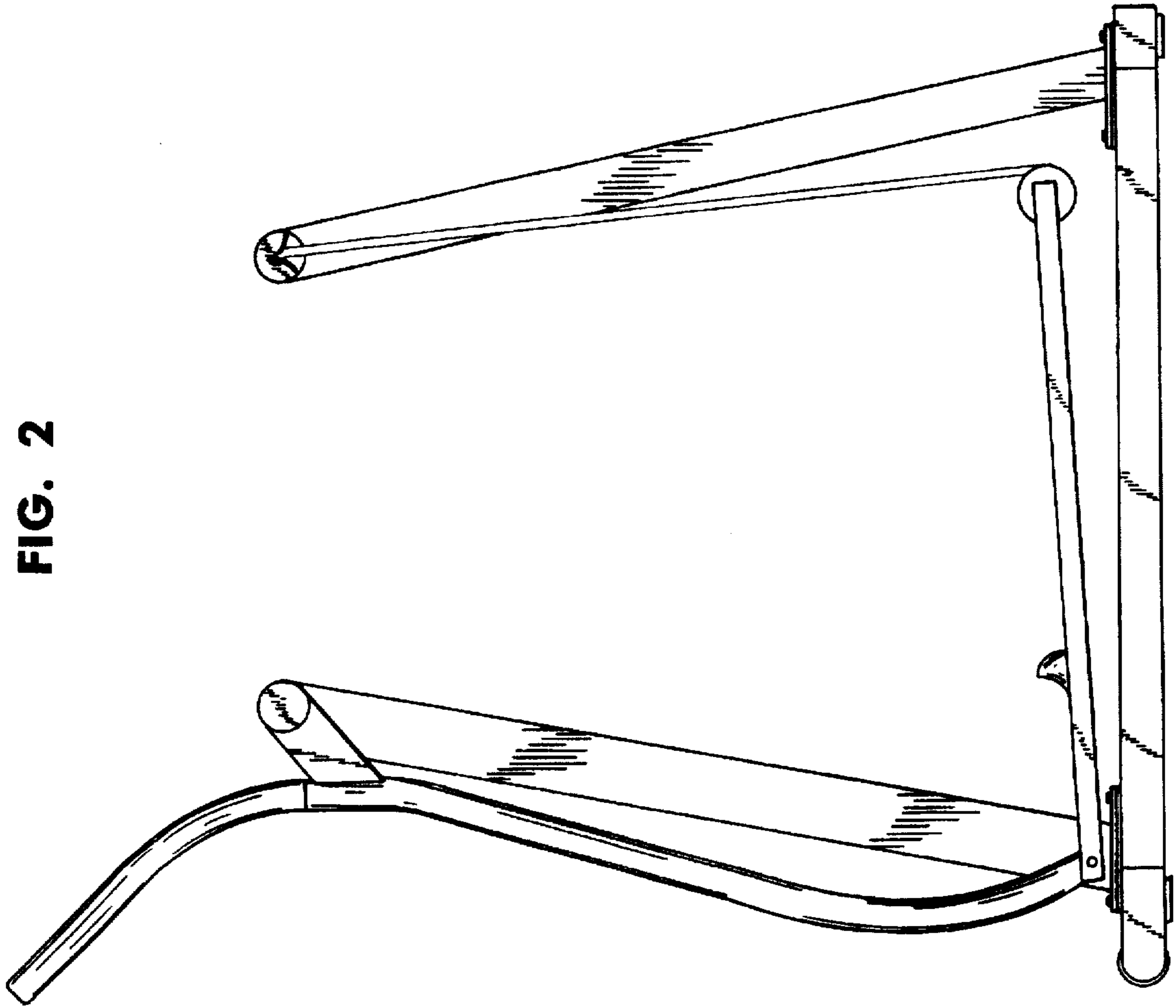
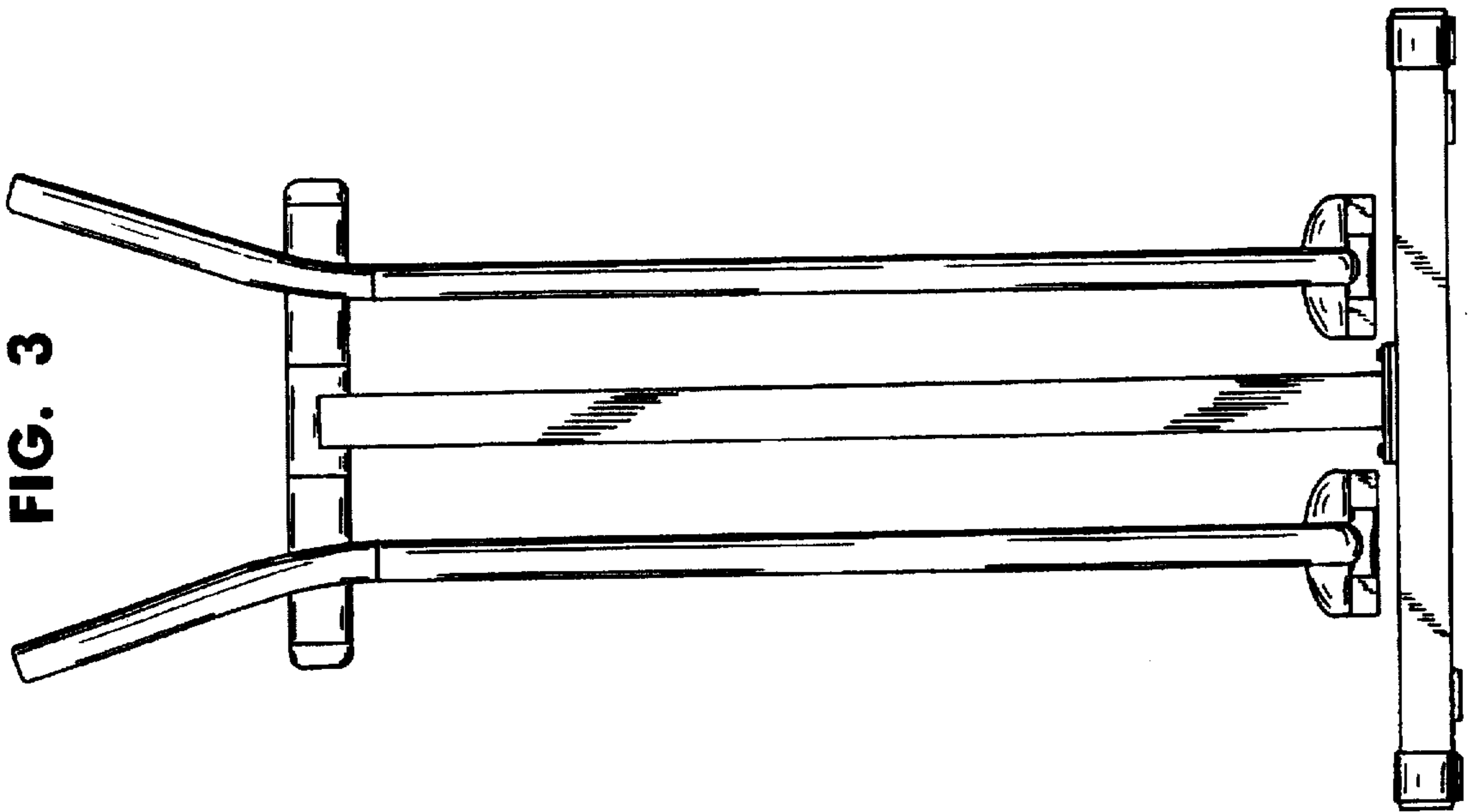


FIG. 3



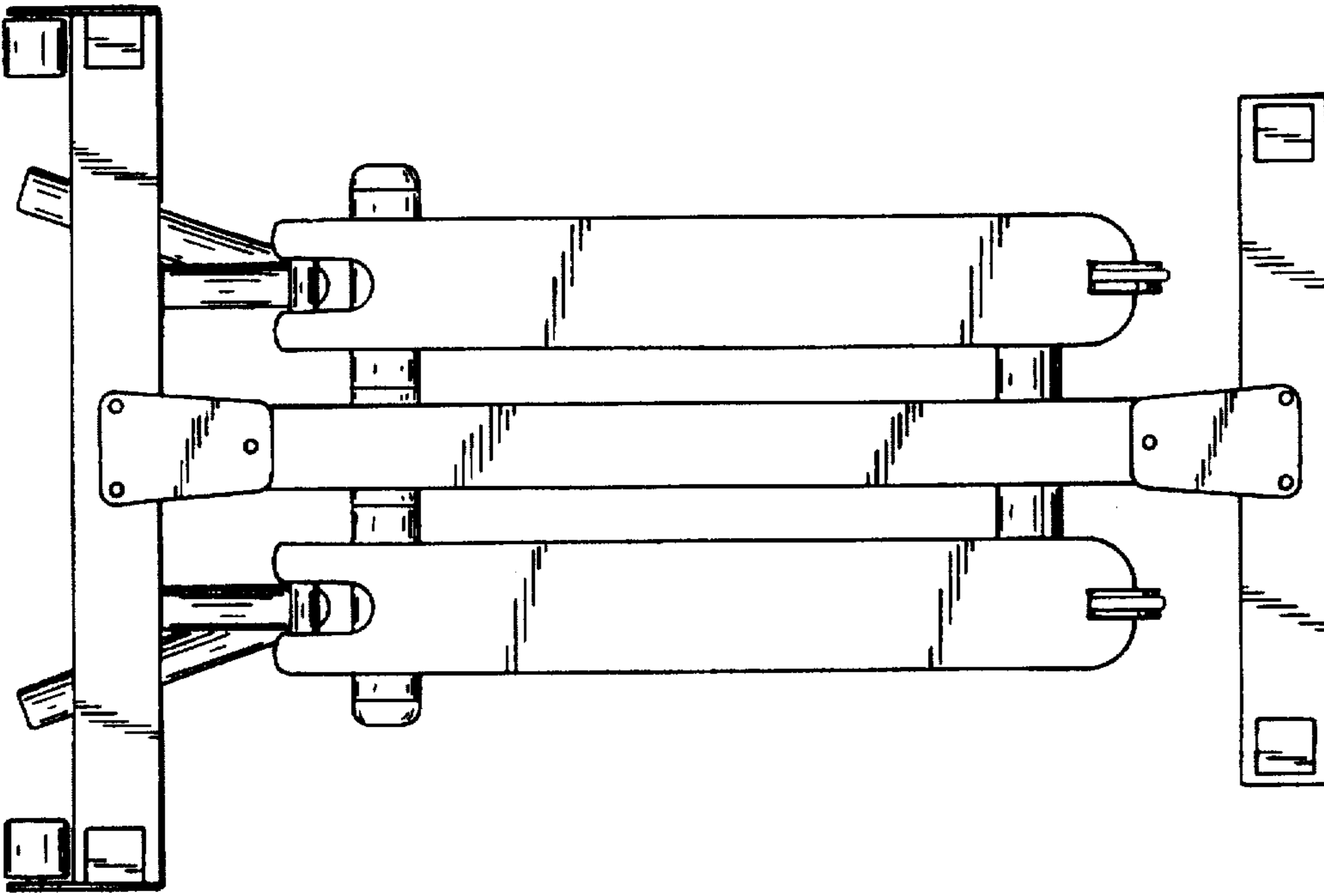


FIG. 7

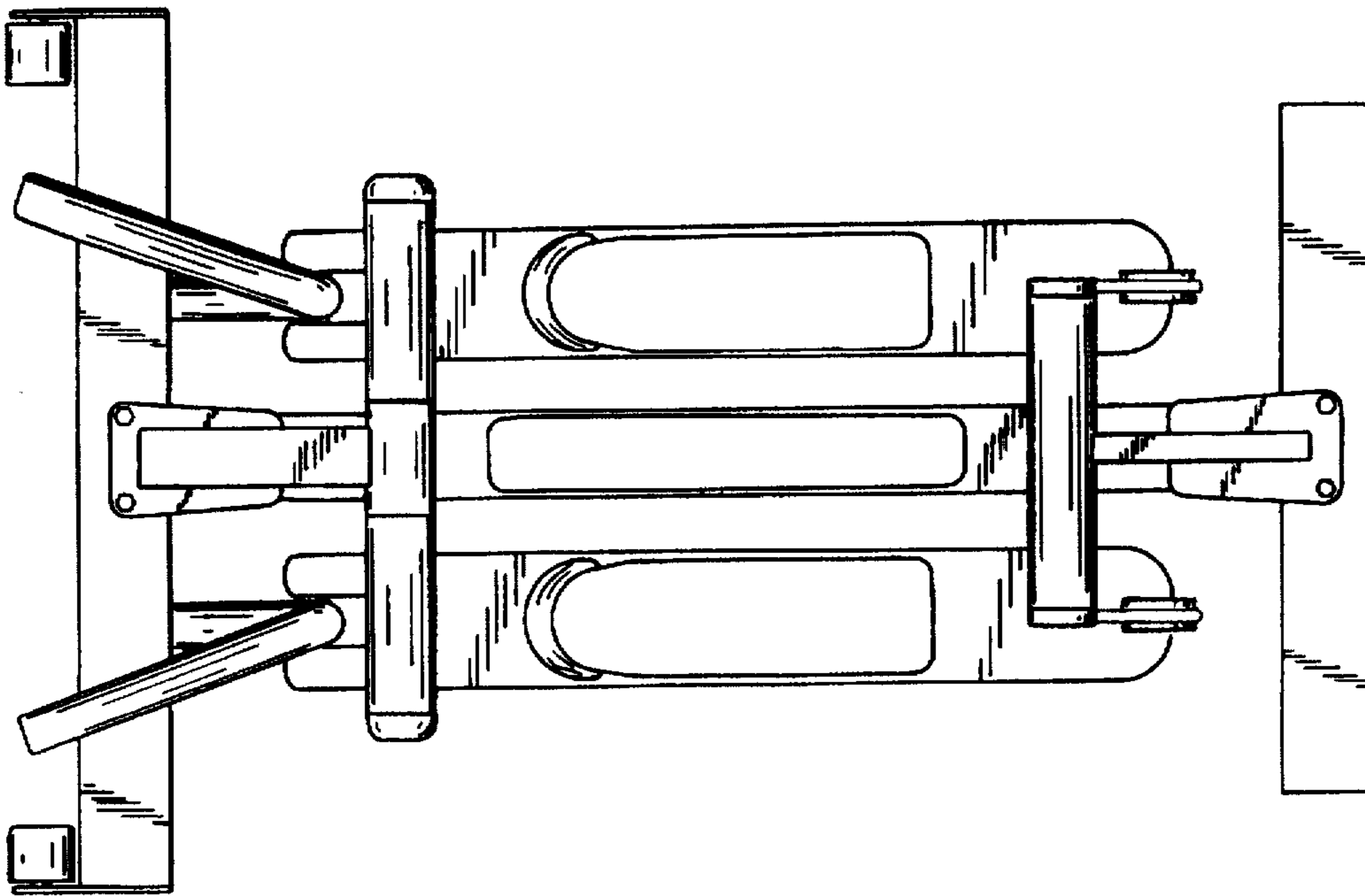


FIG. 4

FIG. 5

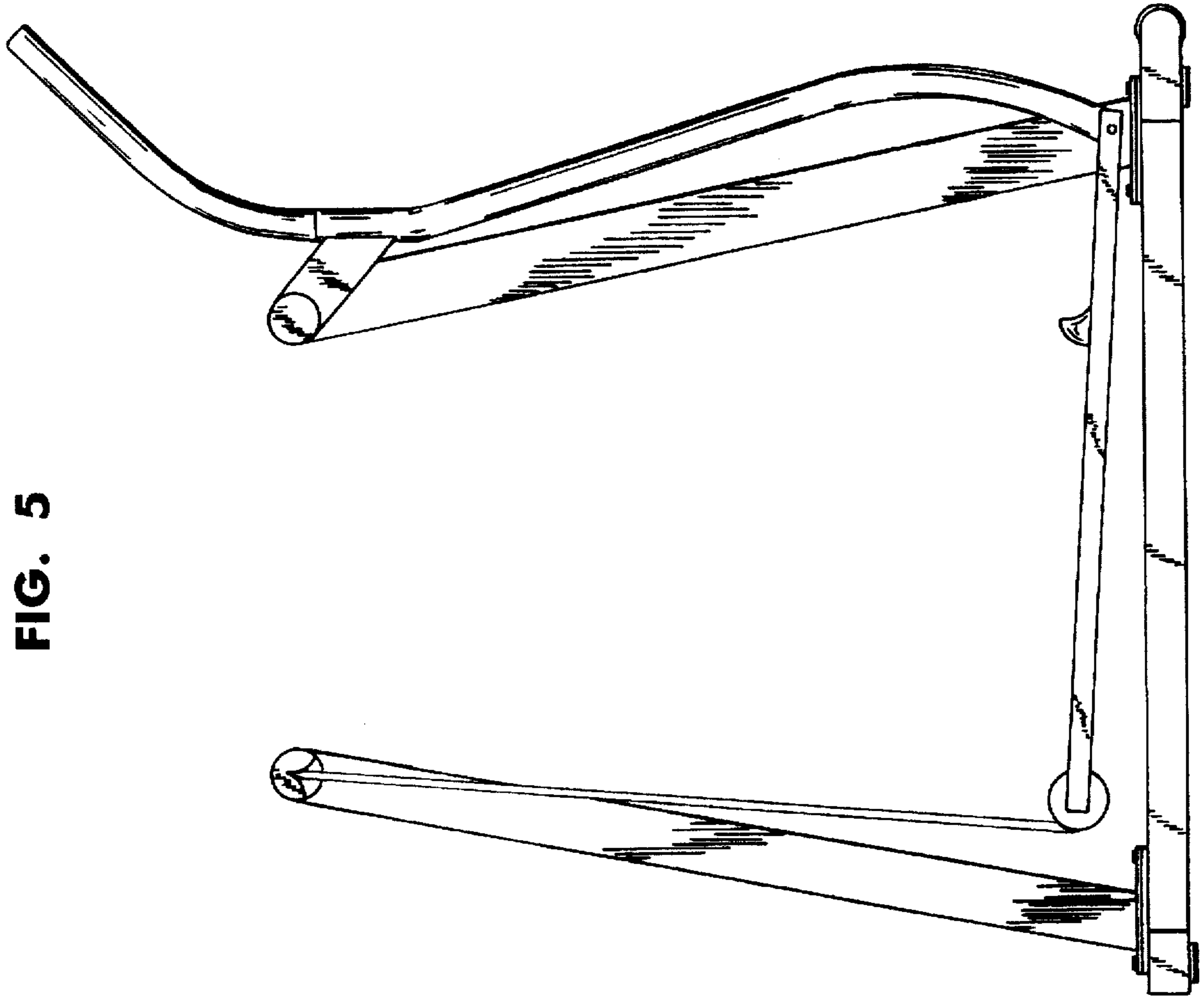


FIG. 6

