



US00D390627S

United States Patent [19]

[11] Patent Number: **Des. 390,627**

Waldman

[45] Date of Patent: ****Feb. 10, 1998**

[54] FISHING POLE HOLDER

[76] Inventor: **Marshall Len Waldman**, 2301 NW.
18th, #7, Oklahoma City, Okla. 73107

[**] Term: **14 Years**

[21] Appl. No.: **59,394**

[22] Filed: **Sep. 10, 1996**

[51] LOC (6) Cl. **22-05**

[52] U.S. Cl. **D22/147**

[58] Field of Search **D22/147, 148;**
81/421; 43/212; D8/52; 248/514, 518, 519,
520, 521, 538

[56] References Cited

U.S. PATENT DOCUMENTS

D. 202,432	9/1965	Turlace, Jr.	D22/147
D. 355,825	2/1995	Moyer	D8/52
D. 356,140	3/1995	Meyer et al.	D22/147
2,877,828	3/1959	Barnette, Jr.	43/21.2 X
3,897,922	8/1975	Keen	248/42
4,177,595	12/1979	Chon	43/21.2
4,372,072	2/1983	Comeau	D22/147 X
5,398,718	3/1995	Roinick, Sr.	81/421
5,537,898	7/1996	Kerr	81/421 X

Primary Examiner—Doris V. Coles
Attorney, Agent, or Firm—Dunlap & Coddling, P.C.

[57] CLAIM

The ornamental design for a fishing pole holder, as shown and described.

DESCRIPTION

FIG. 1 is a perspective view of a first embodiment of a fishing pole holder showing my design;

FIG. 2 is a front elevational view thereof;

FIG. 3 is a rear elevational view thereof;

FIG. 4 is a side elevational view thereof;

FIG. 5 is a side elevational view thereof opposite that shown in FIG. 4;

FIG. 6 is a top plan view thereof;

FIG. 7 is a bottom plan view thereof;

FIG. 8 is a perspective view of a second embodiment of a fishing pole holder showing my new design;

FIG. 9 is a front elevational view thereof;

FIG. 10 is a rear elevational view thereof;

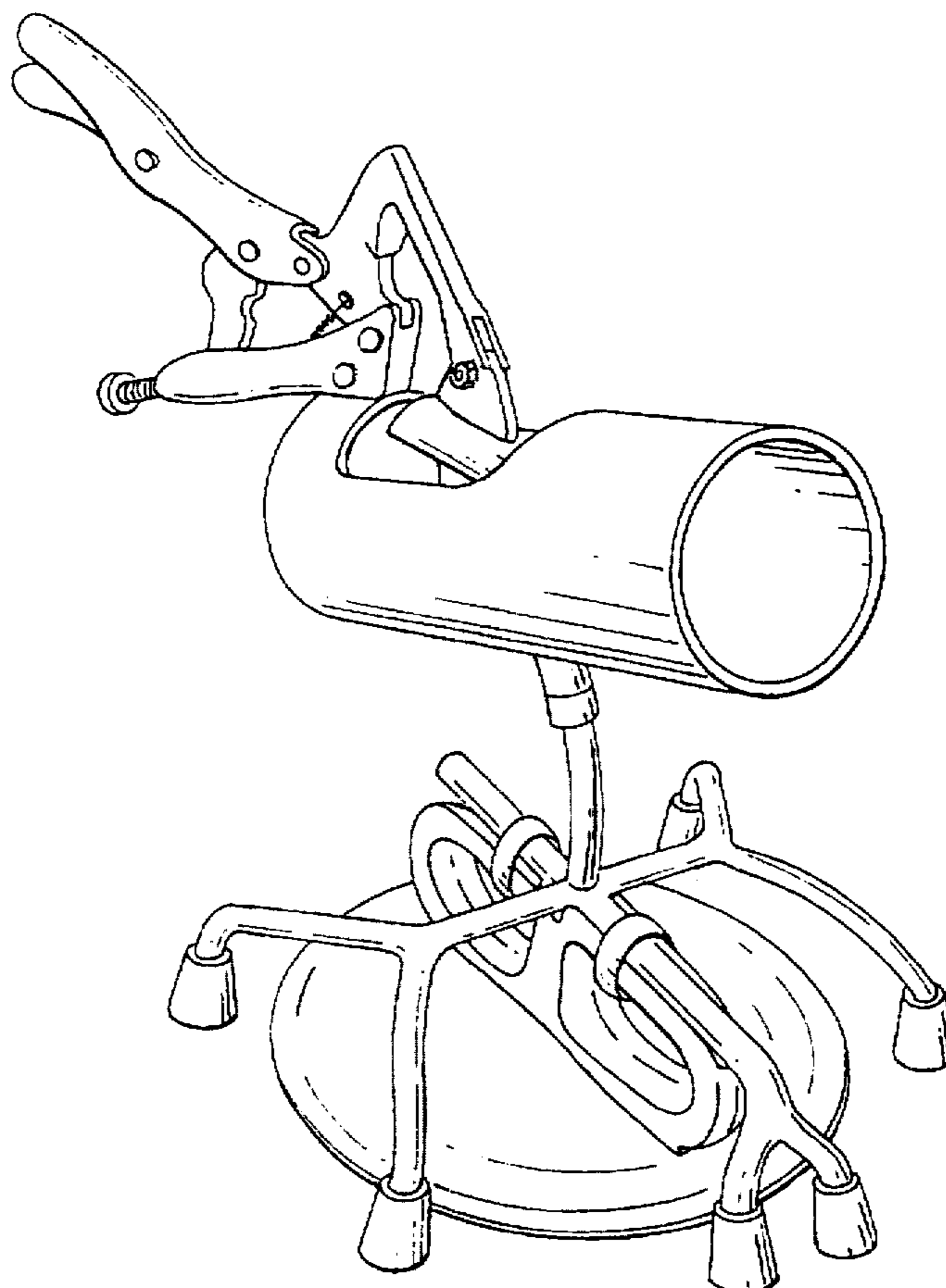
FIG. 11 is a side elevational view thereof;

FIG. 12 is a side elevational view thereof opposite that shown in FIG. 11;

FIG. 13 is a top plan view thereof; and,

FIG. 14 is a bottom plan view thereof.

1 Claim, 6 Drawing Sheets



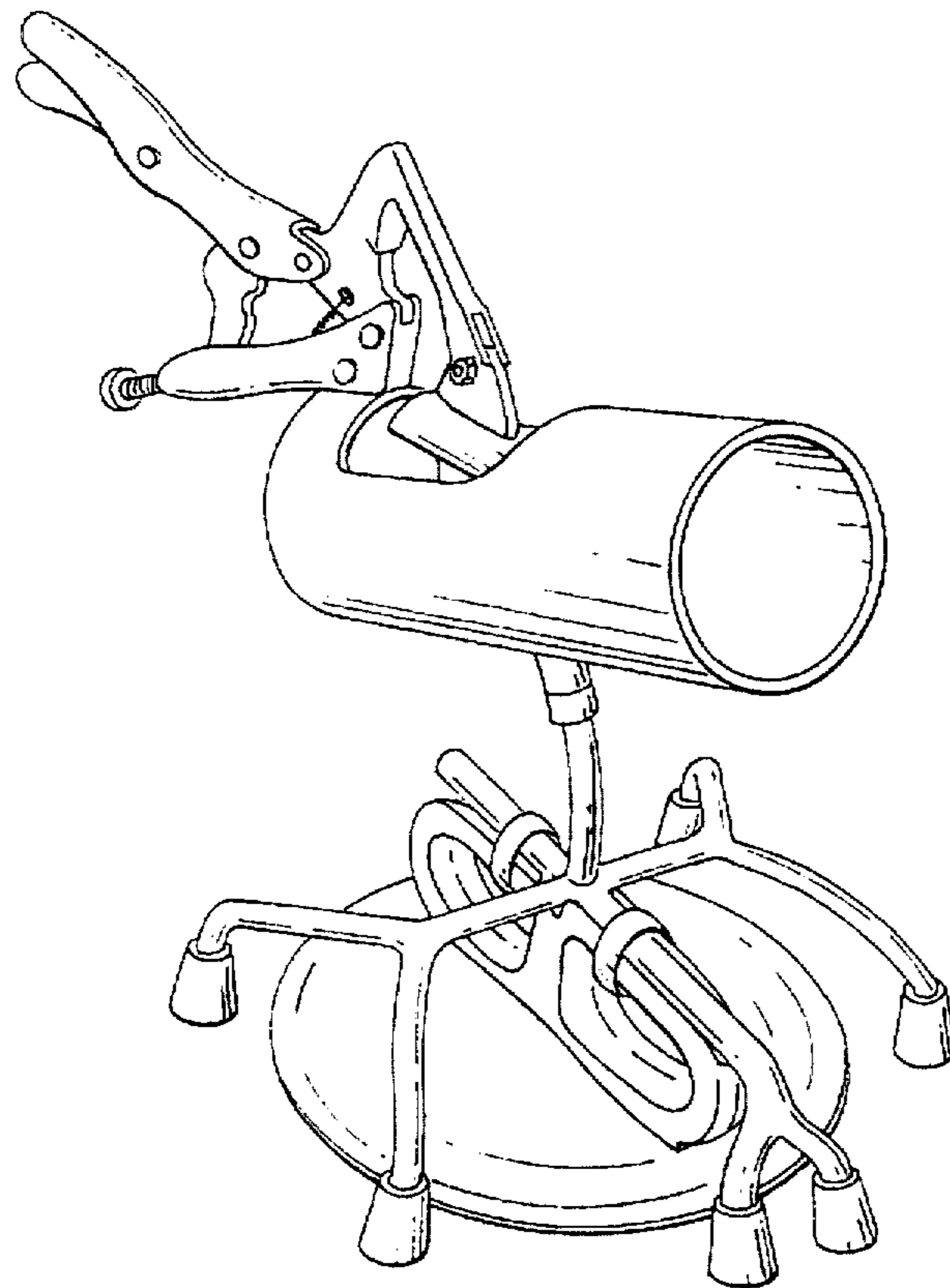


FIG. 1

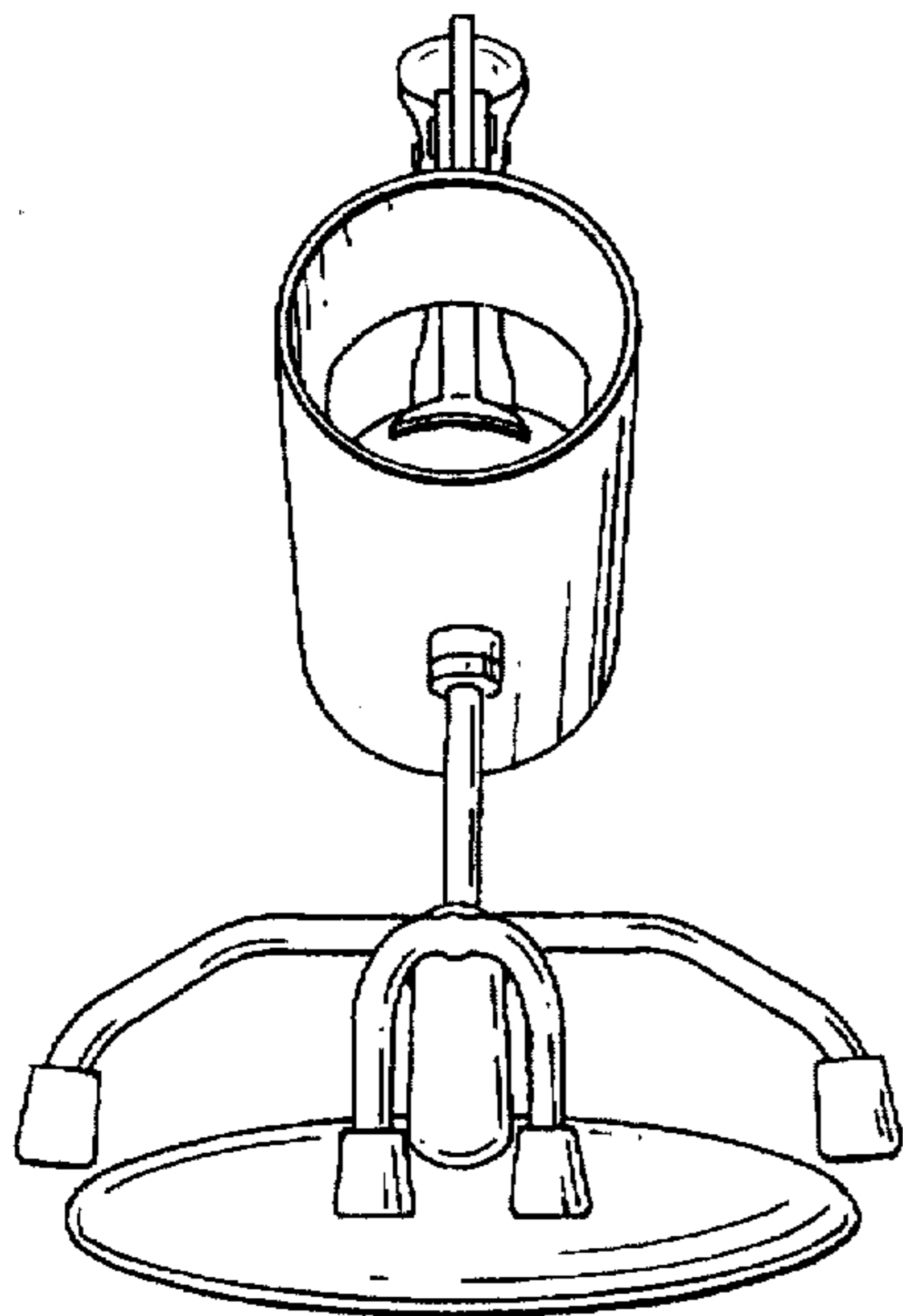


FIG. 2

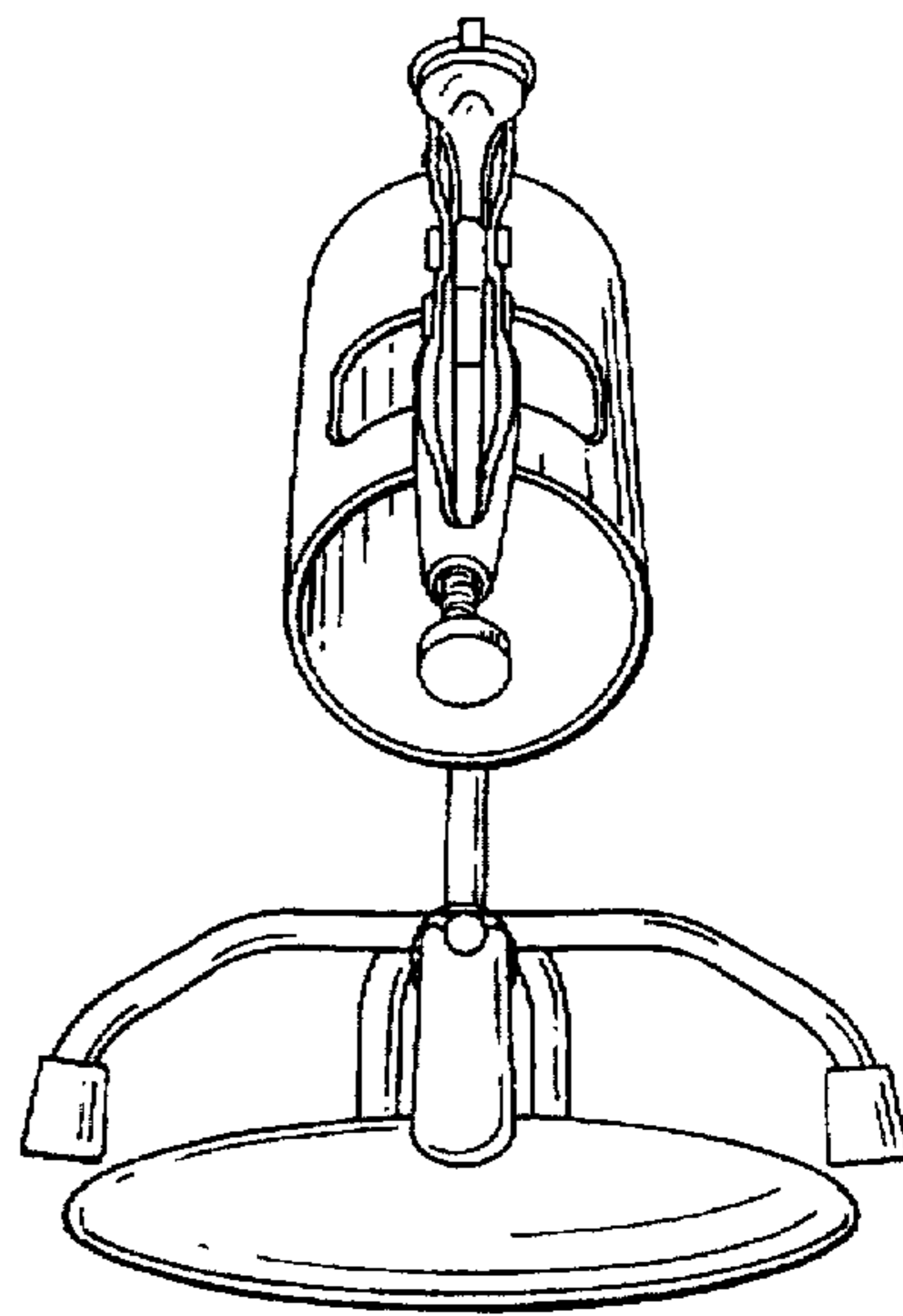


FIG. 3

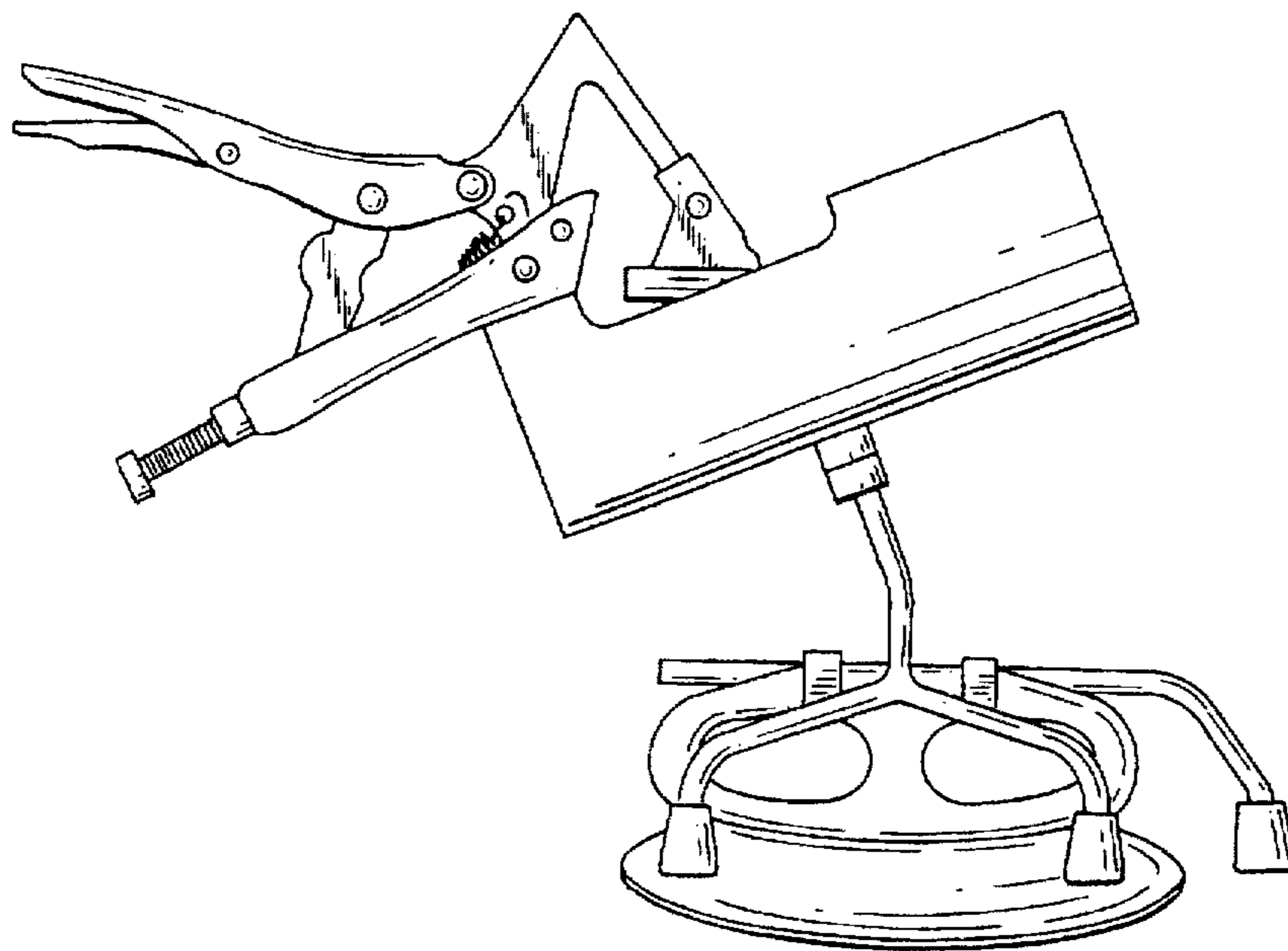


FIG. 4

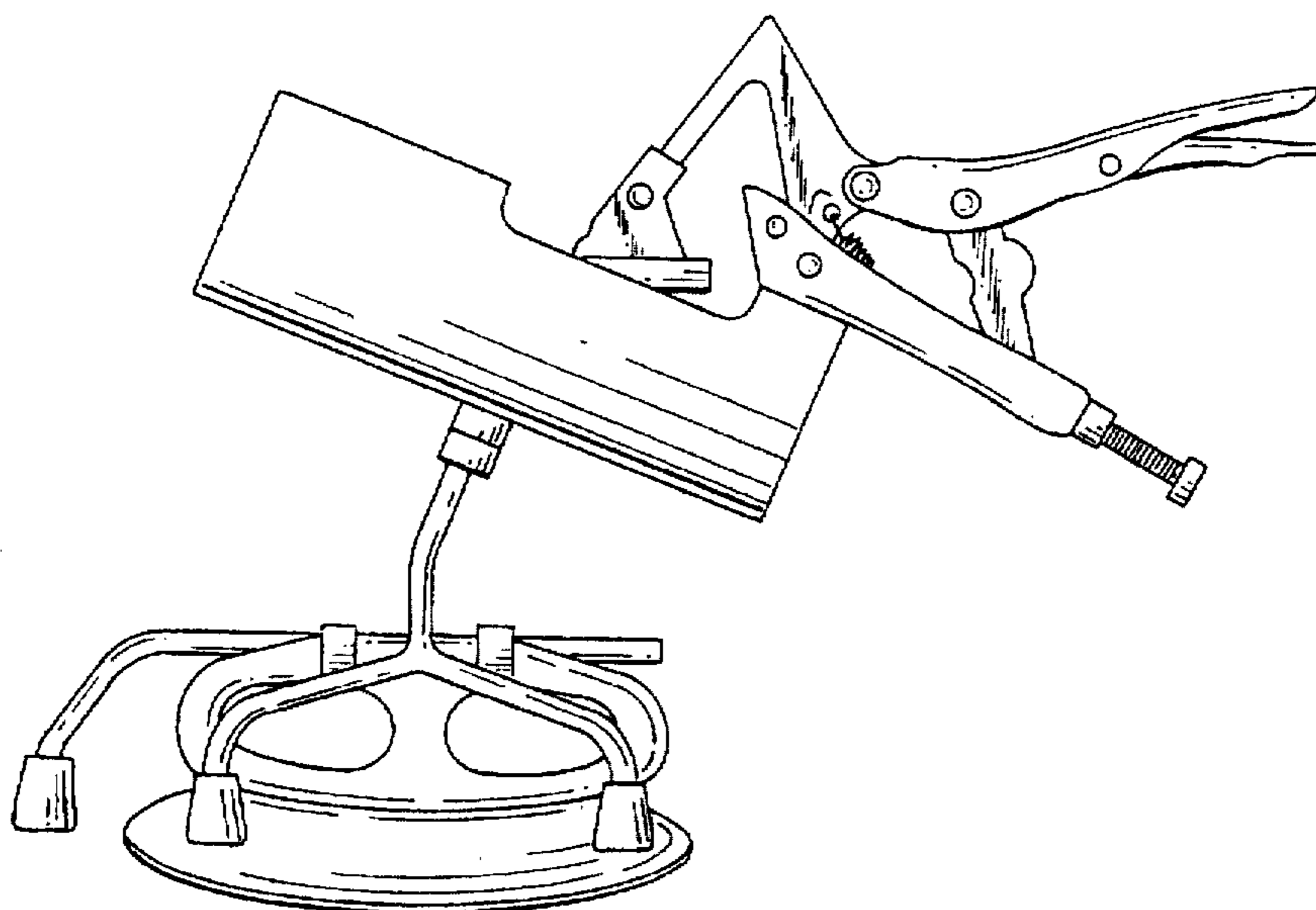


FIG. 5

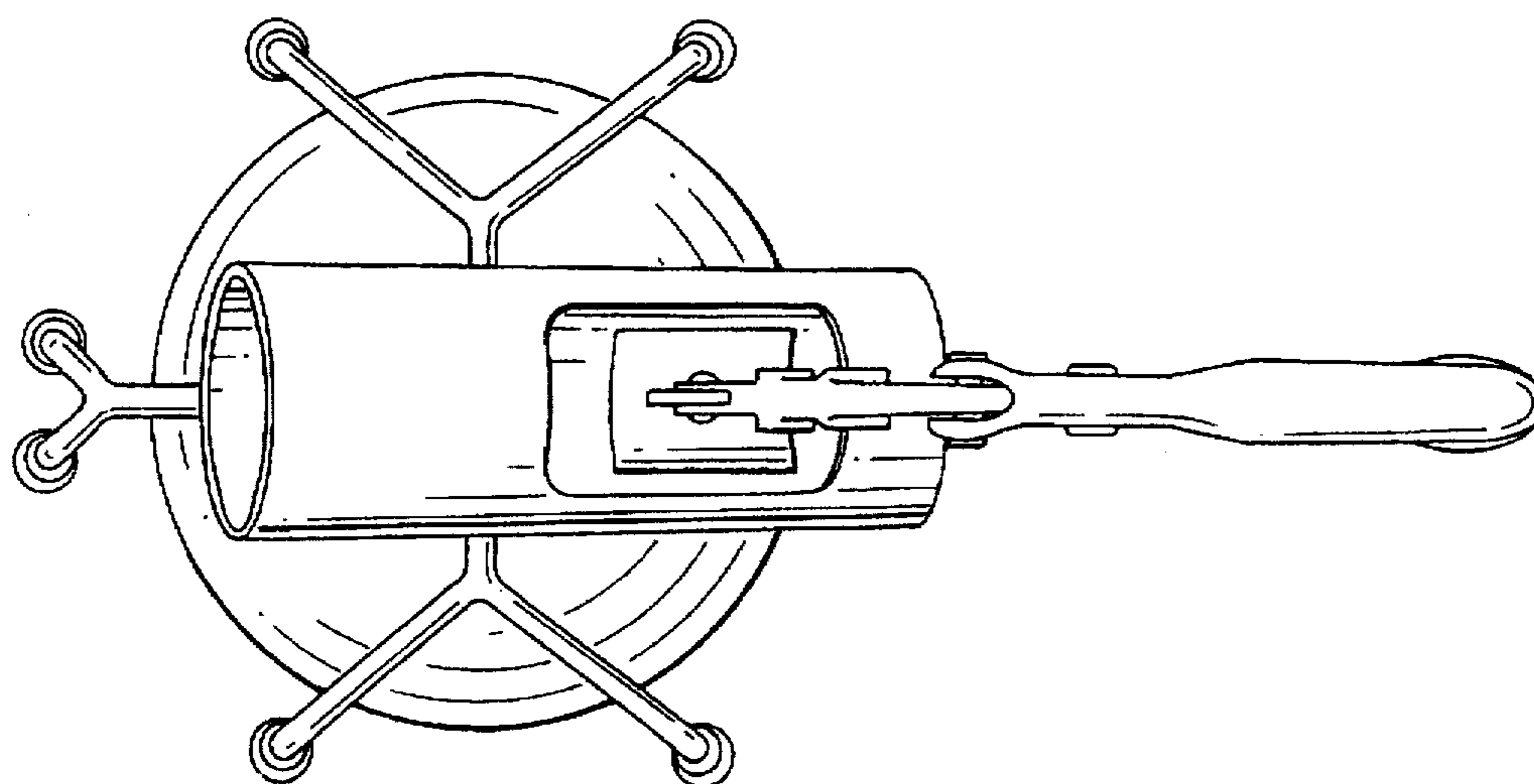


FIG. 6

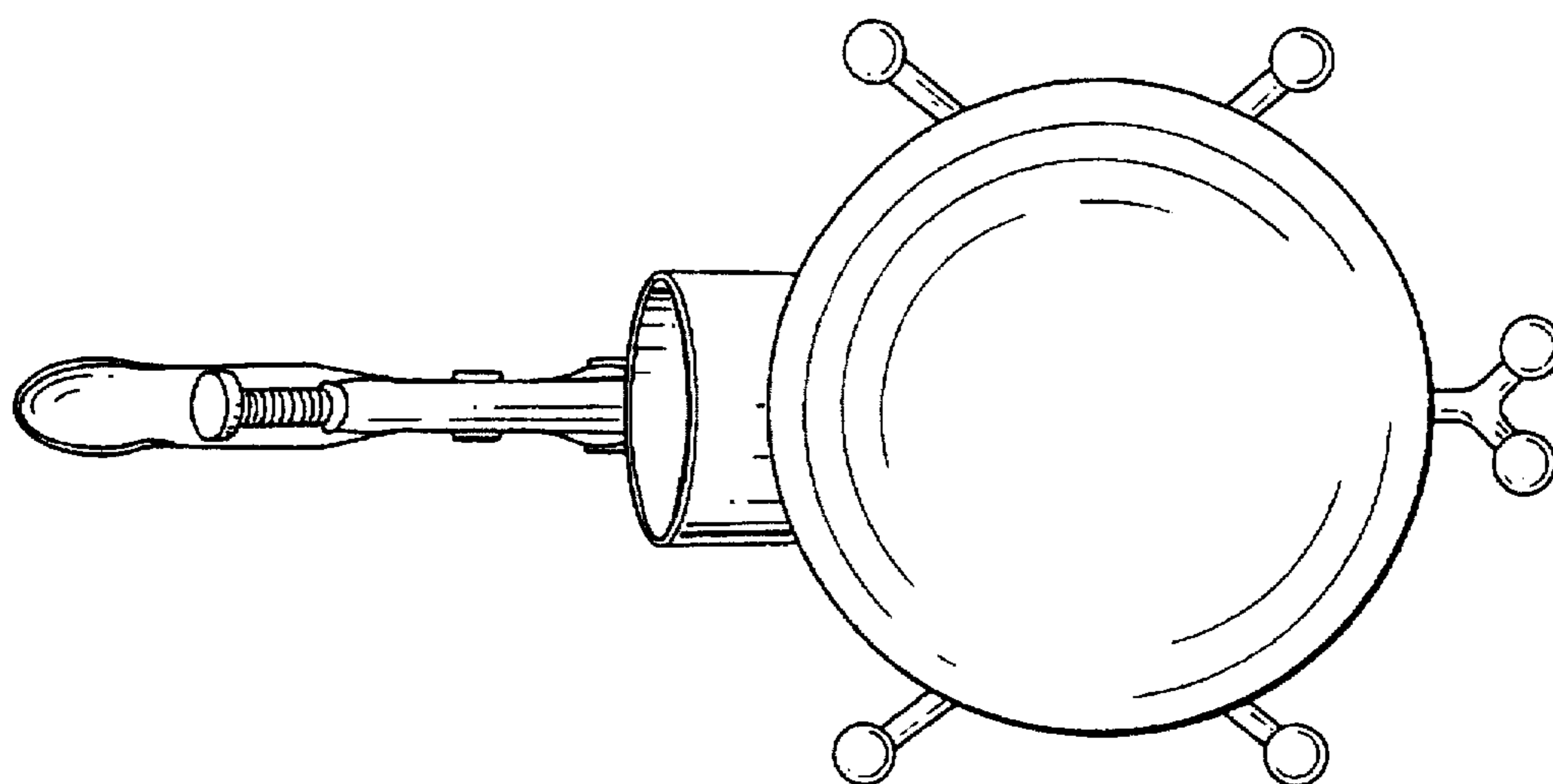
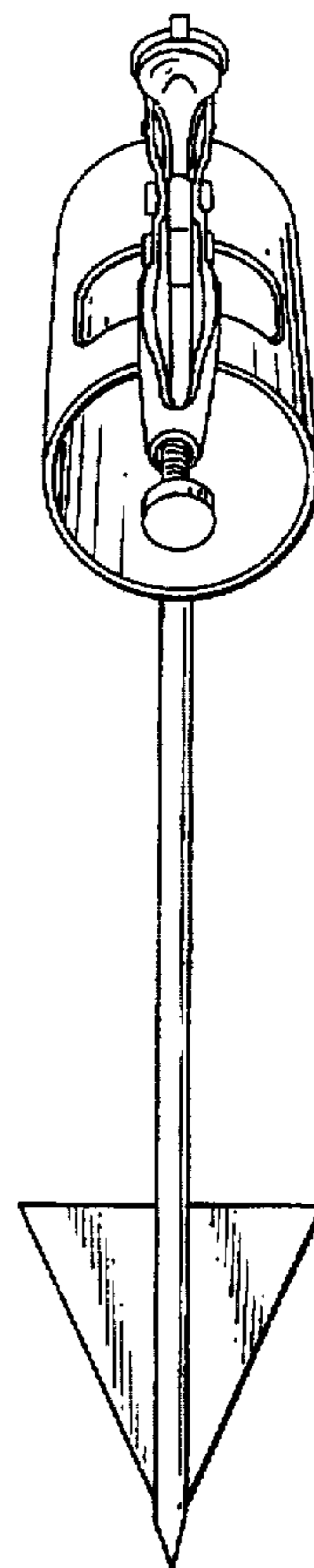
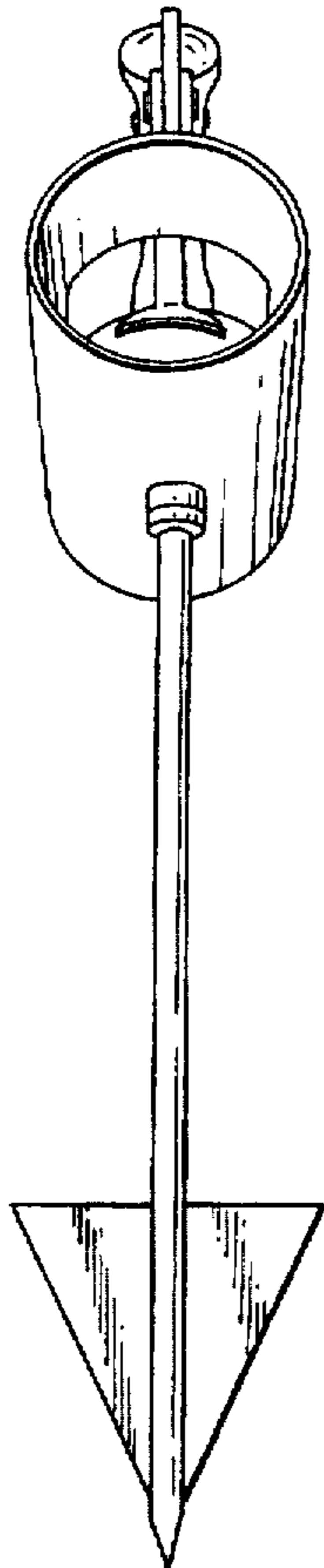
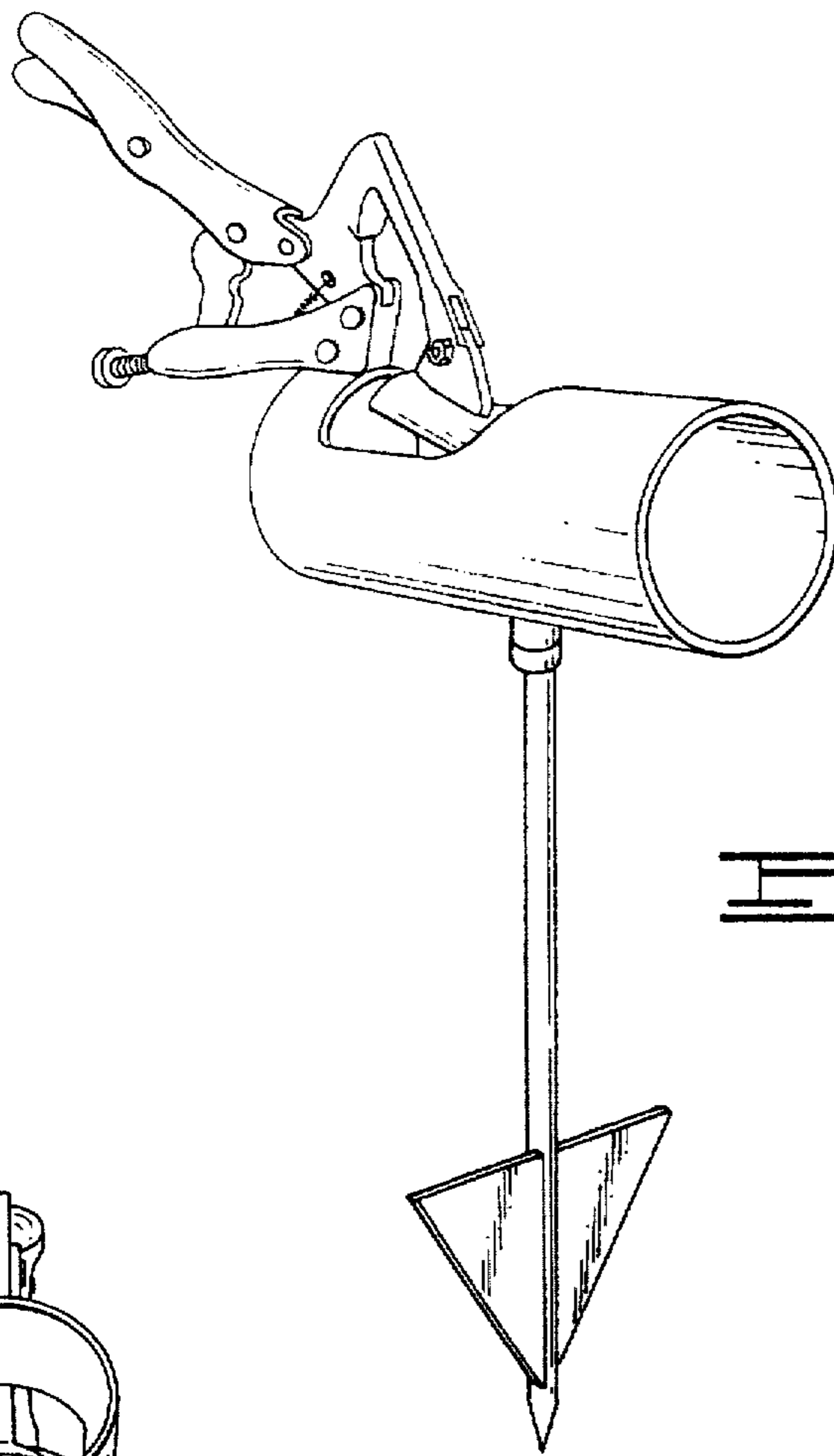


FIG. 7



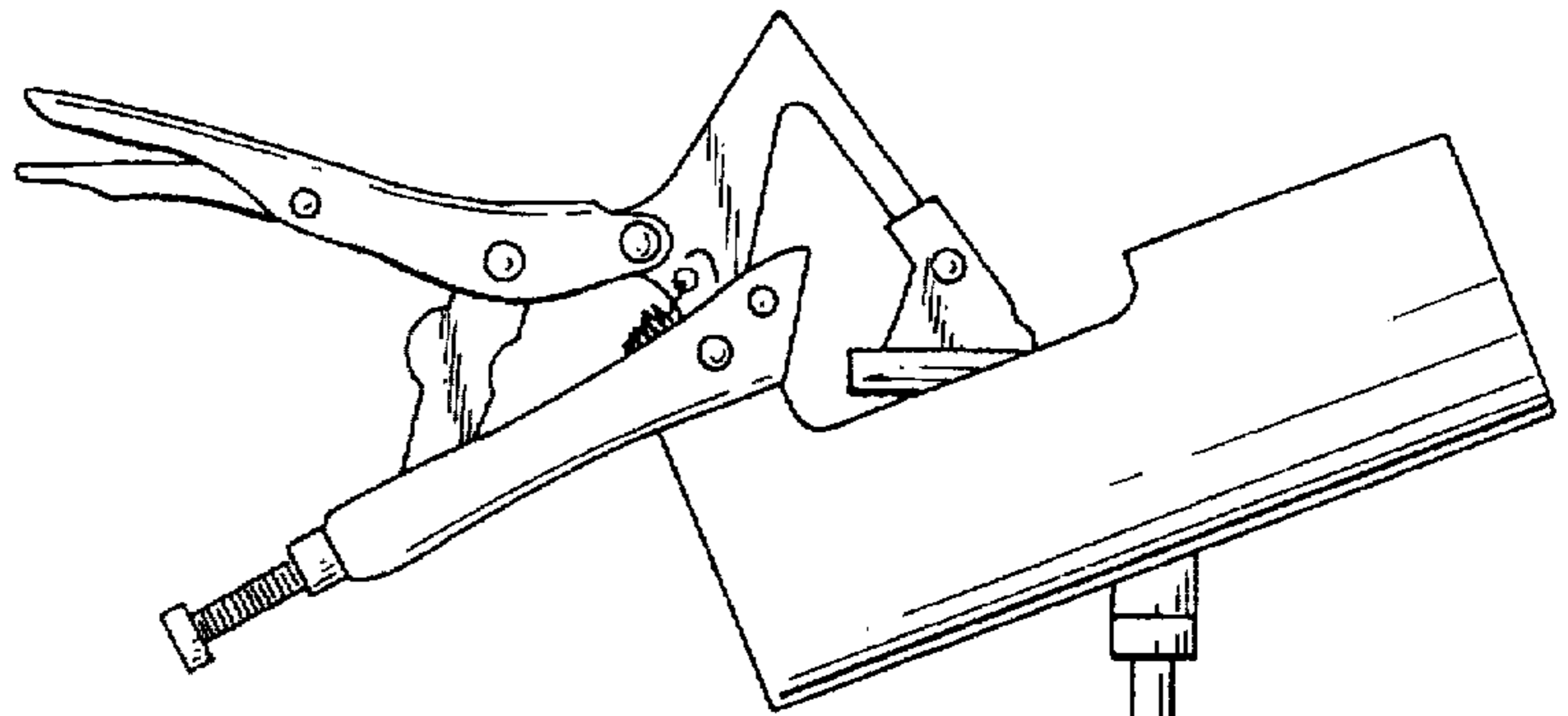


FIG. 11

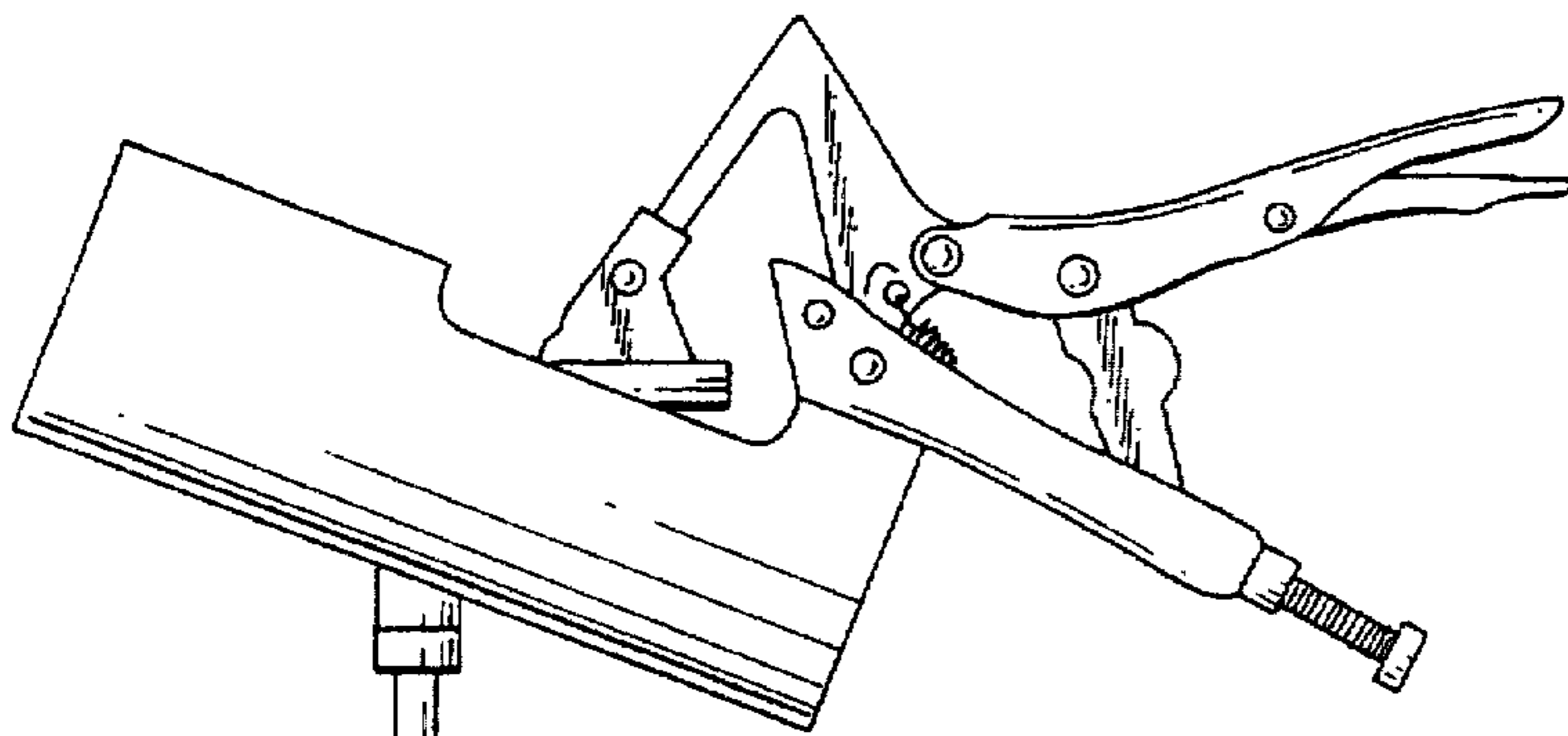


FIG. 12

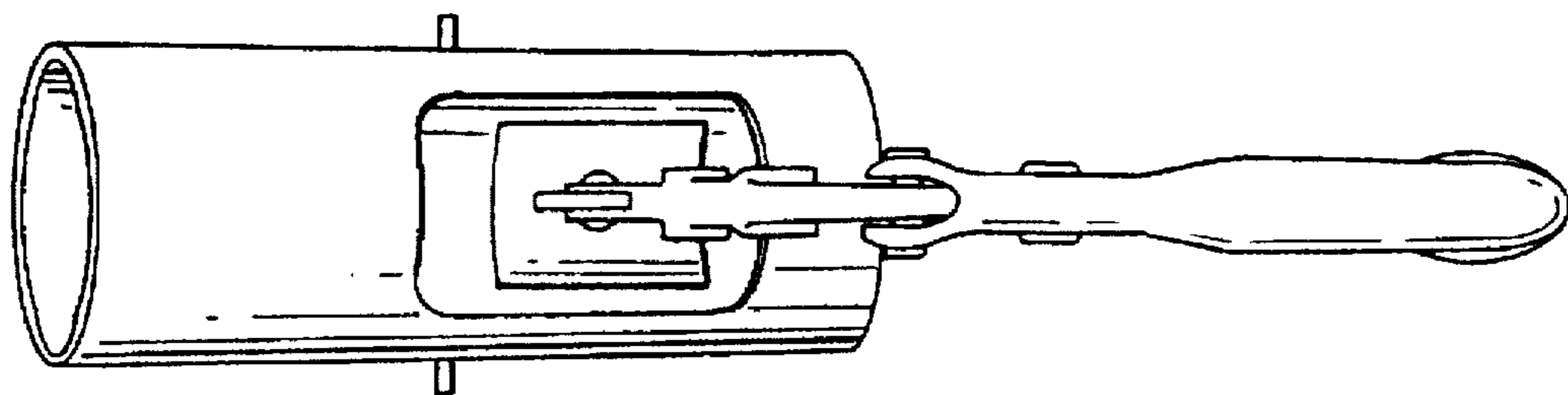


FIG. 13

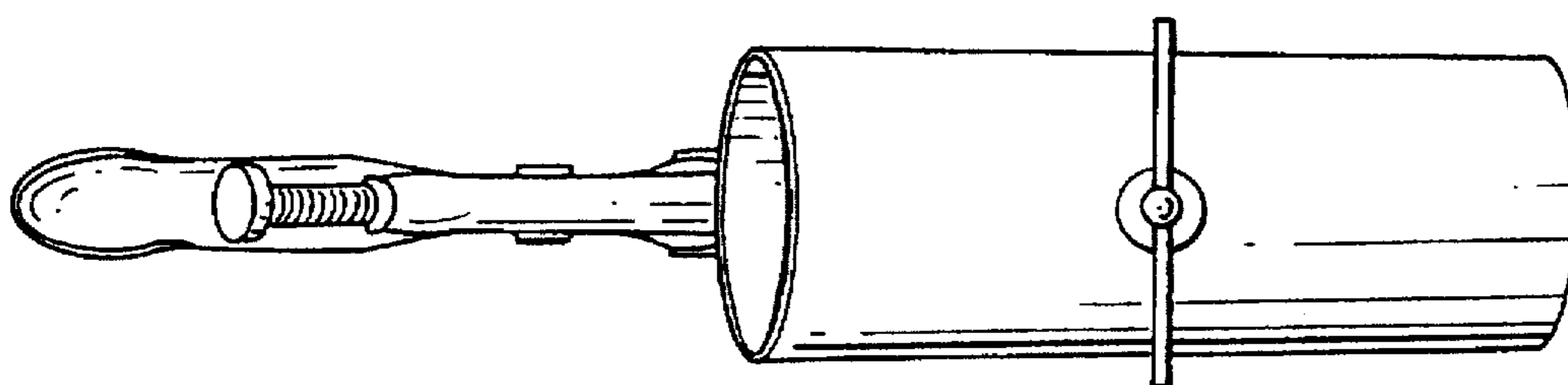


FIG. 14