



US00D390624S

# United States Patent [19] Yamaguchi

[11] Patent Number: **Des. 390,624**  
[45] Date of Patent: **\*\*Feb. 10, 1998**

[54] **SPOOL FOR A FISHING REEL**

954950-1 6/1996 Japan .  
954950-2 6/1996 Japan .

[75] Inventor: **Kaname Yamaguchi**, Higashikurume, Japan

*Primary Examiner*—Doris V. Coles  
*Attorney, Agent, or Firm*—Laff, Whitesel, Conte & Saret, Ltd.

[73] Assignee: **Daiwa Seiko, Inc.**, Tokyo, Japan

[\*\*] Term: **14 Years**

### [57] CLAIM

[21] Appl. No.: **60,157**

The ornamental design for a spool for a fishing reel, as shown and described.

[22] Filed: **Sep. 23, 1996**

### DESCRIPTION

### [30] Foreign Application Priority Data

Mar. 26, 1996 [JP] Japan ..... 8-8327  
Mar. 26, 1996 [JP] Japan ..... 8-8328

FIG. 1 is a front and right side perspective view of a spool for a fishing reel, showing my new design;  
FIG. 2 is a rear and left side perspective view thereof;  
FIG. 3 is a front elevational view thereof, a rear elevational view being a mirror image;  
FIG. 4 is a left side elevational view thereof;  
FIG. 5 is a right side elevational view thereof;  
FIG. 6 is a top plan view thereof, a bottom plan view being a mirror image;  
FIG. 7 is a cross-sectional view thereof taken along the line 7—7 in FIG. 3;  
FIG. 8 is a front and right side perspective view of a second embodiment of the spool for a fishing reel;  
FIG. 9 is a rear and left side perspective view thereof;  
FIG. 10 is a front elevational view thereof, a rear elevational view being a mirror image;  
FIG. 11 is a left side elevational view thereof;  
FIG. 12 is a right side elevational view thereof;  
FIG. 13 is a top plan view thereof, a bottom plan view being a mirror image;  
FIG. 14 is a cross-sectional view thereof taken along the line 14—14 in FIG. 10.

[51] LOC (6) Cl. .... **22-05**

[52] U.S. Cl. .... **D22/137**

[58] Field of Search ..... D22/137, 140,  
D22/142, 138; 242/118.4, 322, 118.7, 129.5,  
129.7, 118.3, 118.6, 613.1, 613.2

### [56] References Cited

#### U.S. PATENT DOCUMENTS

D. 274,832 7/1984 Sugimoto ..... D22/137  
D. 278,359 4/1985 Sugimoto ..... D22/137  
D. 290,732 7/1987 Yamaguchi ..... D22/137  
D. 290,986 7/1987 Yamaguchi ..... D22/137  
2,344,665 3/1944 Adams ..... 242/118.7  
4,746,079 5/1988 Newell ..... 242/118.4  
5,497,954 3/1996 Johansson ..... 242/322  
5,507,443 4/1996 Miyazaki ..... 242/322

#### FOREIGN PATENT DOCUMENTS

782223 2/1990 Japan .  
782223-1 3/1990 Japan .

**1 Claim, 4 Drawing Sheets**

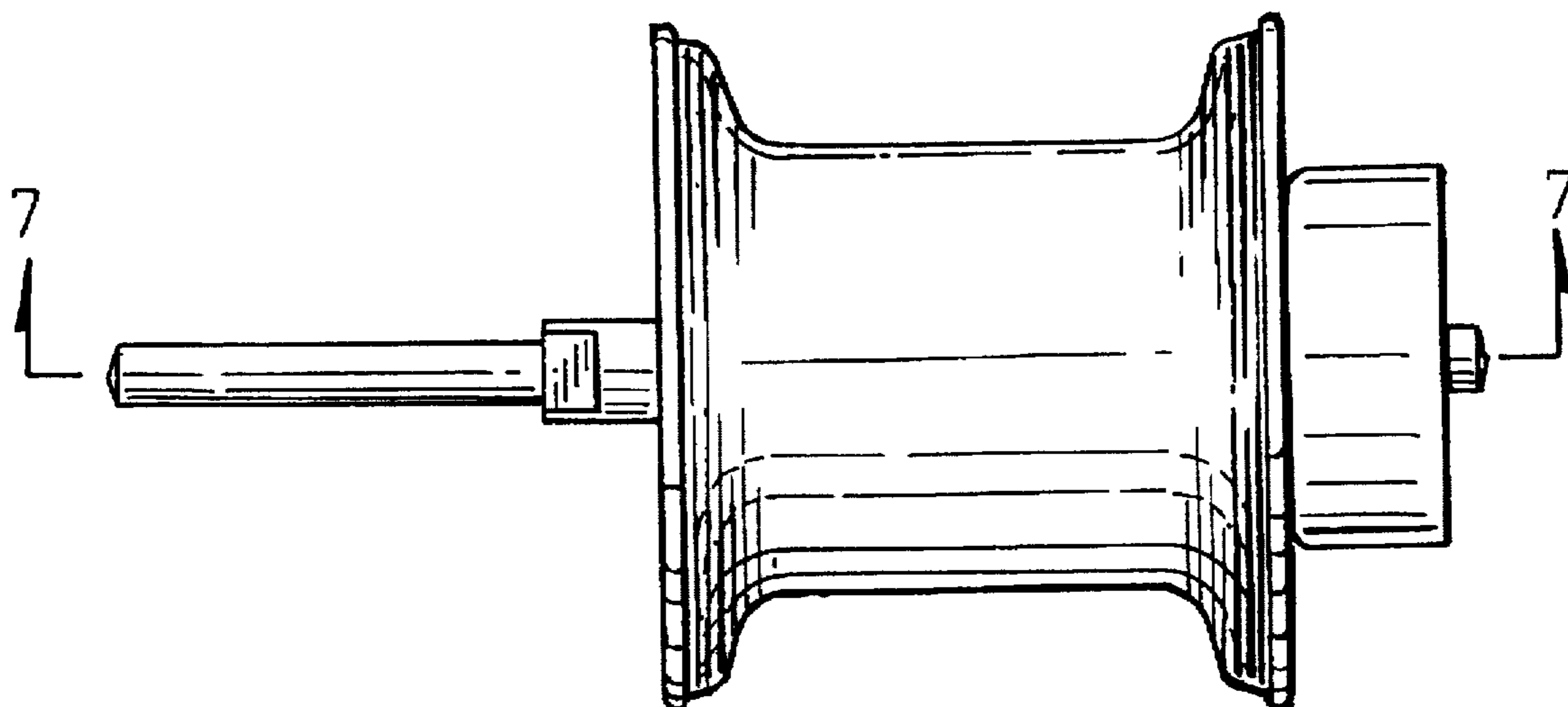


FIG. 1

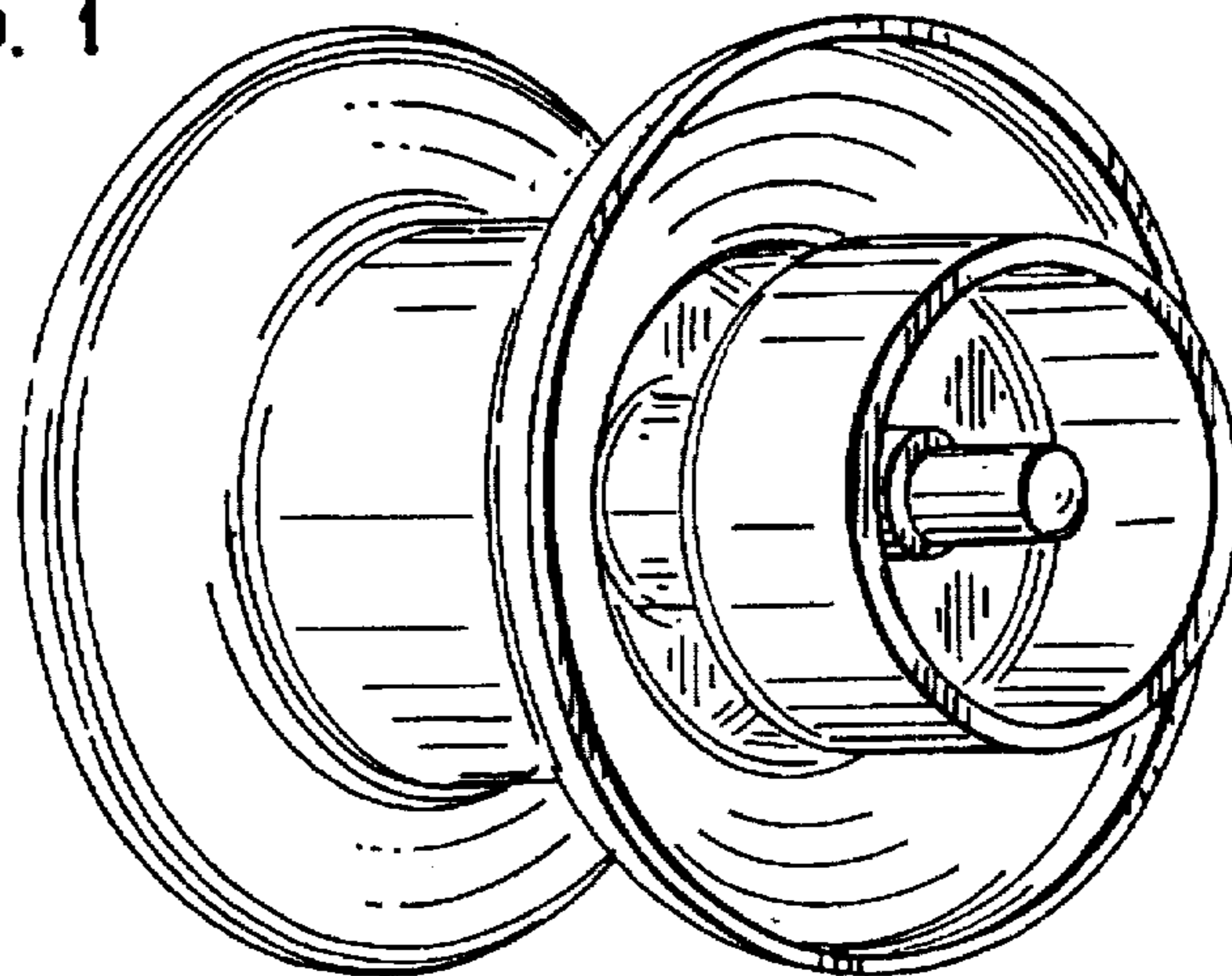


FIG. 2

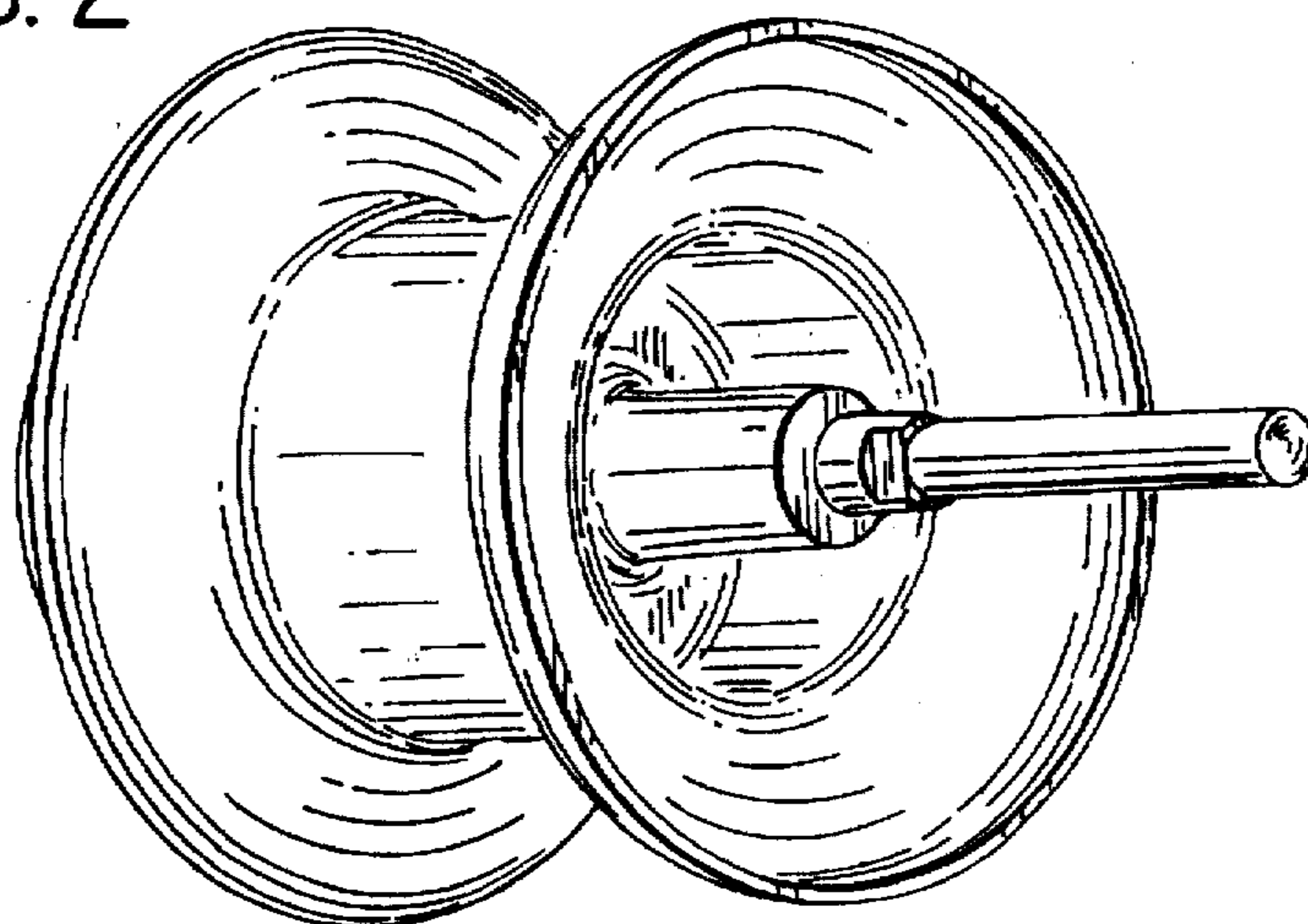


FIG. 7

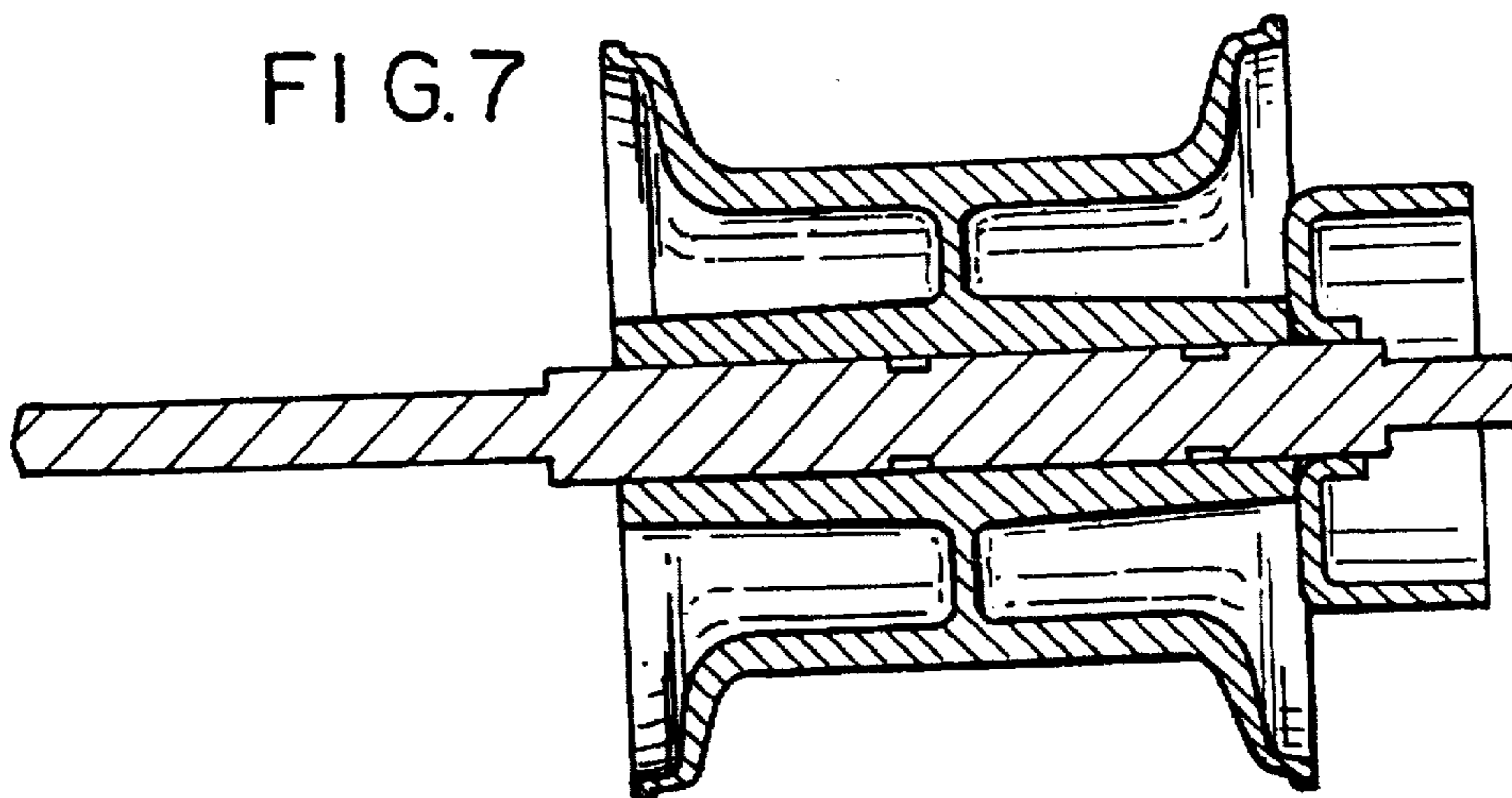


FIG. 3

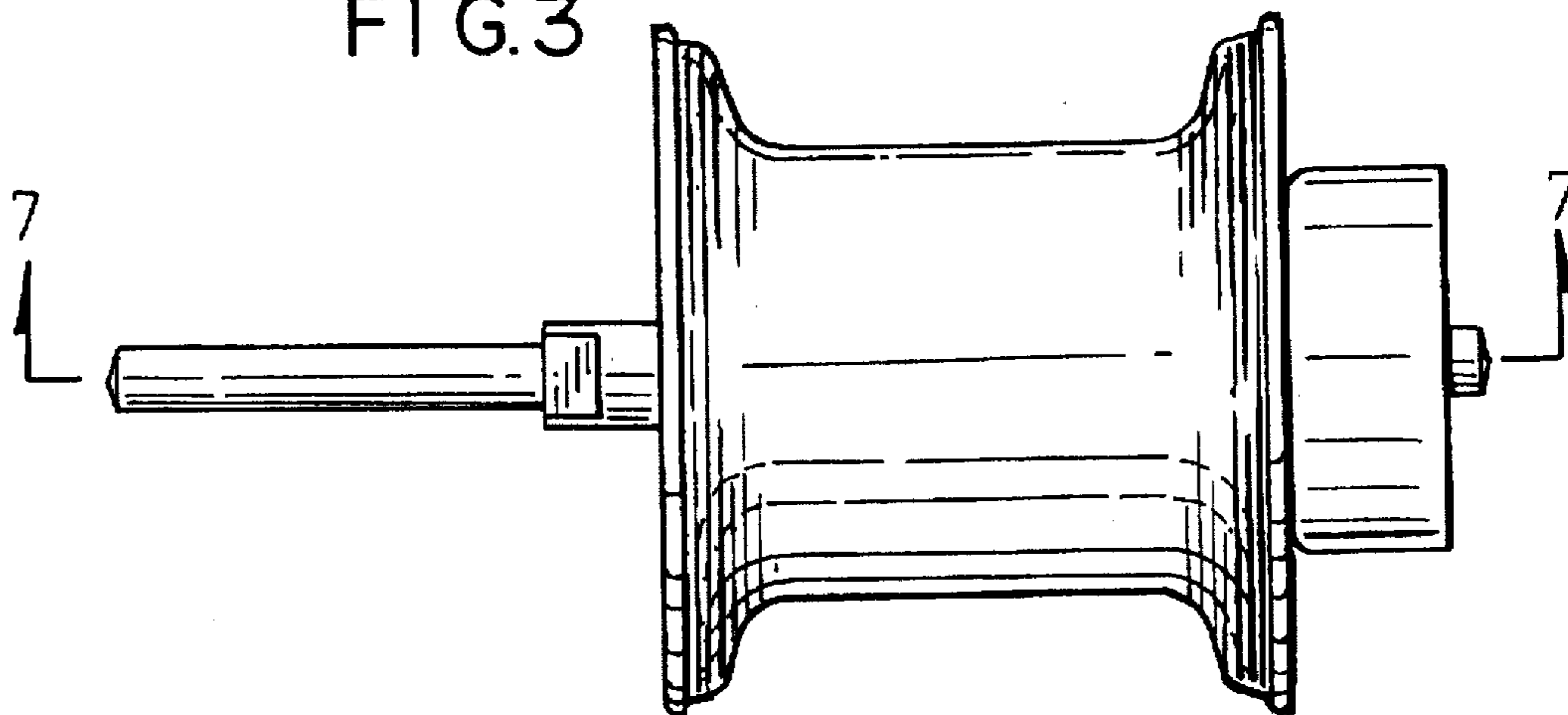


FIG. 4

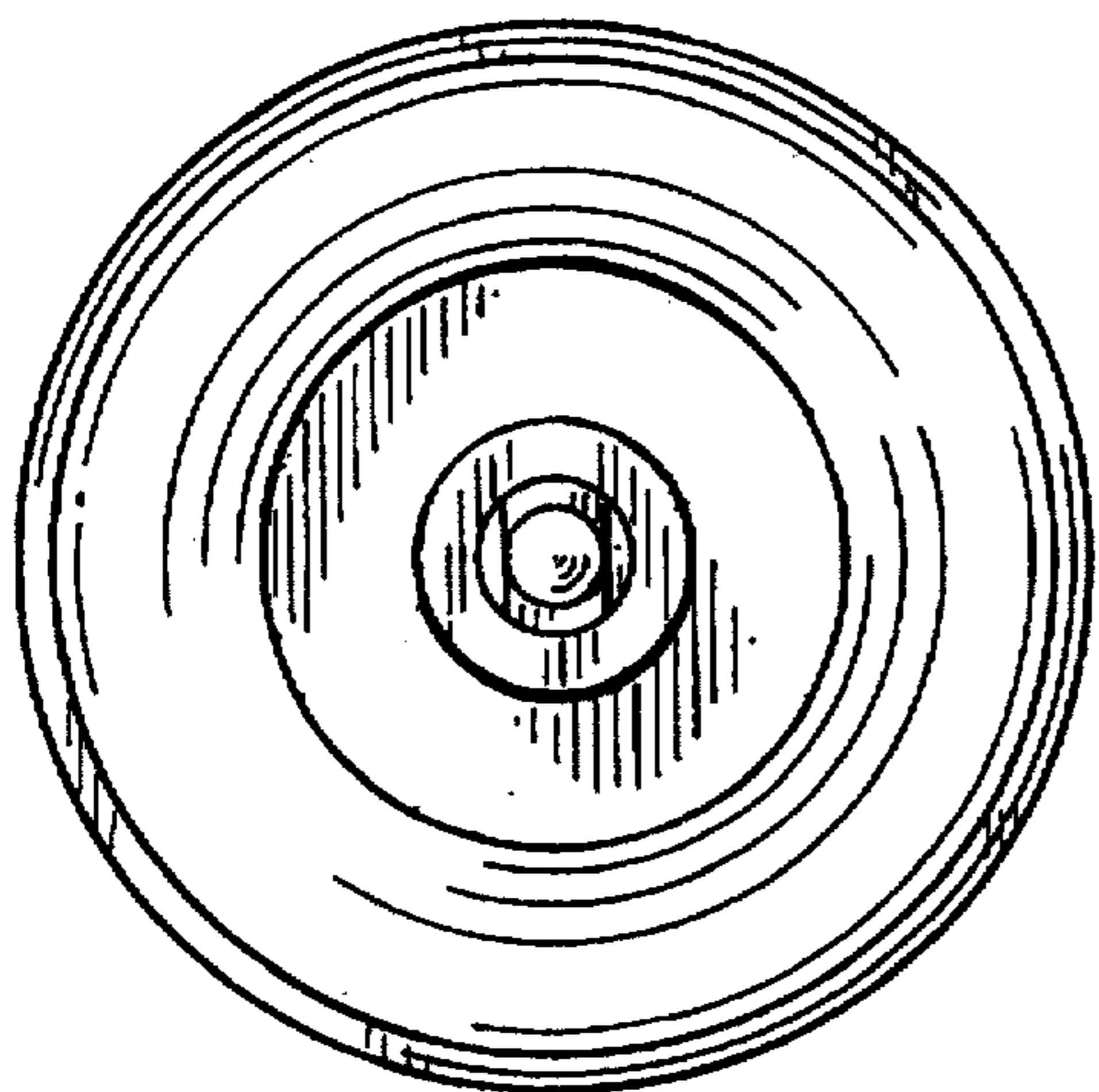


FIG. 5

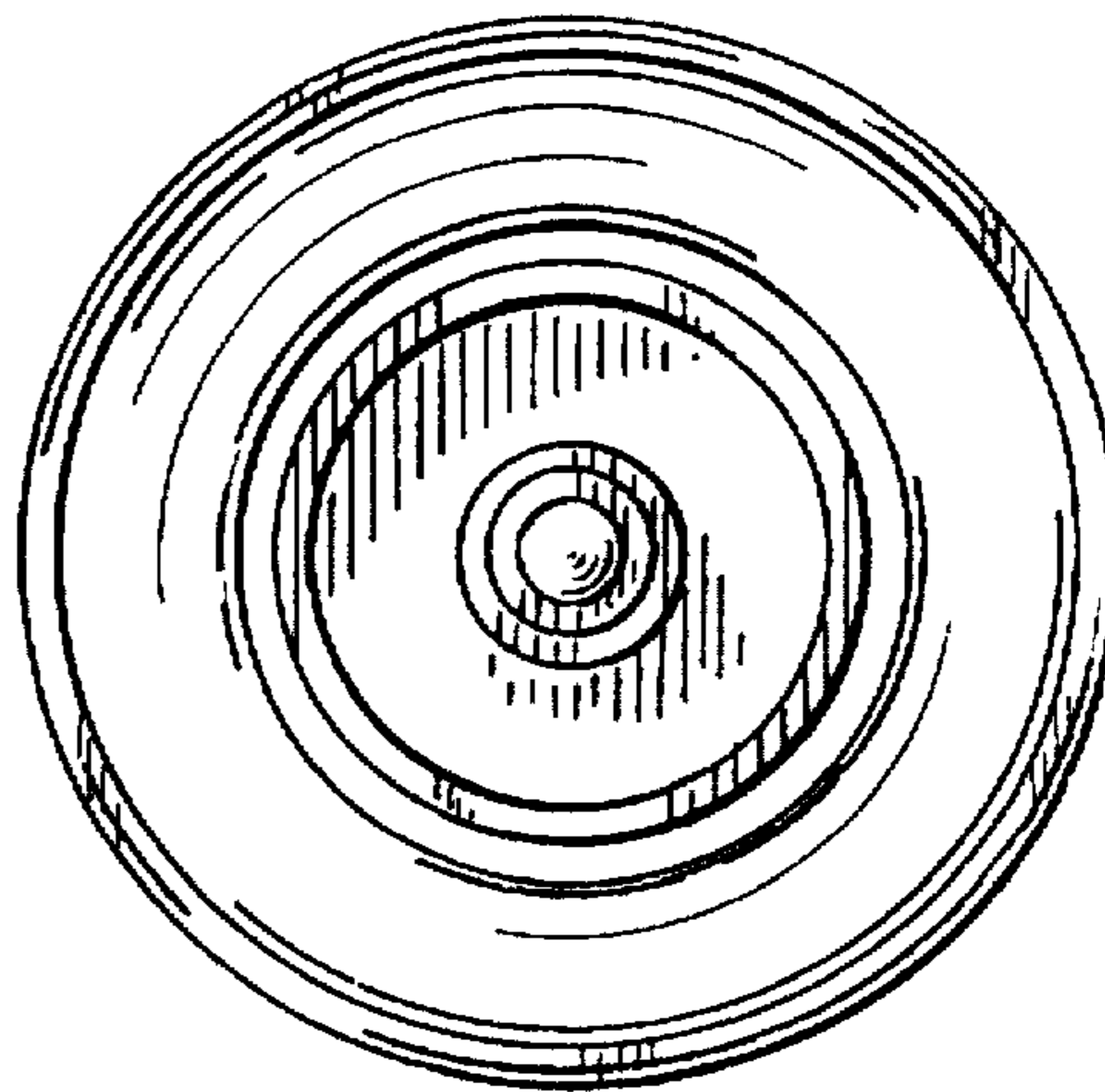


FIG. 6

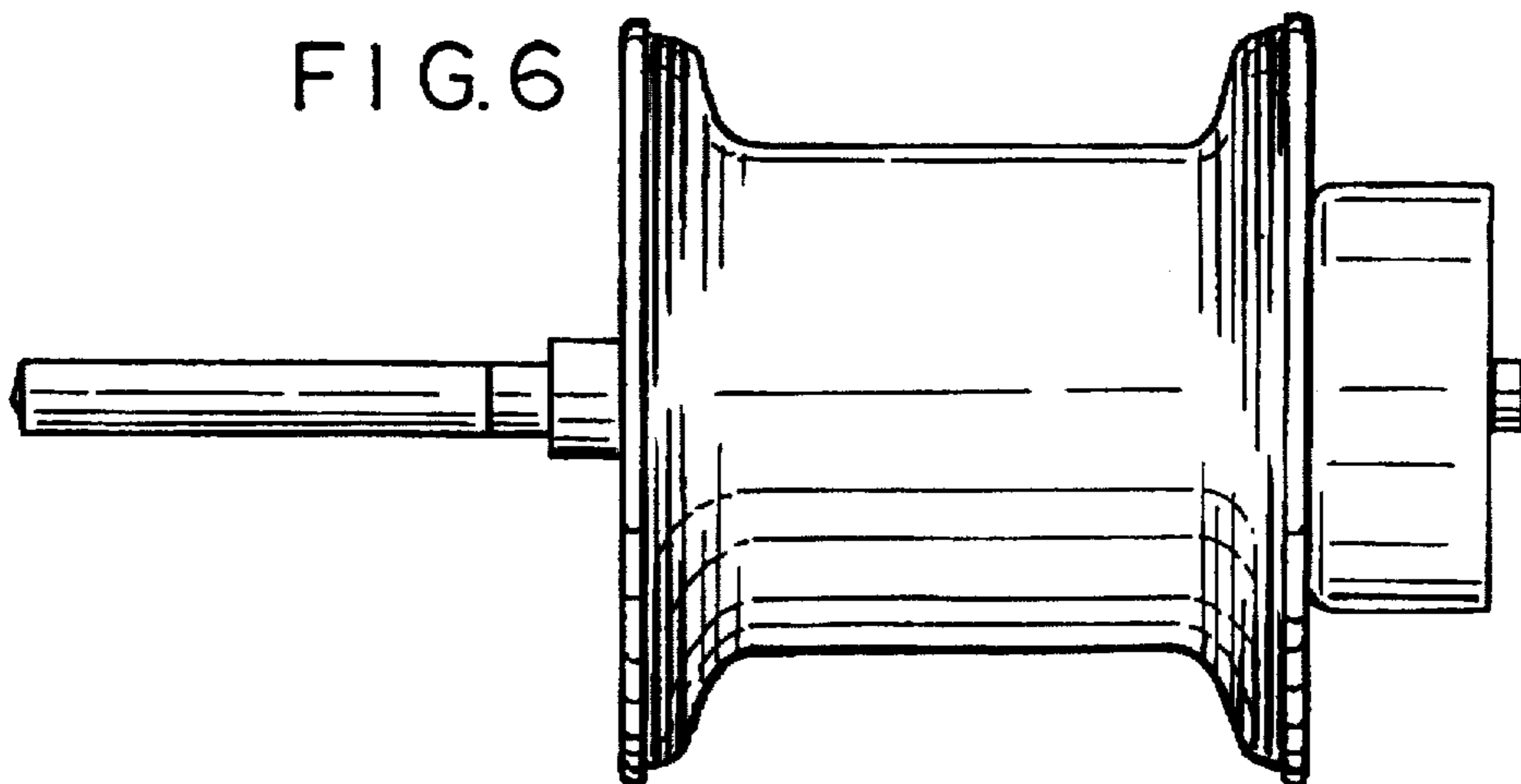




FIG. 8

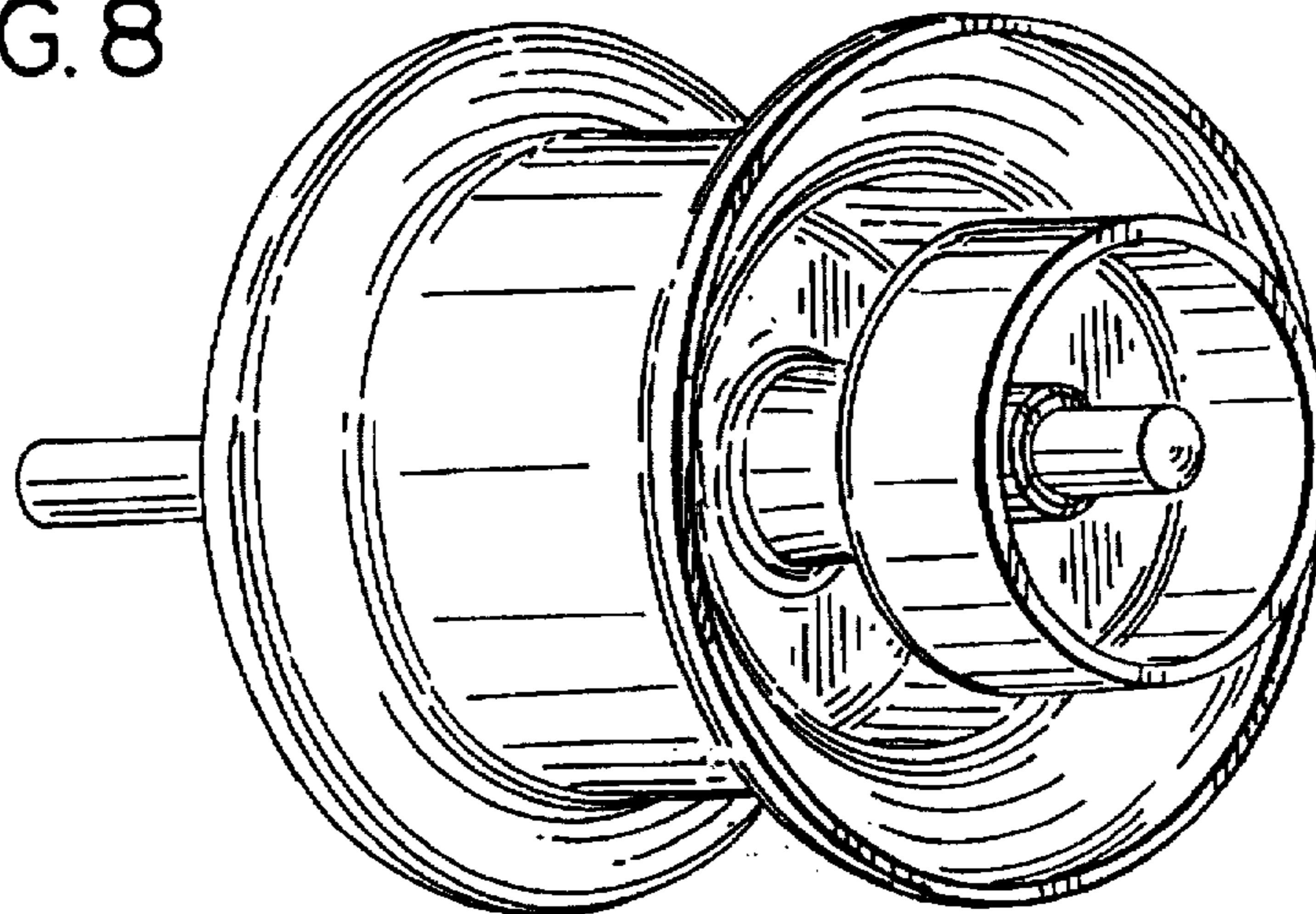


FIG. 9

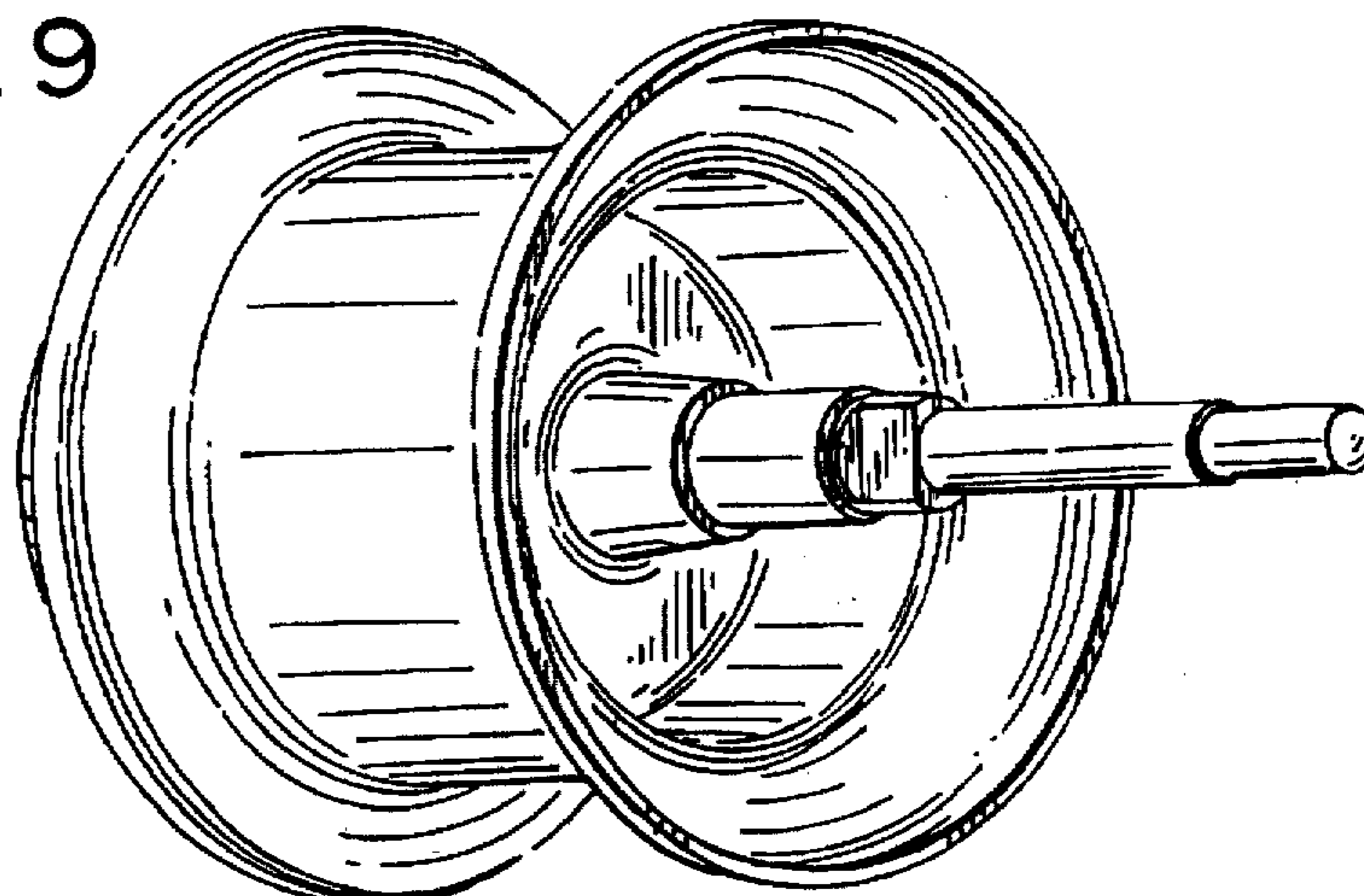


FIG. 14

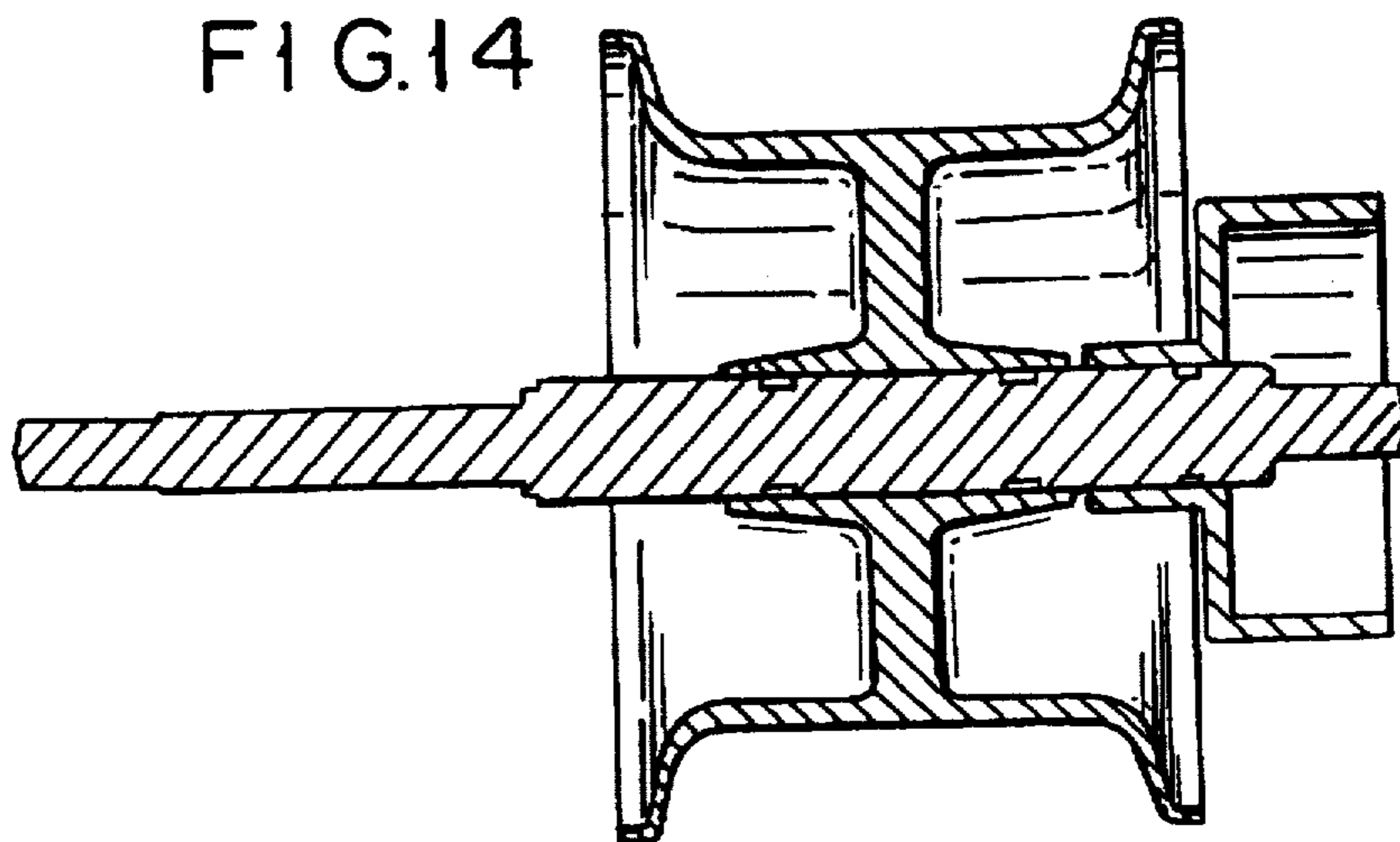


FIG. 10

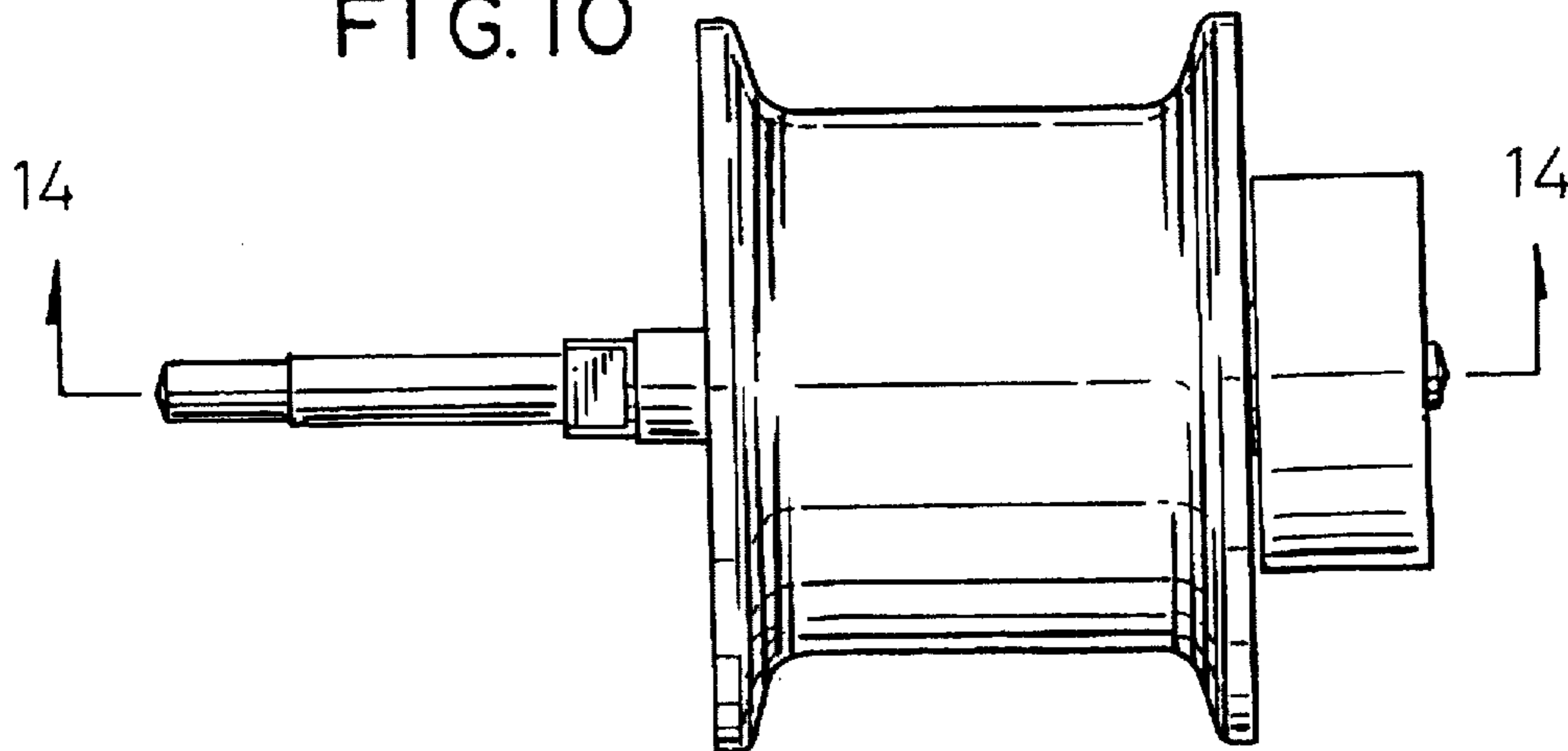


FIG. 11

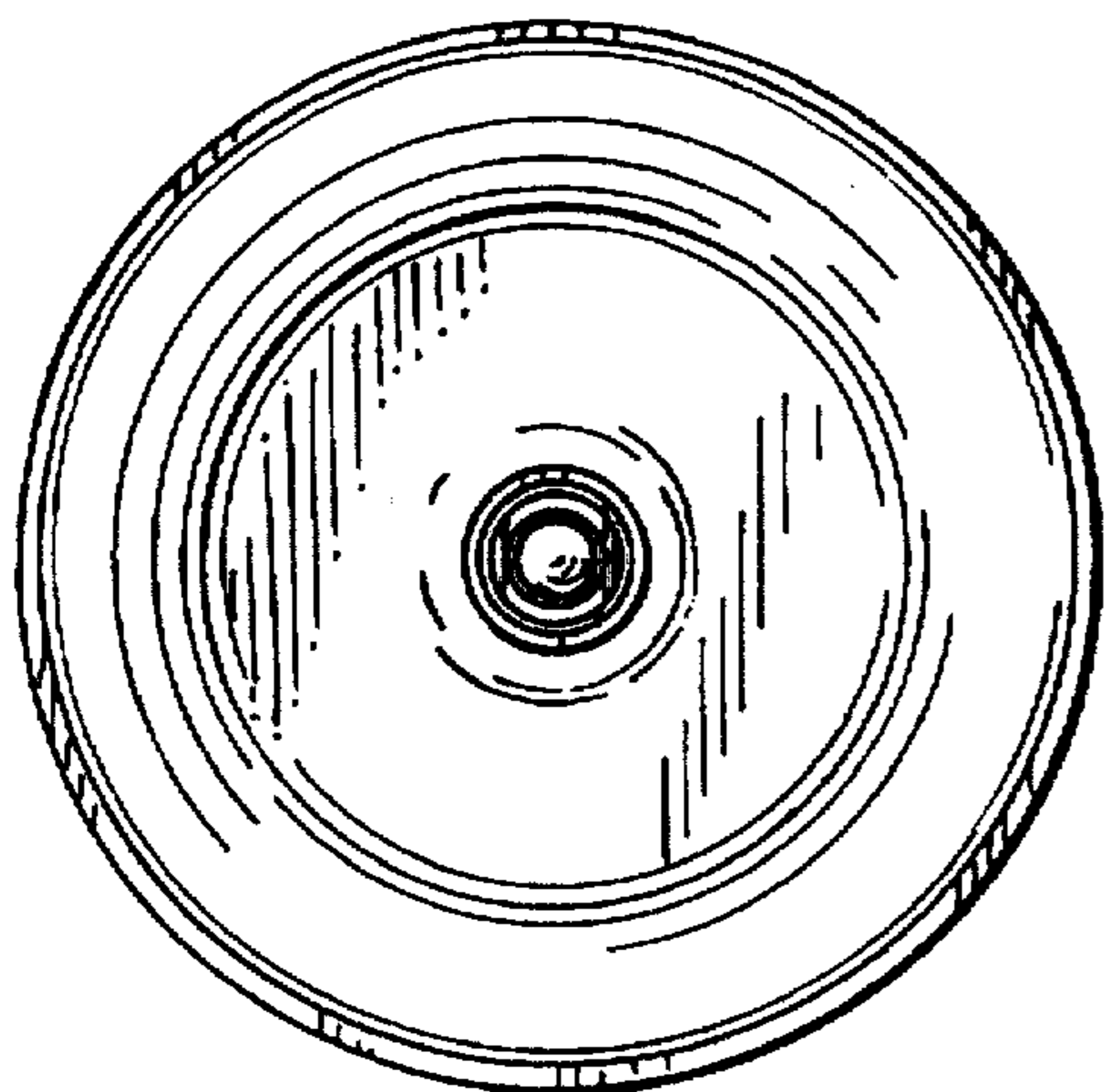


FIG. 12

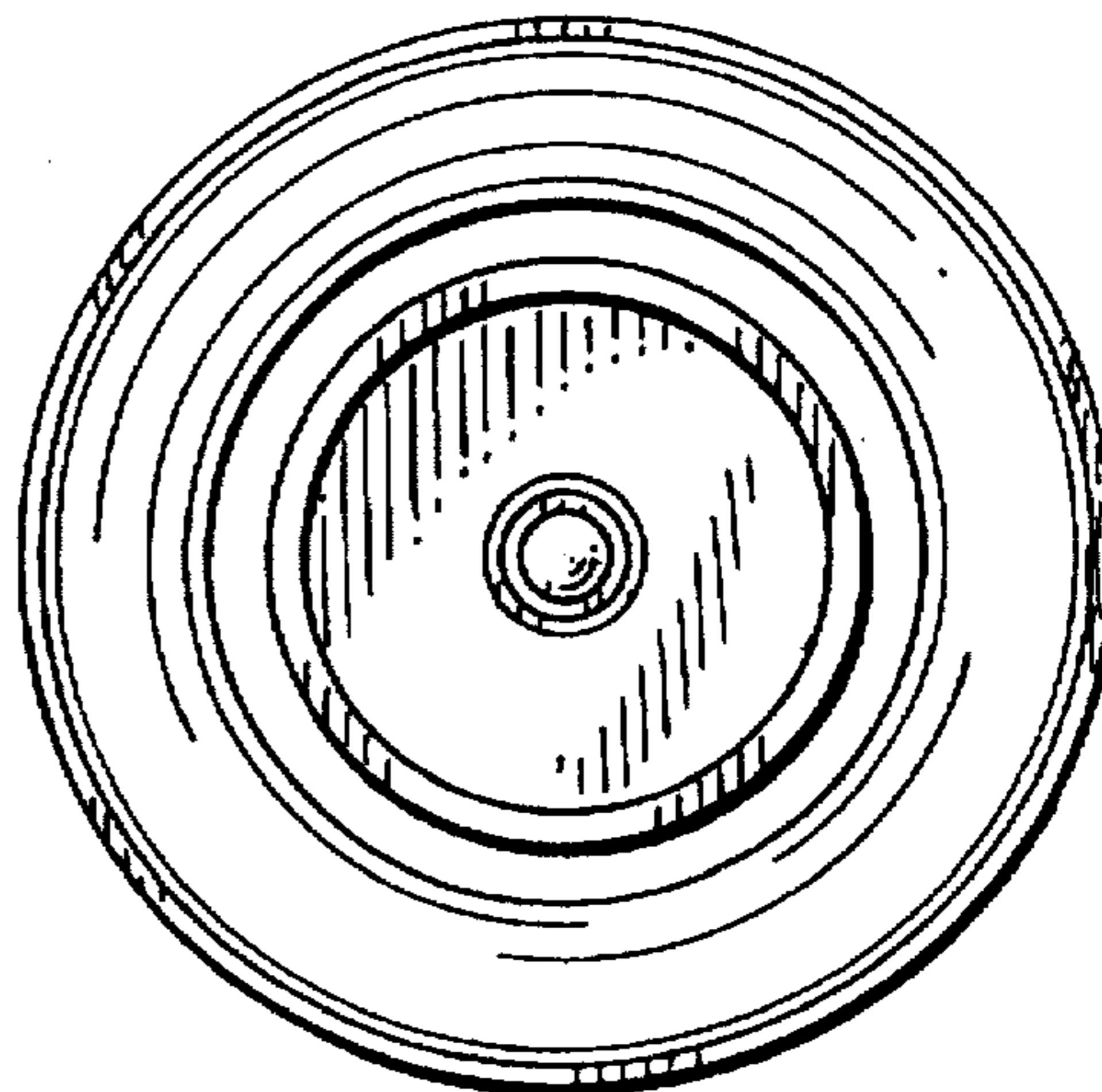


FIG. 13

