



US00D390617S

United States Patent [19]

[11] Patent Number: **Des. 390,617**

Solheim et al.

[45] Date of Patent: ****Feb. 10, 1998**

[54] GOLF CLUB HEAD

4,512,577	4/1985	Solheim	273/77
4,621,813	11/1986	Solheim	273/77
5,595,552	1/1997	Wright et al.	473/332

[75] Inventors: **John A. Solheim; Daniel J. Kubica,**
both of Phoenix; **David E. Wright,**
Glendale, all of Ariz.

FOREIGN PATENT DOCUMENTS

M9310098	8/1994	Germany .
94-0066	8/1994	Sweden .

[73] Assignee: **Karsten Manufacturing Corporation,**
Phoenix, Ariz.

Primary Examiner—Ted Shooman
Assistant Examiner—Mitchell I. Siegel
Attorney, Agent, or Firm—Darrell F. Marquette

[**] Term: **14 Years**

[21] Appl. No.: **62,686**

[57] CLAIM

[22] Filed: **Nov. 21, 1996**

The ornamental design for a golf club head, as shown and described.

Related U.S. Application Data

DESCRIPTION

[63] Continuation-in-part of Ser. No. 47,390, Dec. 1, 1995, Pat. No. Des. 379,393.

FIG. 1 is a perspective view of a golf club head showing our new design;

[51] LOC (6) Cl. **21-02**

[52] U.S. Cl. **D21/220**

[58] Field of Search D21/220; 473/350,
473/327, 328

FIG. 2 is a toe end view of the golf club head shown in FIG. 1;

FIG. 3 is a heel end view of the golf club head shown in FIG. 1;

FIG. 4 is a top view taken along the lines 4—4 in FIG. 2;
FIG. 5 is another top view taken along the lines 5—5 in FIG. 3;

FIG. 6 is a bottom view of the golf club head shown in FIG. 1;

FIG. 7 is a front elevational view of the golf club head shown in FIG. 1; and,

FIG. 8 is rear elevational view of the golf club head shown in FIG. 1.

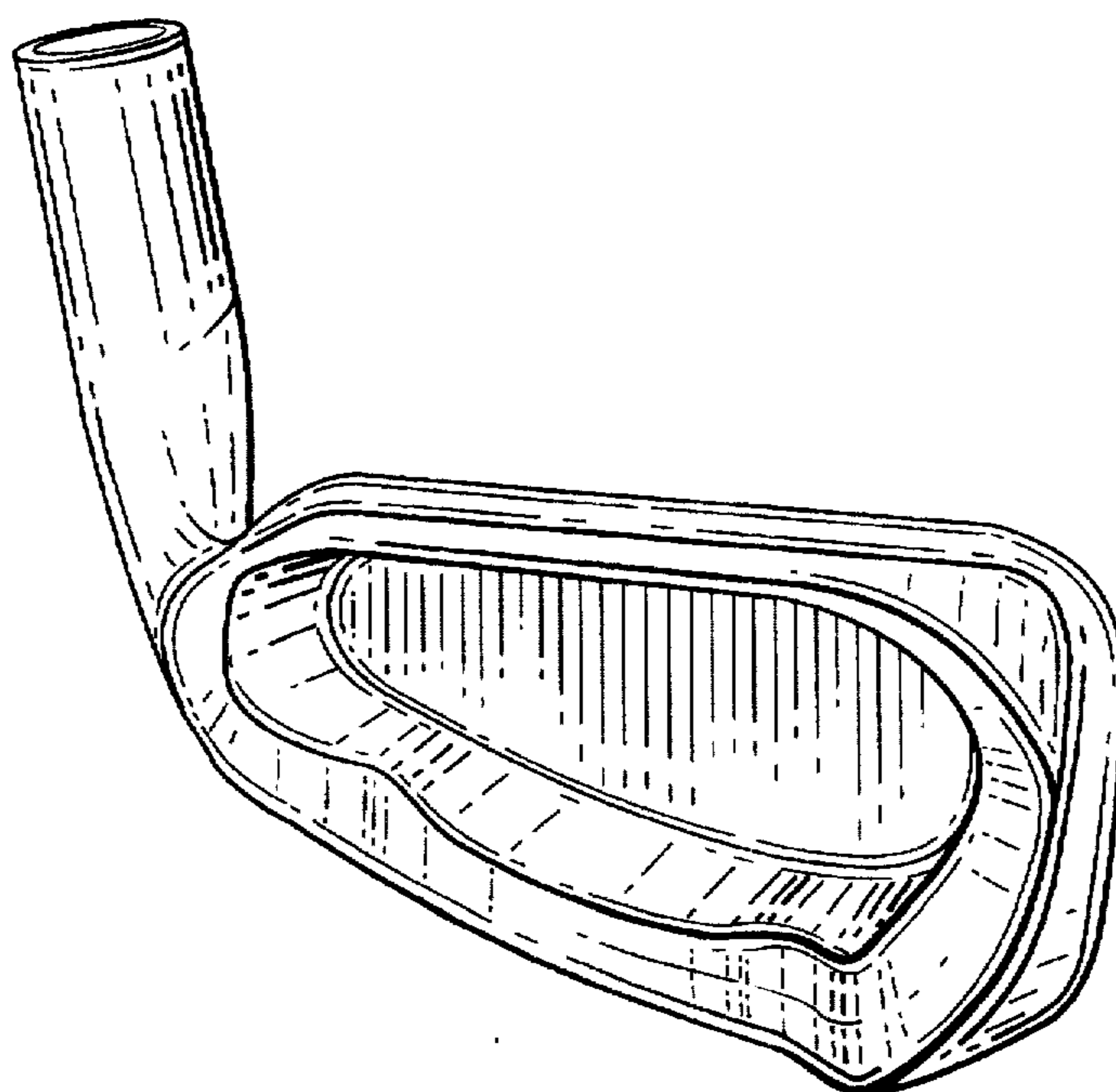
The broken line showing the grooves of the striking face is for illustrative purposes only and forms no part of the claimed design.

[56] References Cited

U.S. PATENT DOCUMENTS

D. 240,841	8/1976	Solheim	D34/5
D. 256,264	8/1980	Solheim	D21/220
D. 318,703	7/1991	Shearer	D21/220
D. 330,577	10/1992	Solheim	D21/220
D. 332,812	1/1993	Solheim	D21/220
D. 344,778	3/1994	Solheim	D21/220
D. 354,326	1/1995	Cleveland	D21/220
D. 357,293	4/1995	Solheim	D21/220
D. 357,294	4/1995	Solheim	D21/220
D. 368,127	3/1996	Solheim	D21/220
D. 373,164	8/1996	Wang	D21/220

1 Claim, 3 Drawing Sheets



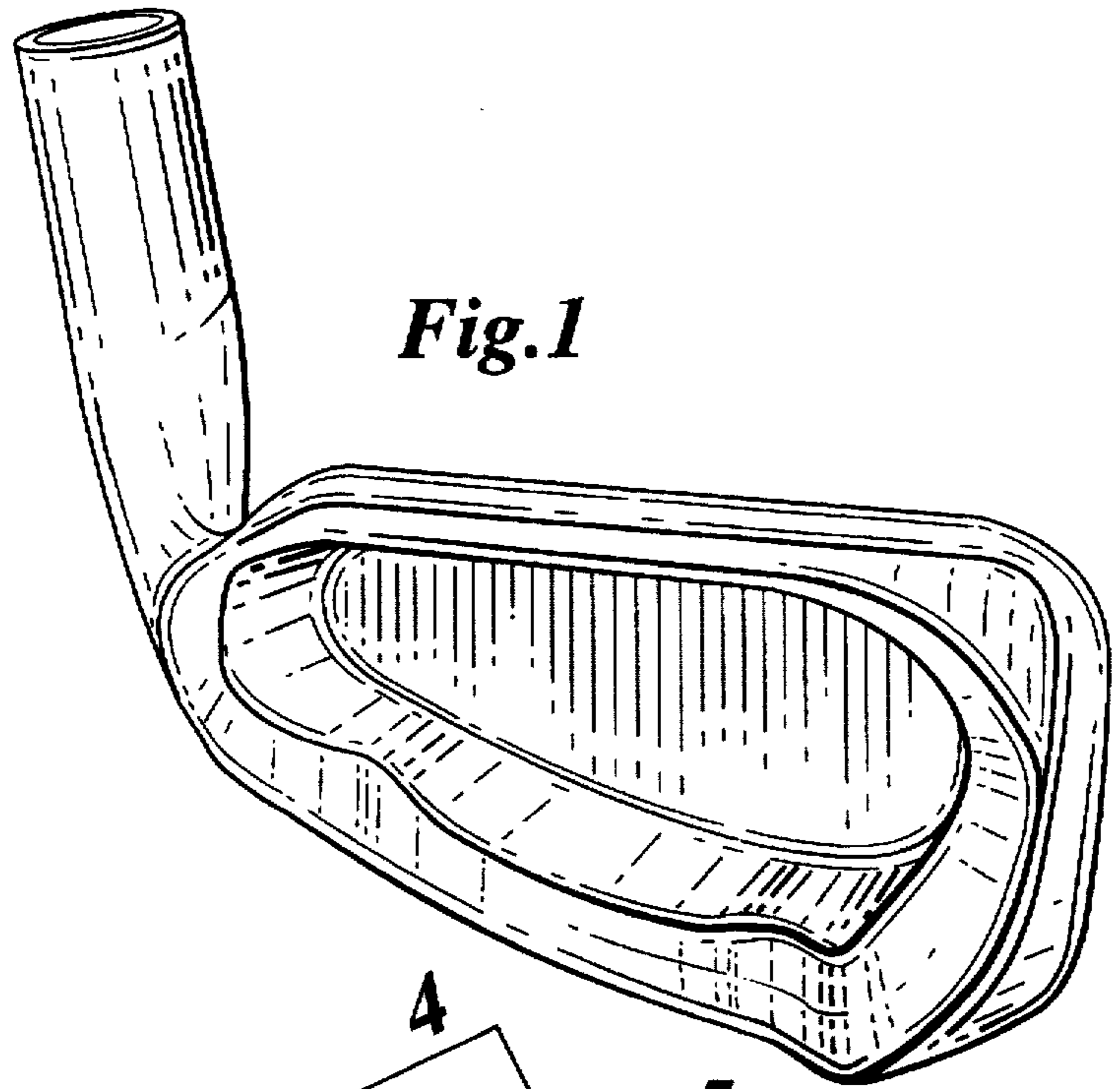


Fig.1

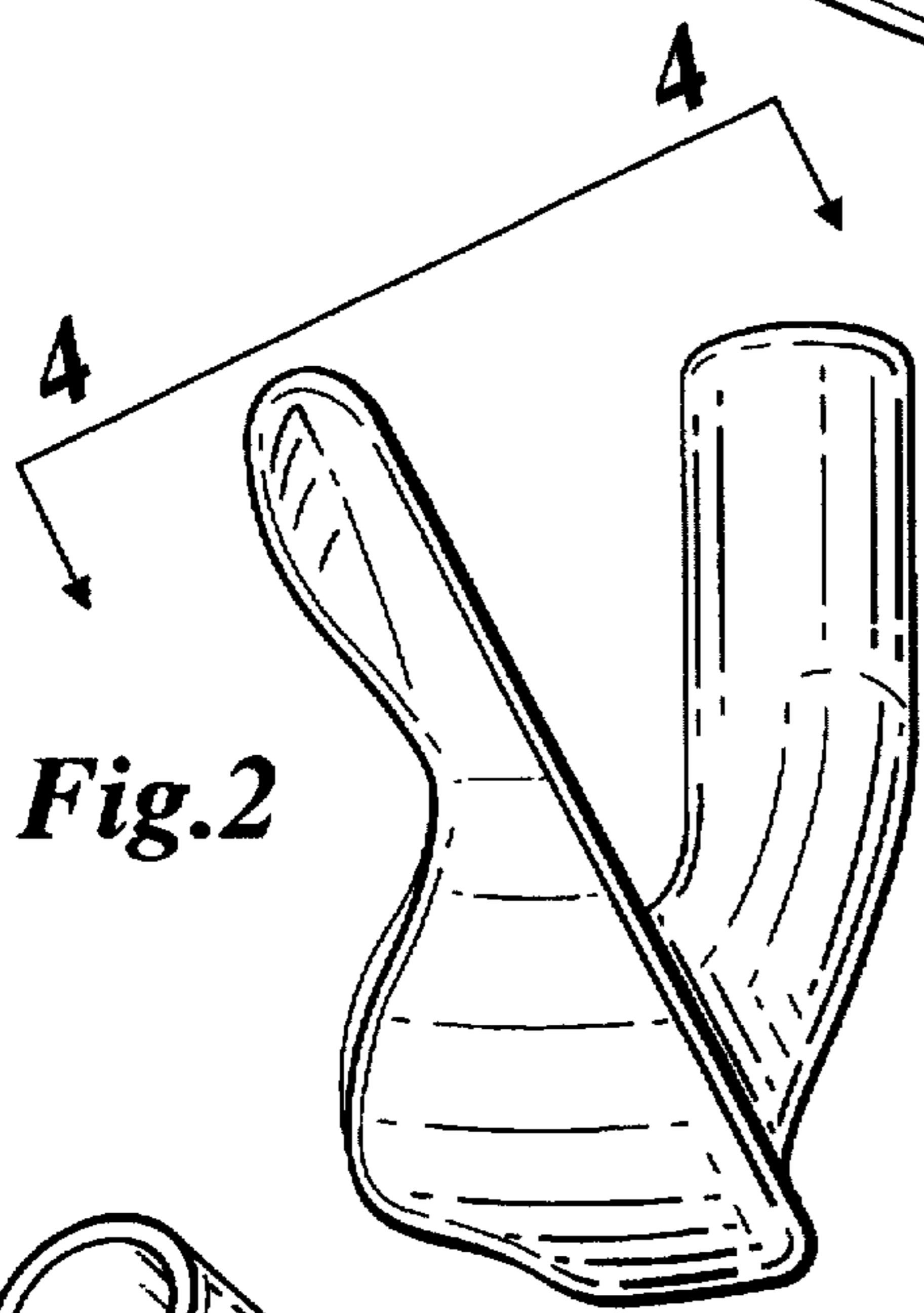


Fig.2

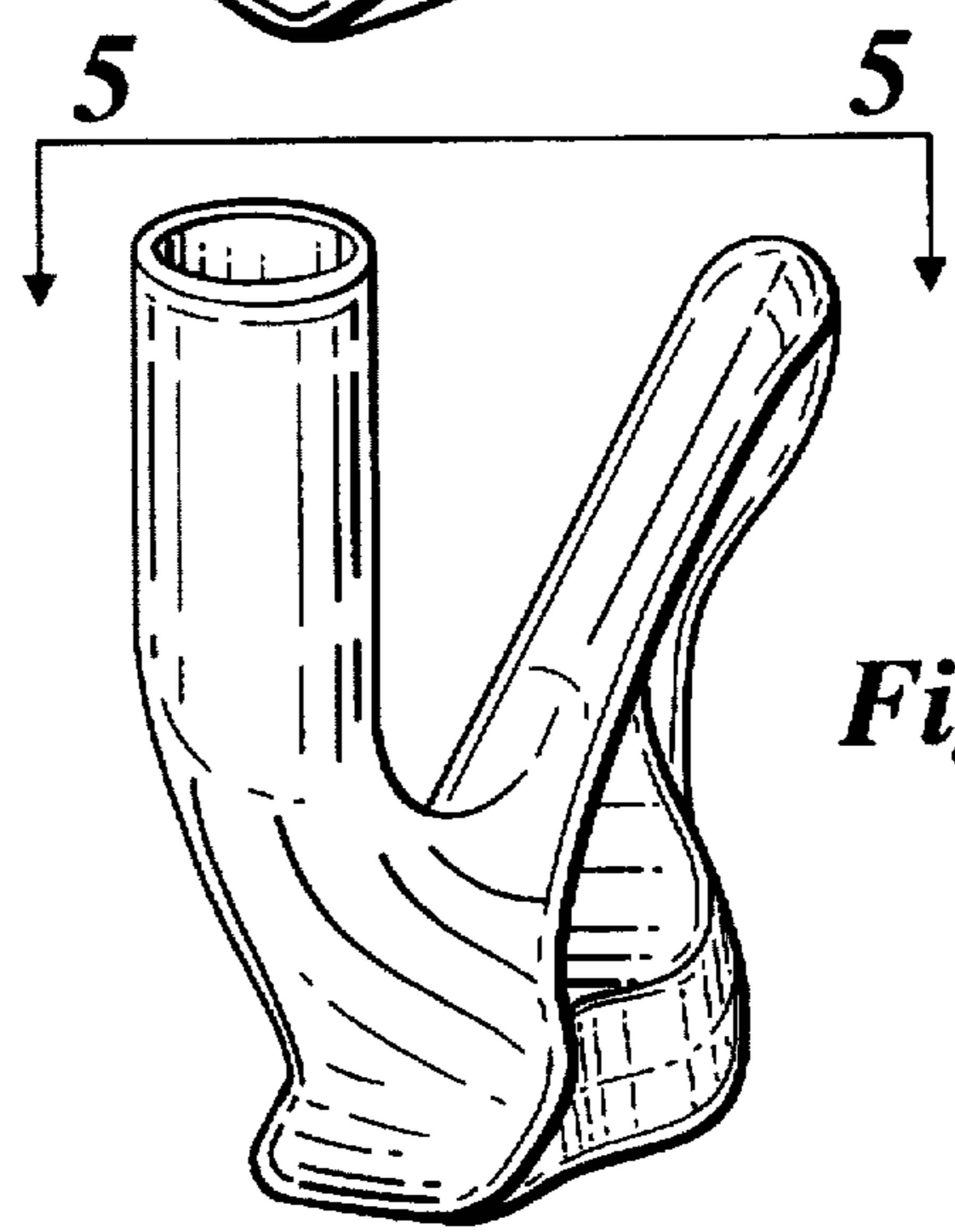


Fig.3

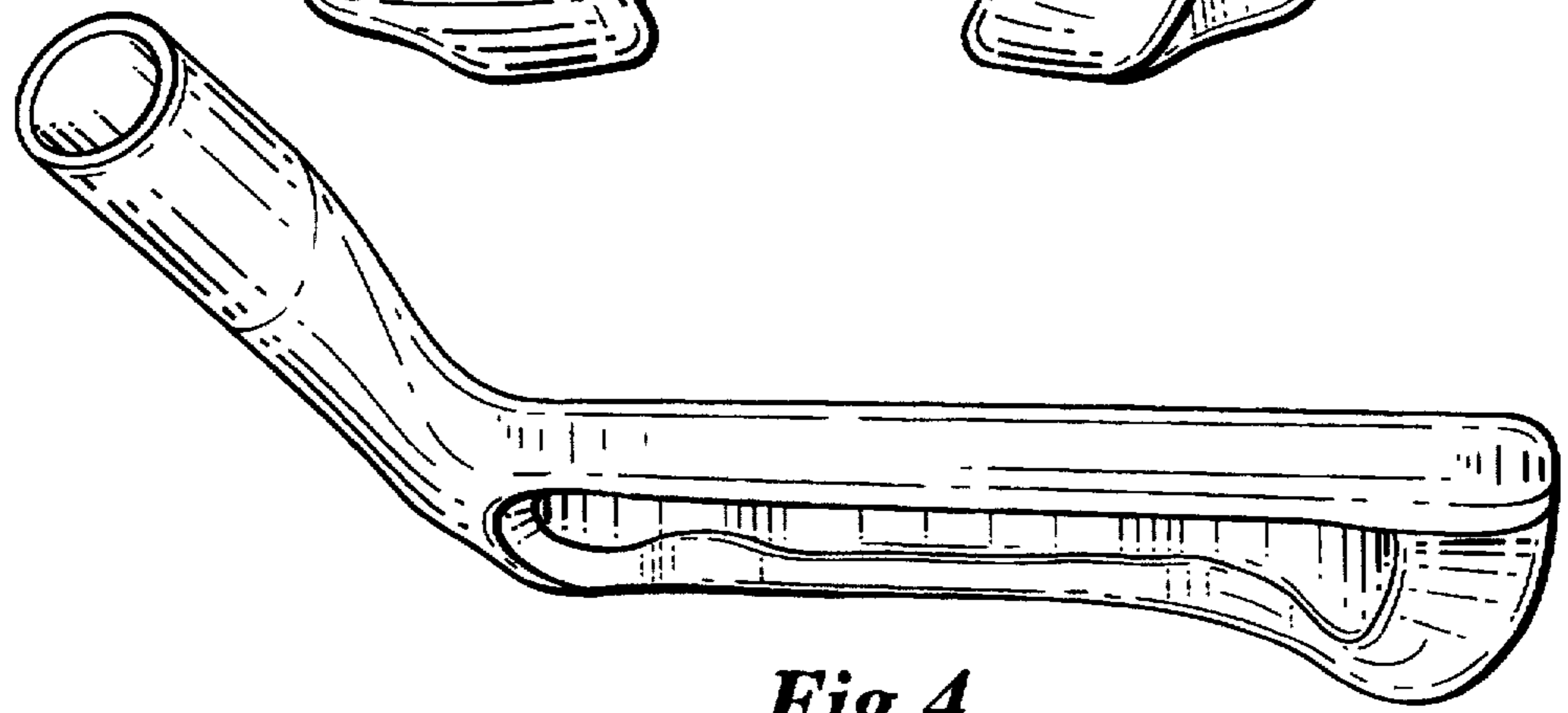


Fig.4

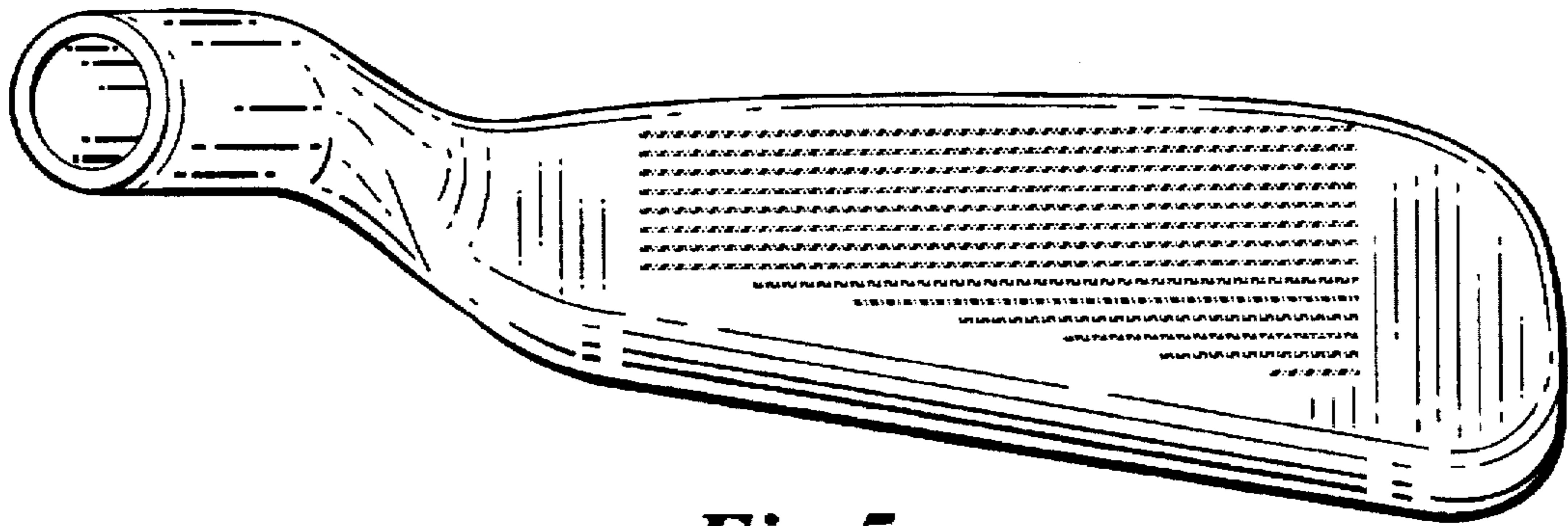


Fig.5

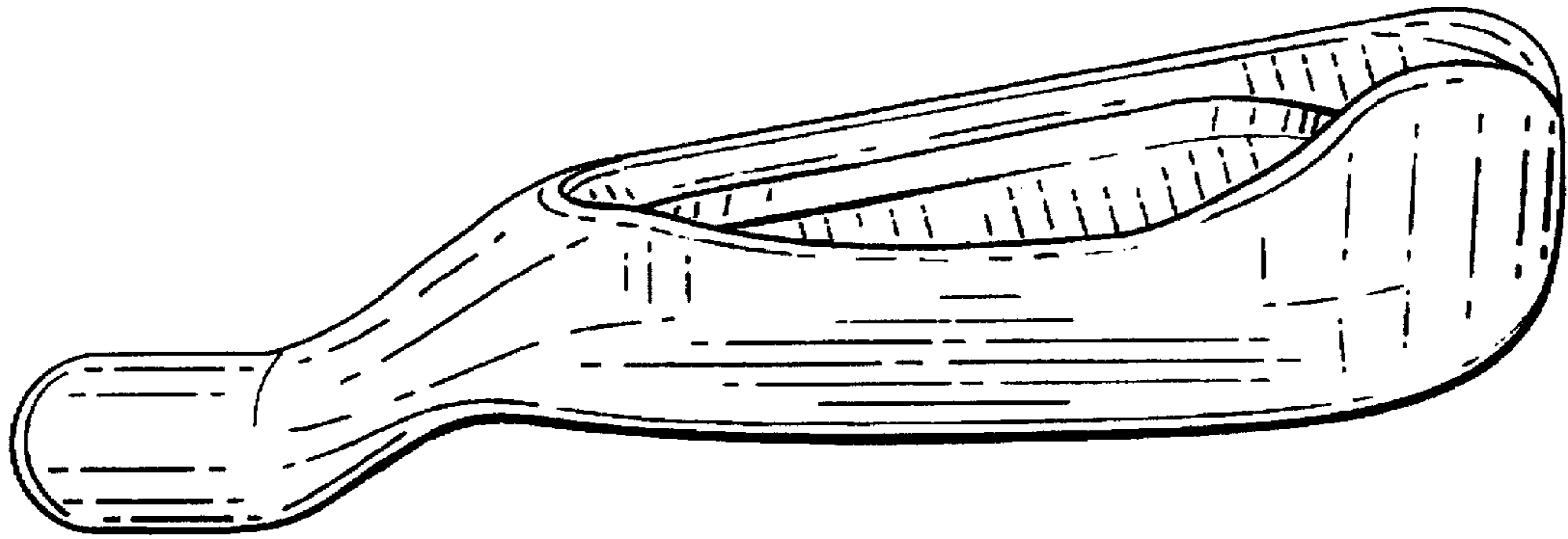


Fig.6

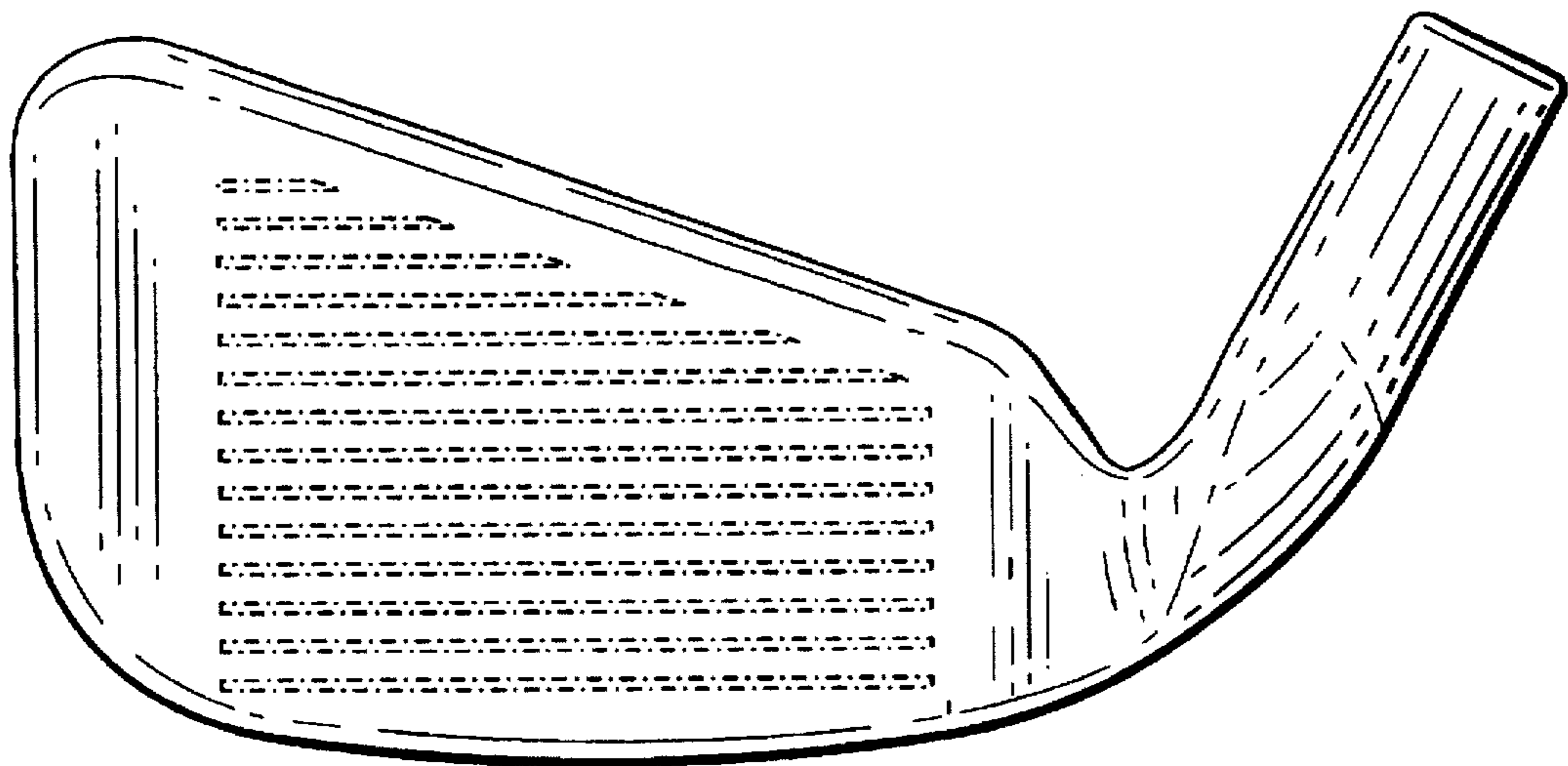


Fig.7

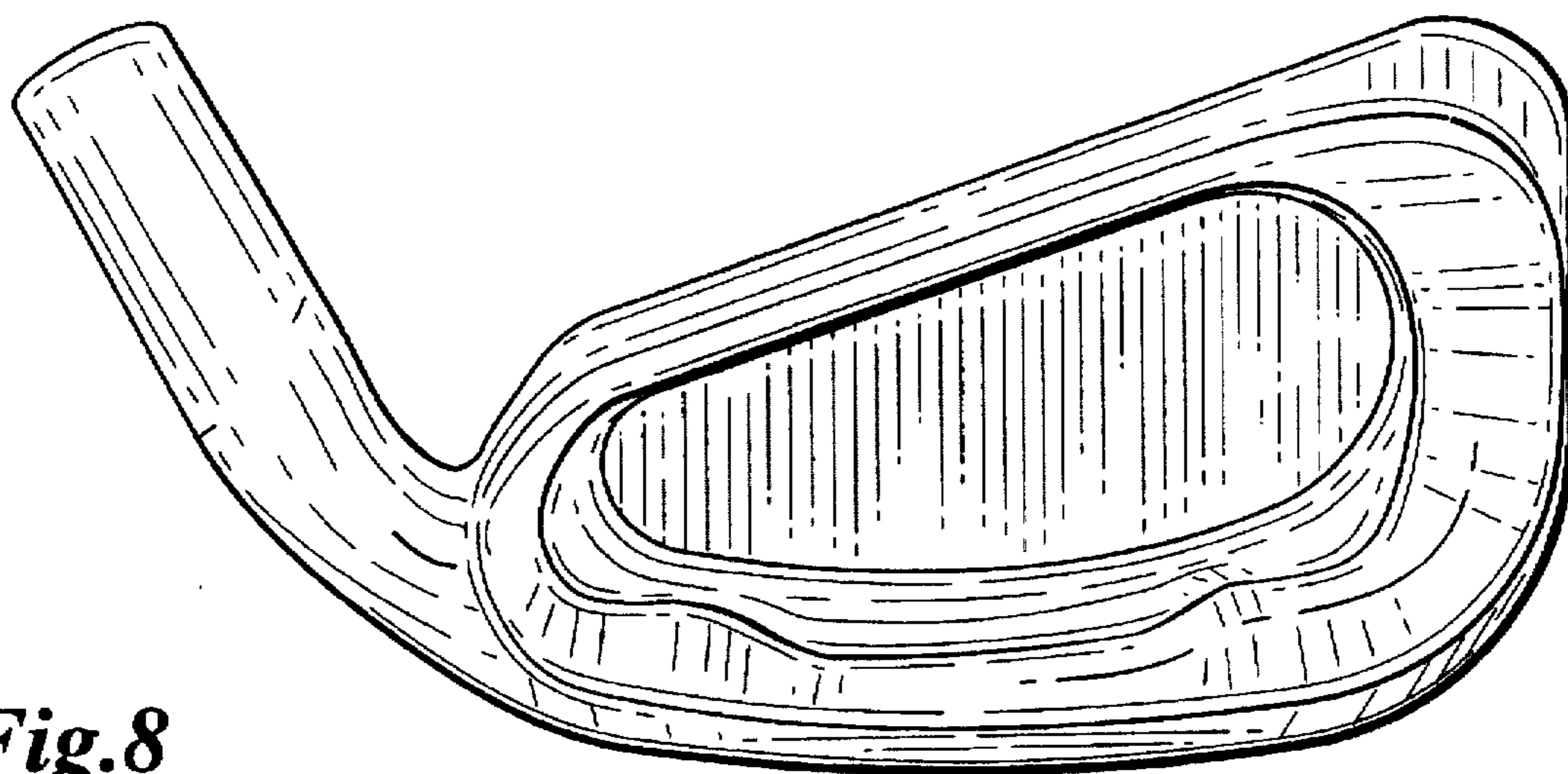


Fig.8