



US00D390615S

United States Patent [19]

[11] Patent Number: **Des. 390,615**

Stutsman

[45] Date of Patent: ****Feb. 10, 1998**

[54] **CURL BAR**

5,024,434	6/1991	Smith	482/106
5,080,349	1/1992	Vittone	482/106
5,211,616	5/1993	Riley, Jr.	482/106
5,334,113	8/1994	Roepke	482/106

[76] Inventor: **Matthew Stutsman**, 1231 E. Roland St., Carson City, Nev. 89701

[**] Term: **14 Years**

Primary Examiner—Philip S. Hyder
Attorney, Agent, or Firm—Brian C. Kelly

[21] Appl. No.: **61,458**

[57] **CLAIM**

[22] Filed: **Oct. 24, 1996**

The ornamental design for a curl bar, as shown and described.

[51] **LOC (6) Cl.** **21-02**

[52] **U.S. Cl.** **D21/198**

[58] **Field of Search** D21/191, 196,
D21/197, 198; 482/106, 93, 104, 108, 109,
110

DESCRIPTION

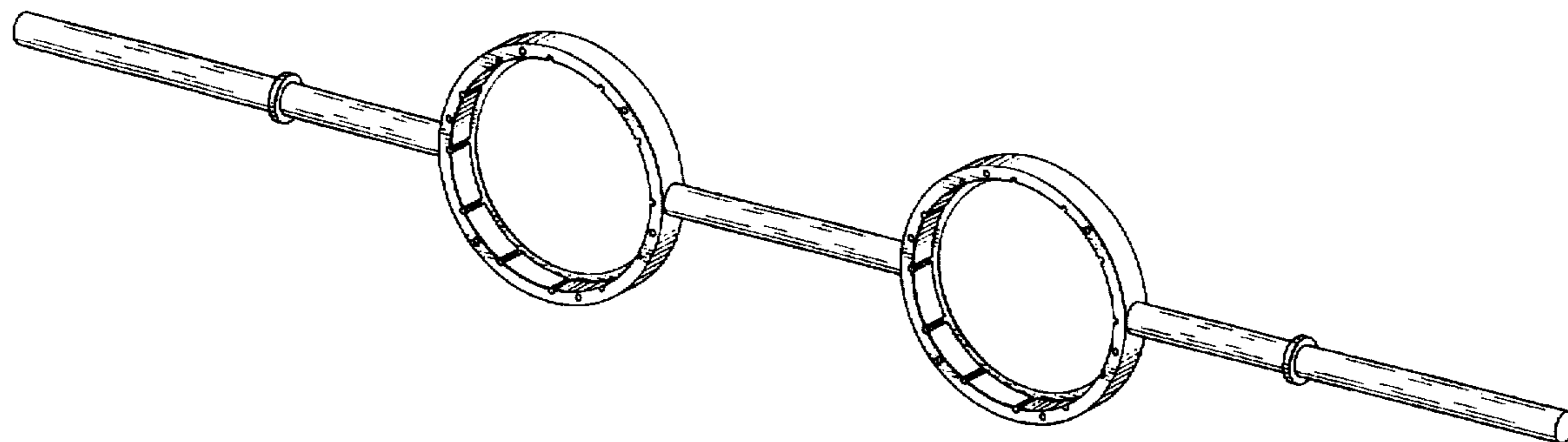
FIG. 1 shows a perspective view of the curl bar;
FIG. 2 shows a right side view of the curl bar, wherein the left side is a mirror image;
FIG. 3 shows a top plan view of the curl bar, wherein the bottom plan view is a mirror image;
FIG. 4 shows a front view of the curl bar; and,
FIG. 5 shows a rear view of the curl bar.

[56] References Cited

U.S. PATENT DOCUMENTS

D. 261,788	11/1981	Burns	D21/197
D. 317,641	6/1991	Gerard	D21/197
4,629,184	12/1986	Selkee	D21/197
4,822,035	4/1989	Jennings et al.	482/106

1 Claim, 1 Drawing Sheet



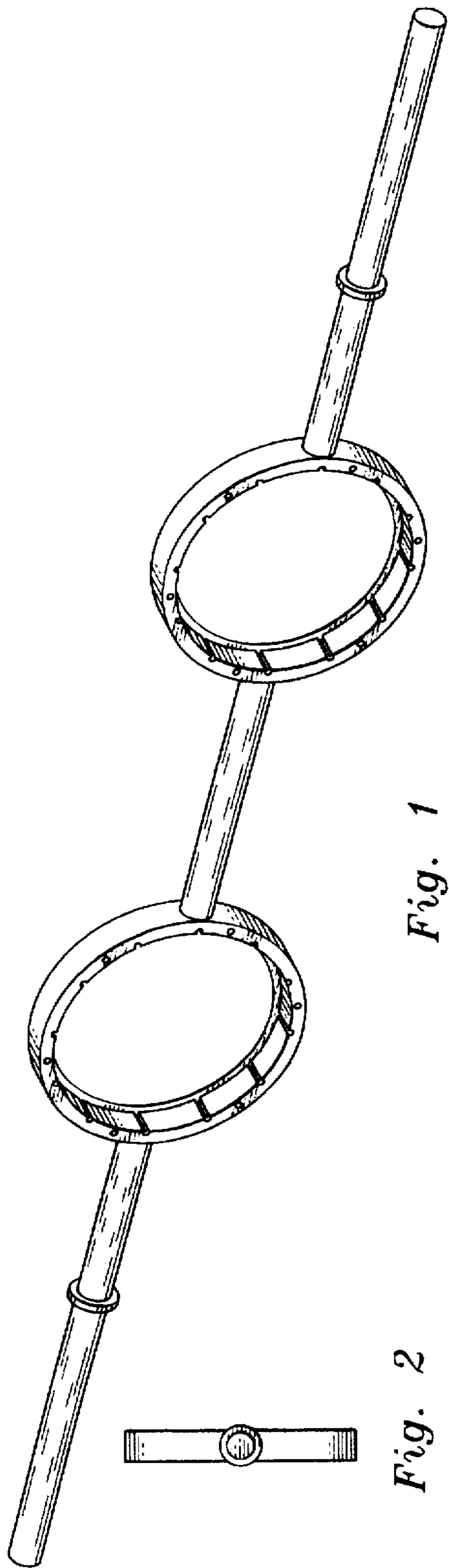


Fig. 1

Fig. 2



Fig. 3

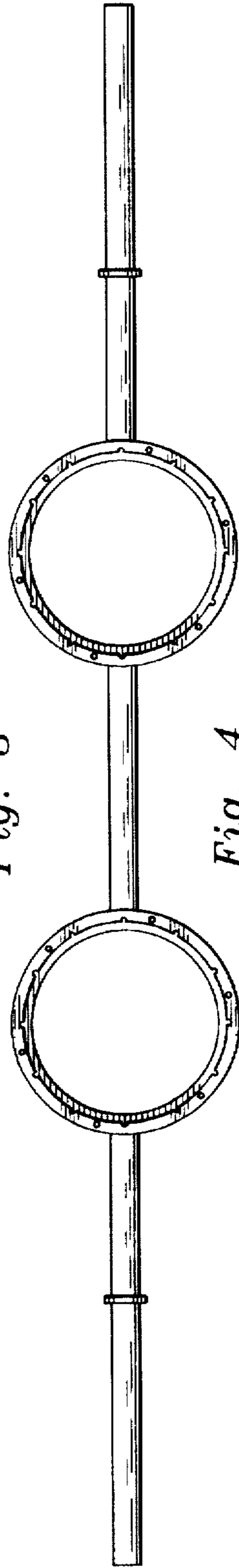


Fig. 4

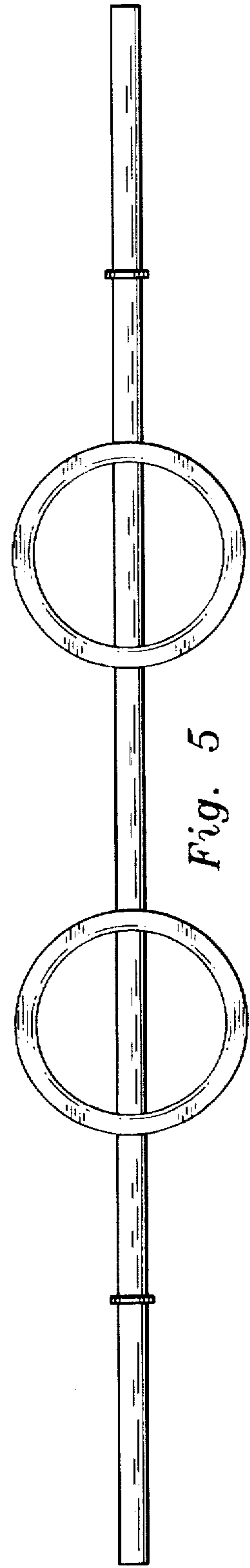


Fig. 5