



US00D390614S

United States Patent [19]
Morley

[11] **Patent Number: Des. 390,614**
[45] **Date of Patent: **Feb. 10, 1998**

[54] **EXERCISE GRIP**
[76] **Inventor: Stephen Morley, 61-20 43rd Ave.,
Woodside, N.Y. 11377**
[**] **Term: 14 Years**
[21] **Appl. No.: 59,464**
[22] **Filed: Sep. 11, 1996**
[51] **LOC (6) Cl. 21-02**
[52] **U.S. Cl. D21/198; D8/14**
[58] **Field of Search D21/191, 198;
D8/14, 107; 482/106; 294/15, 26, 92, 1.1**

5,324,244 6/1994 Miller et al. 462/106
5,350,343 9/1994 DaSilva 482/106
5,361,658 11/1994 Murphy 294/15

Primary Examiner—Philip S. Hyder
Attorney, Agent, or Firm—Goldstein & Associates

[57] **CLAIM**

The ornamental design for an exercise grip, as shown and described.

DESCRIPTION

FIG. 1 is a diagrammatical perspective view of the exercise grip;
FIG. 2 is a reduced scale diagrammatical perspective view of the exercise grip in full lines with a barbell, weights and a collar shown in broken lines representing environmental association matter being for illustrative purposes only and forming no part of the claimed invention;
FIG. 3 is a reduced scale left side elevational view thereof, the right side view being a mirror image of the left side view;
FIG. 4 is a reduced scale rear elevational view thereof;
FIG. 5 is a reduced scale front elevational view thereof;
FIG. 6 is an enlarged top plan view of the exercise grip; and
FIG. 7 is an enlarged bottom plan view thereof.

[56] **References Cited**

U.S. PATENT DOCUMENTS

D. 312,377 11/1990 Everding et al. D8/14
2,652,278 9/1953 Allen 294/92
3,541,990 11/1970 DuMas 115/6.1
3,708,196 1/1973 Snell 294/92
4,046,273 9/1977 Hughes 294/15
4,199,140 4/1980 Ferretti 482/106
4,487,412 12/1984 Meeko 272/123
4,807,876 2/1989 Lothar 482/106
5,029,921 7/1991 Houghton et al. 294/26

1 Claim, 3 Drawing Sheets

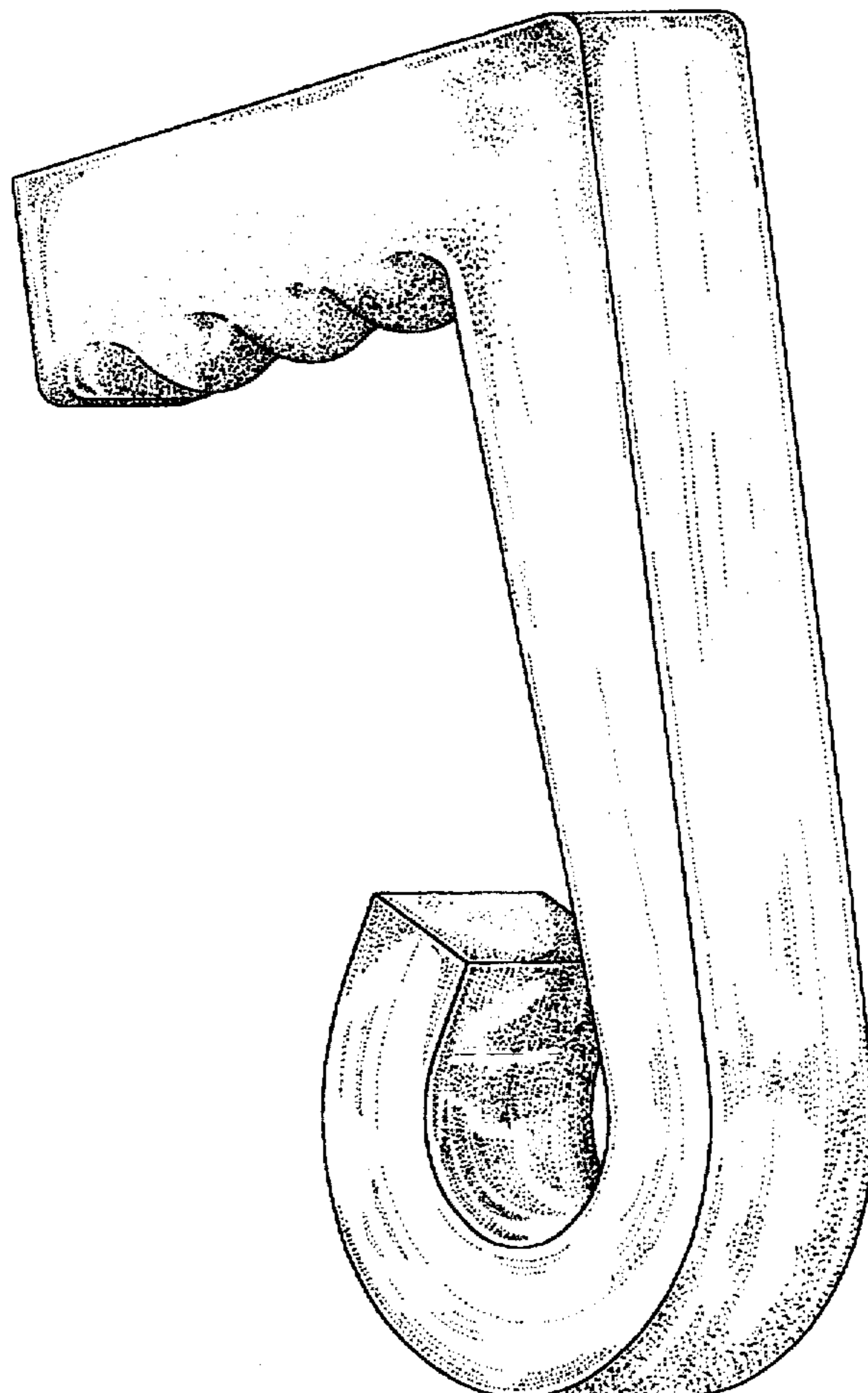
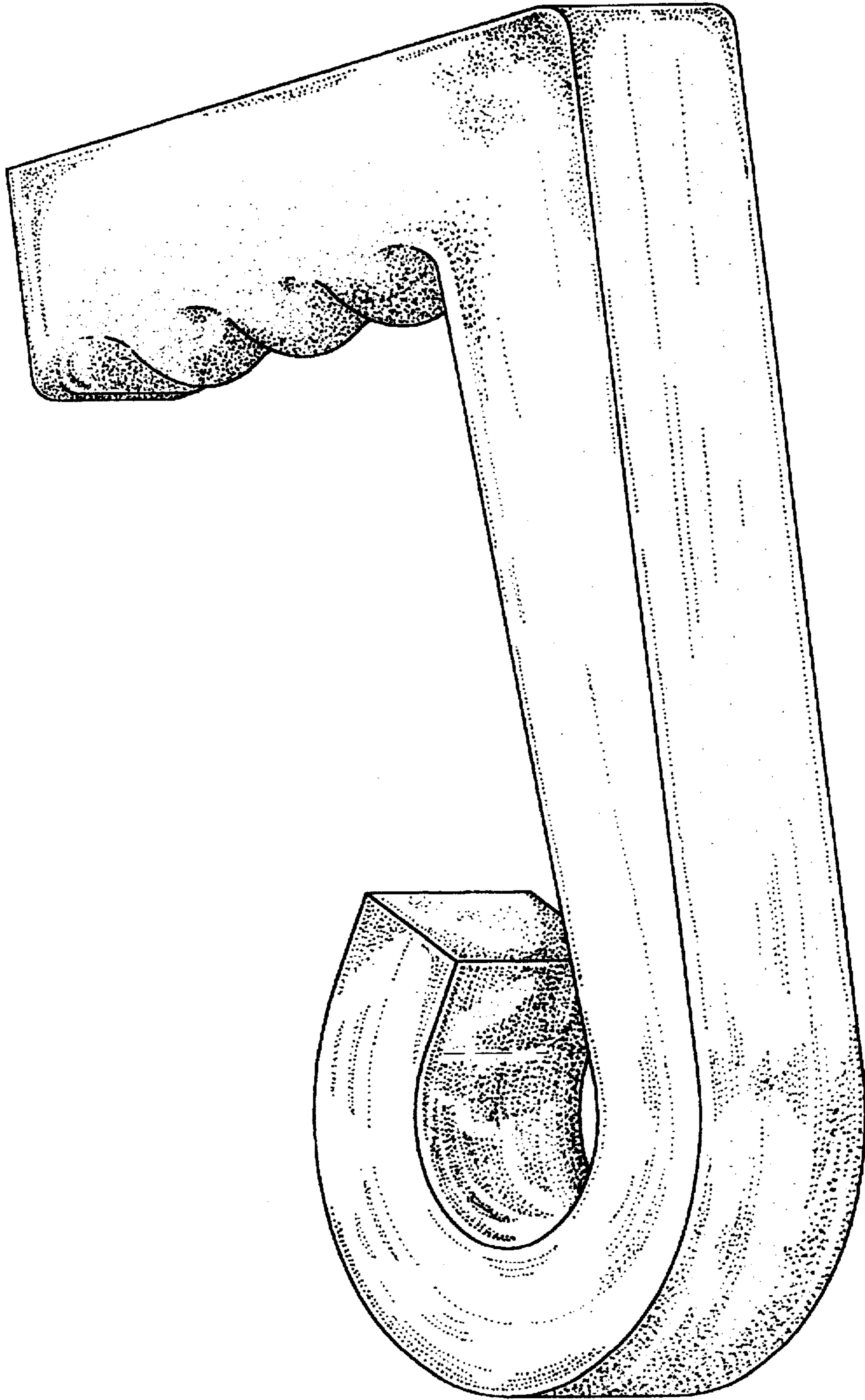


Fig. 1



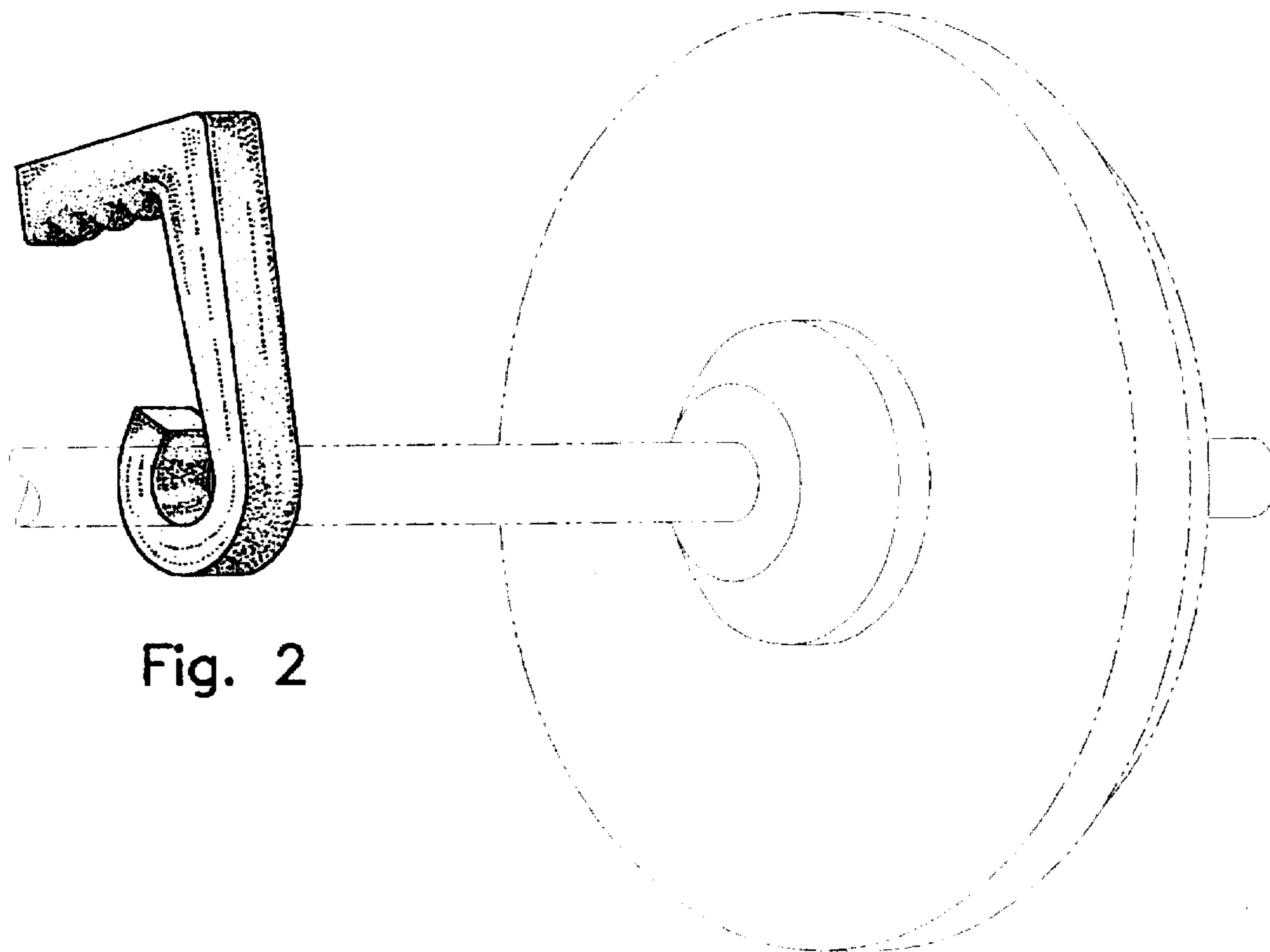


Fig. 2

Fig. 3

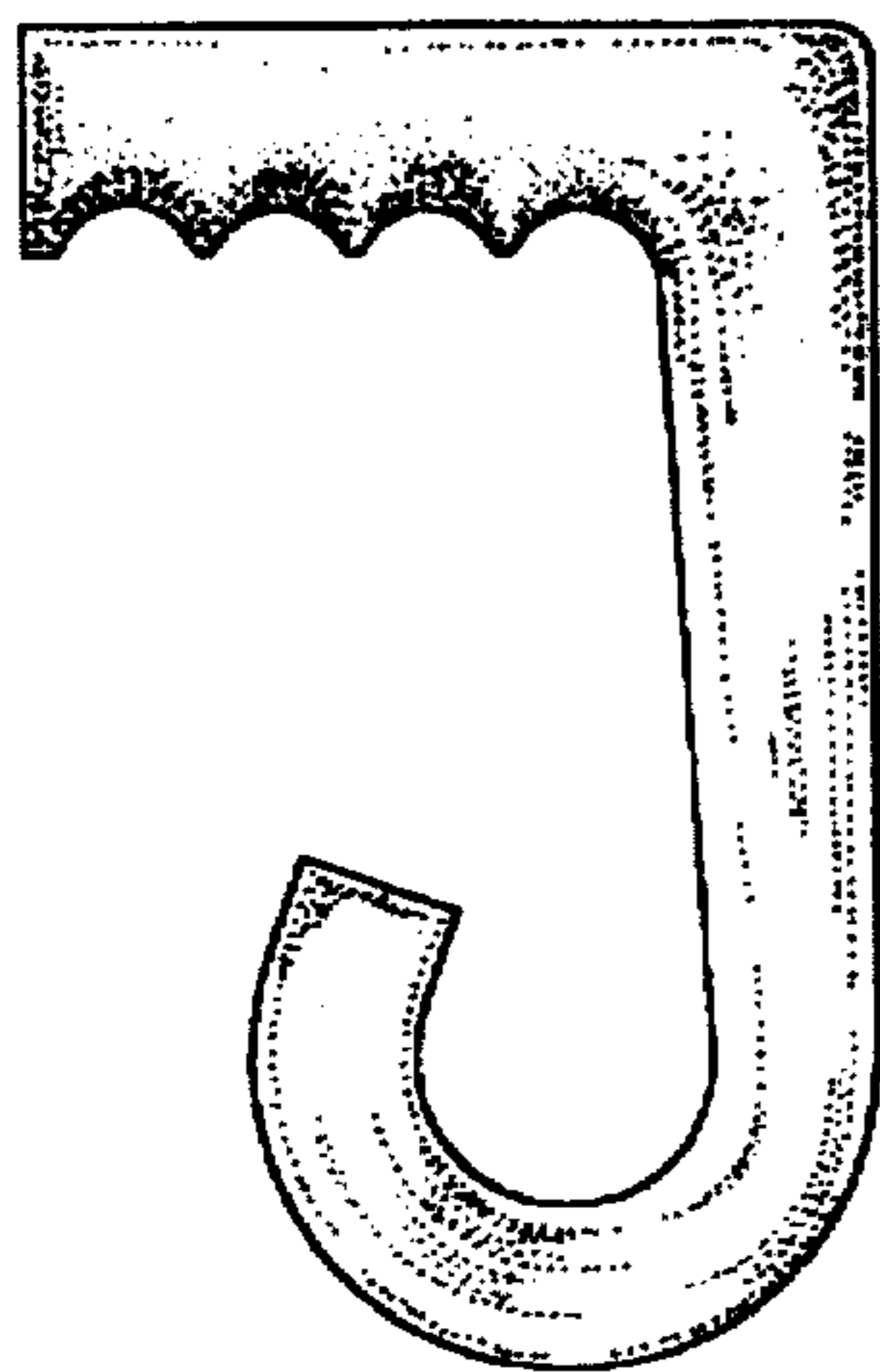


Fig. 4

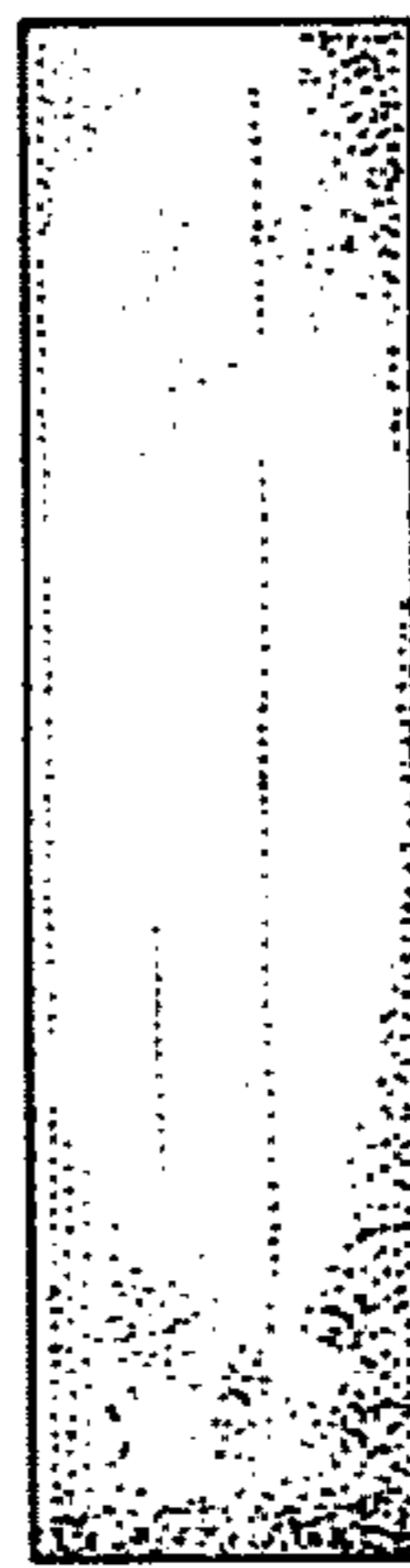


Fig. 5



Fig. 6

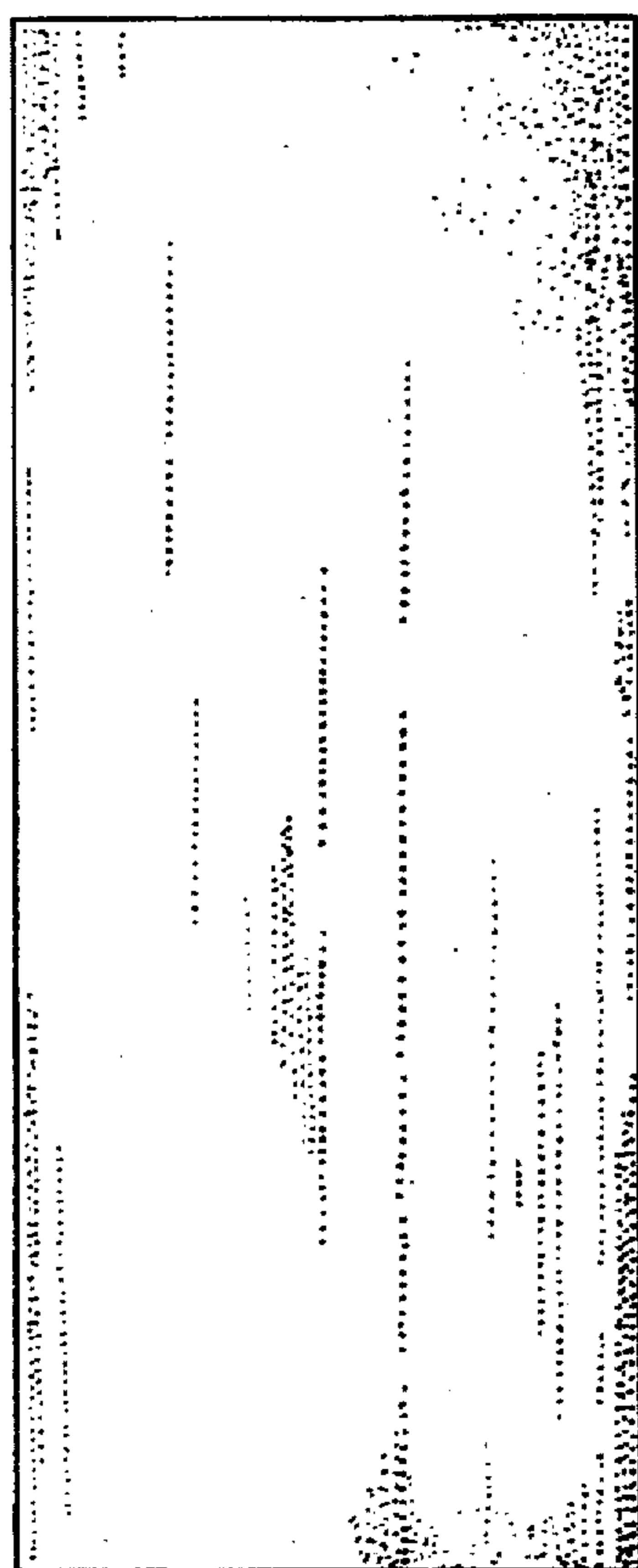


Fig. 7

