

US00D390603S

United States Patent [19] Treherne

[11] Patent Number: **Des. 390,603**
[45] Date of Patent: ****Feb. 10, 1998**

[54] **CHILDREN'S EDUCATIONAL TOY**
[76] Inventor: **Mary Lou B. Treherne**, 15 Rusnak Ct., Sparks, Nev. 89436
[**] Term: **14 Years**
[21] Appl. No.: **68,503**
[22] Filed: **Mar. 24, 1997**
[51] LOC (6) Cl. **19-07**
[52] U.S. Cl. **D19/59; D21/59; D21/63; D19/62**
[58] Field of Search **D6/597; D21/59, D21/63; D19/59, 60, 62, 64; 434/156, 159, 168, 172, 403, 345, 167, 193; 446/227**

5,169,209 12/1992 Beroth 297/146
5,190,287 3/1993 Ishiyama 434/403 X
5,290,090 3/1994 Bell et al. 297/238
5,443,018 8/1995 Cromwell 108/44
5,553,856 9/1996 Barnard 434/159 X

Primary Examiner—Martie Thompson
Attorney, Agent, or Firm—David L. Volk

[57] CLAIM

The ornamental design for a children's educational toy, as shown and described.

DESCRIPTION

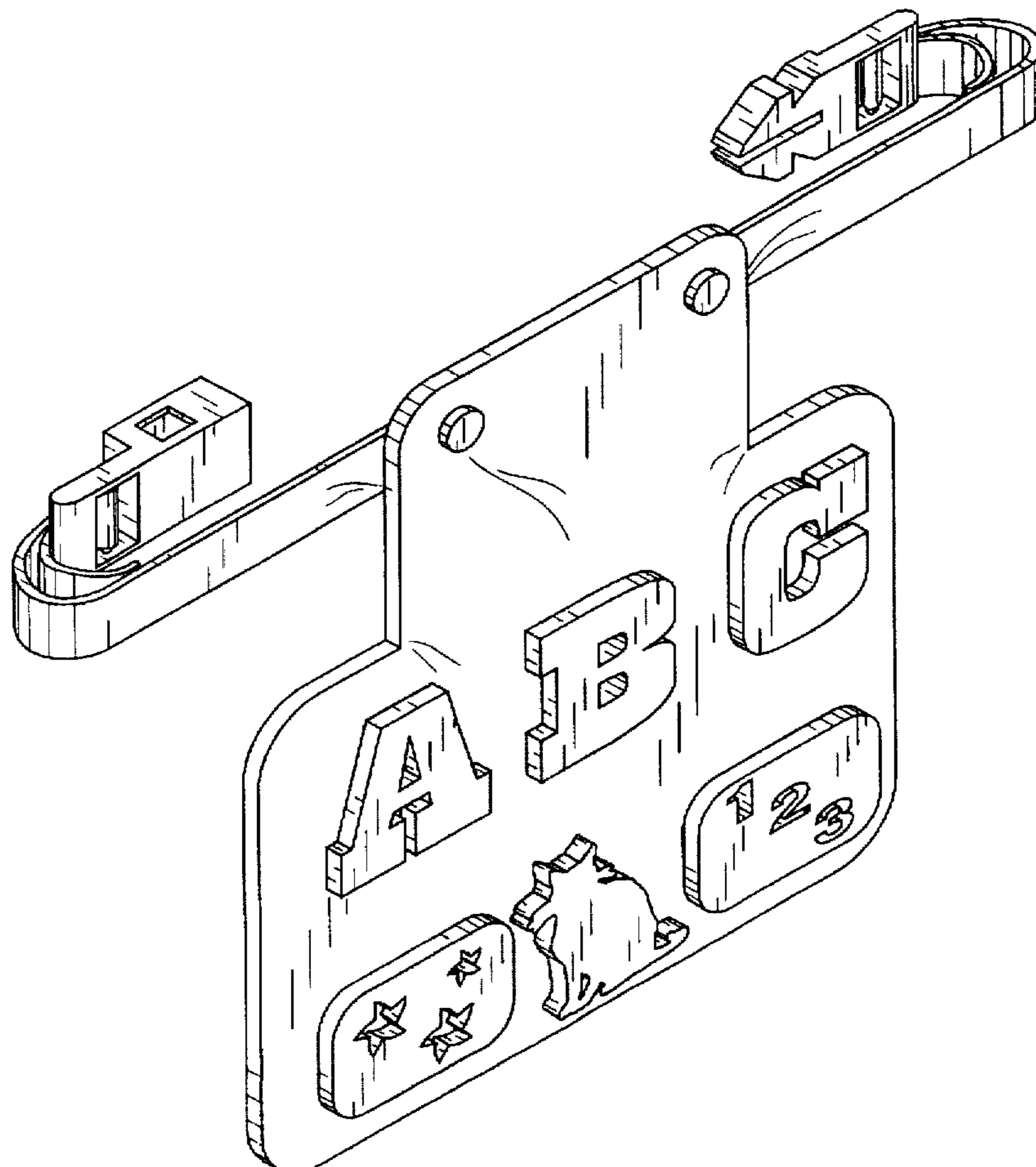
FIG. 1 is a perspective view of a children's educational toy showing my new design;
FIG. 2 is a left side elevational view thereof;
FIG. 3 is a right side elevational view thereof;
FIG. 4 is a front elevational view thereof;
FIG. 5 is a rear elevational view thereof;
FIG. 6 is a top plan view thereof;
FIG. 7 is a bottom plan view thereof; and,
FIG. 8 is a front perspective view thereof with the press-on figures removed for clarity of illustration, the fragmentary depiction of the car seat being shown for illustrative purposes only and forming no part of the claimed design.

[56] References Cited

U.S. PATENT DOCUMENTS

D. 190,159	4/1961	Goldstein	D21/59	X
D. 218,384	8/1970	Lambert	D21/59	X
D. 284,679	7/1986	Livesey et al.	D21/63	X
D. 298,956	12/1988	Zinter-Chahin	D21/59	
D. 341,166	11/1993	Koike	D21/63	X
D. 345,386	3/1994	Gilliam-Ogle	D21/59	
D. 370,818	6/1996	D'Alessio	D19/64	X
2,839,843	6/1958	Keyko	434/345	
4,988,321	1/1991	Goldfarb	434/159	X

1 Claim, 6 Drawing Sheets



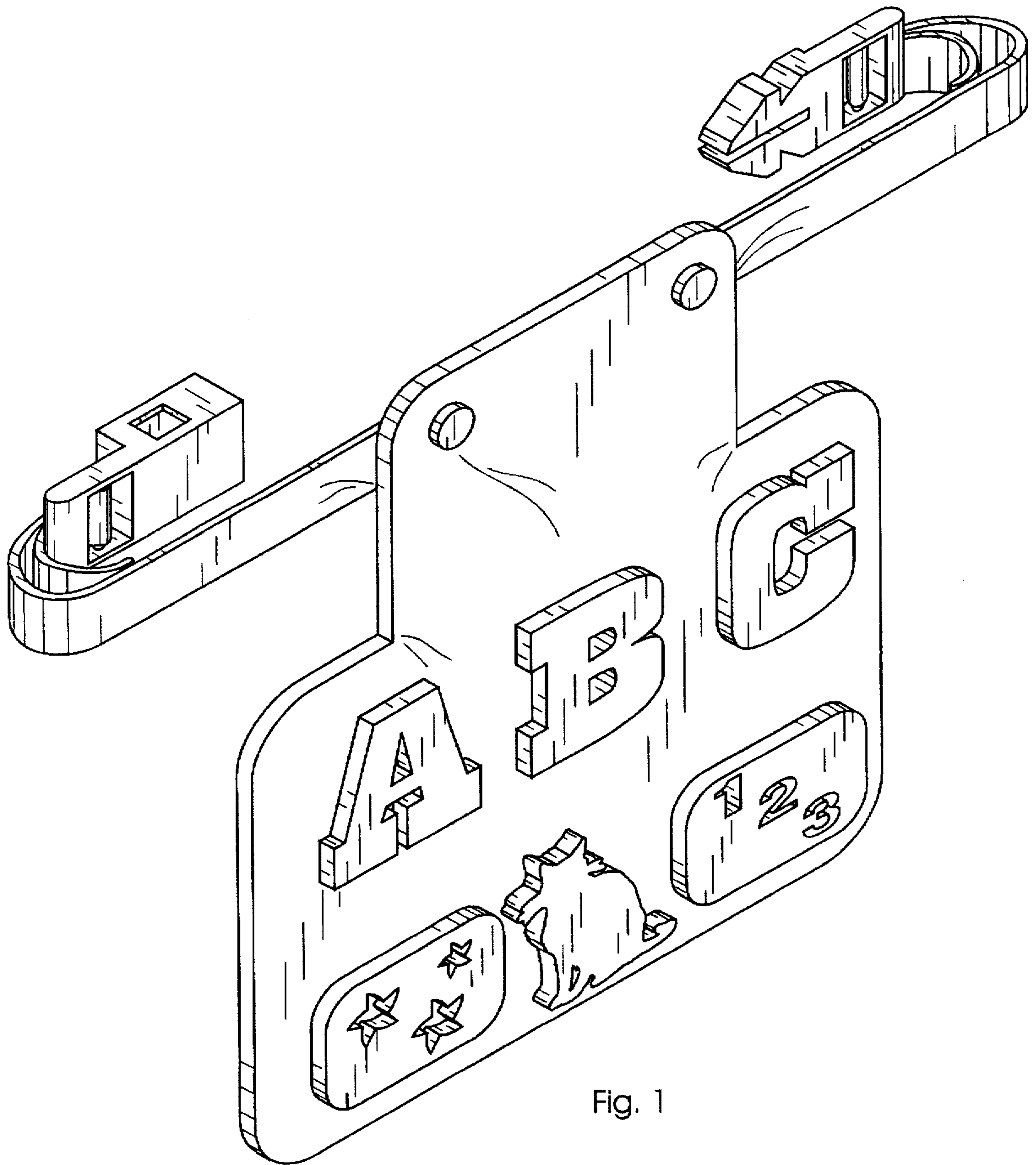


Fig. 1

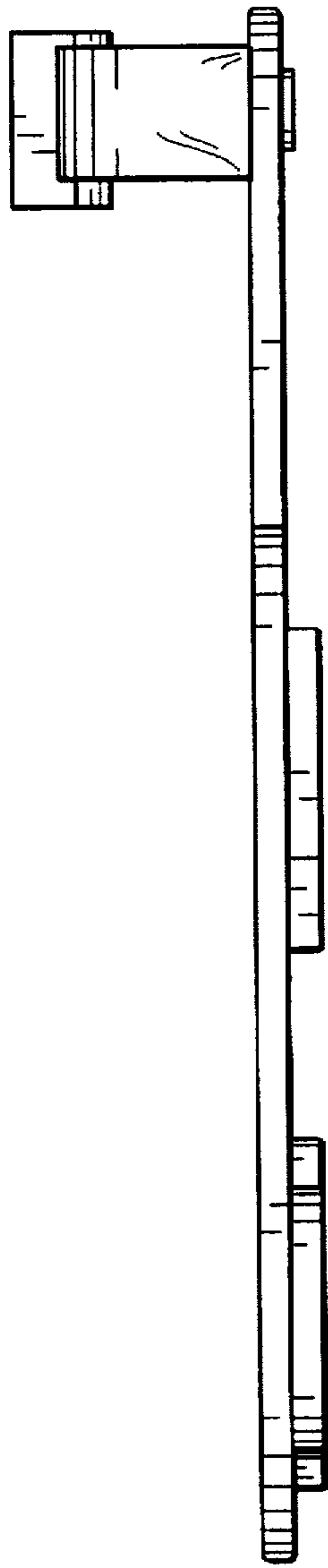


Fig. 2

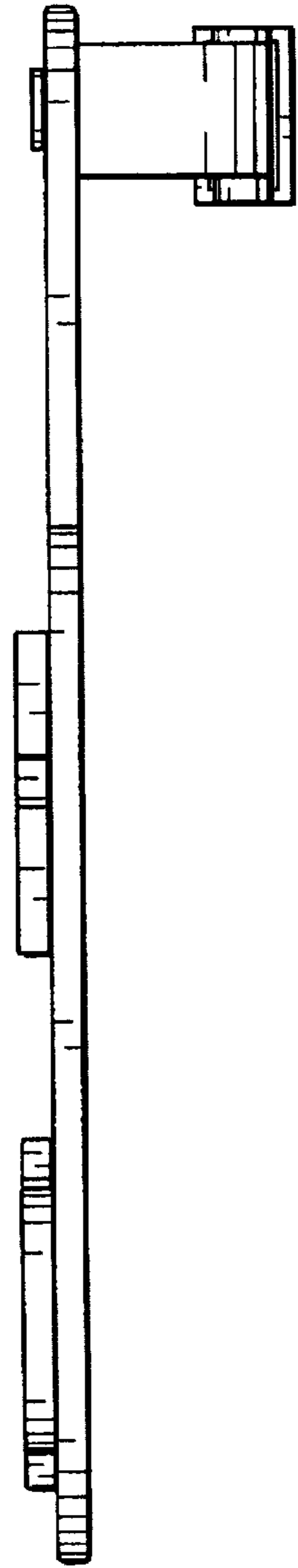


Fig. 3

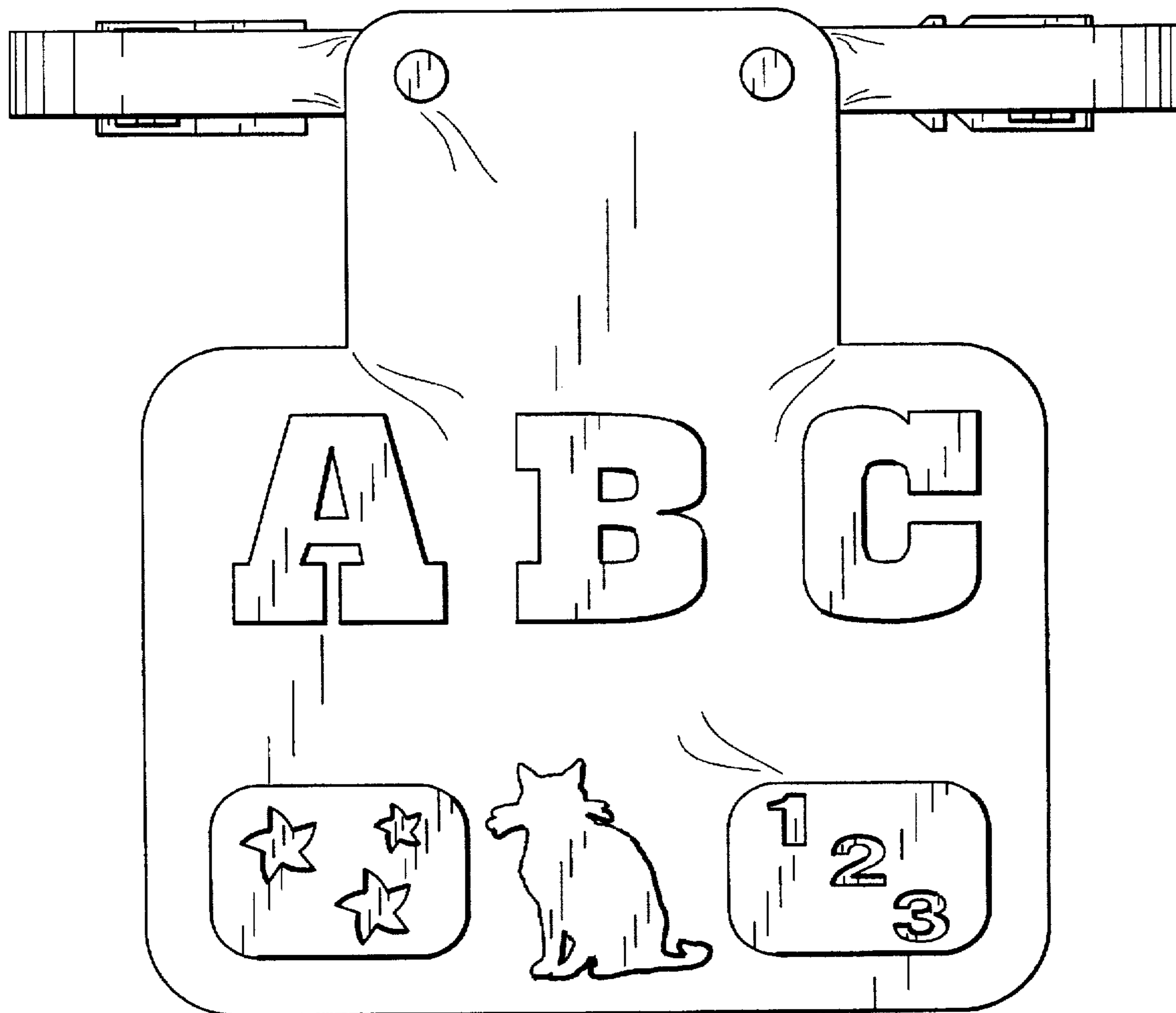


Fig. 4

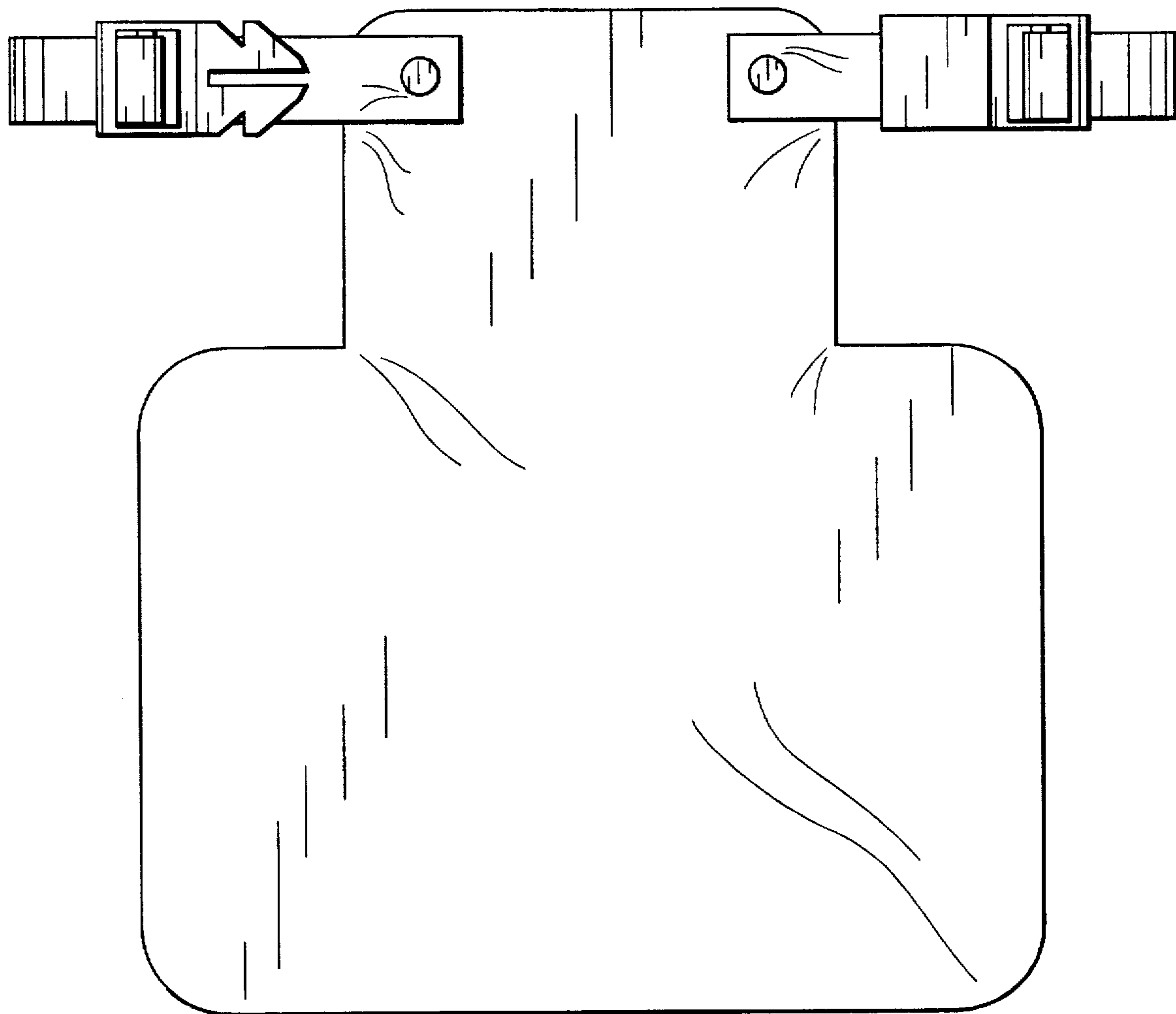


Fig. 5



Fig. 6

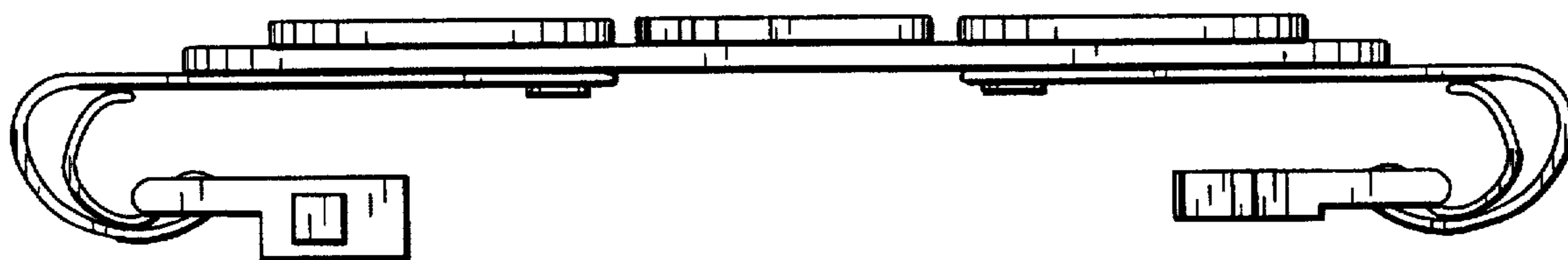


Fig. 7

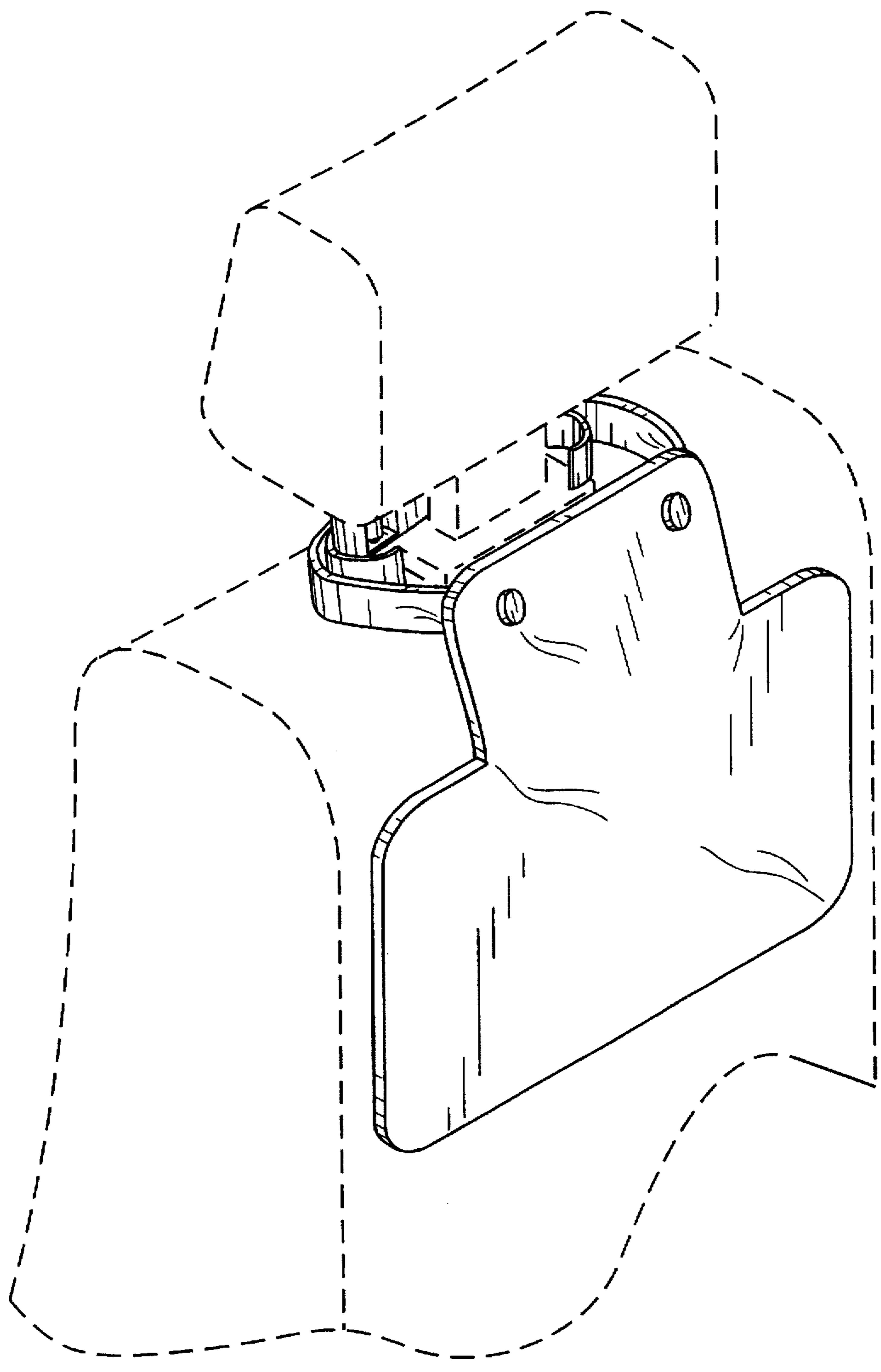


Fig. 8