

US00D390600S

United States Patent [19] Jordan

[11] Patent Number: **Des. 390,600**
[45] Date of Patent: ****Feb. 10, 1998**

[54] CALENDAR TRIM PIECE

[75] Inventor: **Howard Alexander Jordan**, London, Canada

[73] Assignee: **Howdan, Inc.**, Lambeth, Canada

[**] Term: **14 Years**

[21] Appl. No.: **42,192**

[22] Filed: **Aug. 3, 1995**

[30] Foreign Application Priority Data

May 8, 1995 [CA] Canada 1995-0996

[51] LOC (6) Cl. **19-03**

[52] U.S. Cl. **D19/20; D19/32; D20/44**

[58] Field of Search D19/32; 281/28, 281/45; 402/24, 25, 13, 17, 31, 73, 500; 24/67.9; D25/119, 164; 229/1.5; 52/716.1, 716.8, 717.6, 720.1, 204.59, 800.11, 800.12, 800.13, 800.14, 800.18; D20/44; 40/107

[56] References Cited

U.S. PATENT DOCUMENTS

D. 206,428	12/1966	Feldmahr	D19/32
D. 333,322	2/1993	Lindblom et al.	D20/44
D. 343,420	1/1994	Sorenson et al.	D20/44
1,969,489	8/1934	Wege	52/800.11 X
2,353,777	7/1944	Weissert	52/800.12 X
2,774,161	12/1956	Dixon	40/119
2,965,992	12/1960	Paschal	40/107

FOREIGN PATENT DOCUMENTS

121291	4/1946	Australia	52/800.14
1057640	9/1954	France	52/716.1
1143888	4/1957	France	24/67.9
1150296	of 1958	France	24/67.9
1456922	of 1966	France	24/67.9
506713	9/1956	Italy	52/716.1
394118	of 1965	Switzerland	24/67.9
667846	11/1988	United Kingdom	24/67.9

OTHER PUBLICATIONS

Anchor Plastics, ©1960 (cover of publication) Element A Extruded shape.

Primary Examiner—Pamela J. Burgess
Attorney, Agent, or Firm—Volpe and Koenig, P.C.

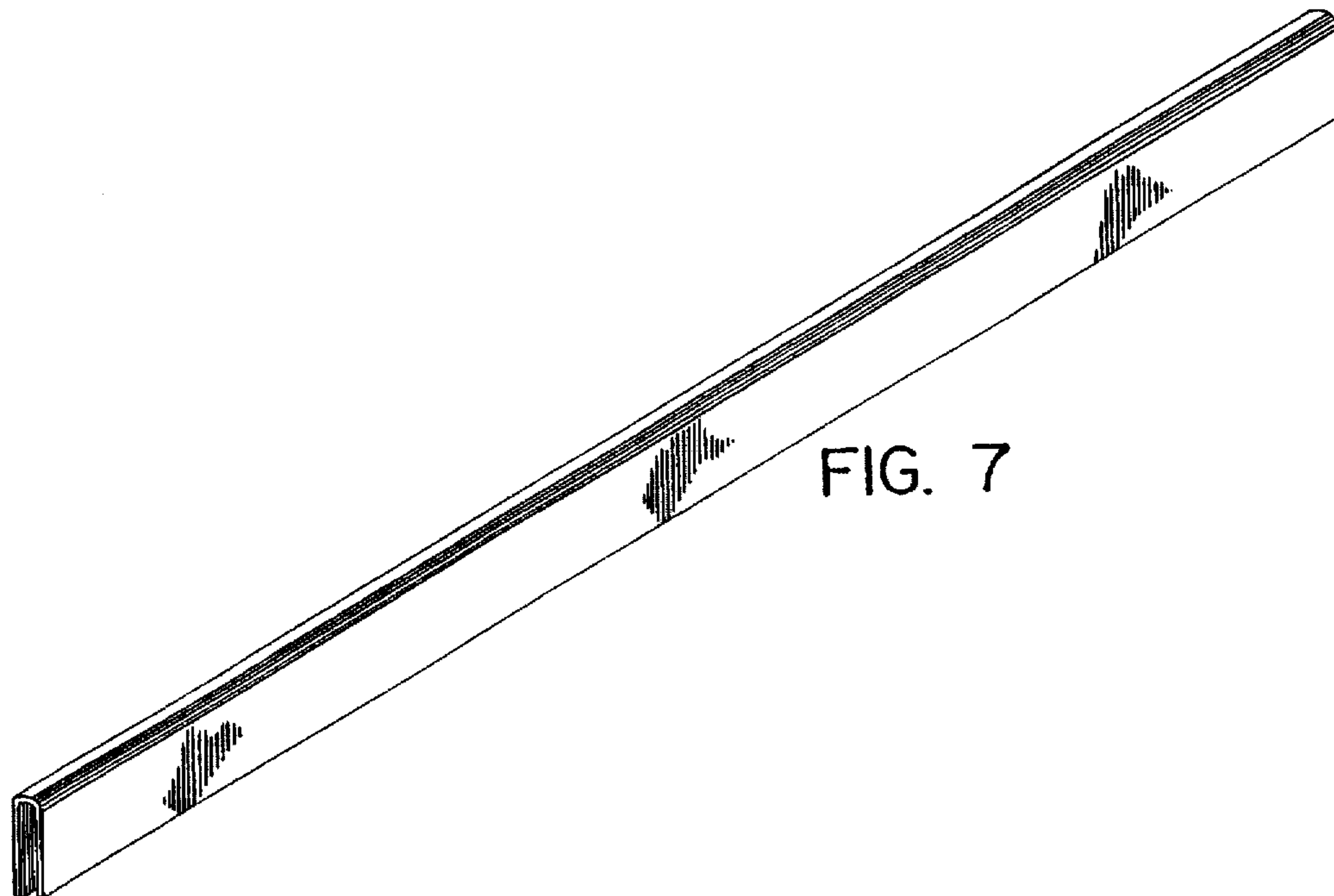
[57] CLAIM

The ornamental design for a calendar trim piece, as shown and described.

DESCRIPTION

FIG. 1 is a front elevational view of a calendar trim piece showing my new design;
FIG. 2 is a rear elevational view thereof;
FIG. 3 is a bottom plan view thereof;
FIG. 4 is a top plan view thereof;
FIG. 5 is a left side elevational view thereof;
FIG. 6 is a right side elevational view thereof; and,
FIG. 7 is a front top perspective view thereof.

1 Claim, 2 Drawing Sheets



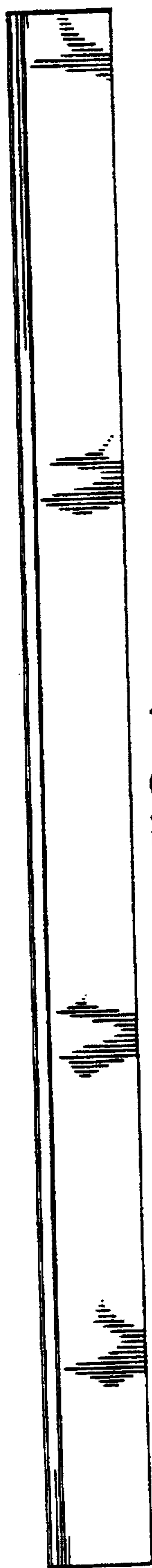


FIG. 1

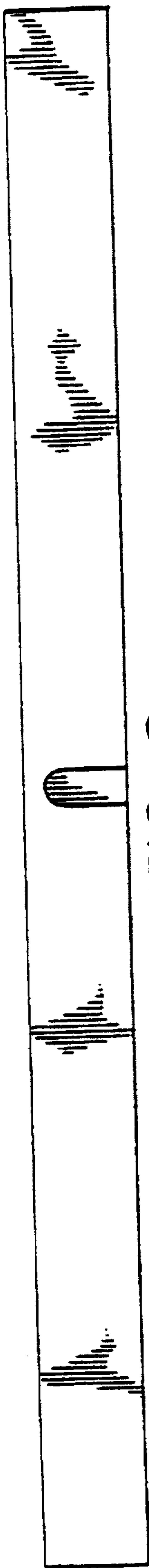


FIG. 2



FIG. 3

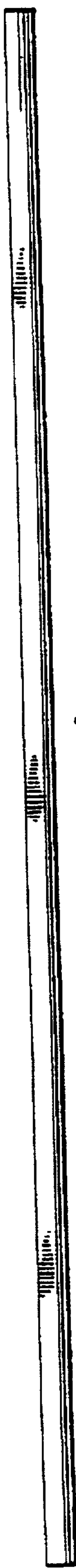


FIG. 4



FIG. 5

FIG. 6

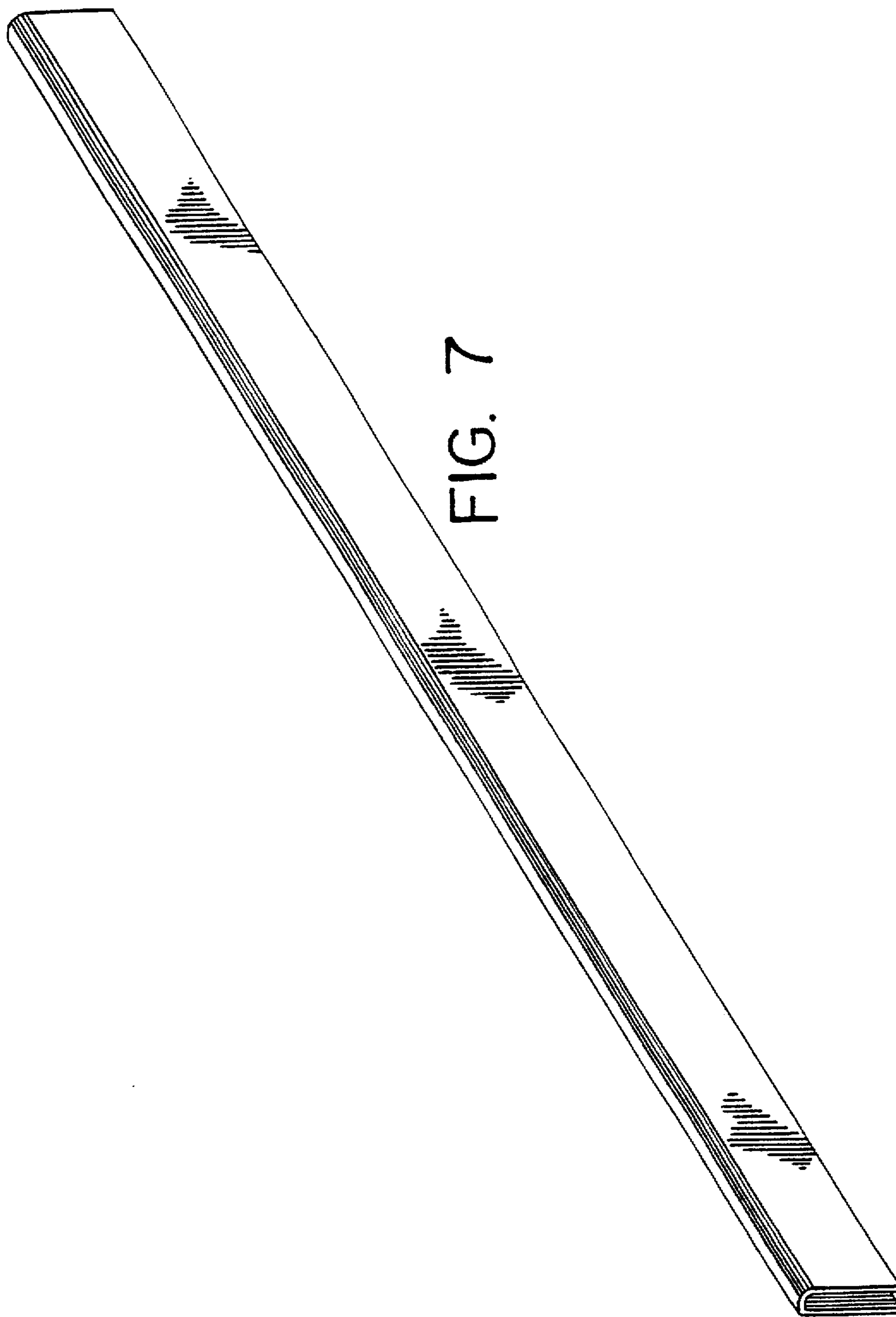


FIG. 7