



US00D390597S

United States Patent [19]

[11] Patent Number: **Des. 390,597**

Igarashi et al.

[45] Date of Patent: ****Feb. 10, 1998**

[54] **PRINTER FOR ELECTRONIC COMPUTER**

[75] Inventors: **Masaaki Igarashi**, Tokyo; **Hiroyuki Tokuda**, Yokohama, both of Japan

[73] Assignee: **Canon Kabushiki Kaisha**, Tokyo, Japan

[**] Term: **14 Years**

[21] Appl. No.: **67,602**

[22] Filed: **Mar. 11, 1997**

[30] **Foreign Application Priority Data**

Sep. 13, 1996 [JP] Japan 8-27488

[51] LOC (6) Cl. **18-02**

[52] U.S. Cl. **D18/55**

[58] Field of Search D18/49-50, 54-55; 400/613, 613.1-613.4, 691-694, 690.1-690.4

[56] **References Cited**

U.S. PATENT DOCUMENTS

- D. 339,159 9/1993 Pruitt et al. D18/49
- D. 343,637 1/1994 Umino et al. D18/55
- D. 344,754 3/1994 Parsey D18/55
- D. 349,922 8/1994 Tashiro D18/50
- D. 350,364 9/1994 Kawashima et al. D18/50

- D. 364,420 11/1995 Kawashima D18/54
- D. 370,025 5/1996 Weng D14/118
- D. 371,158 6/1996 Yoshida D18/50
- D. 378,100 2/1997 Sekine D18/54
- D. 378,378 3/1997 Nakazawa et al. D18/54

OTHER PUBLICATIONS

Mirco Center The computer Department Store; p. 17; Canon BubbleJet 200e Inkjet Printer; Aug. 1994.

Primary Examiner—Cathy Anne MacCormac
Attorney, Agent, or Firm—Fitzpatrick, Cella, Harper & Scinto

[57] **CLAIM**

The ornamental design for a printer for electronic computer, as shown and described.

DESCRIPTION

FIG. 1 is a front view of a printer for electronic computer showing our new design;
 FIG. 2 is a rear view thereof;
 FIG. 3 is a top plan view thereof;
 FIG. 4 is a bottom plan view thereof;
 FIG. 5 is a left side view thereof;
 FIG. 6 is a right side view thereof; and,
 FIG. 7 is a perspective view thereof.

1 Claim, 6 Drawing Sheets

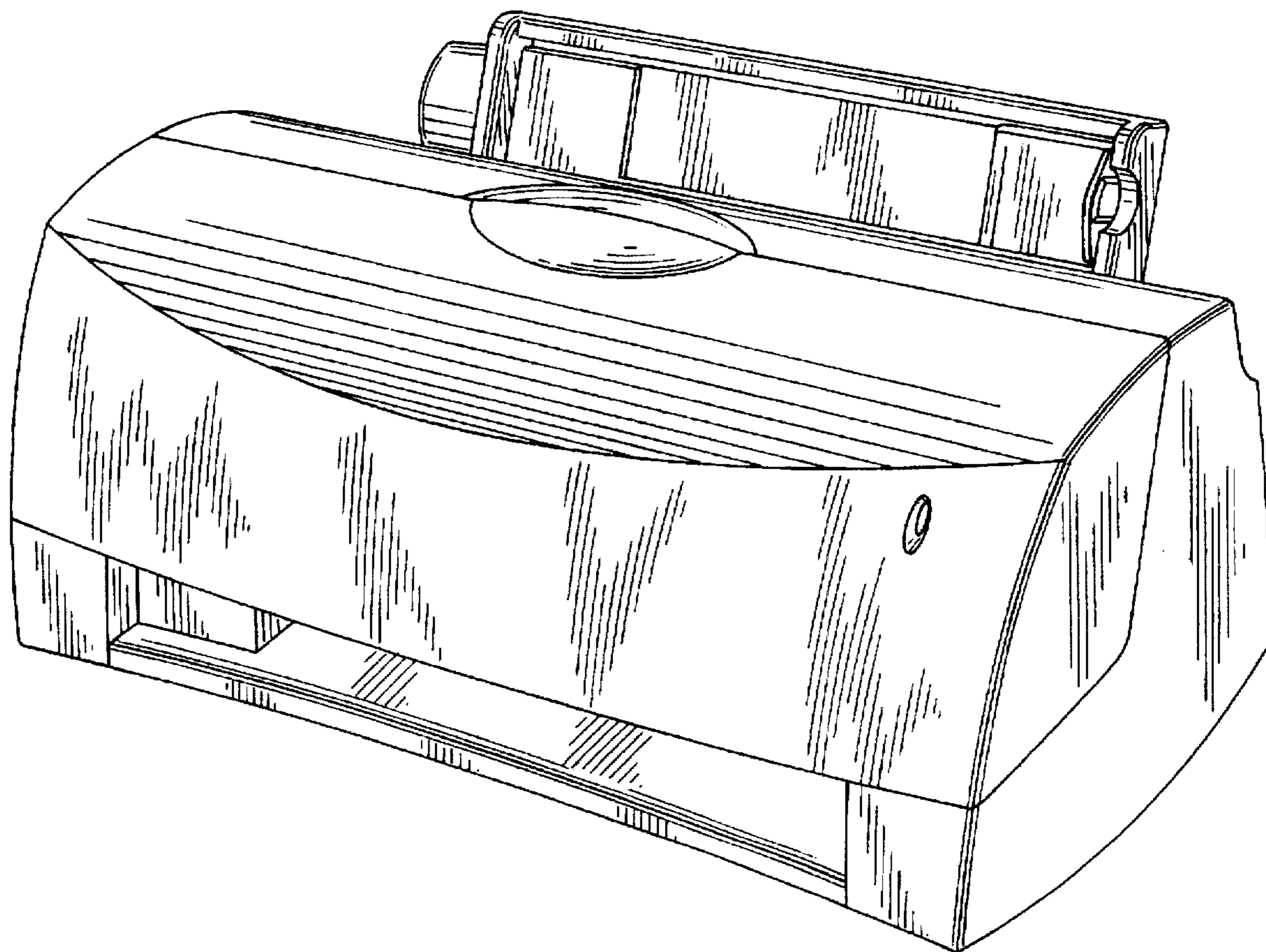


FIG. 1

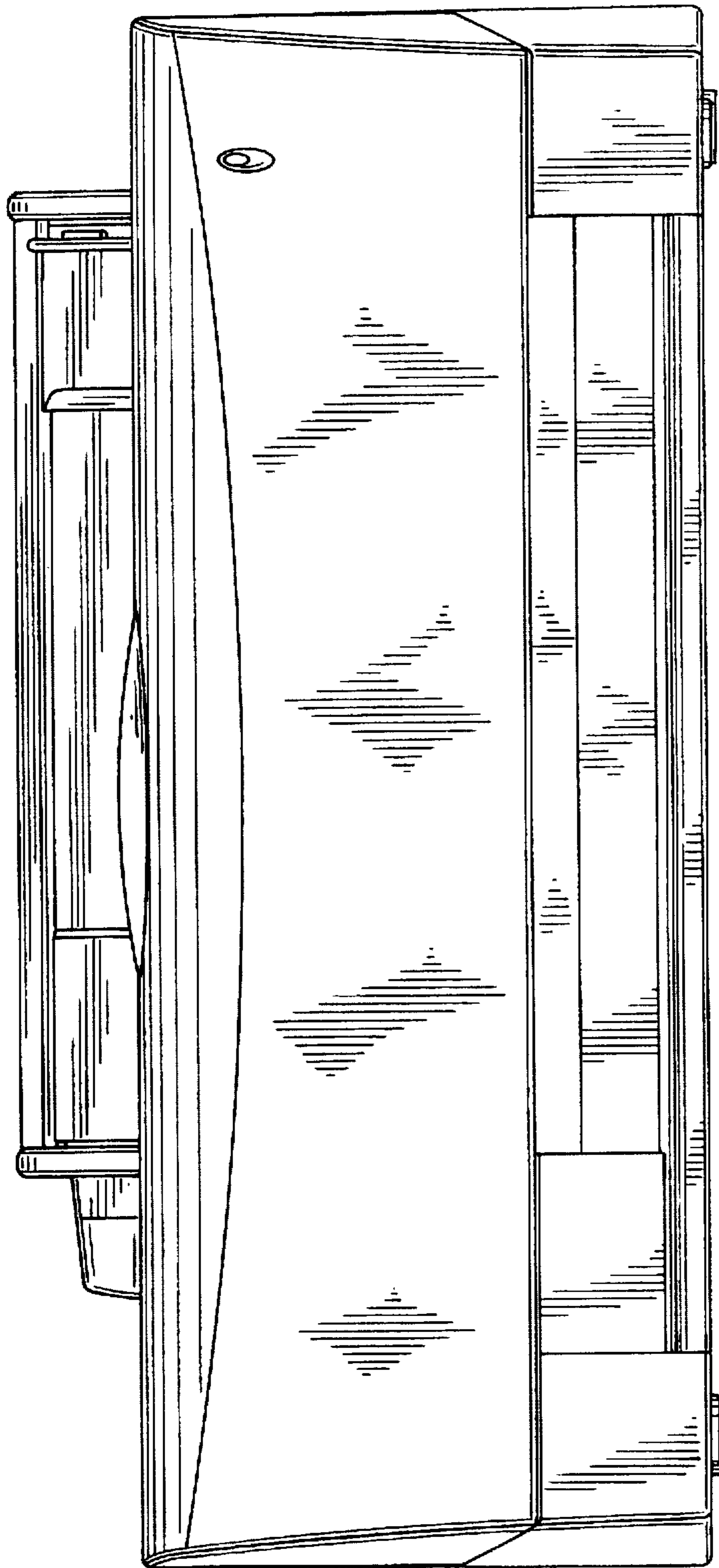


FIG. 2

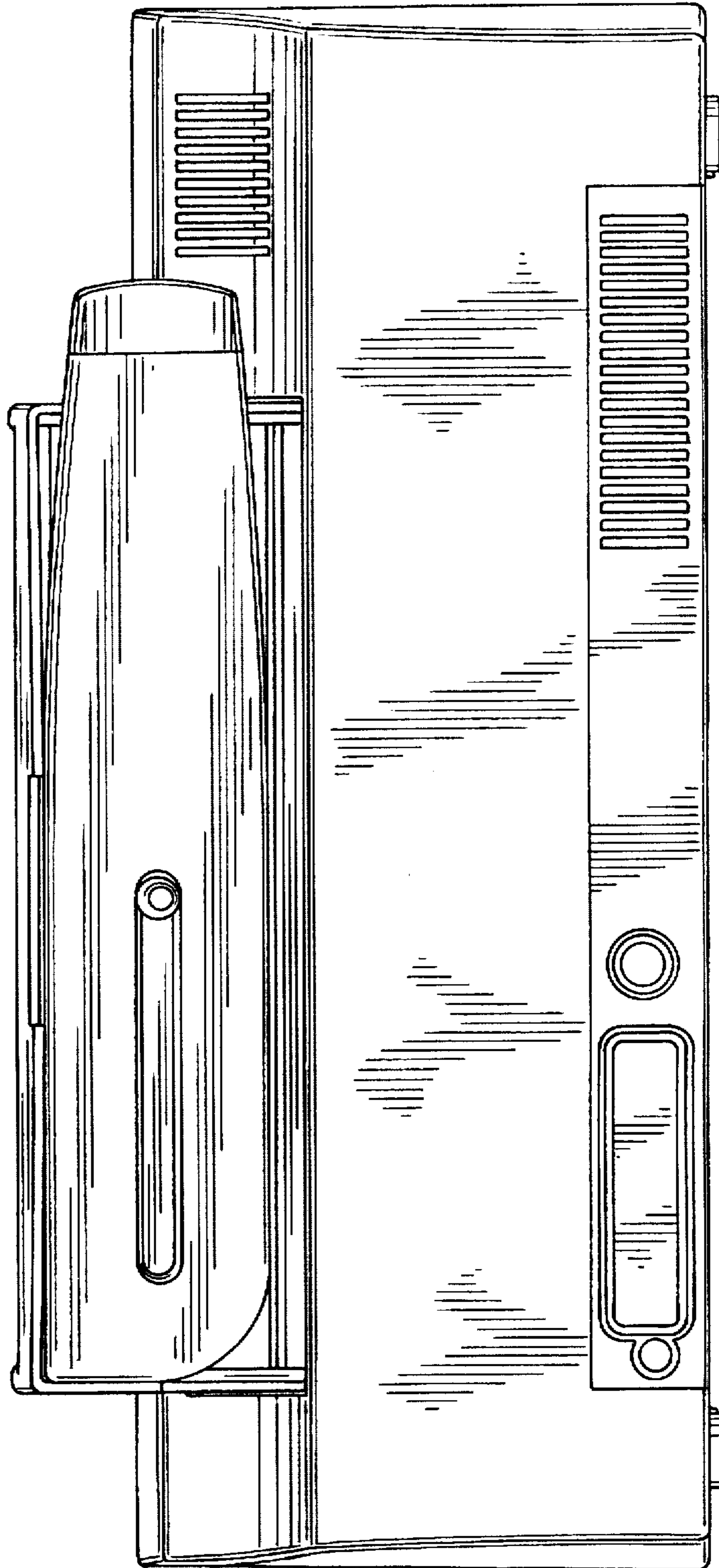


FIG. 3

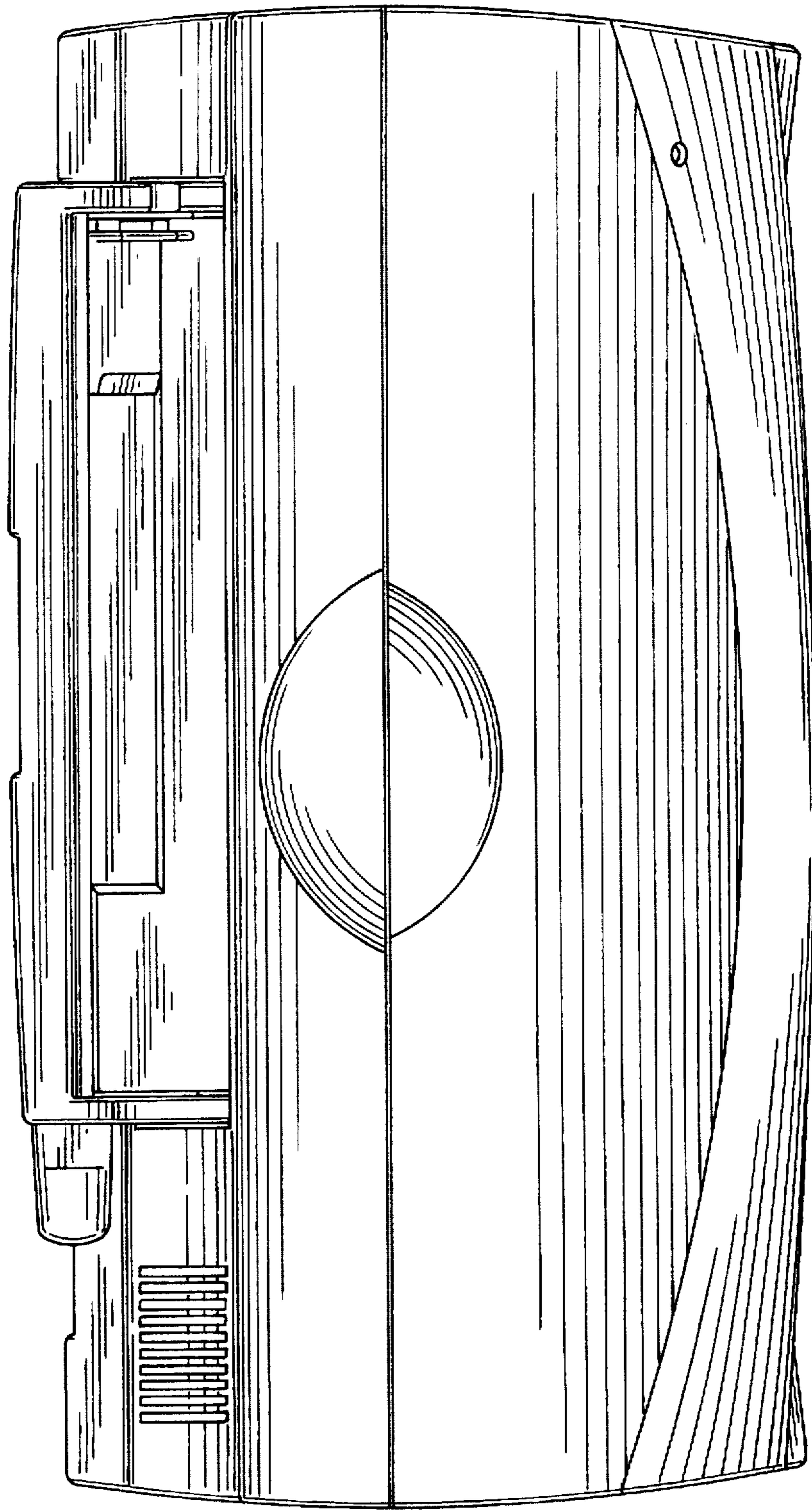


FIG. 4

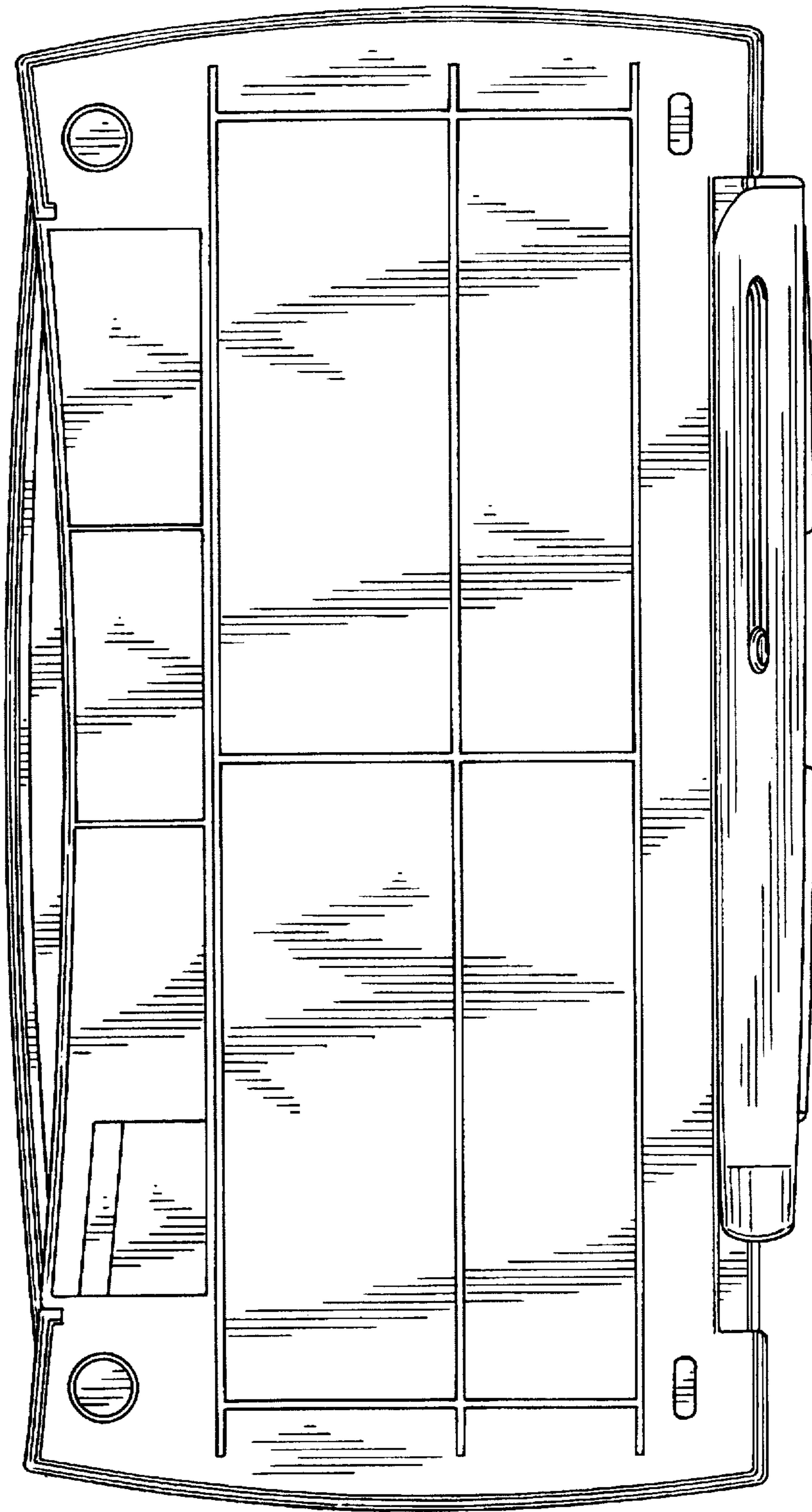


FIG. 5

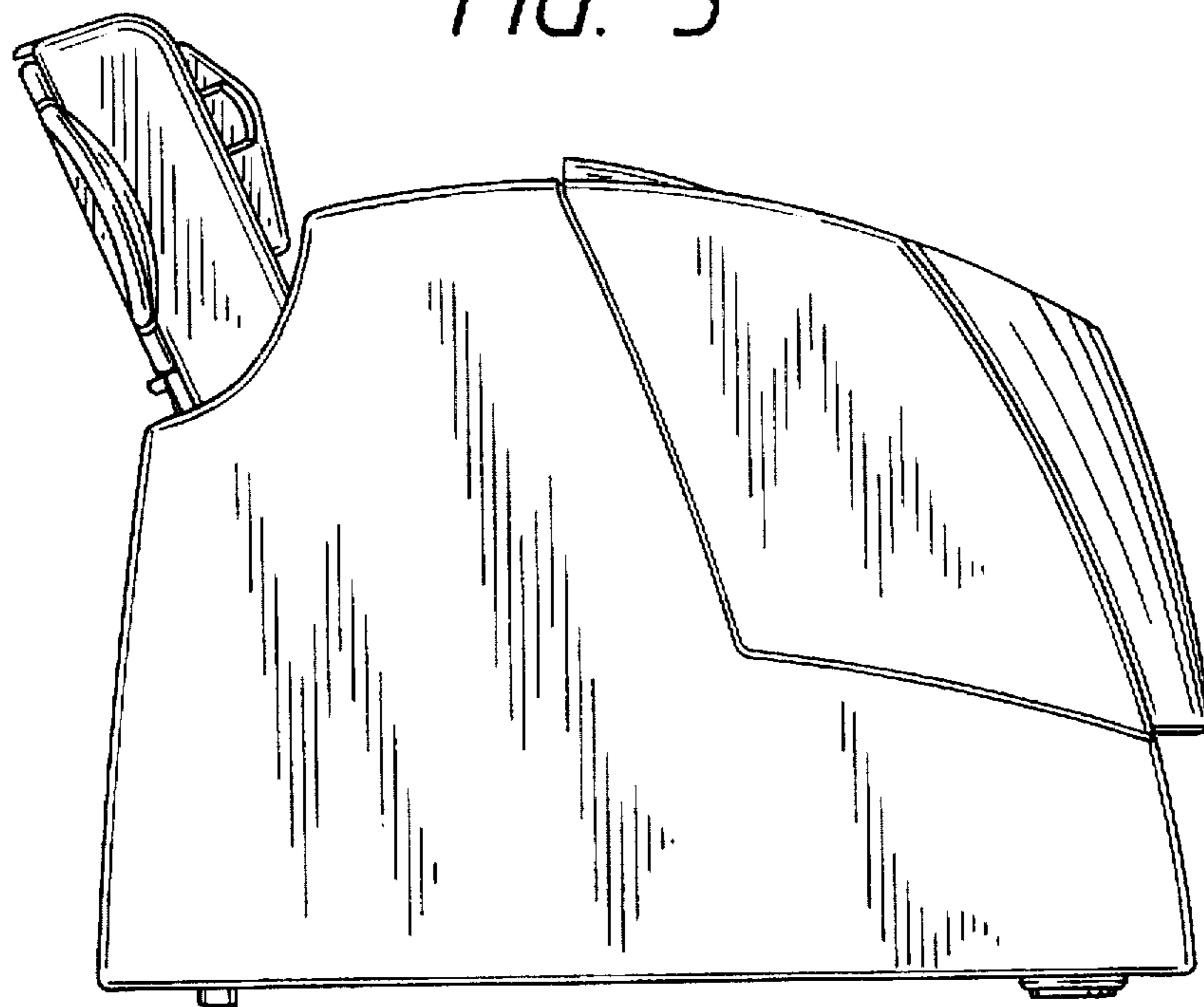


FIG. 6

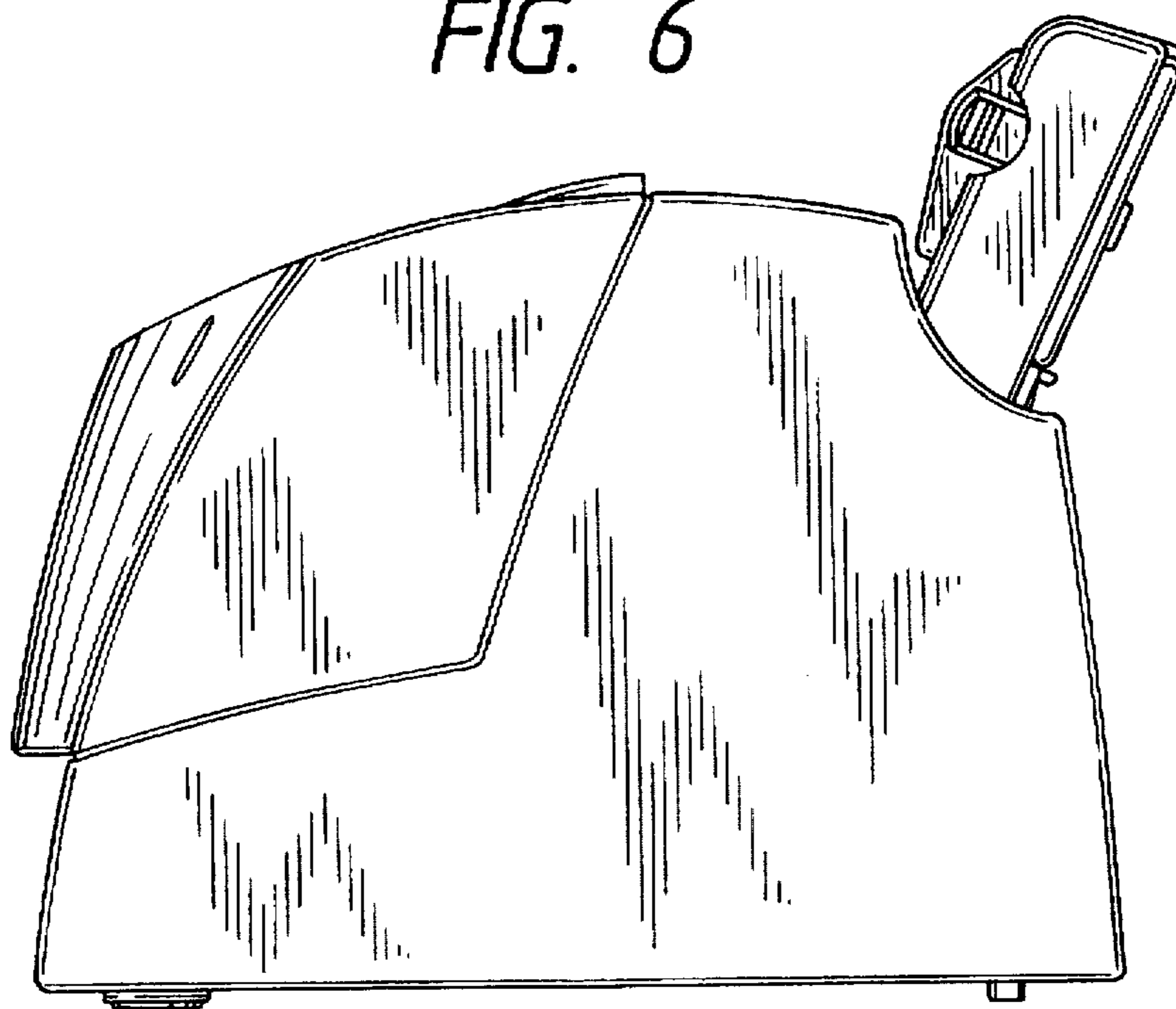


FIG. 7

