



US00D390593S

# United States Patent [19]

Inoue

[11] Patent Number: **Des. 390,593**

[45] Date of Patent: **\*\*Feb. 10, 1998**

## [54] **PRINTER FOR ELECTRONIC COMPUTER**

[75] Inventor: **Manabu Inoue**, Yokohama, Japan

[73] Assignee: **Canon Kabushiki Kaisha**, Tokyo, Japan

[\*\*] Term: **14 Years**

[21] Appl. No.: **58,018**

[22] Filed: **Aug. 6, 1996**

### [30] **Foreign Application Priority Data**

Apr. 11, 1996 [JP] Japan ..... 8-10568

[51] LOC (6) Cl. .... **18-02**

[52] U.S. Cl. .... **D18/54**

[58] Field of Search ..... D18/50, 54-55,  
D18/36-39; 400/691-694, 690.1-690.4,  
613, 613.1-613.4; D14/118

### [56] **References Cited**

#### **U.S. PATENT DOCUMENTS**

- D. 339,159 9/1993 Pruitt et al. .... D18/55
- D. 344,754 3/1994 Parsey ..... D18/55
- D. 349,922 8/1994 Tashiro ..... D18/50

- D. 364,420 11/1995 Kawashima ..... D18/54
- D. 378,100 2/1997 Sekine ..... D18/55

#### **OTHER PUBLICATIONS**

Micro Center The Computer Department Store catalog; p. 17; Canon BubbleJect 200e, Aug. 1994.  
Ablette 10 Printer Copier brochure; Cover photograph, Apr. 1994.

*Primary Examiner*—Cathy Anne MacCormac  
*Attorney, Agent, or Firm*—Fitzpatrick, Cella, Harper & Scinto

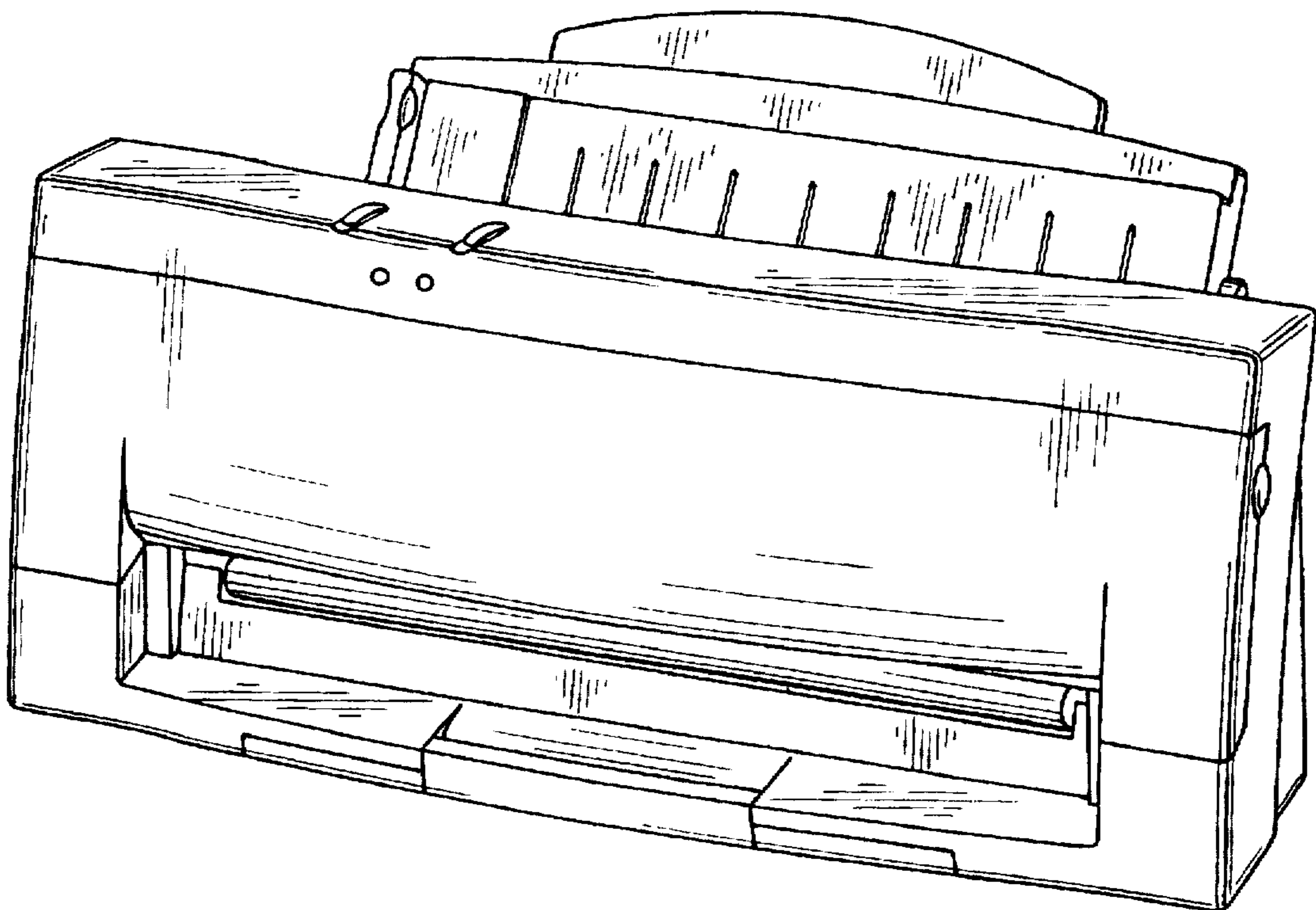
### [57] **CLAIM**

The ornamental design for a printer for electronic computer, as shown and described.

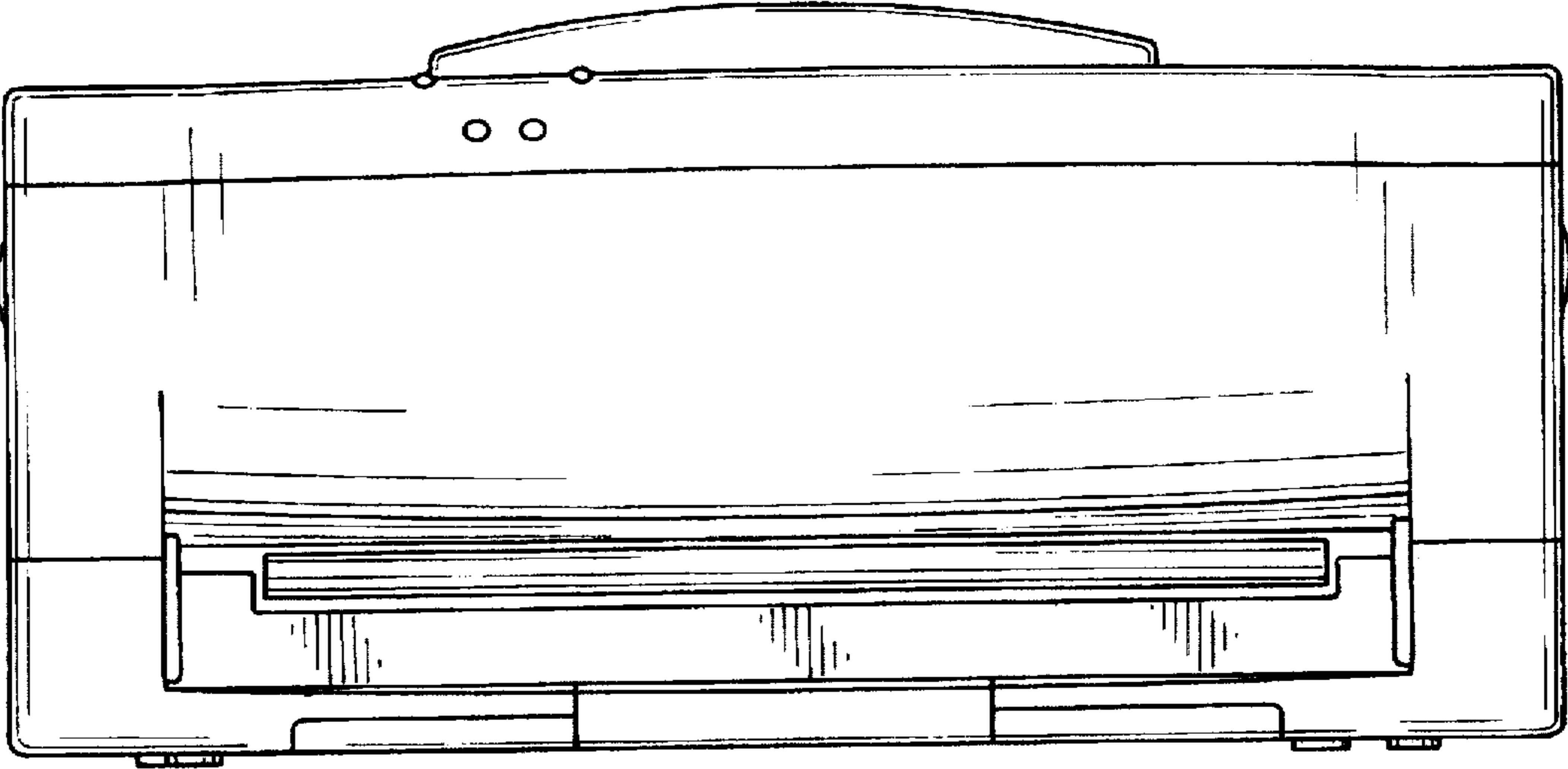
### **DESCRIPTION**

FIG. 1 is a front view of a printer for electronic computer showing my new design;  
FIG. 2 is a rear view thereof;  
FIG. 3 is a top plan view thereof;  
FIG. 4 is a bottom plan view thereof;  
FIG. 5 is a left side view thereof;  
FIG. 6 is a right side view thereof; and,  
FIG. 7 is a perspective view thereof.

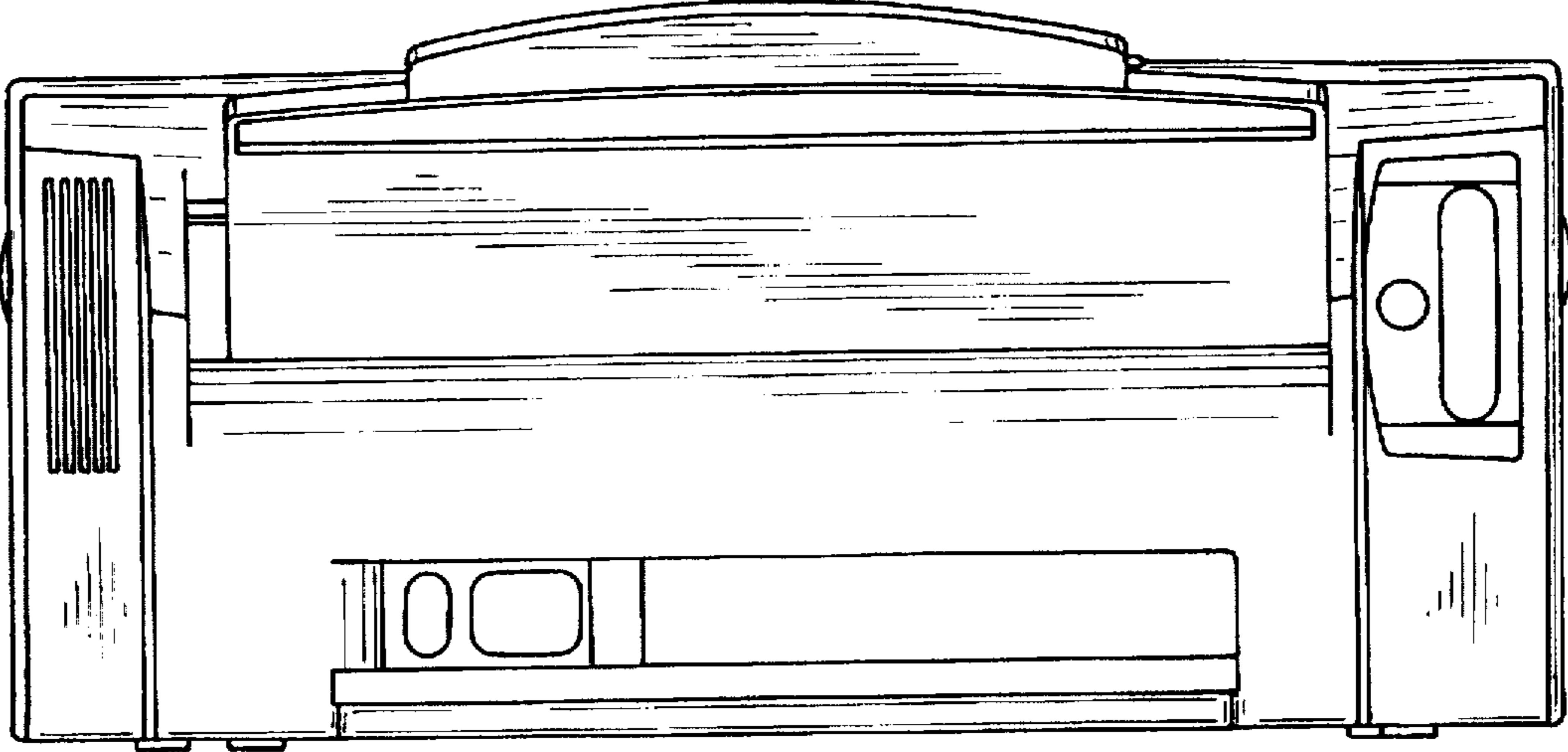
**1 Claim, 4 Drawing Sheets**



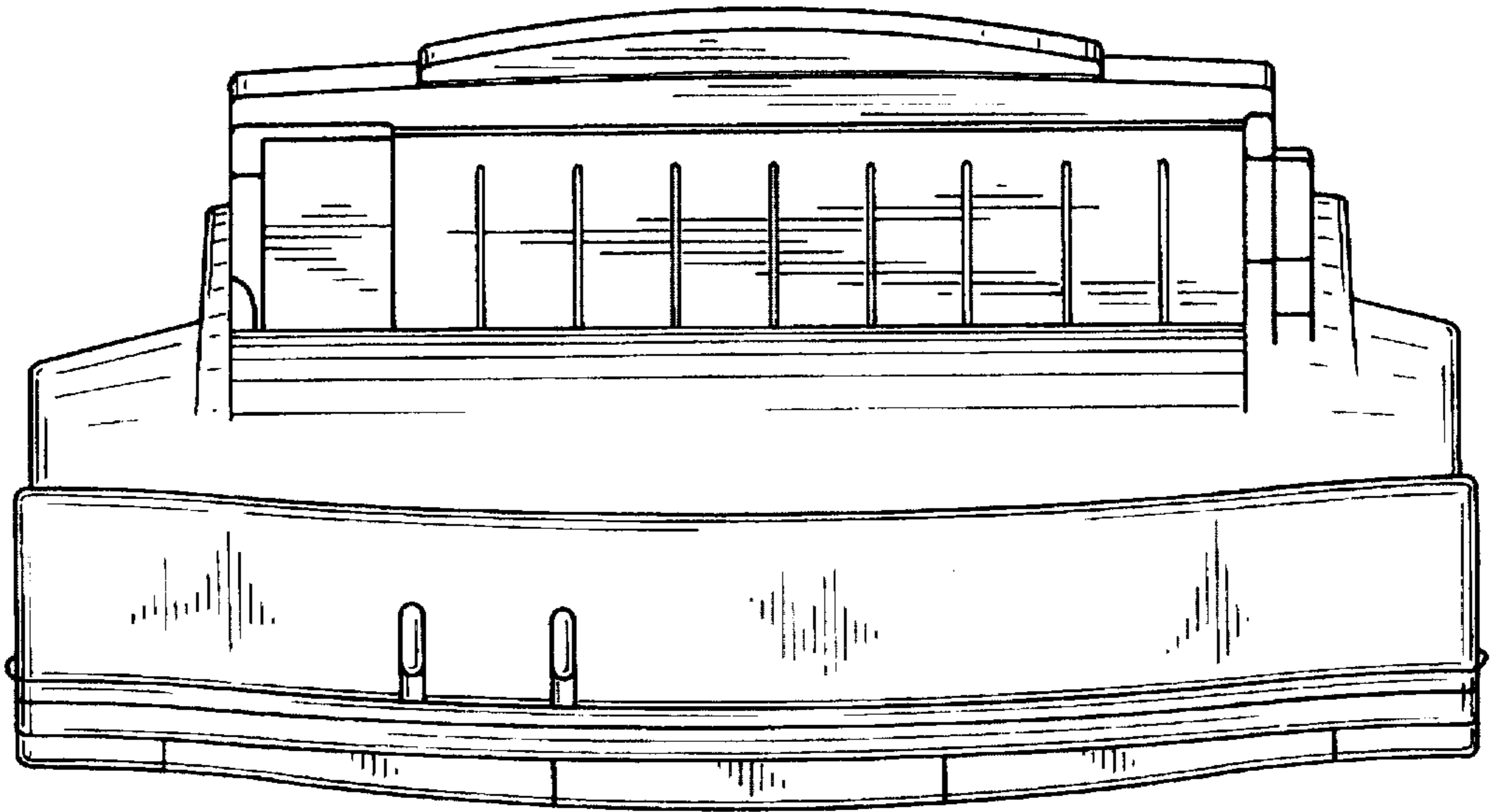
*FIG. 1*



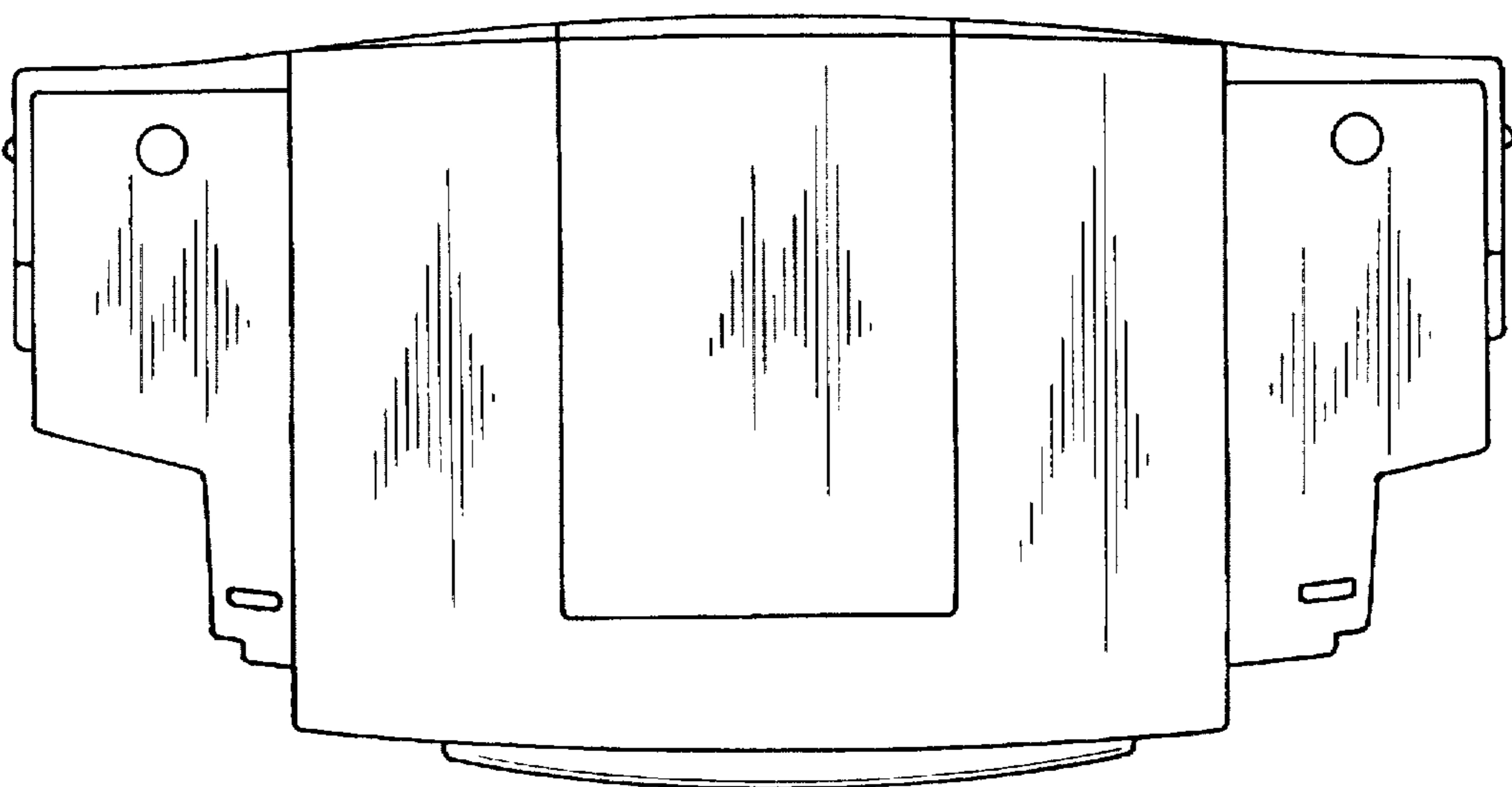
*FIG. 2*



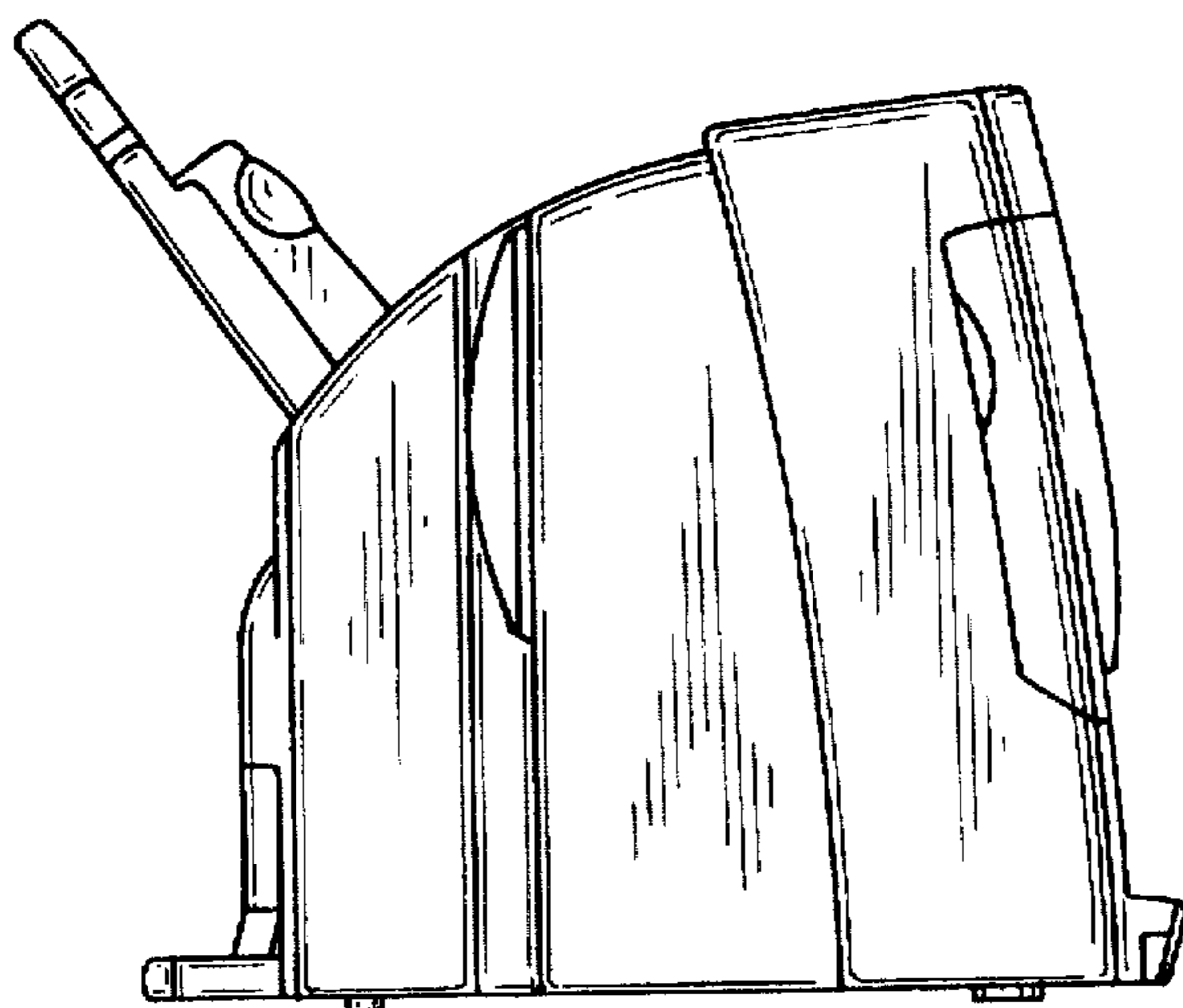
*FIG. 3*



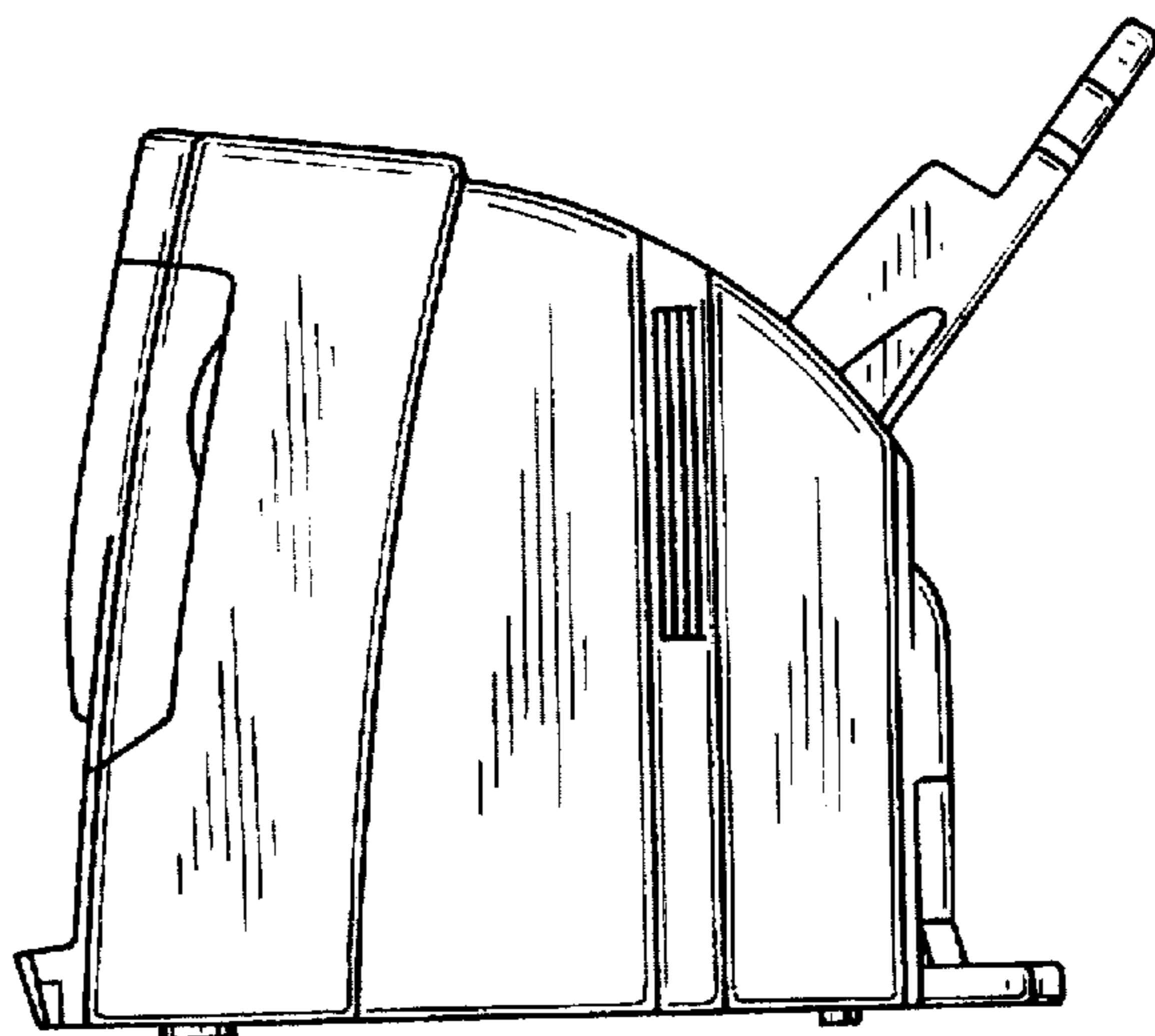
*FIG. 4*



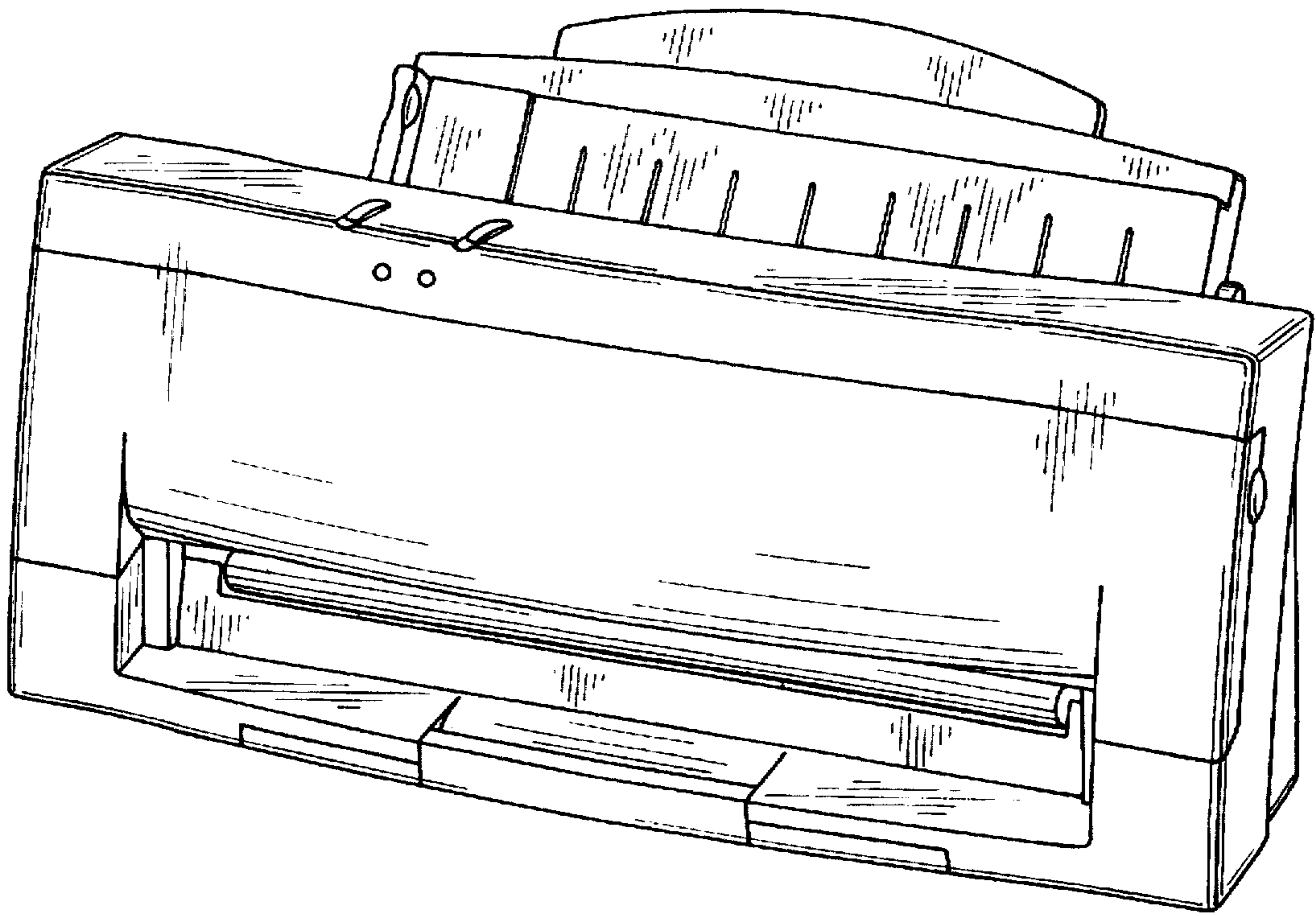
*FIG. 5*



*FIG. 6*



*FIG. 7*



UNITED STATES PATENT AND TRADEMARK OFFICE  
**CERTIFICATE OF CORRECTION**

PATENT NO. : Des. 390,593  
DATED : February 10, 1998  
INVENTOR(S) : MANABU INOUE

It is certified that error appears in the above-identified patent and that said Letters Patent is hereby corrected as shown below:

Item

[56] REFERENCES CITED

U.S. Patent Documents

Insert: --D. 343,637	1/1994	Umino et al.	D18/55--
Insert: --D. 370,496	6/1996	Inoue et al.	D18/50--.
Insert: --D. 370,495	6/1996	Inoue et al.	D18/50--.

Signed and Sealed this  
Sixteenth Day of June, 1998

Attest:



BRUCE LEHMAN

Attesting Officer

Commissioner of Patents and Trademarks