



US00D390587S

# United States Patent [19]

Schelling et al.

[11] Patent Number: **Des. 390,587**

[45] Date of Patent: **\*\*Feb. 10, 1998**

[54] **CAMERA WITH AN EXTENDABLE LENS AND FOLDABLE FLASH**

[75] Inventors: **Anna C. Schelling**, Geneva; **Bruce A. Leonard**, Honeoye Falls, both of N.Y.

[73] Assignee: **Eastman Kodak Company**, Rochester, N.Y.

[\*\*] Term: **14 Years**

[21] Appl. No.: **68,103**

[22] Filed: **Feb. 10, 1997**

[51] LOC (6) Cl. .... **16-01**

[52] U.S. Cl. .... **D16/209; D16/211**

[58] Field of Search ..... **D16/200-205, D16/208, 209, 211, 216, 217, 218; 396/348-352, 439, 448**

[56] **References Cited**

**U.S. PATENT DOCUMENTS**

|            |        |                |       |         |
|------------|--------|----------------|-------|---------|
| D. 285,087 | 8/1986 | Hansen         | ..... | D16/211 |
| D. 358,831 | 5/1995 | Kozu           | ..... | D16/209 |
| D. 370,924 | 6/1996 | McBride et al. | ..... | D16/209 |
| D. 373,594 | 9/1996 | McBride et al. | ..... | D16/209 |
| 5,212,510  | 5/1993 | Baxter         | ..... | 396/349 |

*Primary Examiner*—Philip S. Hyder  
*Assistant Examiner*—Adir Aronovich  
*Attorney, Agent, or Firm*—Roger A. Fields

[57] **CLAIM**

The ornamental design for a camera with an extendable lens and foldable flash, as shown.

**DESCRIPTION**

FIG. 1 is a front, top, right-side, perspective view of a camera with an extendable lens in a retracted position and with a foldable flash in a folded position, showing my new design;

FIG. 2 is a rear, bottom, left-side, perspective view thereof;

FIG. 3 is a front elevation view thereof;

FIG. 4 is a rear elevation view thereof;

FIG. 5 is a top plan view thereof;

FIG. 6 is a bottom plan view thereof;

FIG. 7 is a right-side elevation view thereof;

FIG. 8 is a left-side elevation view thereof;

FIG. 9 is a front elevation view thereof, with the foldable flash in an unfolded position;

FIG. 10 is a rear elevation view thereof;

FIG. 11 is a top plan view thereof;

FIG. 12 is a bottom plan view thereof;

FIG. 13 is a right-side elevation view thereof;

FIG. 14 is a left-side elevation view thereof;

FIG. 15 is a front elevation view thereof, with the extendable lens in an extended position;

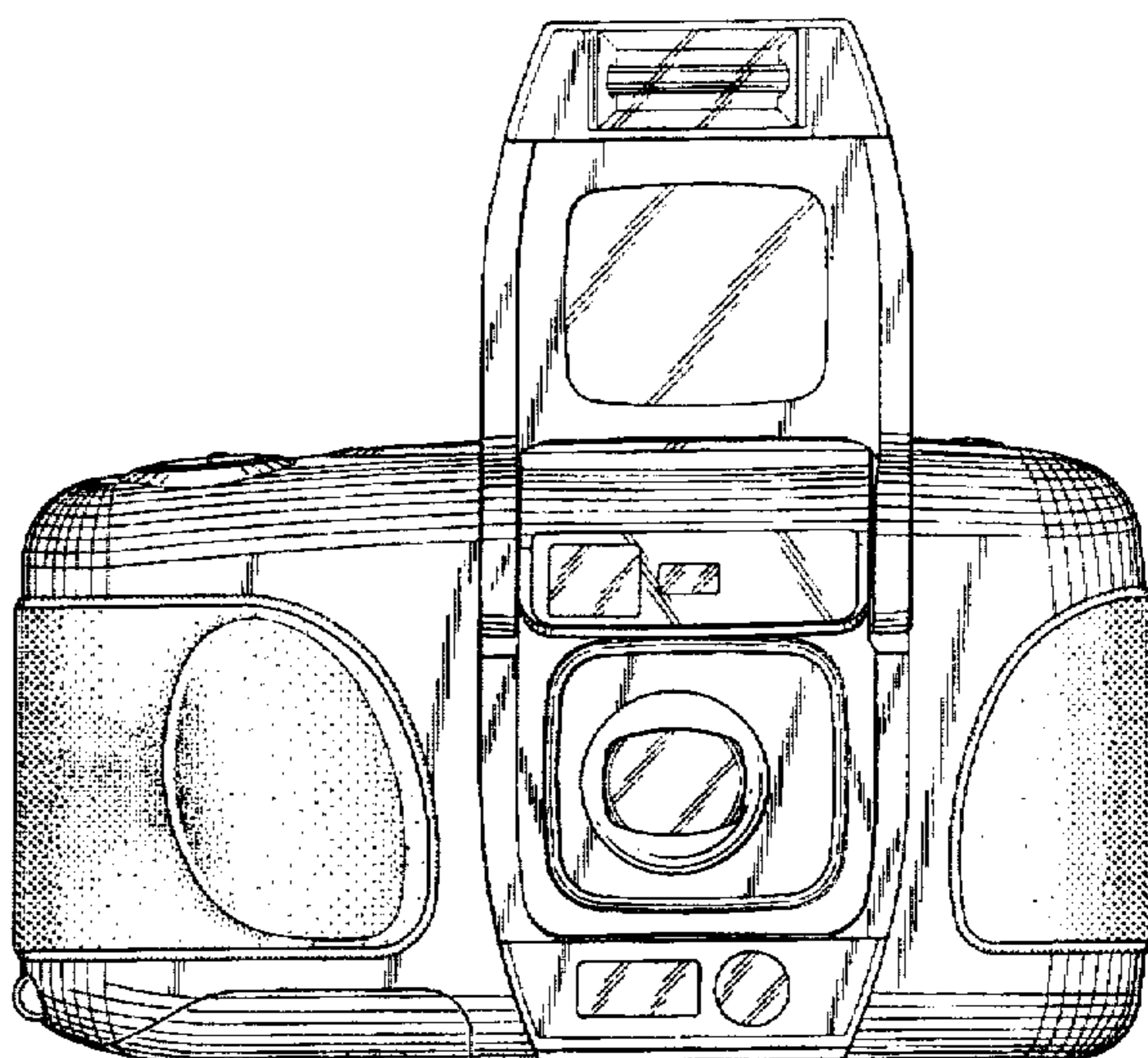
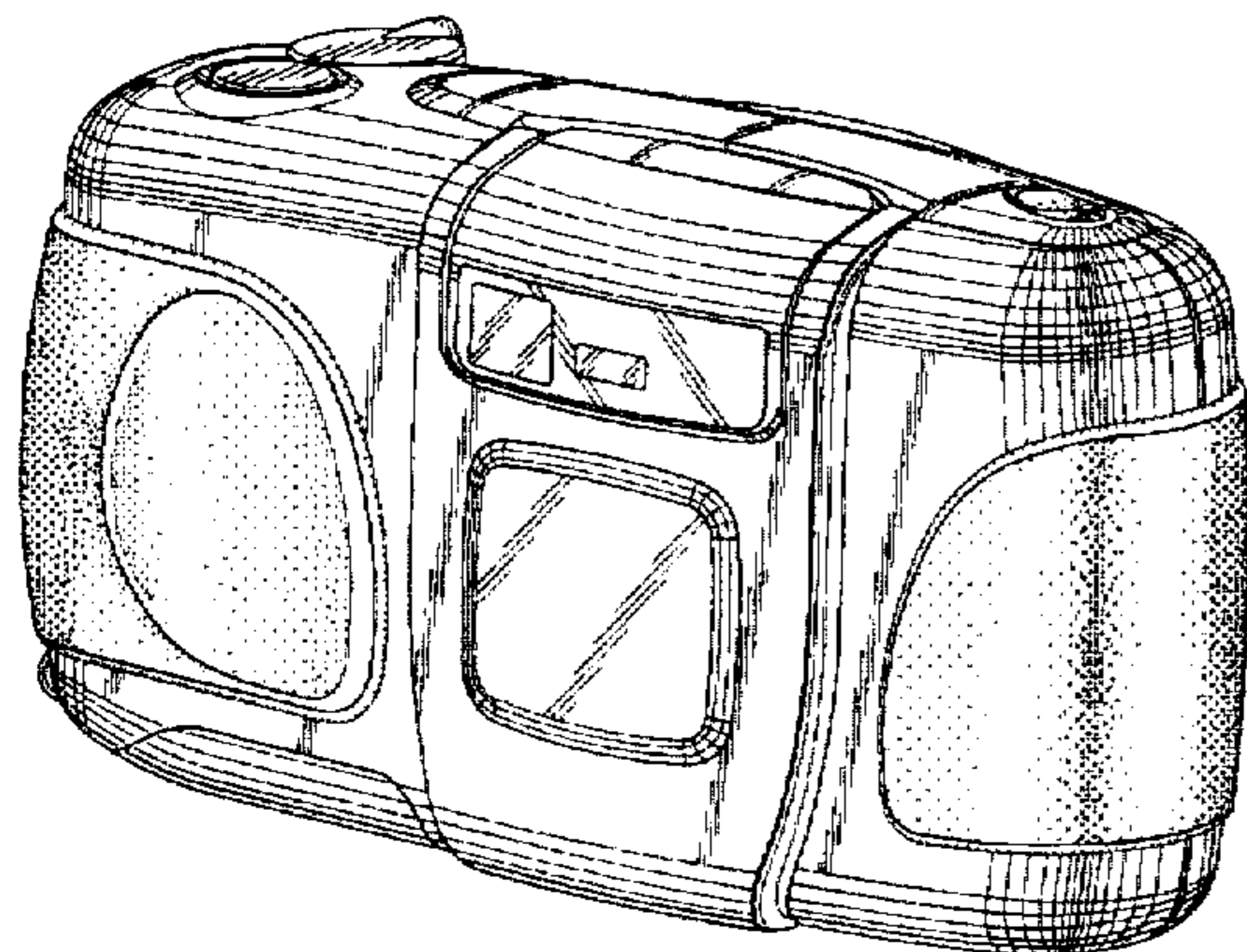
FIG. 16 is a top plan view thereof;

FIG. 17 is a bottom plan view thereof;

FIG. 18 is a right-side elevation view thereof; and,

FIG. 19 is a left-side elevation view thereof.

**1 Claim, 19 Drawing Sheets**



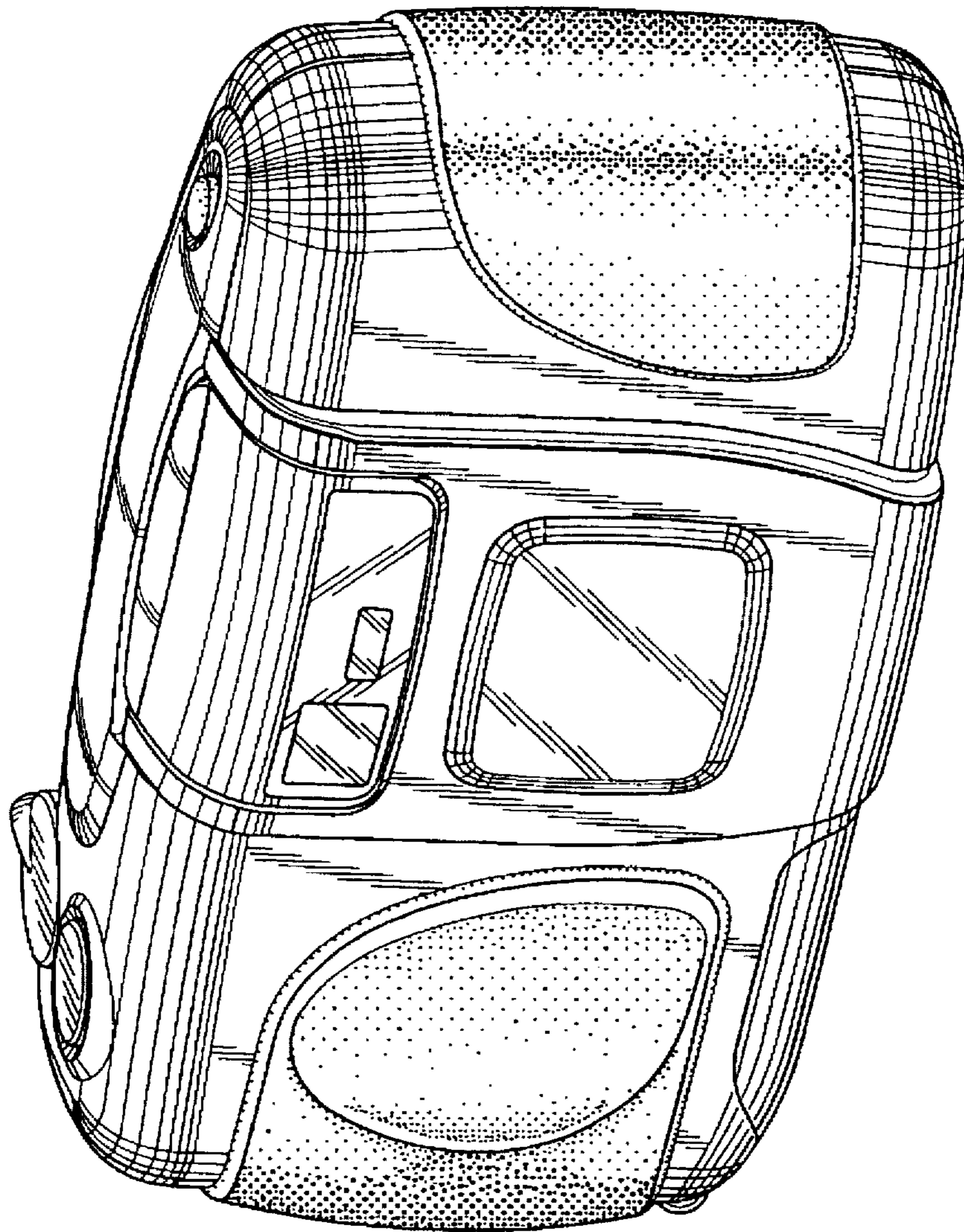


FIG. 1



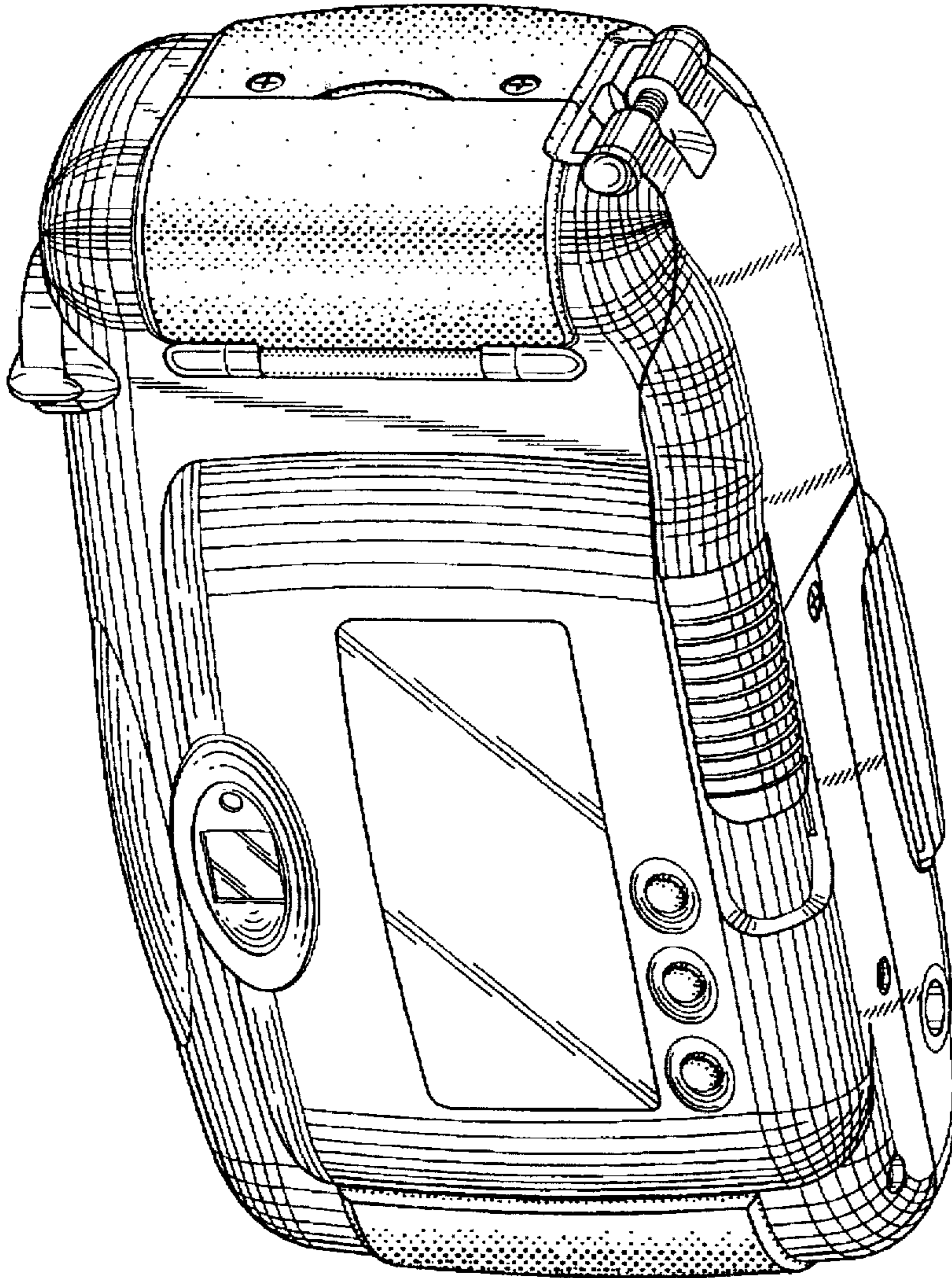


FIG. 2

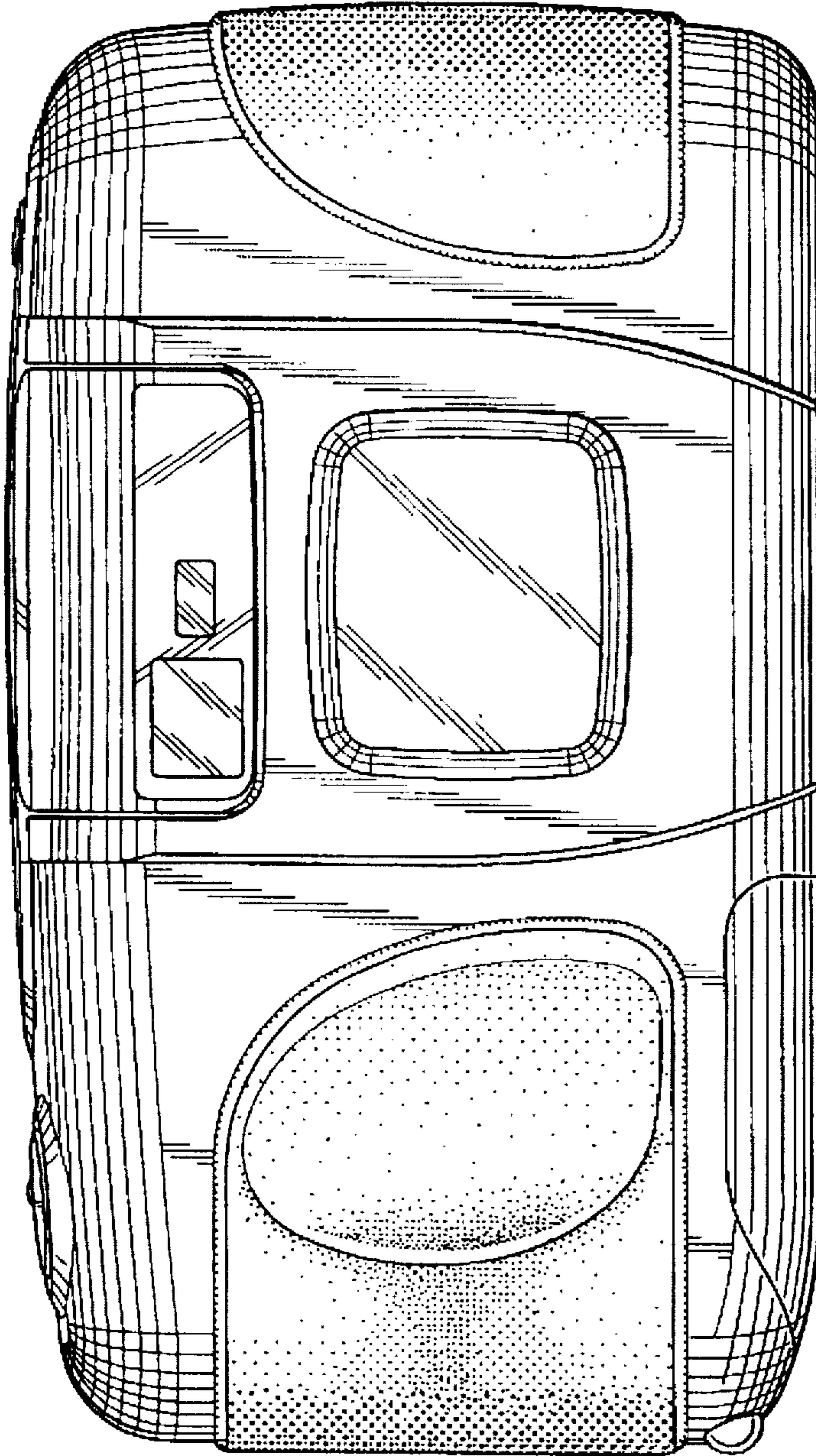


FIG. 3

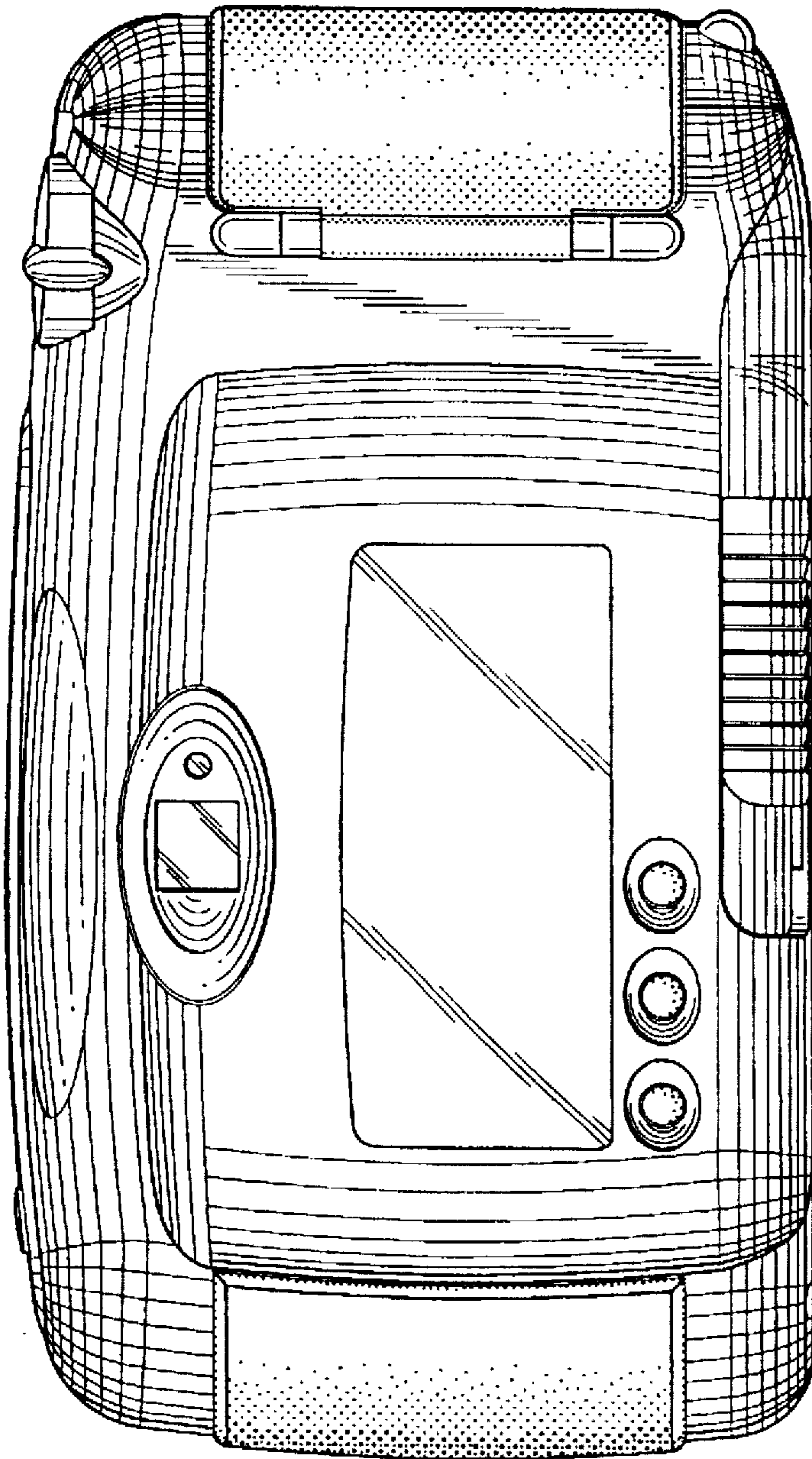


FIG. 4



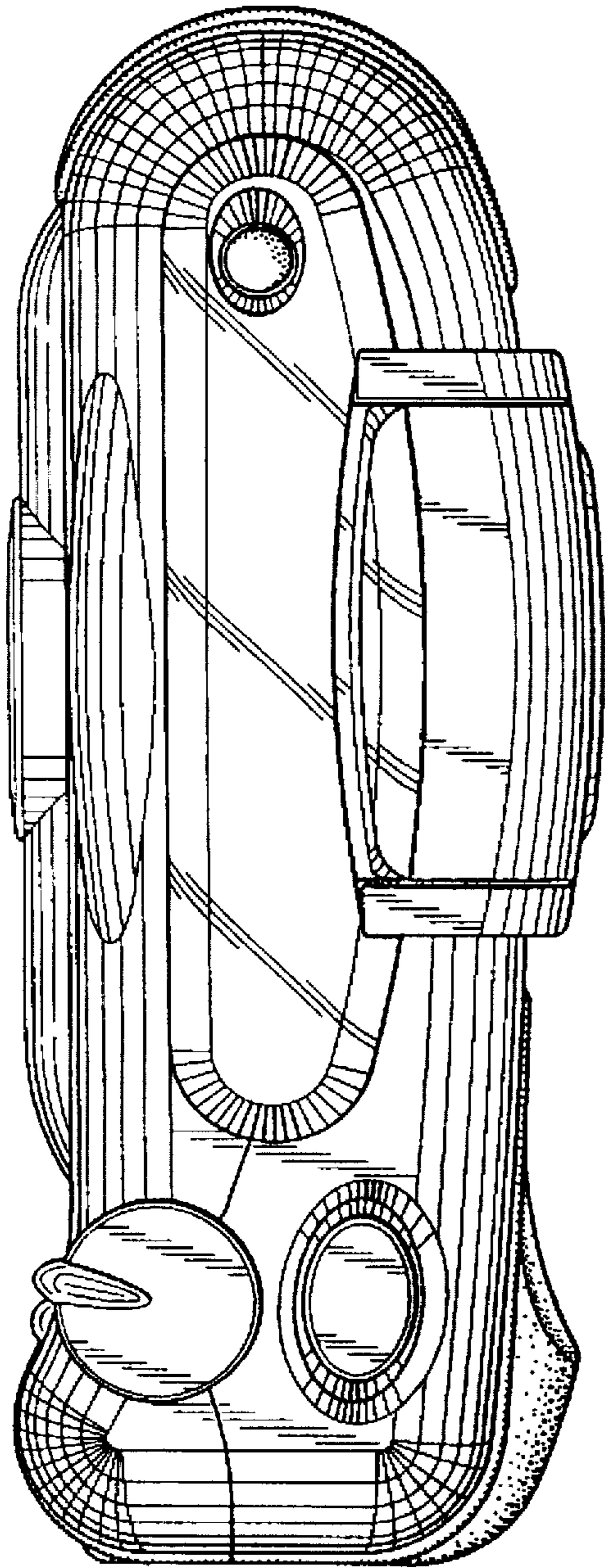


FIG. 5

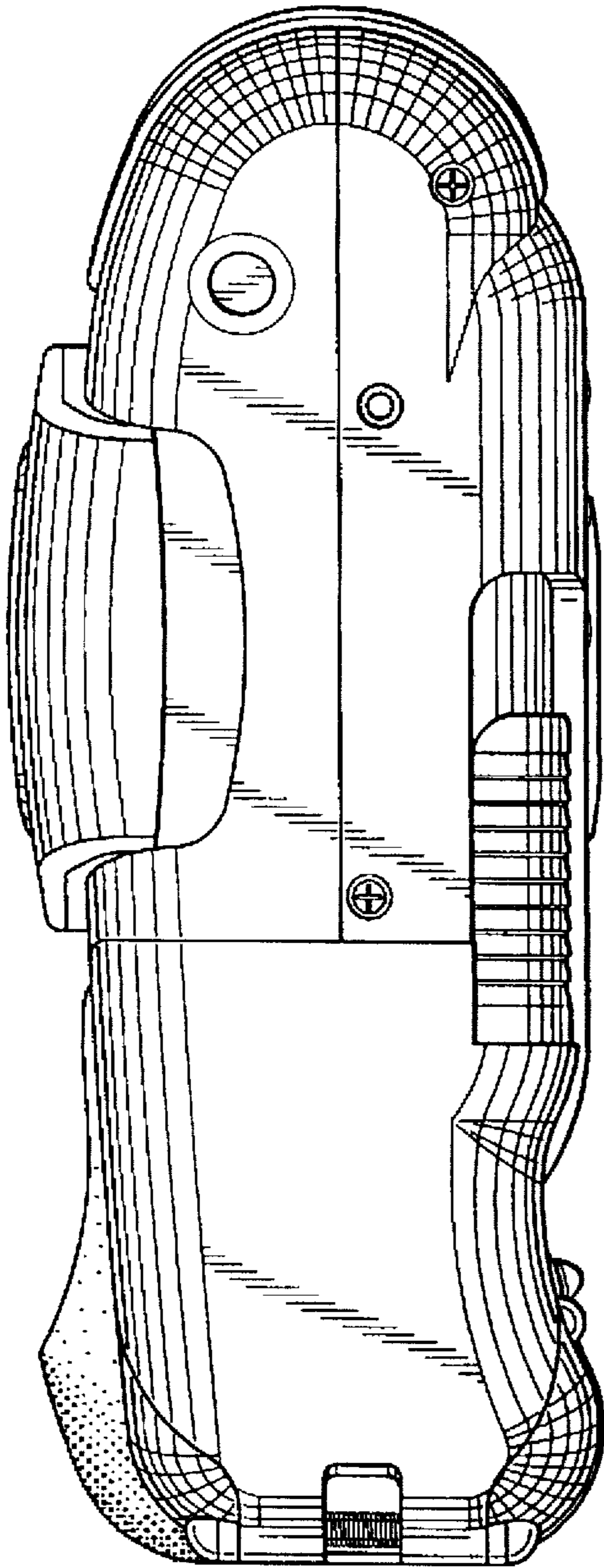


FIG. 6

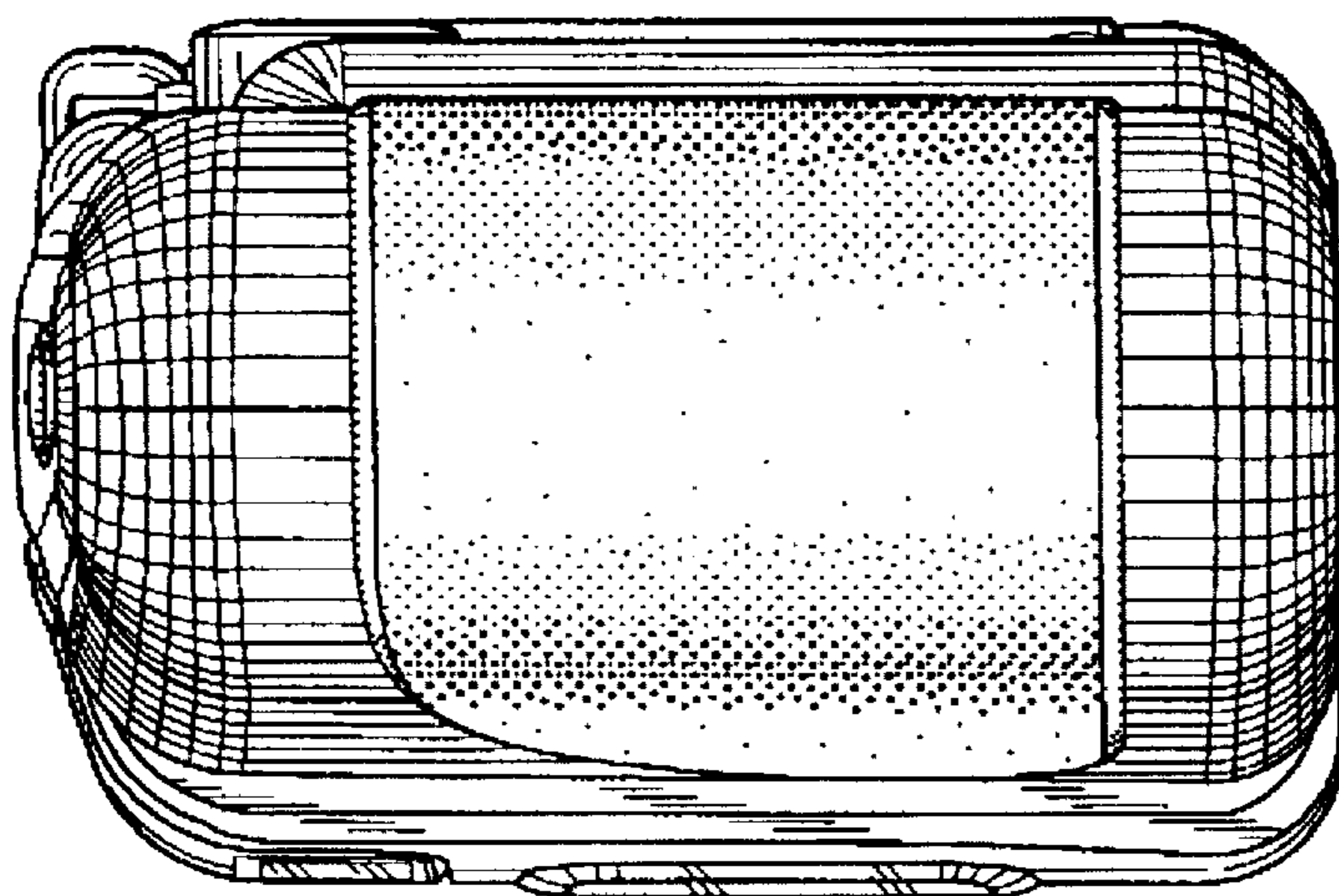


FIG. 7



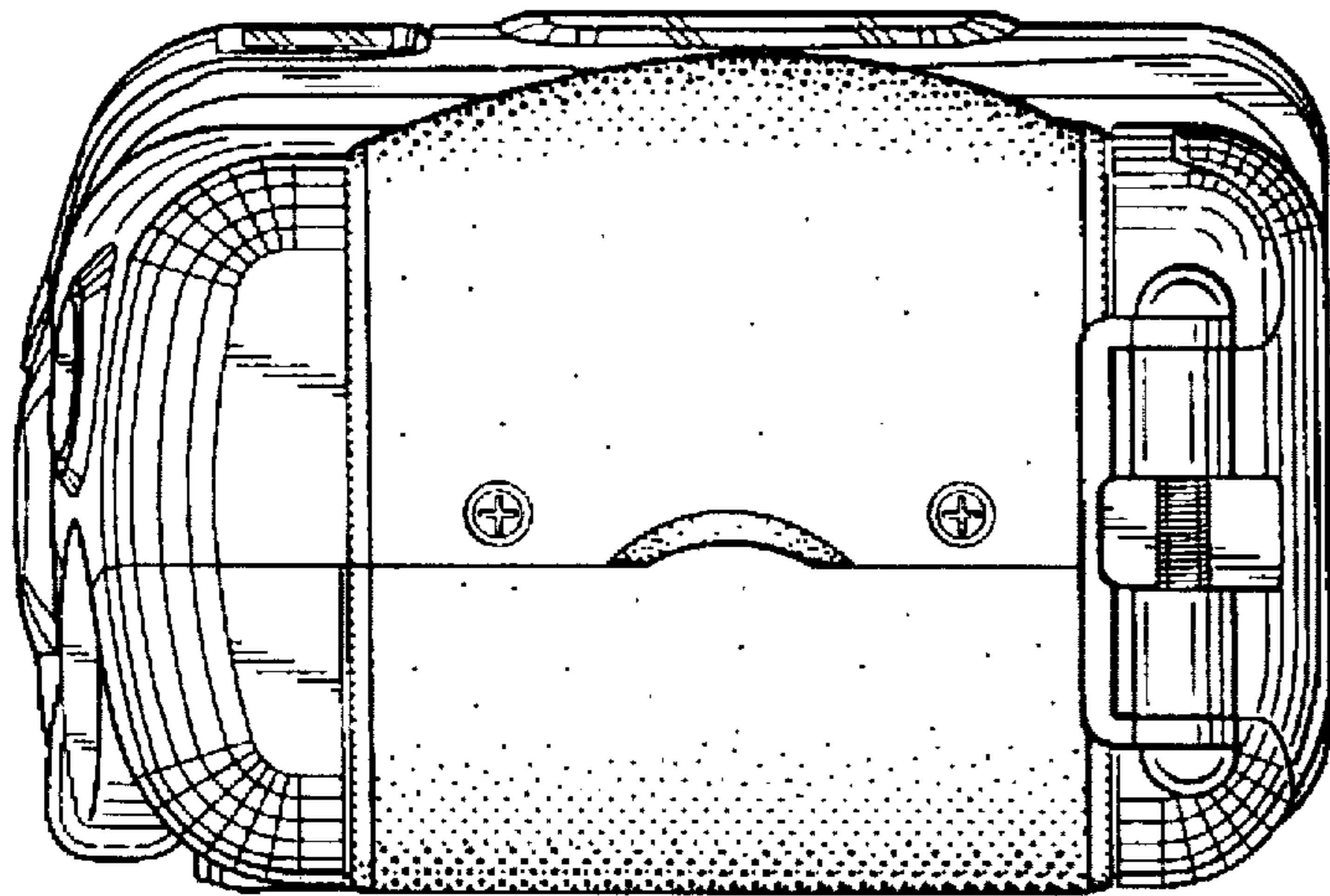


FIG. 8

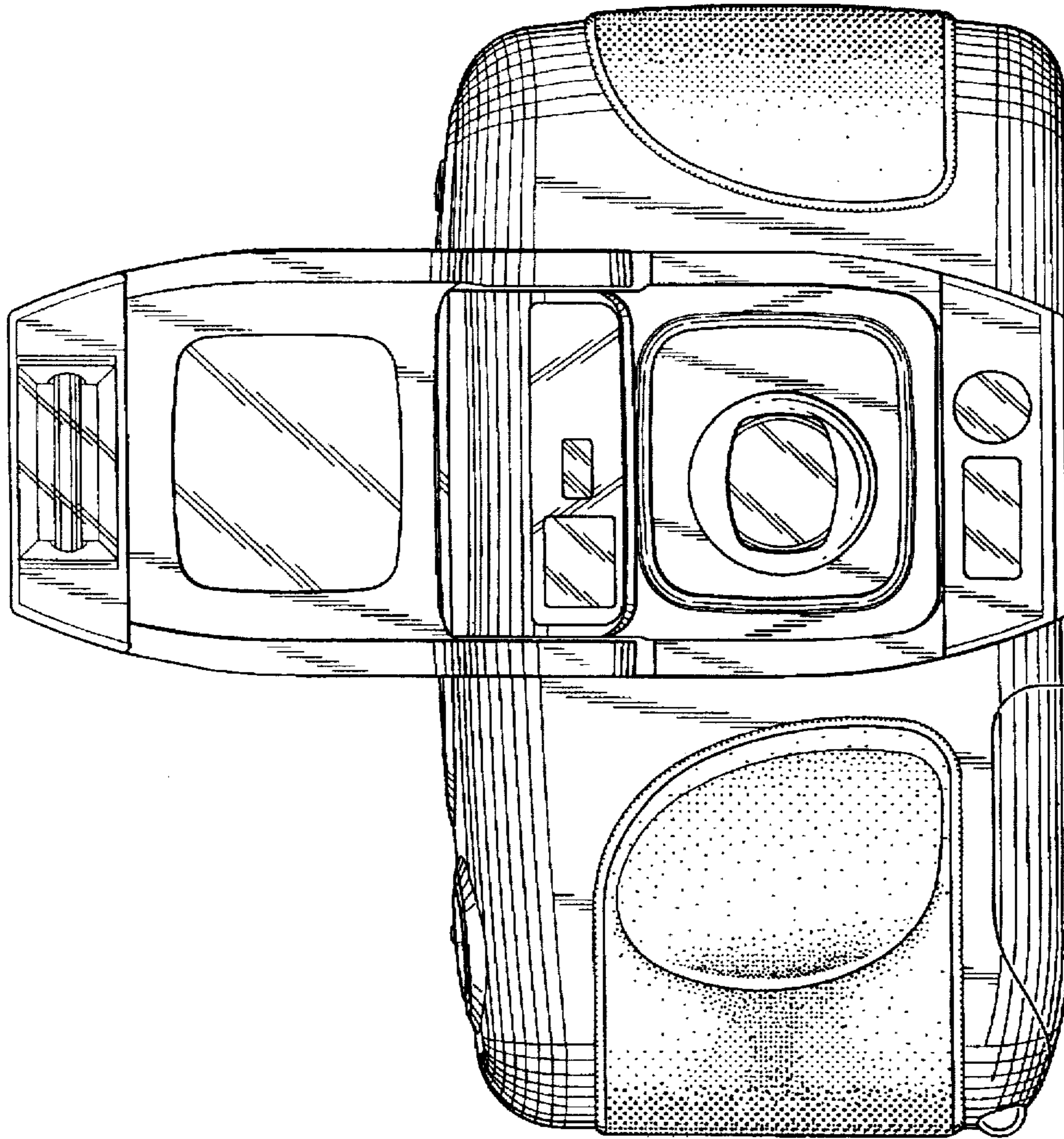


FIG. 9

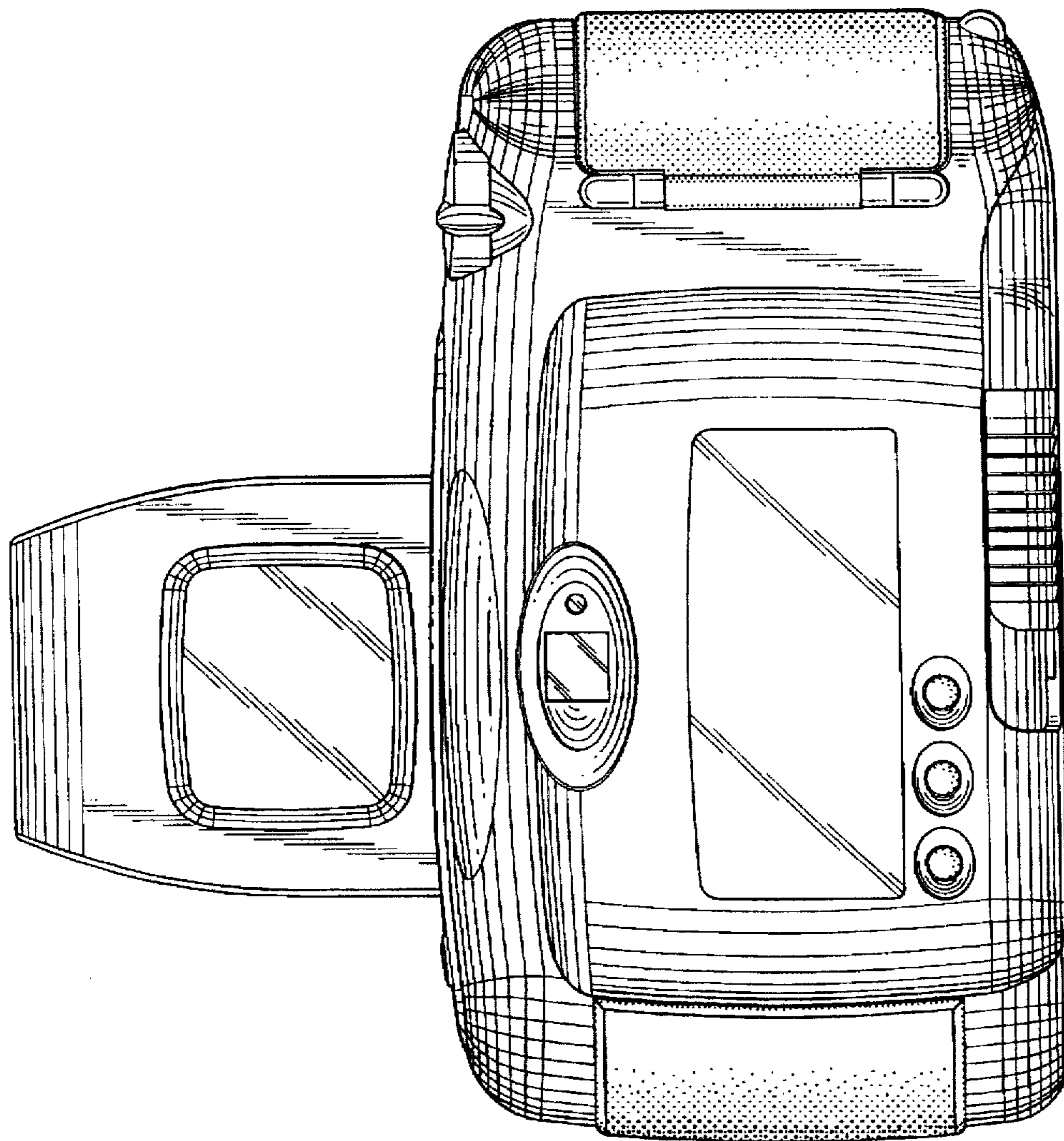


FIG. 10



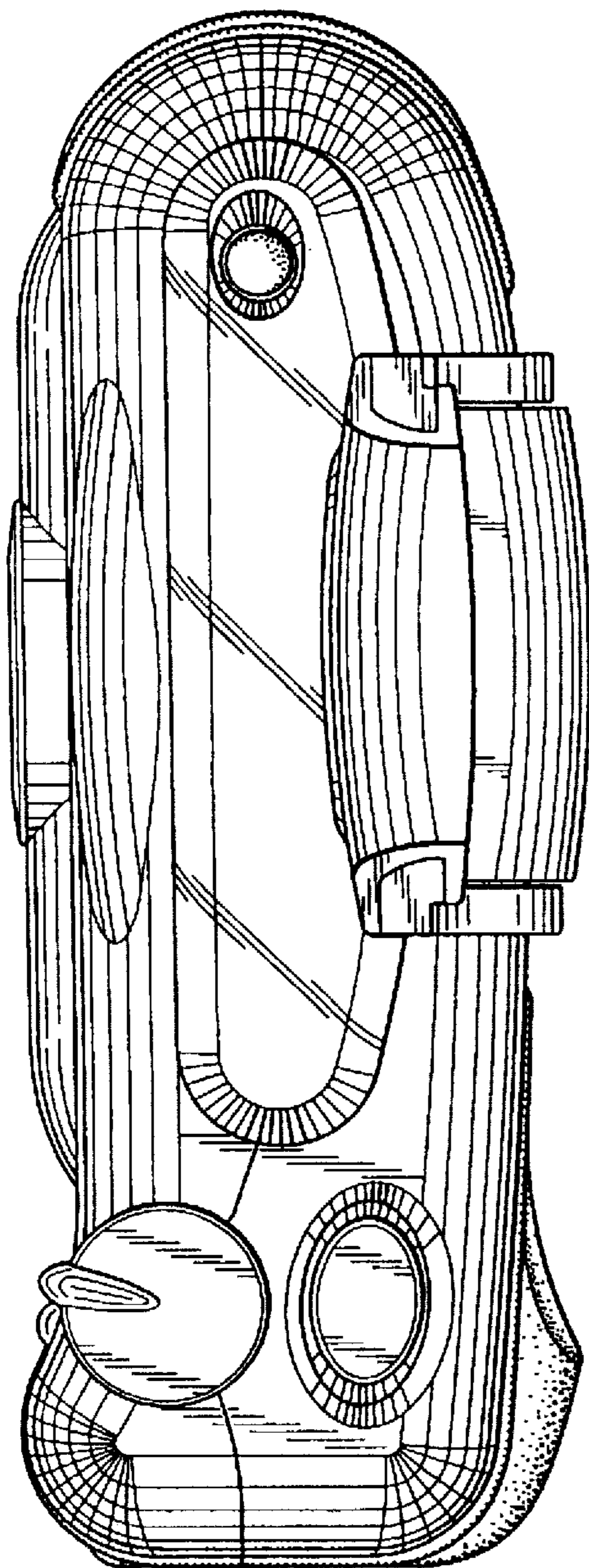


FIG. 11

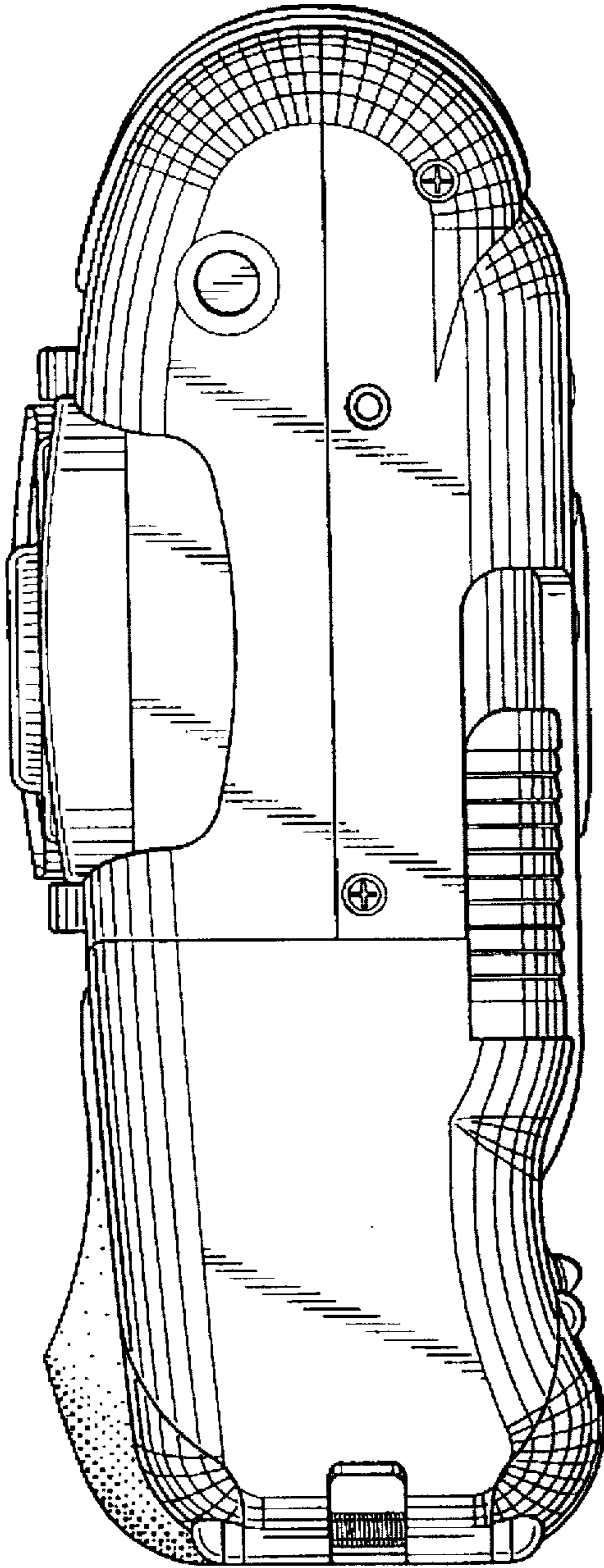


FIG. 12

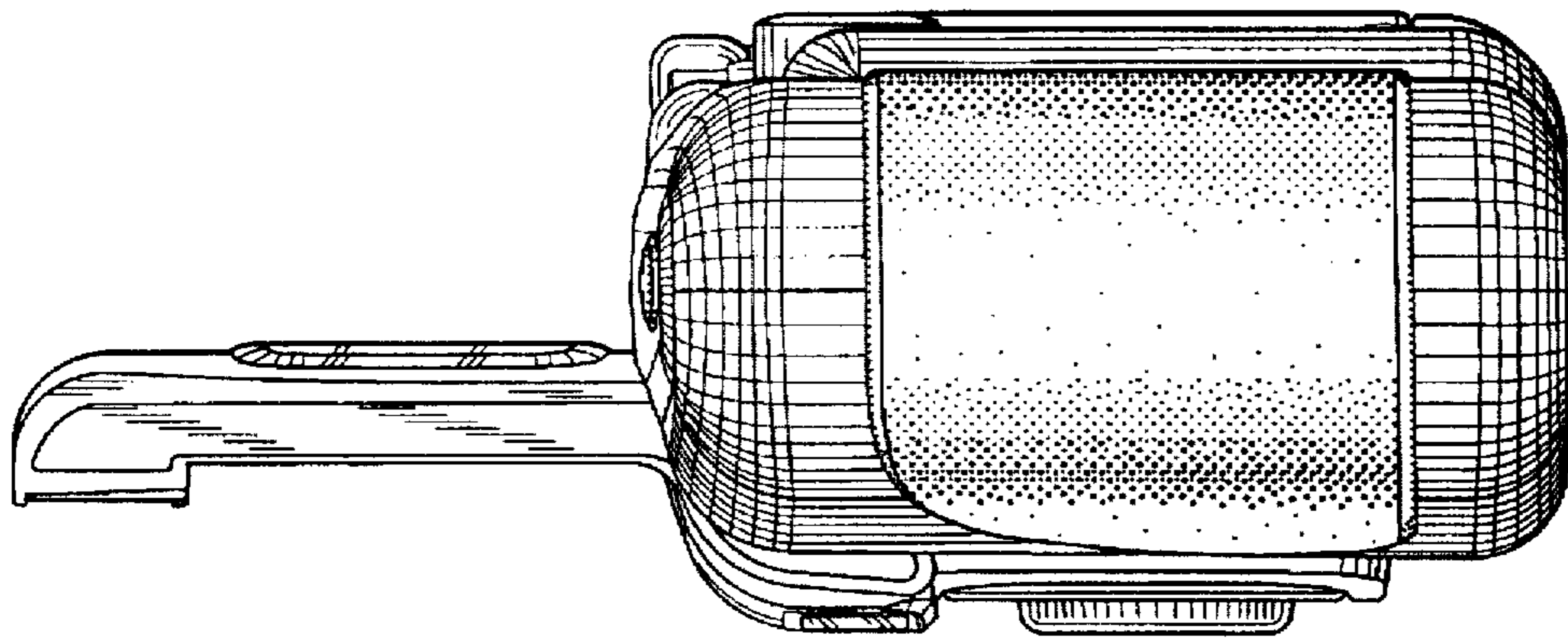


FIG. 13



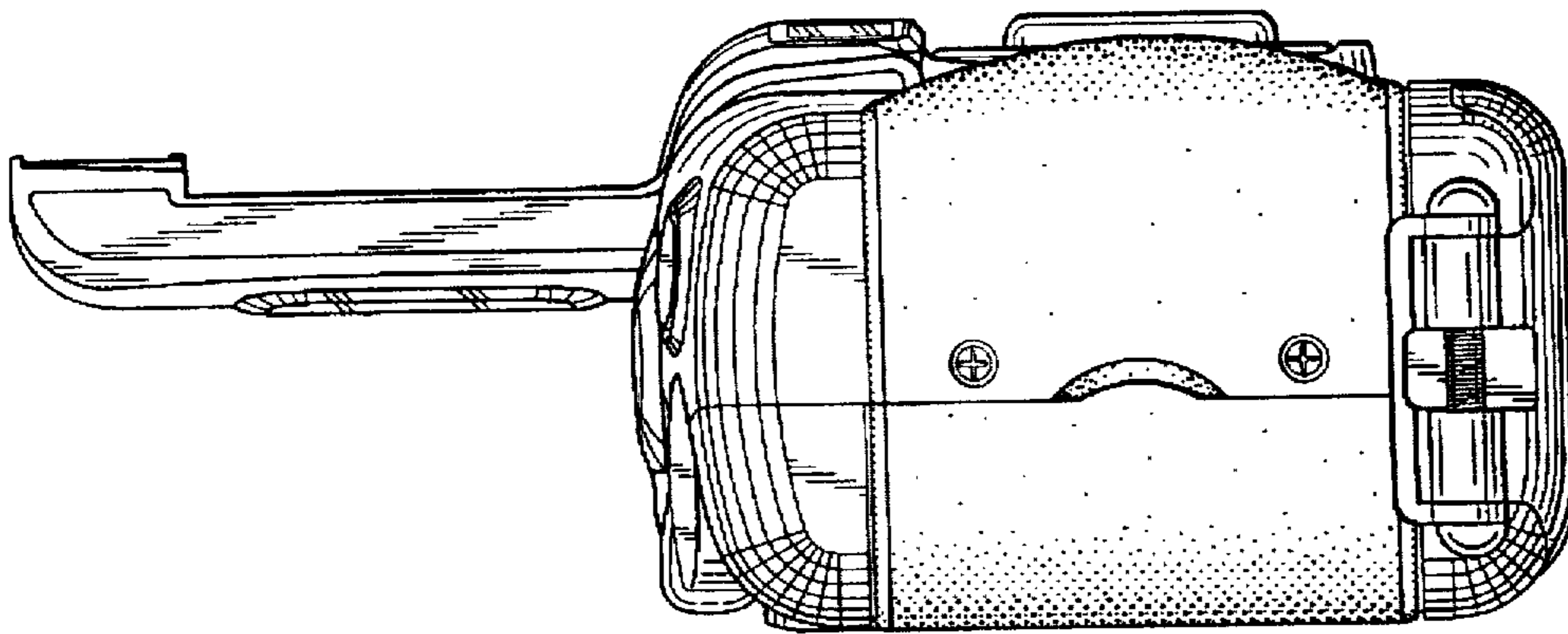
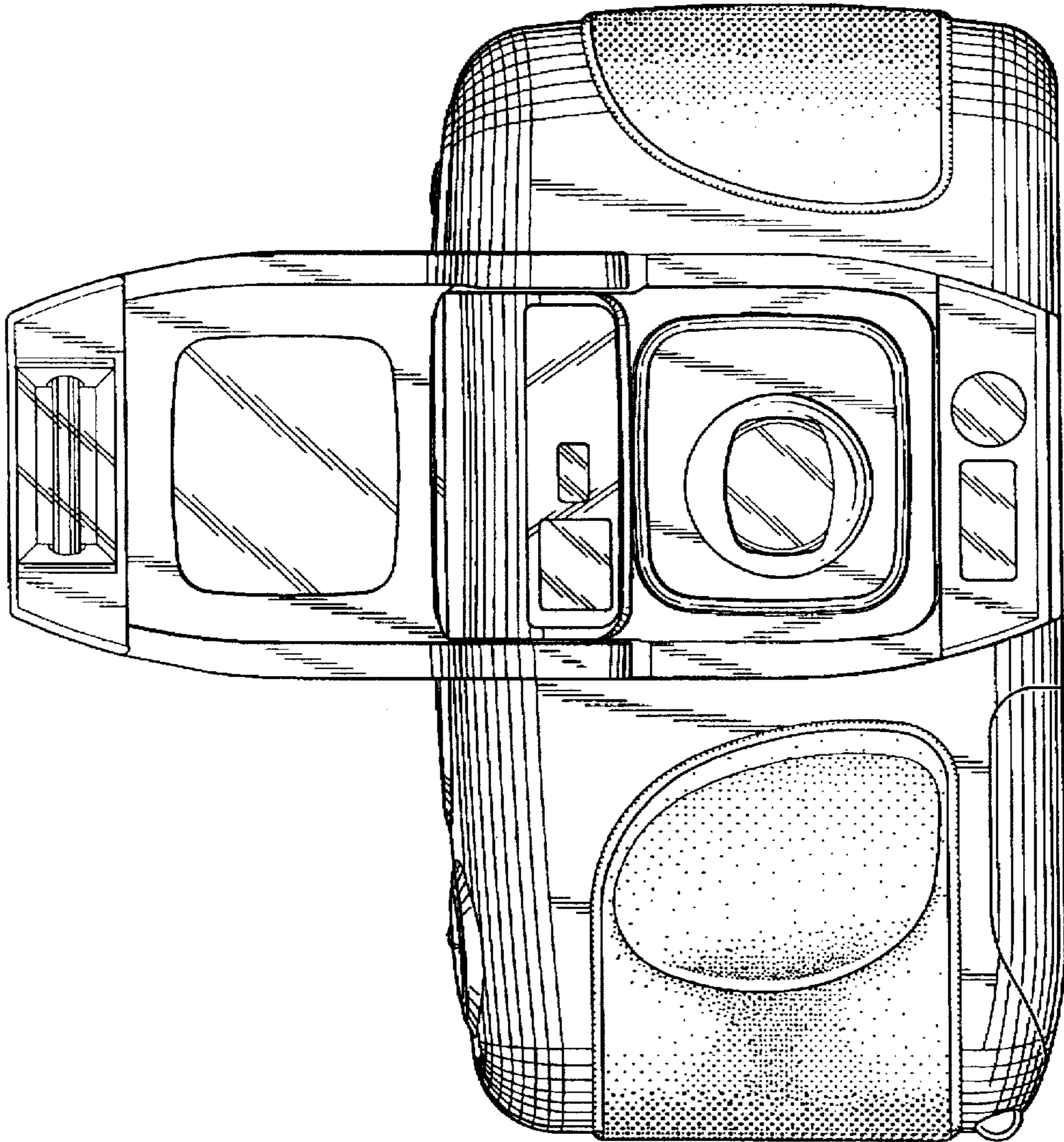


FIG. 14



*FIG. 15*

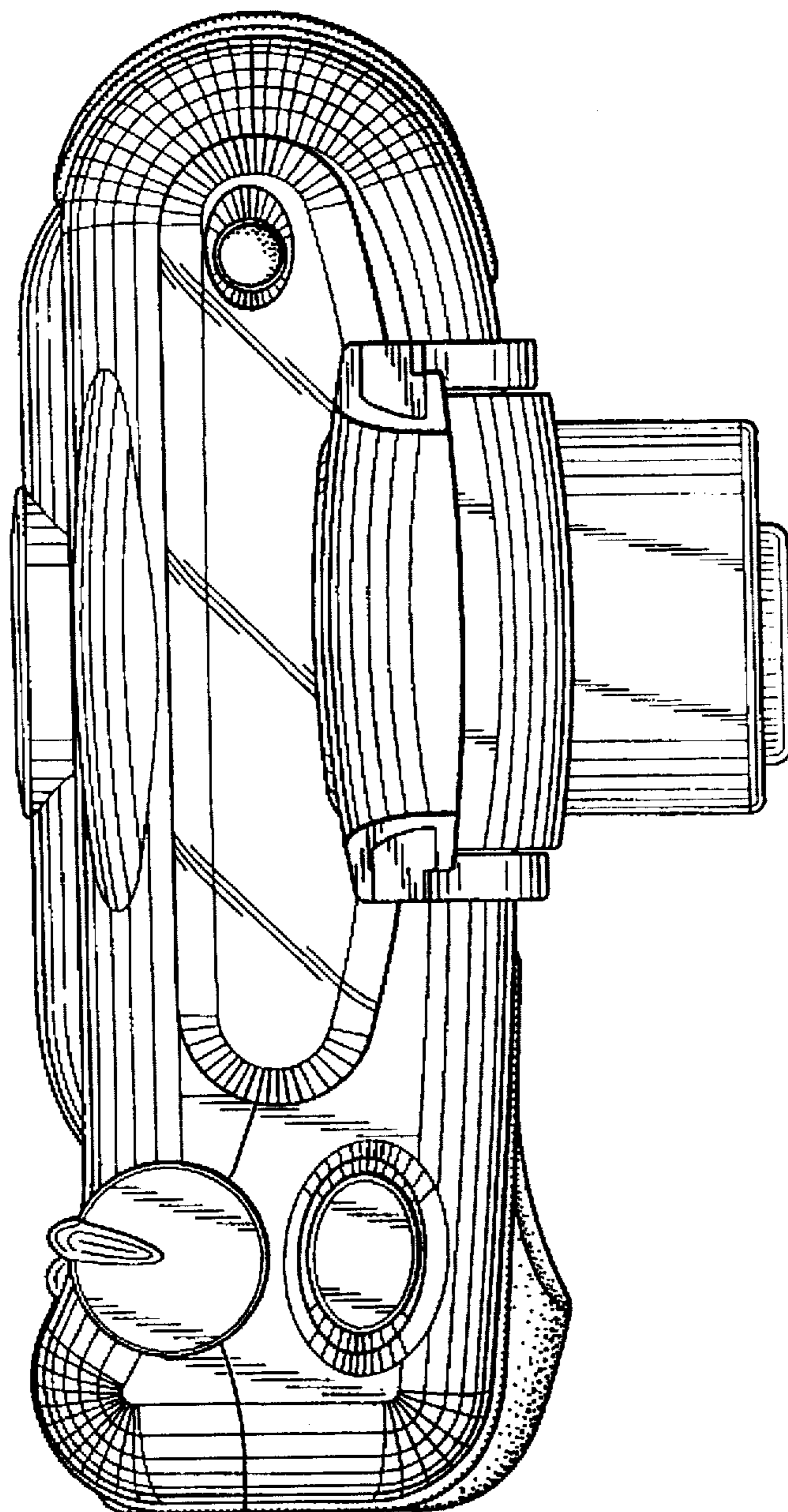


FIG. 16



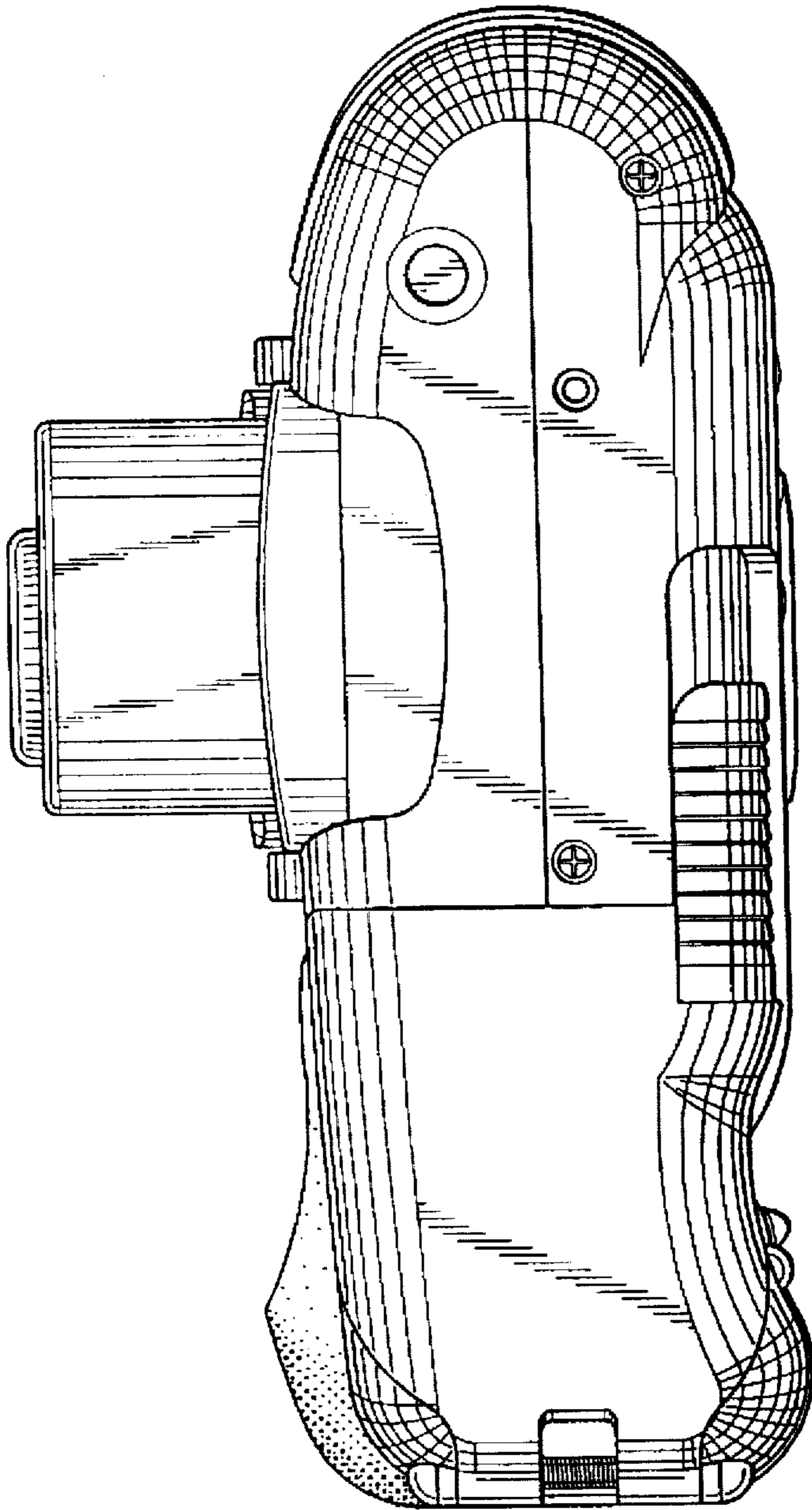


FIG. 17

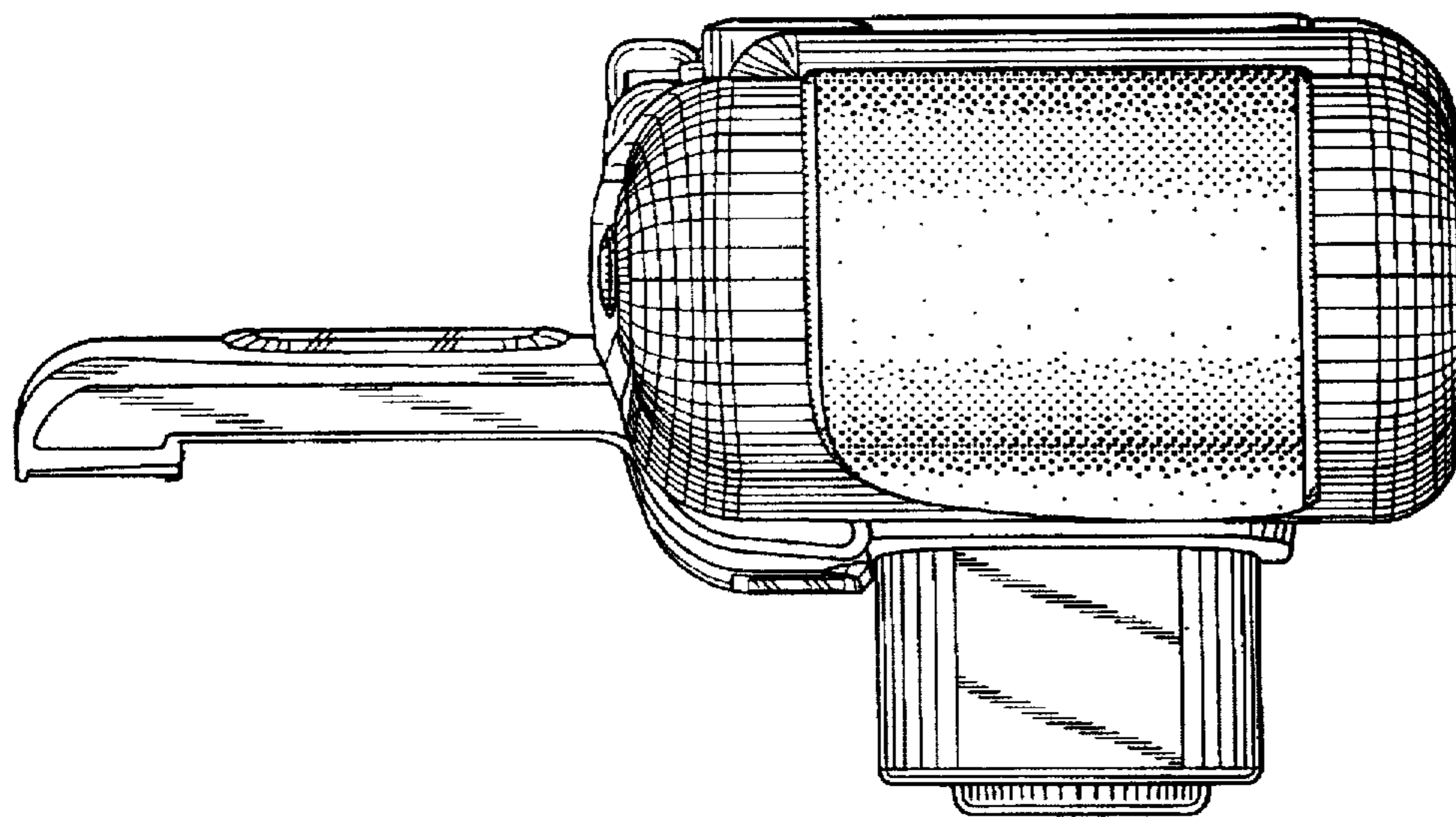


FIG. 18

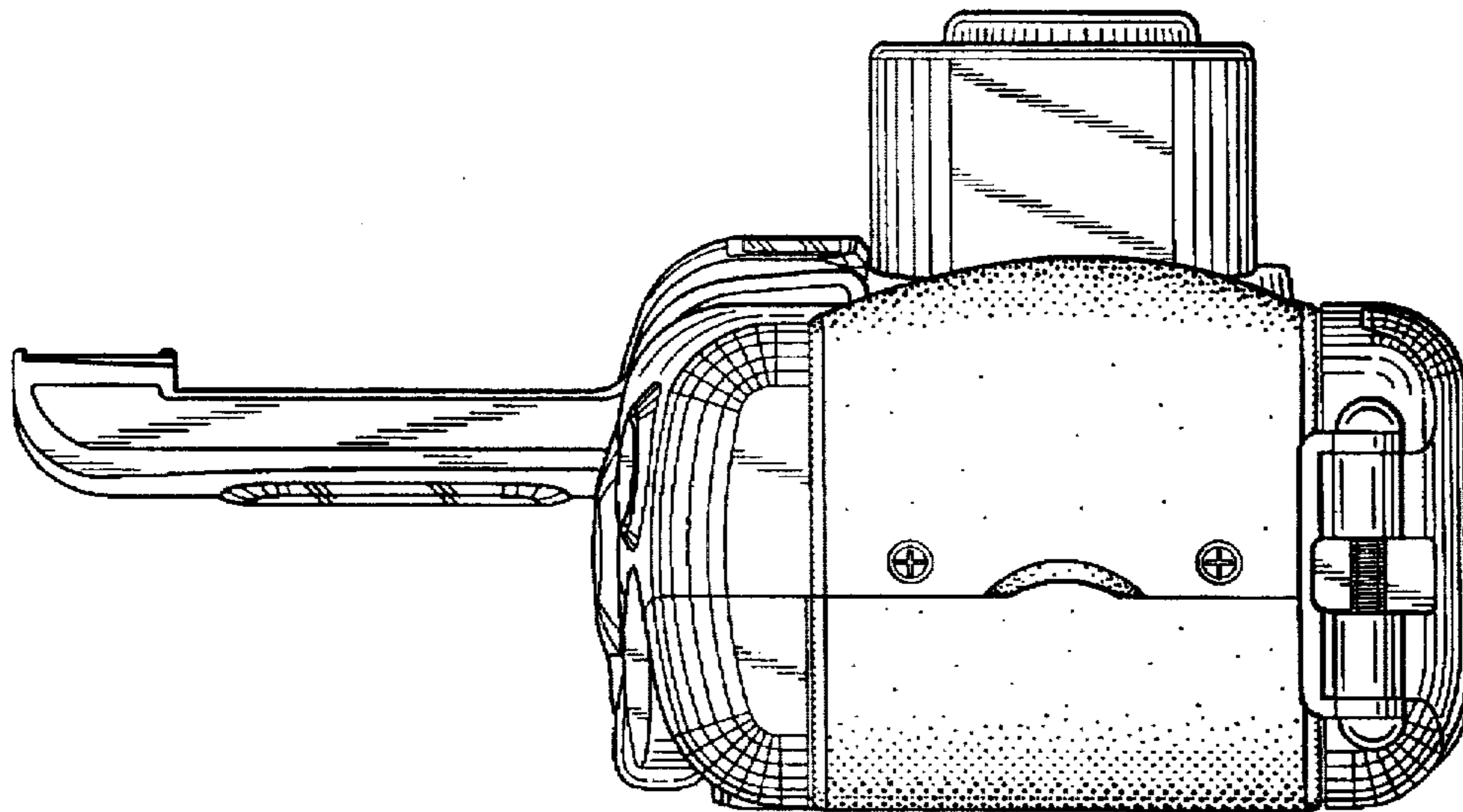


FIG. 19