



US00D390585S

United States Patent [19]

[11] Patent Number: **Des. 390,585**

Sakata et al.

[45] Date of Patent: ****Feb. 10, 1998**

[54] **IMAGE INPUTTING DEVICE**

[75] Inventors: **Osamu Sakata**, Tokyo; **Masaharu Eguchi**, Yokohama, both of Japan

[73] Assignee: **Canon Kabushiki Kaisha**, Tokyo, Japan

[*] Notice: The portion of the term of this patent subsequent to Oct. 21, 2011, has been disclaimed.

[**] Term: **14 Years**

[21] Appl. No.: **48,819**

[22] Filed: **Jan. 2, 1996**

[30] **Foreign Application Priority Data**

Jul. 7, 1995 [JP] Japan 7-19836

[51] LOC (6) Cl. **16-01**

[52] U.S. Cl. **D16/202; D14/107**

[58] Field of Search D14/107, 114, D14/130, 105, 100; D16/200-205, 208; 348/14, 15-20, 373-376; 379/53; 396/29, 535, 544, 419, 427; H04N 5/225, 5/232

[56] **References Cited**

PUBLICATIONS

Flex Cam "Odyssey" brochure.

Primary Examiner—Philip S. Hyder

Assistant Examiner—Adir Aronovich

Attorney, Agent, or Firm—Fitzpatrick, Cella, Harper & Scinto

[57] **CLAIM**

The ornamental design for an image inputting device, as shown and described.

DESCRIPTION

FIG. 1 is a front view of an image inputting device showing our new design;

FIG. 2 is a rear view thereof;

FIG. 3 is a top plan view thereof;

FIG. 4 is a bottom plan view thereof;

FIG. 5 is a left side view thereof;

FIG. 6 is a right side view thereof; and,

FIG. 7 is a perspective view thereof.

The cable shown in FIGS. 1, 2, 5, 6 and 7 is broken away to indicate the indeterminate length.

1 Claim, 3 Drawing Sheets

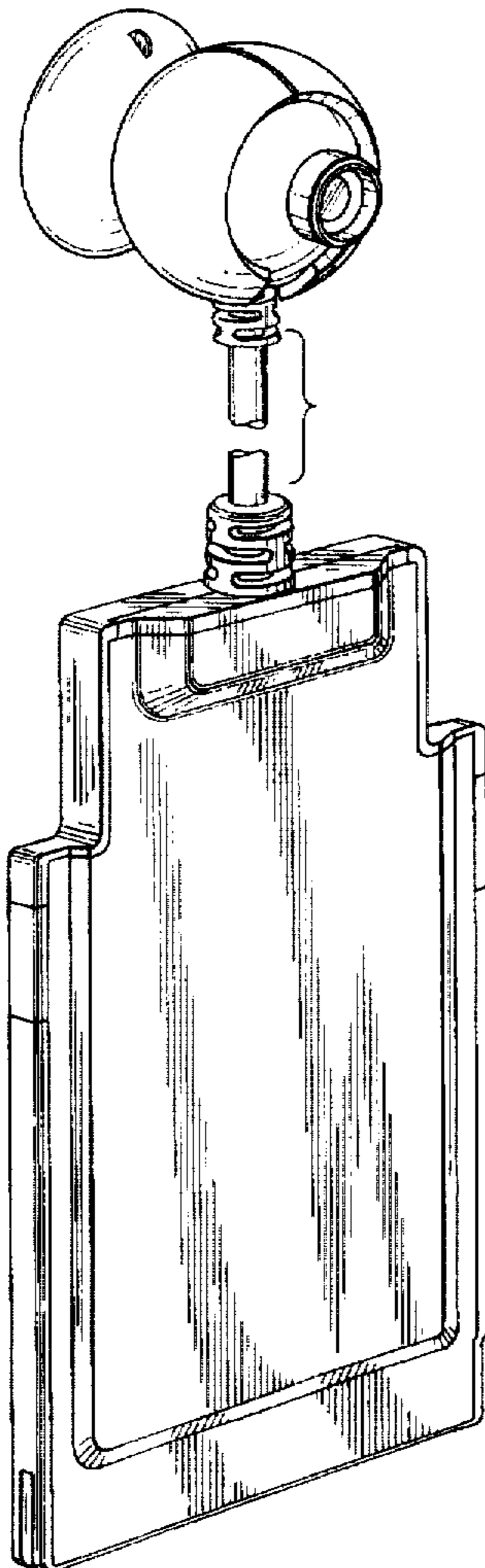


FIG. 1

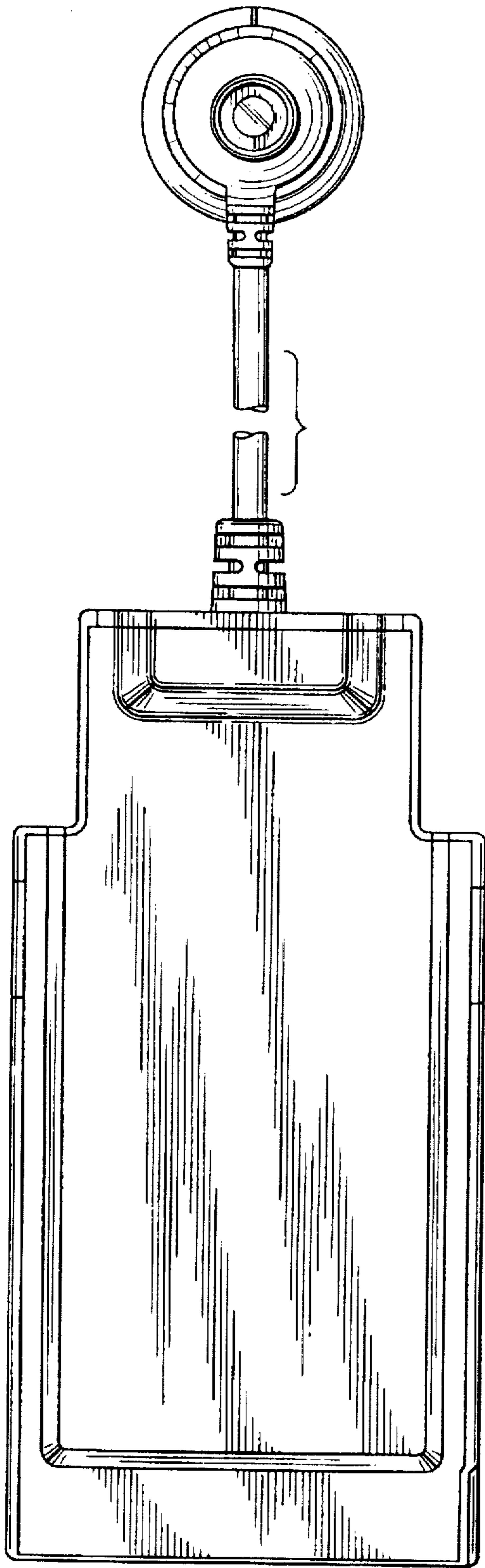


FIG. 2

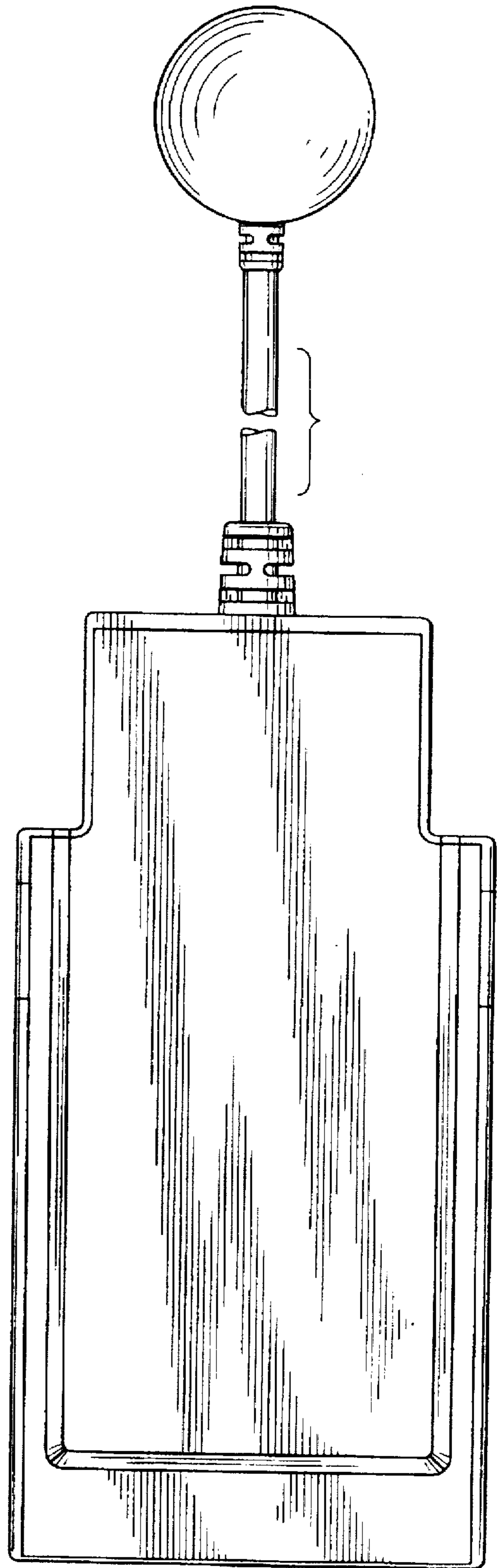


FIG. 3

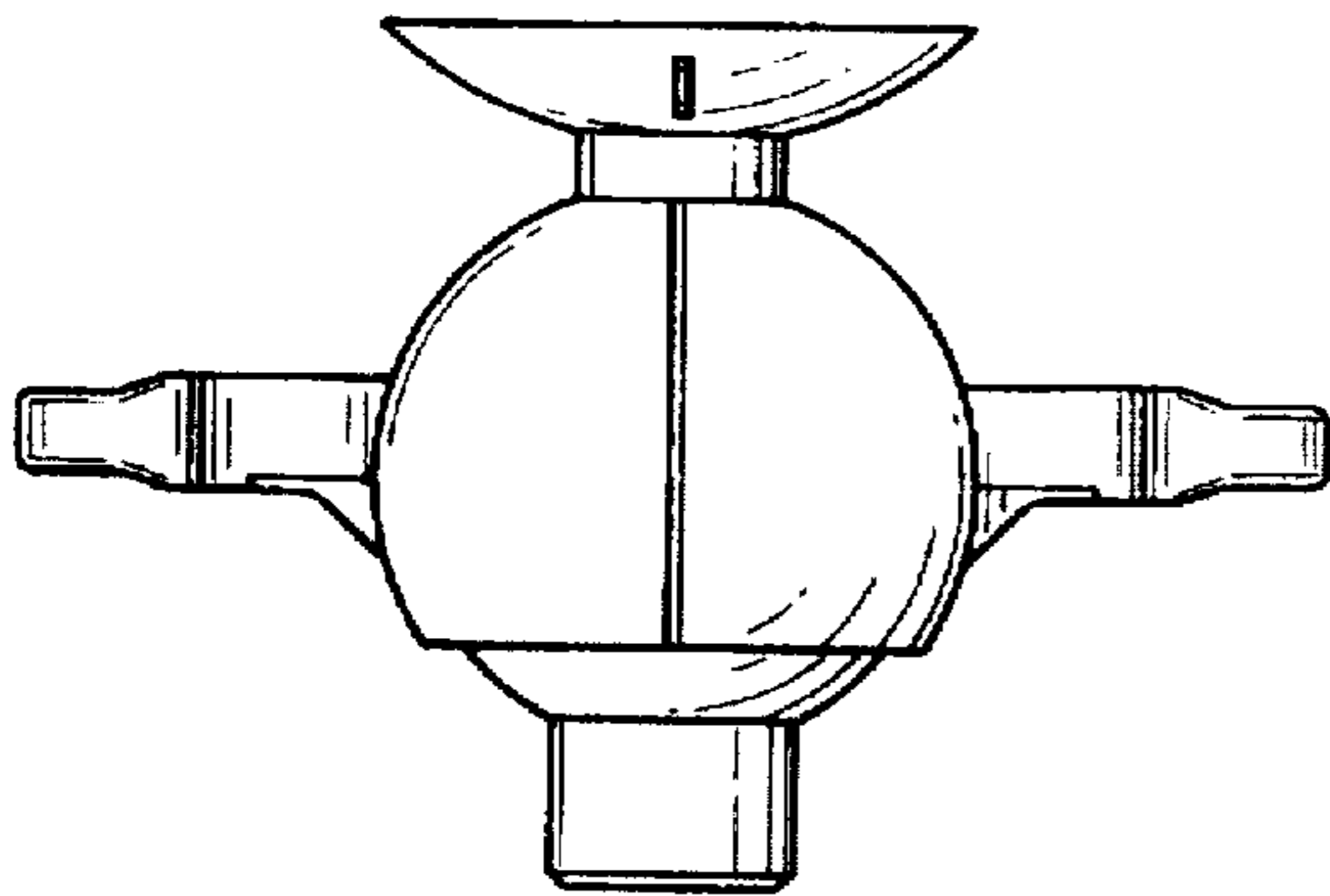


FIG. 5

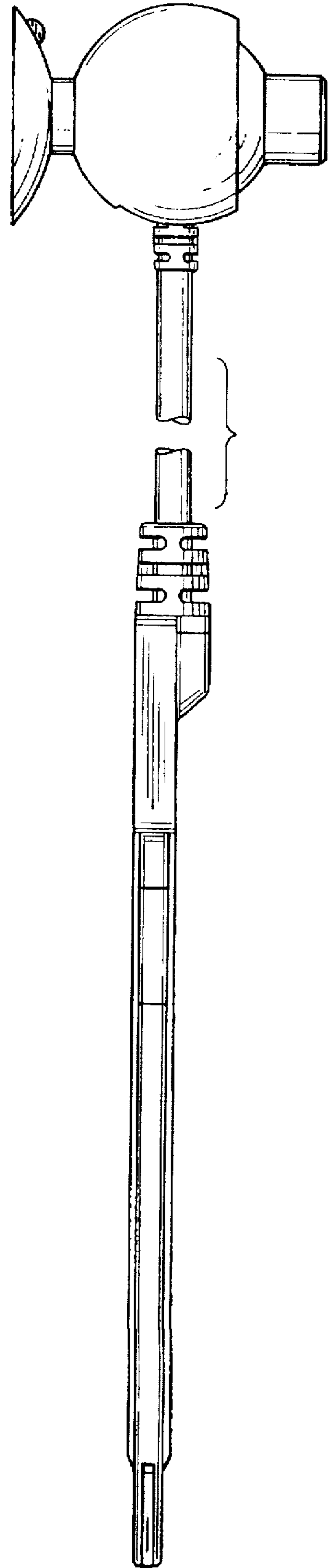


FIG. 4

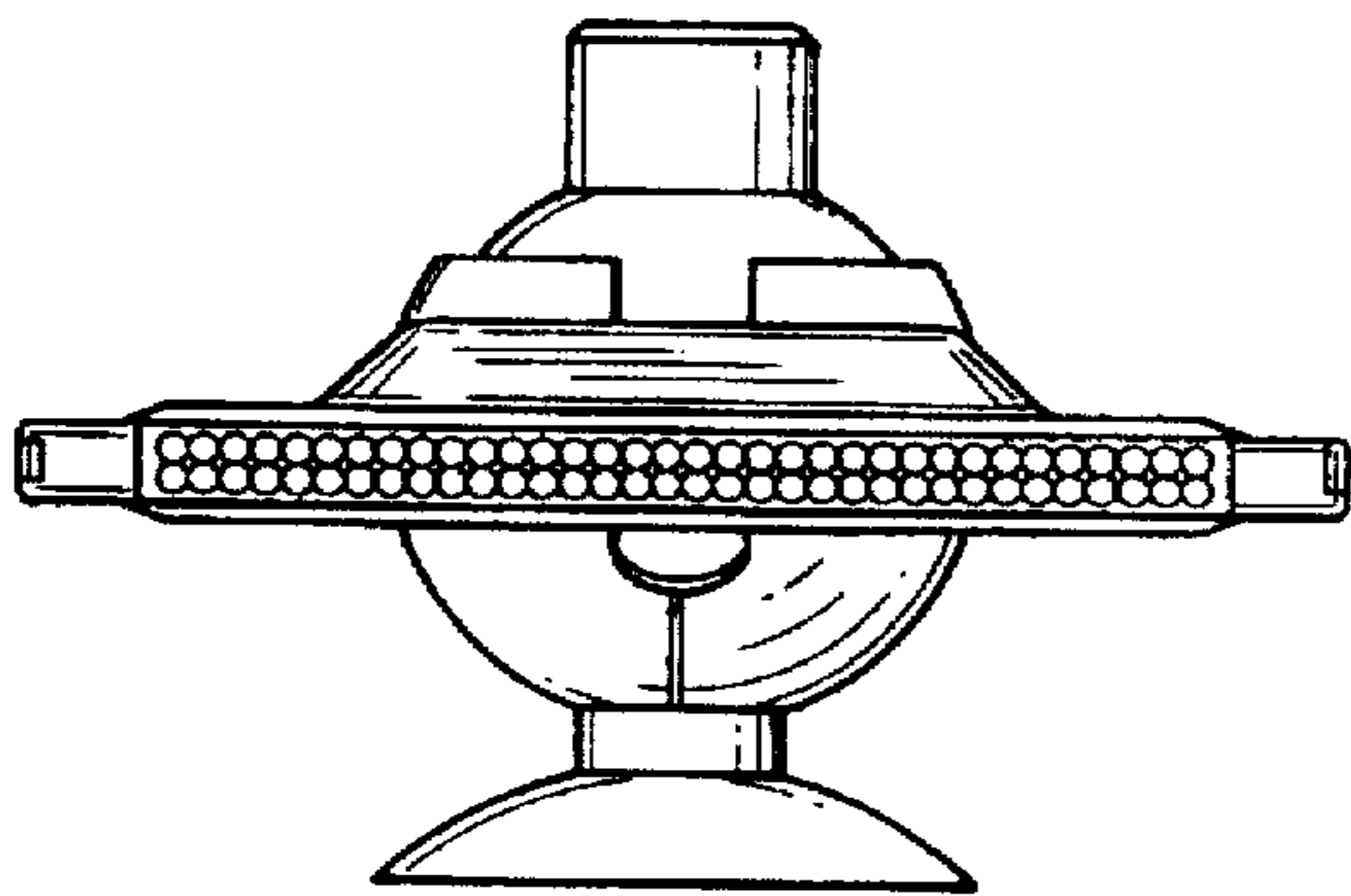


FIG. 6

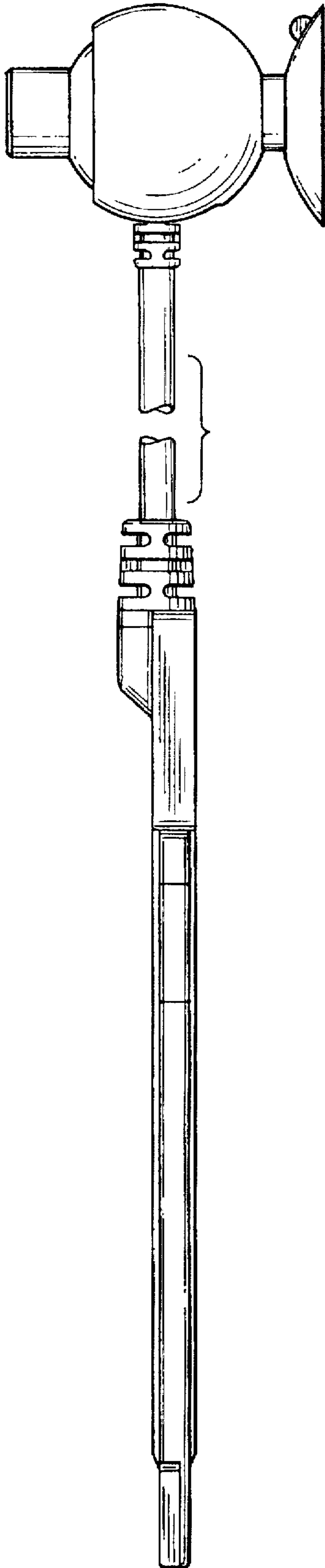


FIG. 7

