

US00D390584S

United States Patent [19]
Layton

[11] **Patent Number: Des. 390,584**
[45] **Date of Patent: **Feb. 10, 1998**

- [54] **NOVELTY INTERIOR SECURITY PEEPHOLE COVER**
- [76] **Inventor: Adam S. Layton, 18573 Gant Way, Lake Elsinore, Calif. 92530**
- [**] **Term: 14 Years**
- [21] **Appl. No.: 69,709**
- [22] **Filed: Apr. 4, 1997**
- [51] **LOC (6) Cl. 16-06**
- [52] **U.S. Cl. D16/134; D16/130**
- [58] **Field of Search D16/130, 134, D16/135, 136; D21/128, 136, 137; D2/871, 869; 359/399, 504, 894, 744, 629, 356, 362**

D. 368,354	4/1996	Edwards, Jr.	D2/871
D. 372,571	8/1996	Venditto, Jr.	D2/869
4,269,474	5/1981	Kamimura	D16/134 X
4,348,083	9/1982	Kamimura	D16/134 X
4,726,670	2/1988	Sherrard	D16/134 X

Primary Examiner—Paula A. Mortimer

[57] **CLAIM**

The ornamental design for a novelty interior security peephole cover, as shown and described.

DESCRIPTION

FIG. 1 is a front elevational view of the novelty interior security peephole cover showing my new design;
 FIG. 2 is a rear elevational view thereof;
 FIG. 3 is a right side view thereof;
 FIG. 4 is a left side view thereof;
 FIG. 5 is a top plan view thereof;
 FIG. 6 is a bottom plan view thereof; and,
 FIG. 7 is rear elevational view thereof in an alternate position with the peephole cover or wheel portion in the depressed position to expose the aperture in facing contact with the security peephole.

- [56] **References Cited**
- U.S. PATENT DOCUMENTS**
- D. 275,506 9/1984 Goldfarb et al. D21/137
- D. 307,153 4/1990 Martin D16/130
- D. 310,840 9/1990 Deginan D16/134
- D. 330,211 10/1992 Deginan D16/135 X
- D. 330,382 10/1992 Deginan D16/135 X

1 Claim, 3 Drawing Sheets

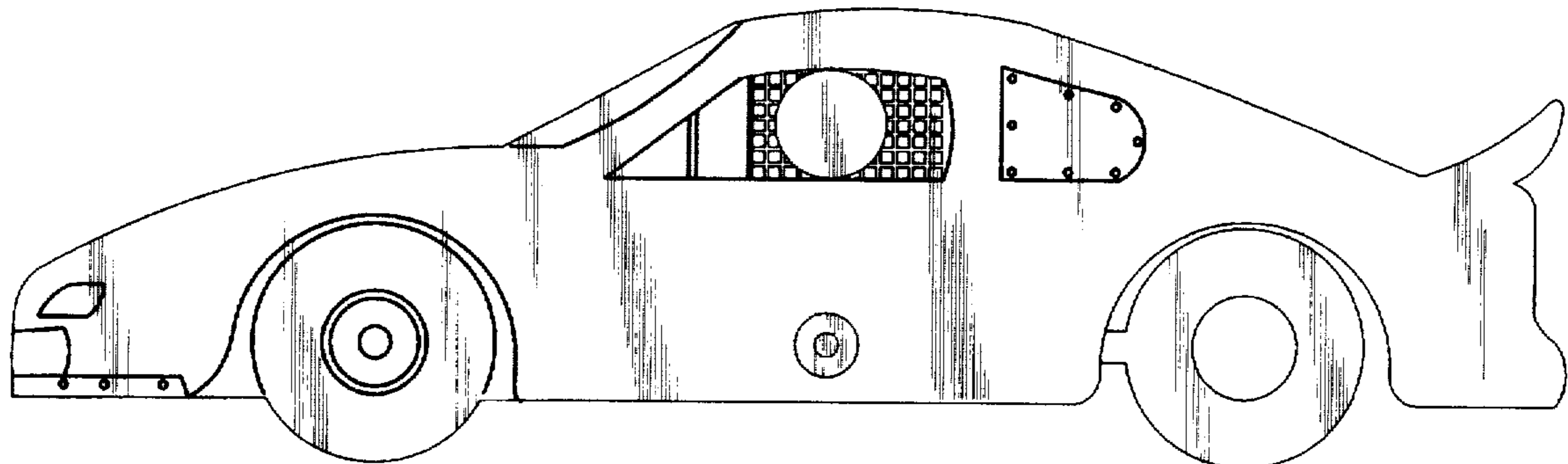


FIG. 1

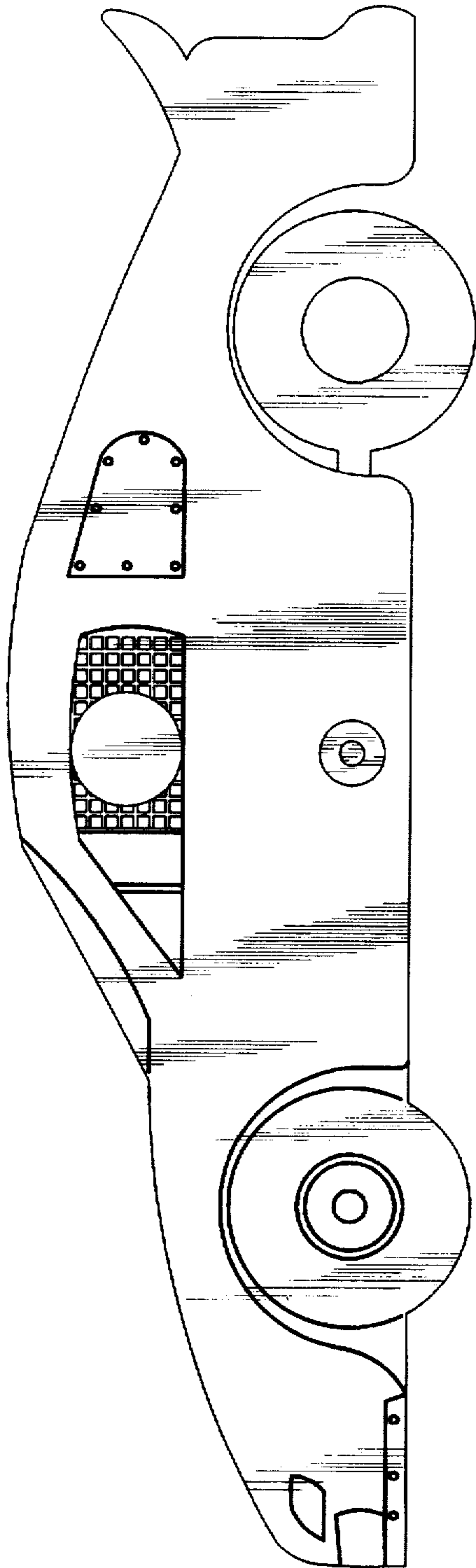


FIG. 2

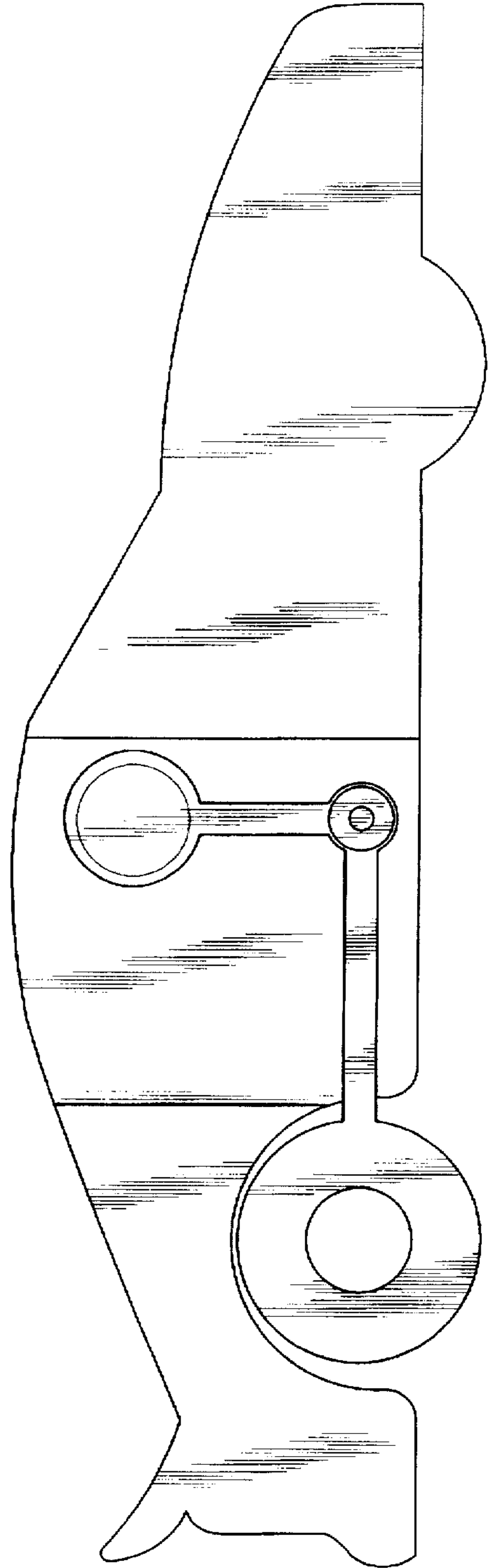


FIG. 3

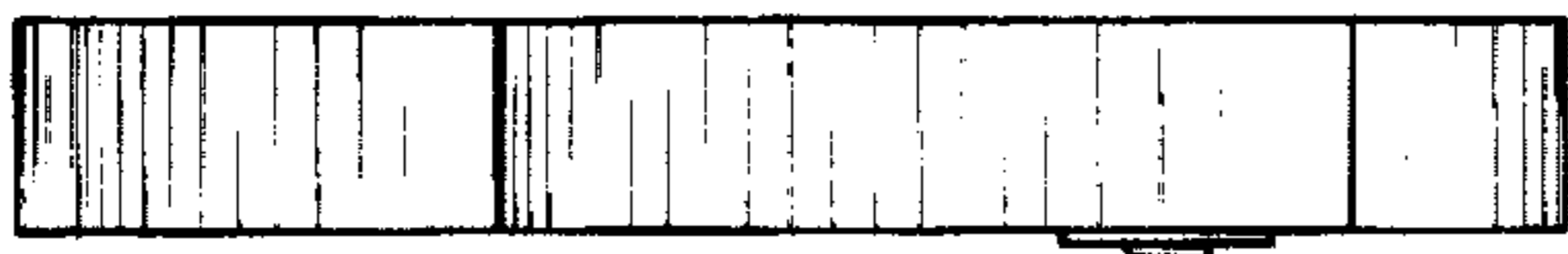


FIG. 4



FIG. 5

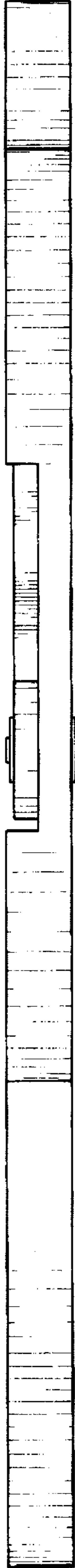


FIG. 6

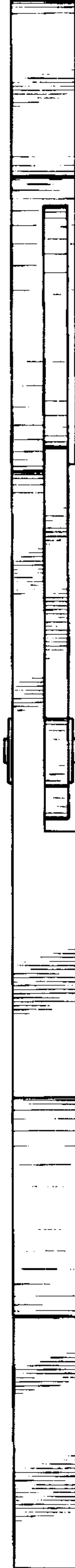


FIG. 7

