

US00D390583S

United States Patent [19]

Diebel et al.

[11] Patent Number: **Des. 390,583**

[45] Date of Patent: ****Feb. 10, 1998**

[54] SPOTTING SCOPE

[75] Inventors: **John C. Diebel; Jeffrey R. Buss**, both of Newport Beach; **Clair A. Samhammer**, Orange, all of Calif.

[73] Assignee: **Meade Instruments Corporation**, Irvine, Calif.

[**] Term: **14 Years**

[21] Appl. No.: **64,530**

[22] Filed: **Jan. 3, 1997**

[51] LOC (6) Cl. **16-06**

[52] U.S. Cl. **D16/132**

[58] Field of Search D16/130, 132; 359/419, 420, 424, 428, 429, 399; D22/104, 107, 108, 109; 33/245, 246

[56] **References Cited**

U.S. PATENT DOCUMENTS

- D. 272,296 3/1984 Tomatsuri et al. D16/132
- D. 285,698 9/1986 Ogasawara D16/132
- D. 285,802 9/1986 Ogasawara D16/132

- D. 288,210 2/1987 Mise D16/132
- D. 305,030 12/1989 Fukushima D16/132
- D. 305,031 12/1989 Fukushima D16/132
- D. 346,392 4/1994 Tomita D16/132
- D. 349,510 8/1994 Tomita D16/132
- D. 365,858 1/1996 Tomita D16/132 X
- D. 369,367 4/1996 Tomita D16/132
- 4,669,833 6/1987 Mise 359/420

Primary Examiner—Paula A. Mortimer
Attorney, Agent, or Firm—Christie, Parker & Hale, LLP

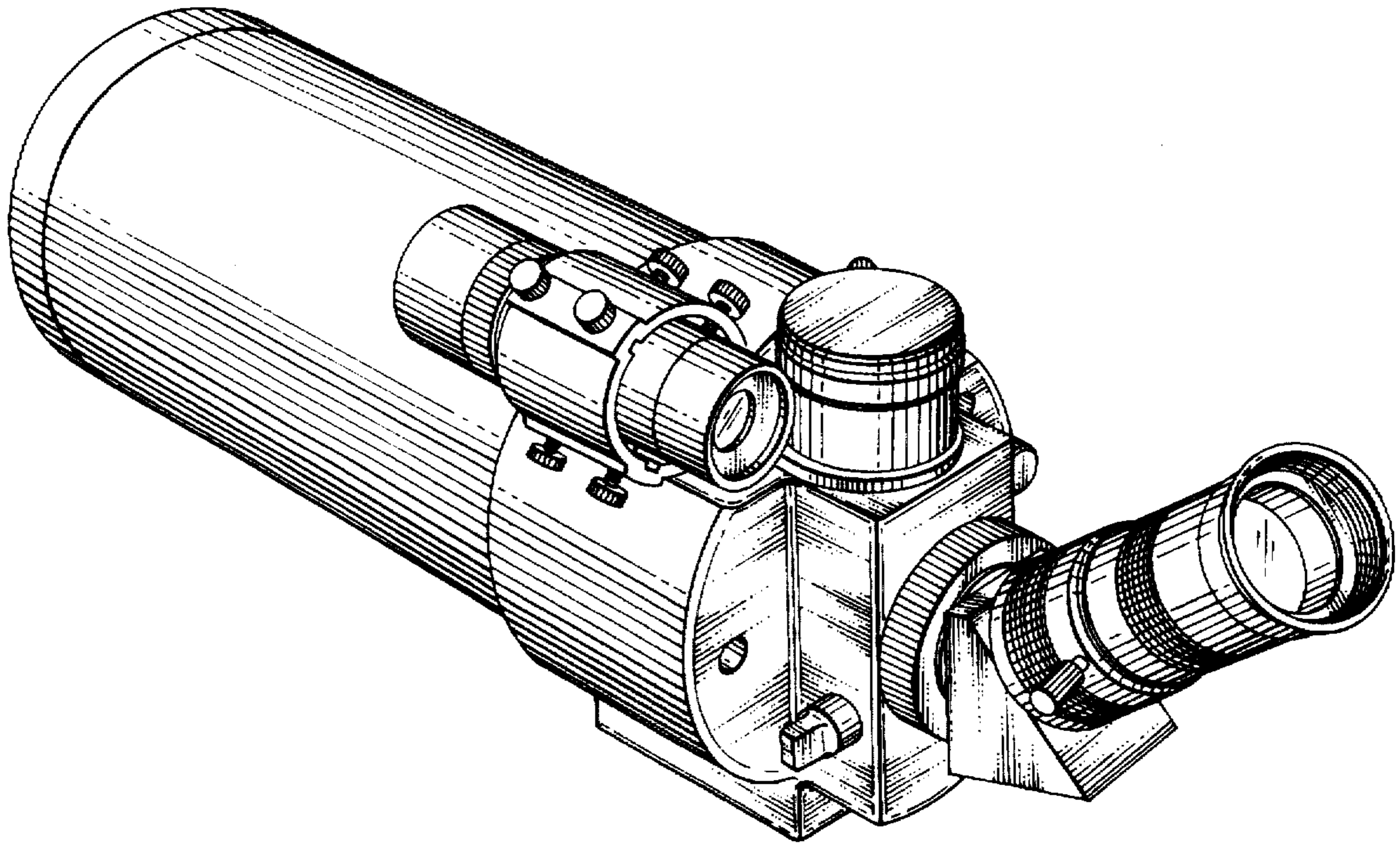
[57] **CLAIM**

The ornamental design for a spotting scope, as shown and described.

DESCRIPTION

FIG. 1 is a front perspective view of a spotting scope showing our new design; FIG. 2 is a side elevational view of the right side thereof; FIG. 3 is a front elevational view thereof; FIG. 4 is a side elevational view of the left side thereof; FIG. 5 is a back elevational view thereof; and, FIG. 6 is a top plan view of the spotting scope oriented as in FIG. 2.

1 Claim, 6 Drawing Sheets



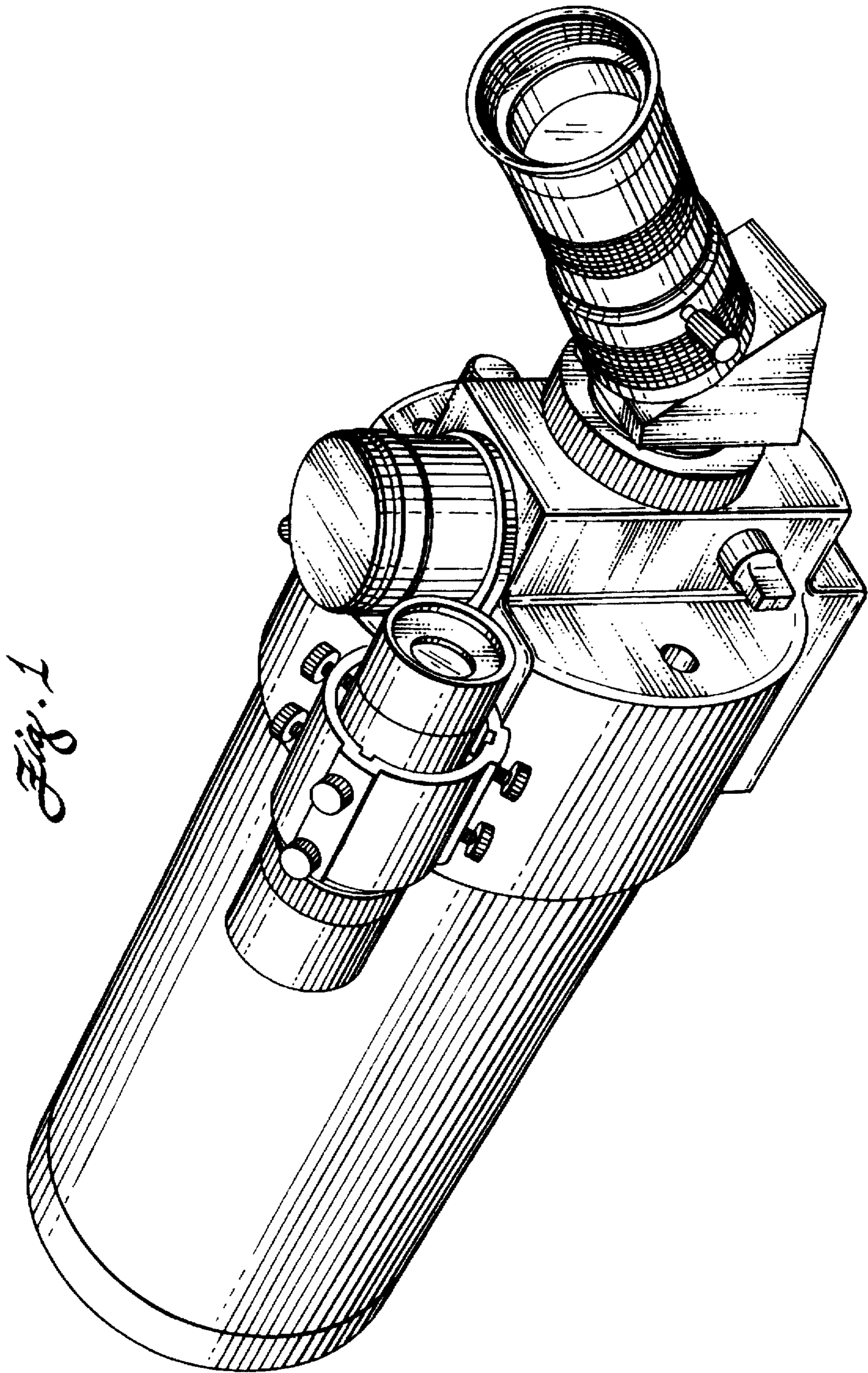


FIG. 2

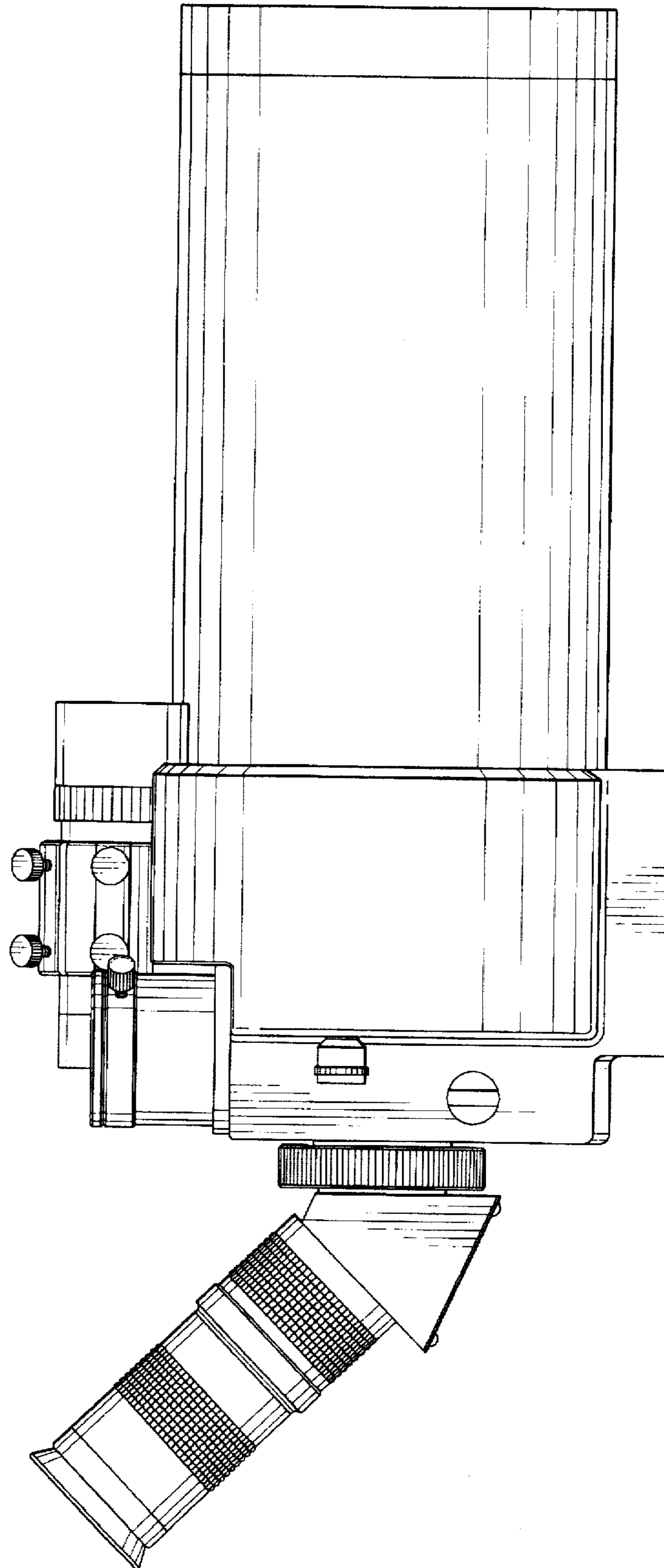
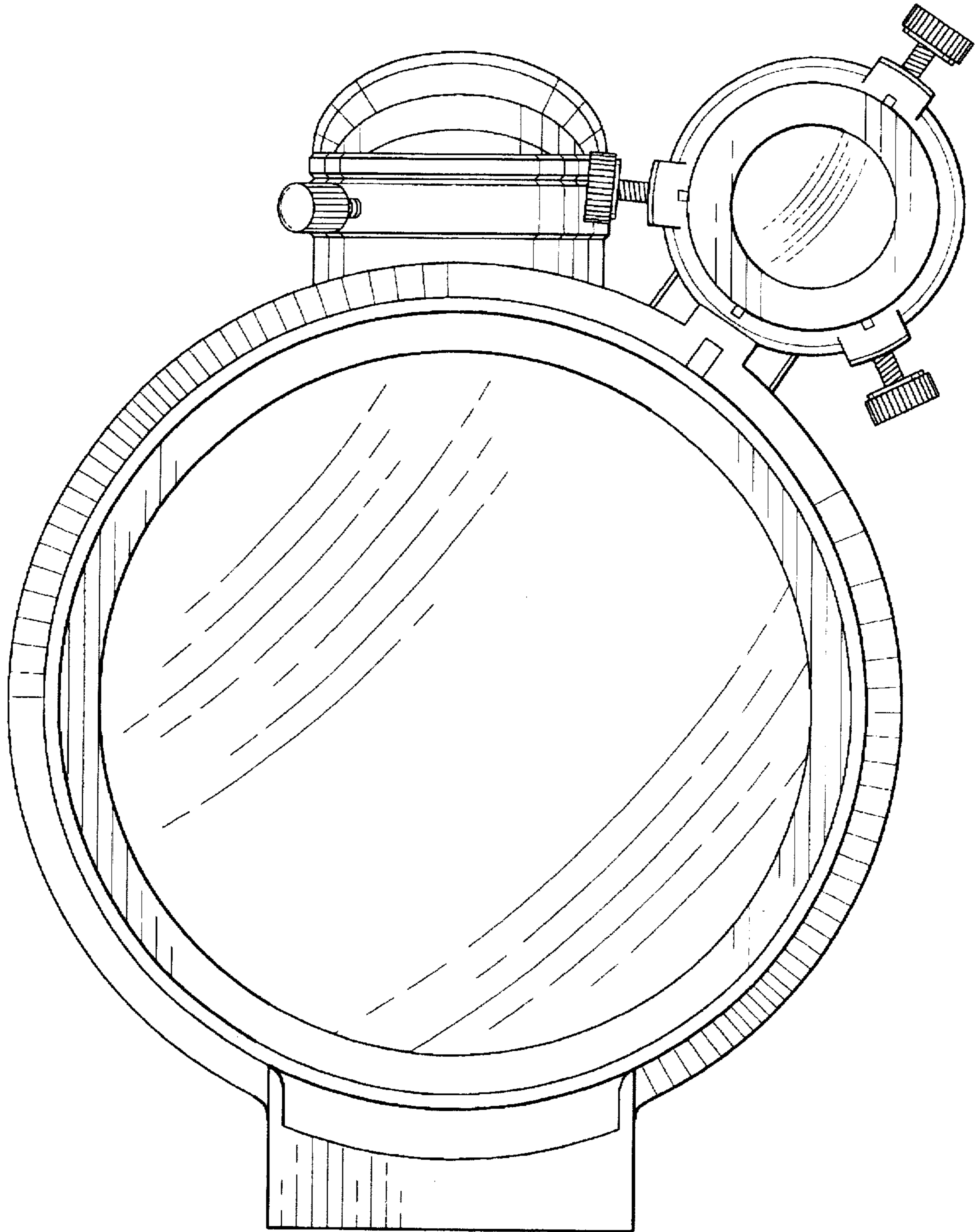


FIG. 3



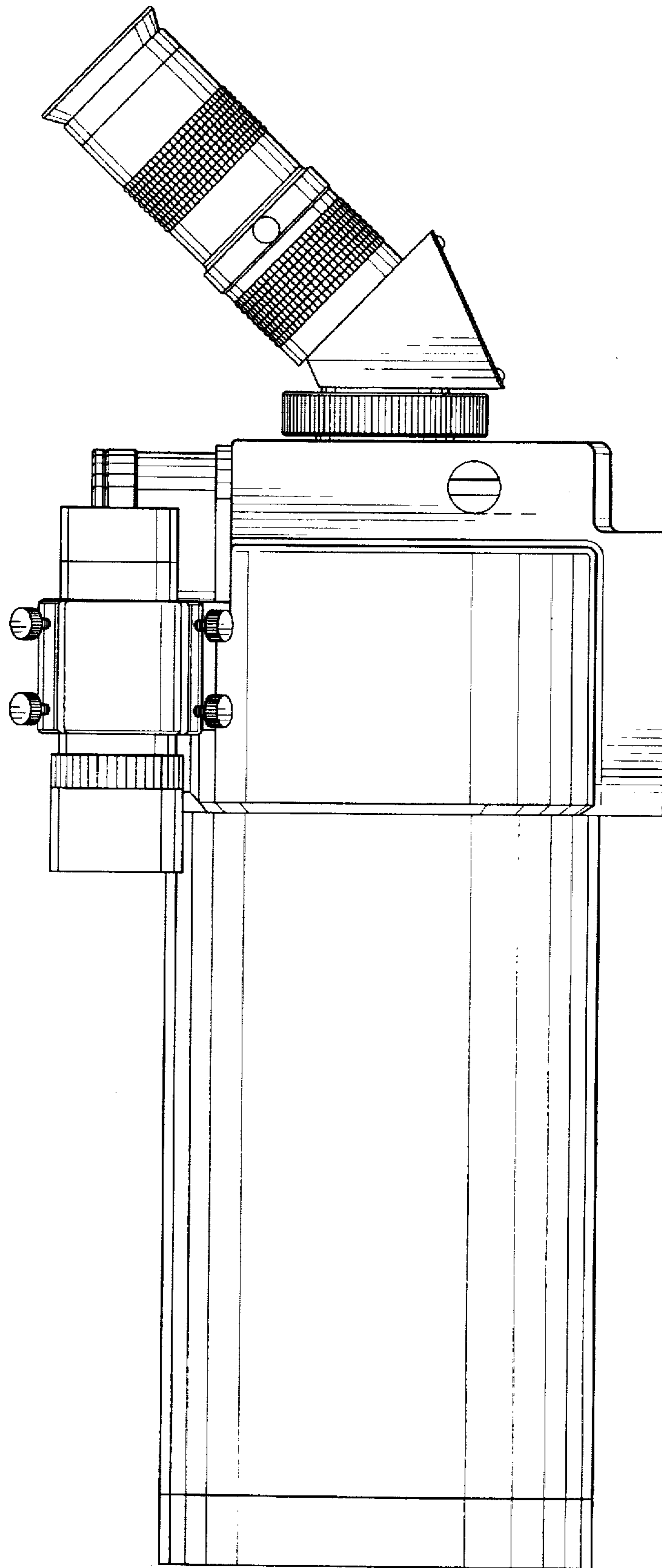


FIG. 4

FIG. 5

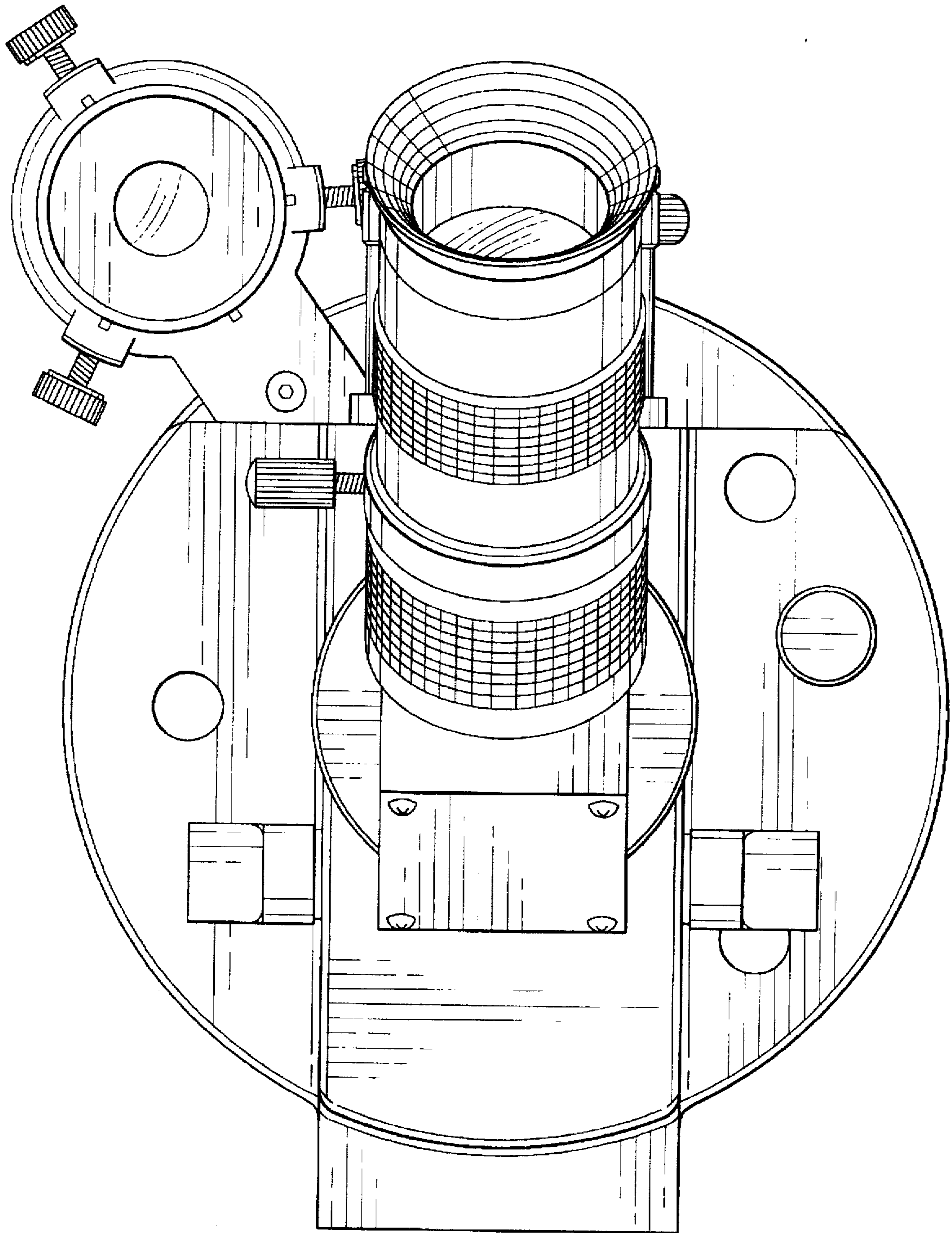


FIG. 6

