

US00D390582S

# United States Patent [19] Palmer

[11] Patent Number: Des. 390,582  
[45] Date of Patent: \*\*Feb. 10, 1998

- [54] **HEADBAND FOR ACCOMMODATING A NIGHT VISION UNIT**
- [75] Inventor: **Gary L. Palmer**, Vinton, Va.
- [73] Assignee: **ITT Industries, Inc.**, White Plains, N.Y.
- [\*\*] Term: **14 Years**
- [21] Appl. No.: **64,626**
- [22] Filed: **Jan. 7, 1997**
- [51] LOC (6) Cl. .... **16-06**
- [52] U.S. Cl. .... **D16/130; D16/136**
- [58] Field of Search ..... D16/130, 132, D16/136; D14/113, 114; D29/100, 110; D2/891; 2/8, 9, 10; 359/408, 409, 411, 480

3,866,244	2/1975	Ruck	.....	2/8
4,986,644	1/1991	Yang	.....	359/411 X
5,077,836	1/1992	Idoff et al.	.....	2/8 X
5,086,515	2/1992	Giuliano	.....	2/8
5,307,204	4/1994	Dor	.....	359/430 X
5,331,459	7/1994	Dor	.....	359/409
5,446,585	8/1995	Morley et al.	.....	359/411

Primary Examiner—Paula A. Mortimer  
Attorney, Agent, or Firm—Plevy & Associates

### [57] CLAIM

The ornamental design for a headband for accommodating a night vision unit, as shown and described.

### DESCRIPTION

FIG. 1 is a front perspective view of a headband for accommodating a night vision unit showing my new design; FIG. 2 is a front elevational view thereof; FIG. 3 is a left side elevational view thereof, the right side is a mirror image; FIG. 4 is a top plan view thereof; FIG. 5 is a rear elevational view thereof; and, FIG. 6 is a bottom plan view thereof. The broken line showing of the bracket in FIG. 1 is for illustrative purposes only and forms no part of the claimed design.

### [56] References Cited U.S. PATENT DOCUMENTS

D. 249,597	9/1978	Dillon	.....	D29/110
D. 300,476	3/1989	Sestak	.....	D29/110 X
2,758,307	8/1956	Treiber	.....	D29/110 X
2,829,374	4/1958	Malcom, Jr.	.....	D29/110
3,531,187	9/1970	Brown	.....	2/84 R
3,582,991	6/1971	Metz	.....	D29/110 X

1 Claim, 4 Drawing Sheets

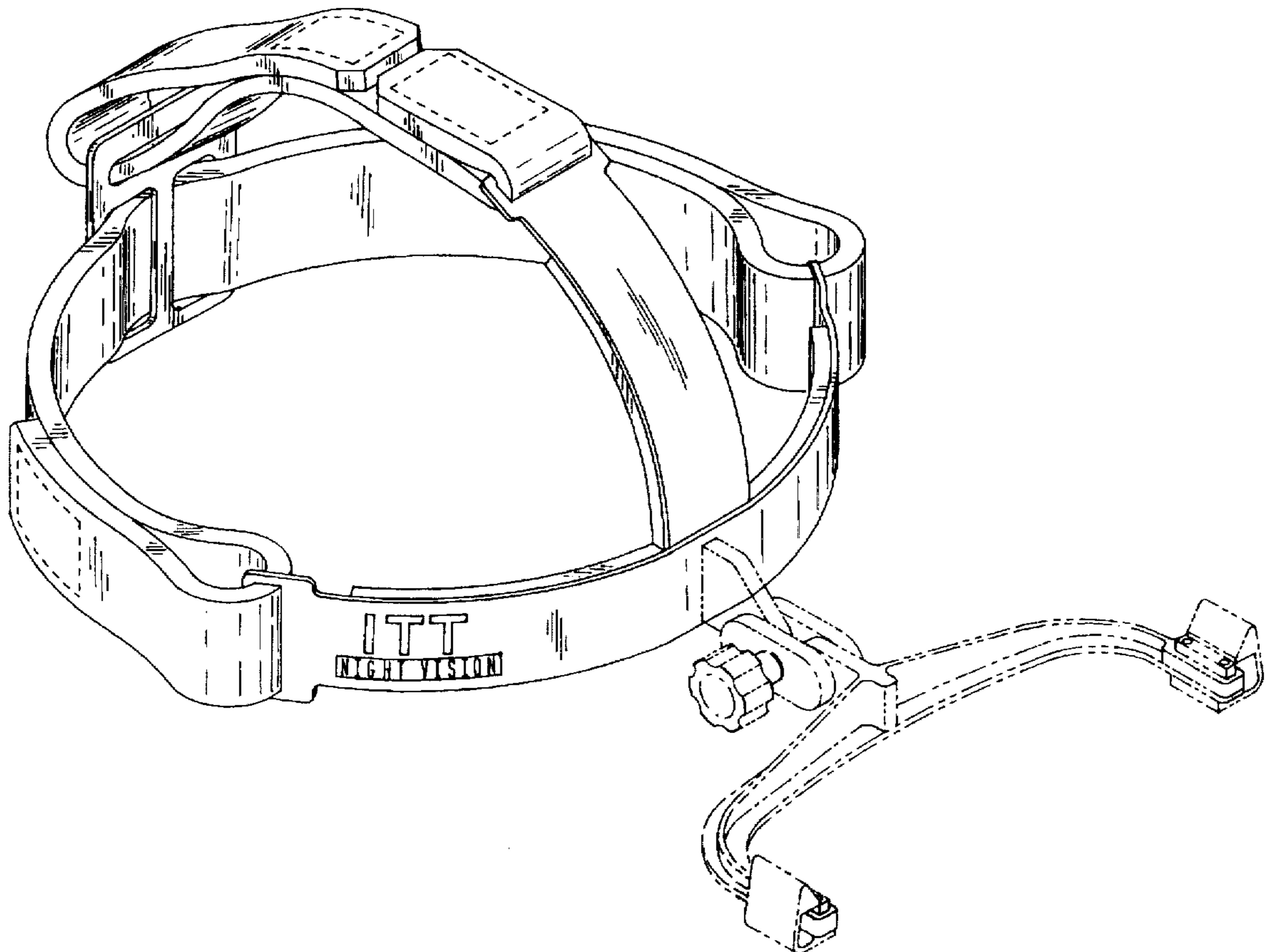


FIG. 1

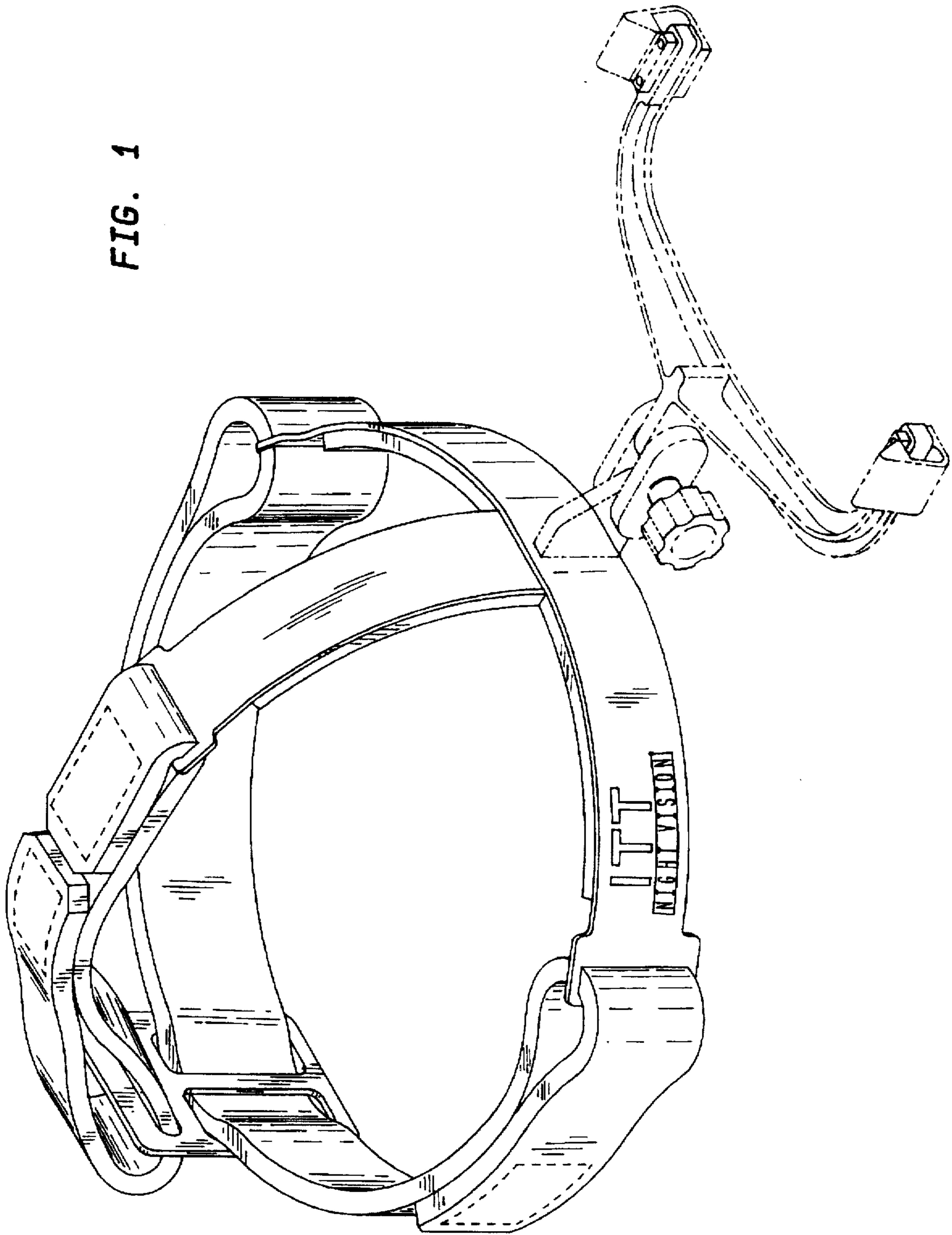


FIG. 2

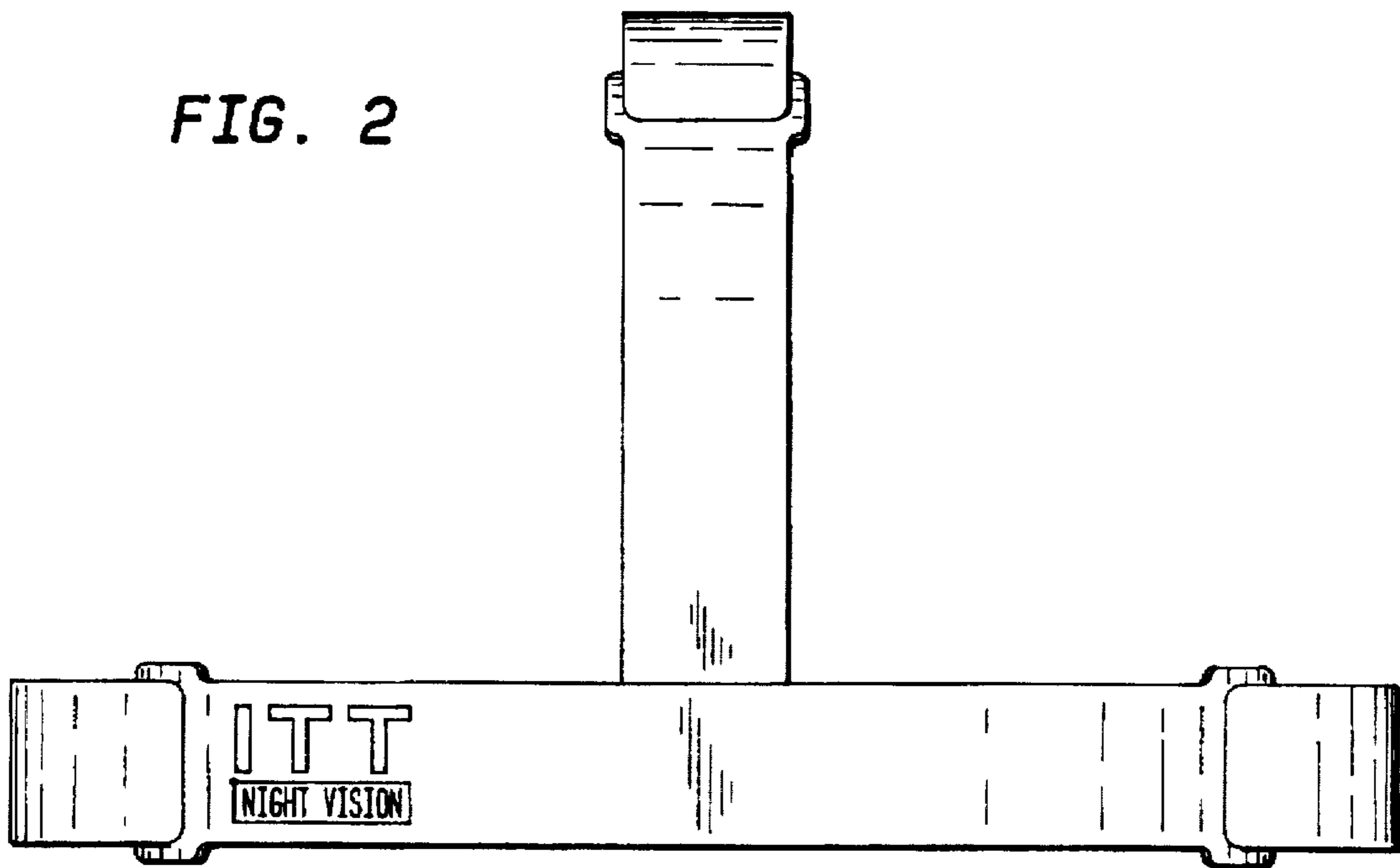


FIG. 3

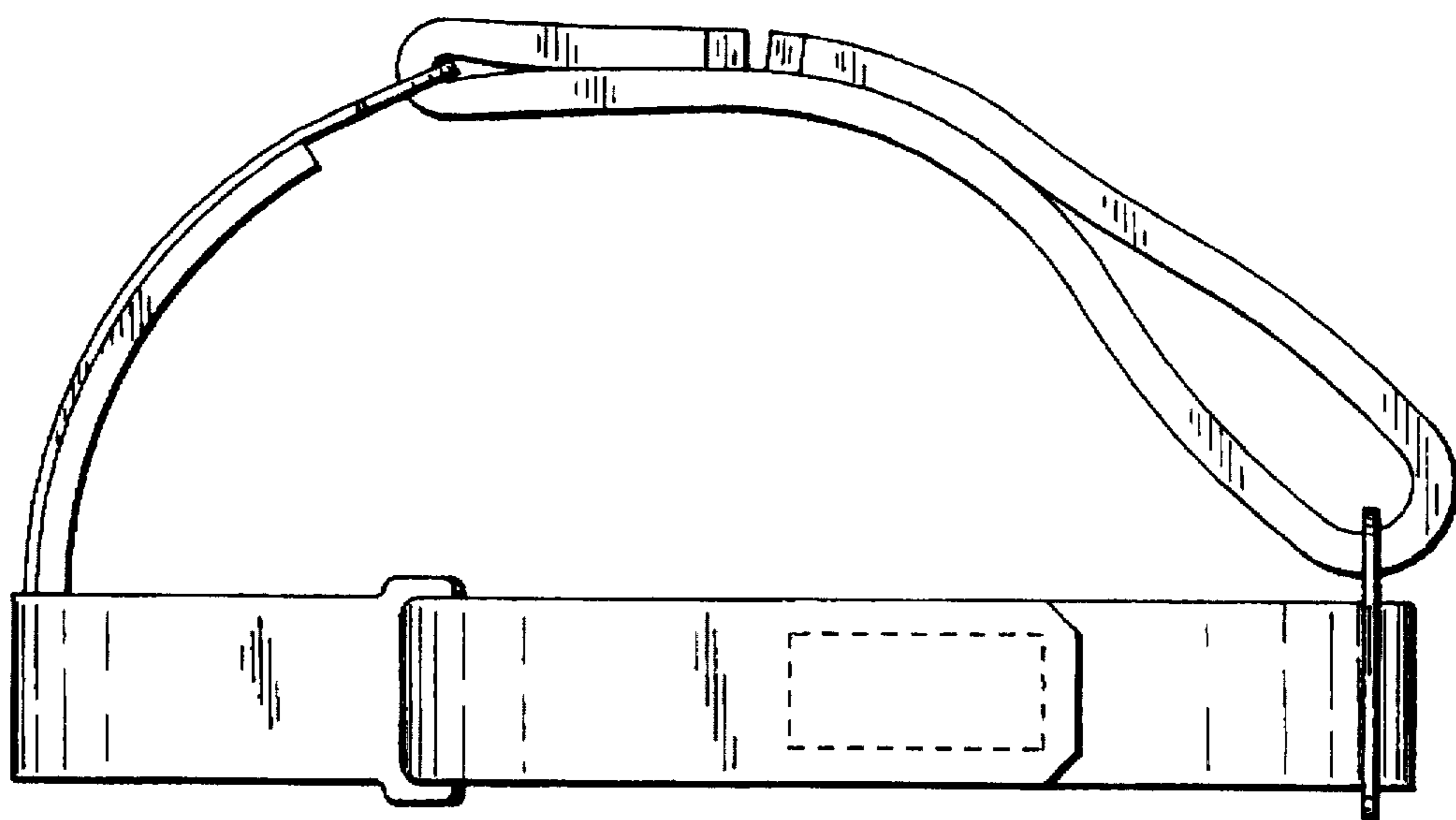


FIG. 4

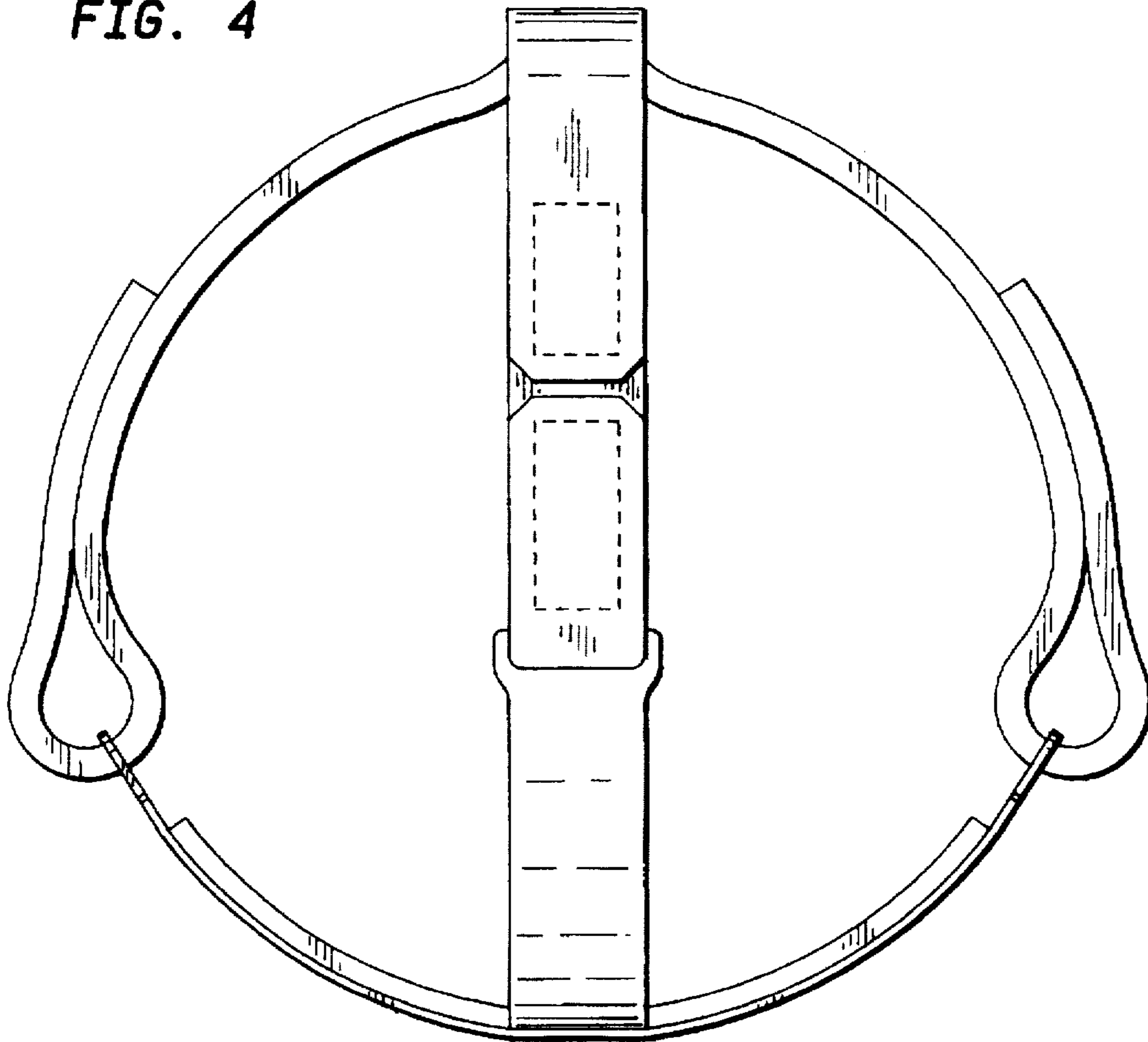


FIG. 5

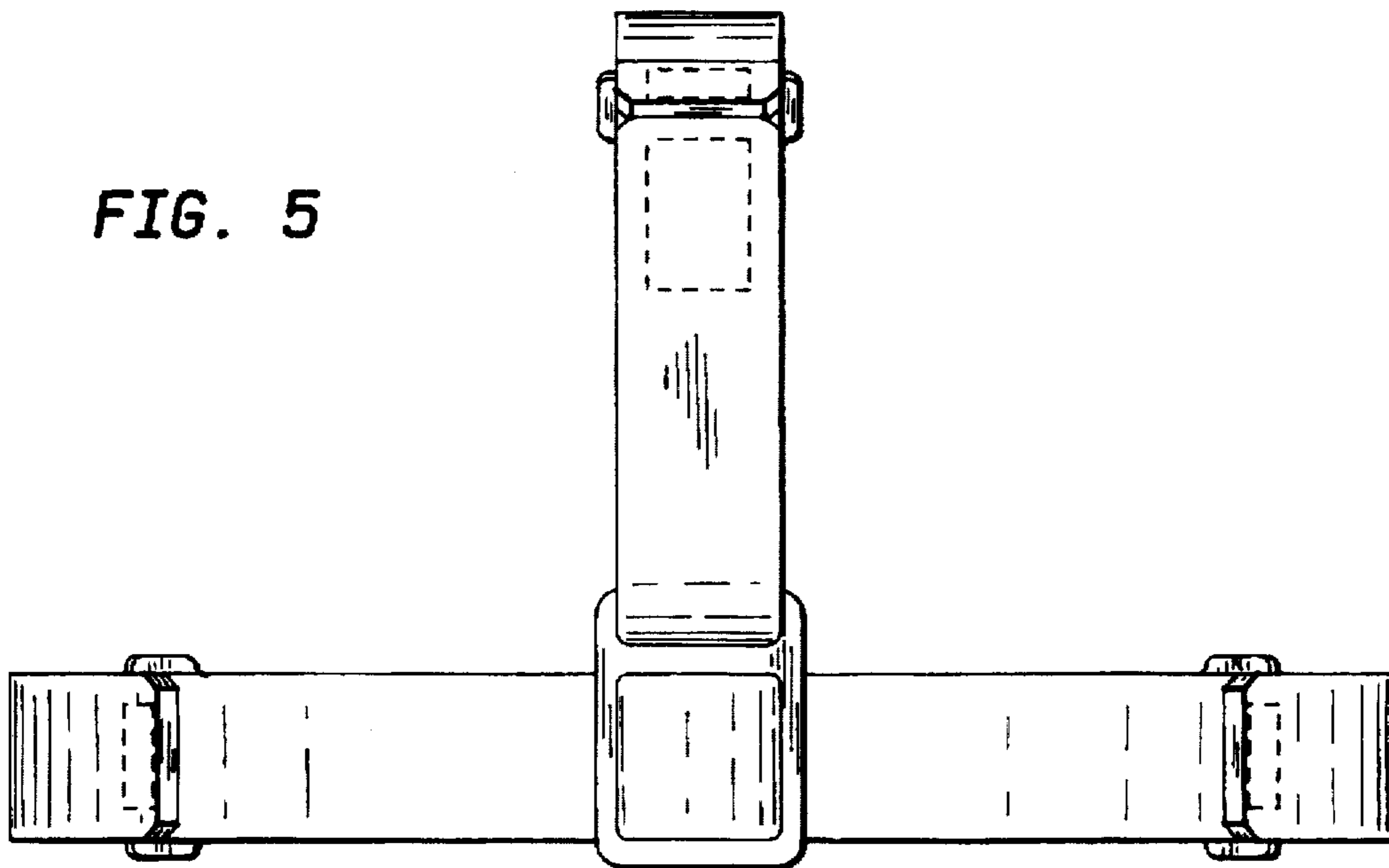


FIG. 6

