



US00D390581S

United States Patent [19]
Palmer

[11] **Patent Number:** **Des. 390,581**
[45] **Date of Patent:** ****Feb. 10, 1998**

[54] **BRACKET FOR ACCOMMODATING A NIGHT VISION UNIT**

4,670,912	6/1987	Hart	359/409 X
5,179,735	1/1993	Thomanek	359/409 X
5,226,181	7/1993	Polednak et al.	359/409 X
5,361,162	11/1994	Goebel	359/418 X
5,506,730	4/1996	Morley et al.	359/407 X

[75] **Inventor:** **Gary L. Palmer, Vinton, Va.**

[73] **Assignee:** **ITT Industries, Inc., White Plains, N.Y.**

[**] **Term:** **14 Years**

Primary Examiner—Paula A. Mortimer
Attorney, Agent, or Firm—Plevy & Associates

[21] **Appl. No.:** **64,623**

[57] **CLAIM**

The ornamental design for a bracket for accommodating a night vision unit, as shown.

[22] **Filed:** **Jan. 7, 1997**

DESCRIPTION

[51] **LOC (6) Cl.** **16-06**

[52] **U.S. Cl.** **D16/136; D16/130**

[58] **Field of Search** **D16/130, 136, D16/132, 135; D8/354, 380, 381; D14/113, 114; D29/100, 110; 359/407, 409, 411, 418, 482, 815; 2/8, 9, 10, 422, 426**

FIG. 1 is a front perspective view of a bracket for accommodating a night vision unit showing my new design; FIG. 2 is a front elevational view thereof; FIG. 3 is a top plan view thereof; FIG. 4 is a right side elevational view thereof; FIG. 5 is a left side elevational view thereof; FIG. 6 is a rear elevational view thereof; and, FIG. 7 is a bottom plan view thereof.

The broken line showing of the headband and night vision unit in FIG. 1 is for illustrative purposes only and forms no part of the claimed design.

[56] **References Cited**

U.S. PATENT DOCUMENTS

D. 266,255	9/1982	Burbo et al.	D16/132 X
D. 358,830	5/1995	Dor	D16/136
2,517,892	8/1950	Larabee et al.	359/409
4,568,154	2/1986	Beecher	359/411

1 Claim, 3 Drawing Sheets

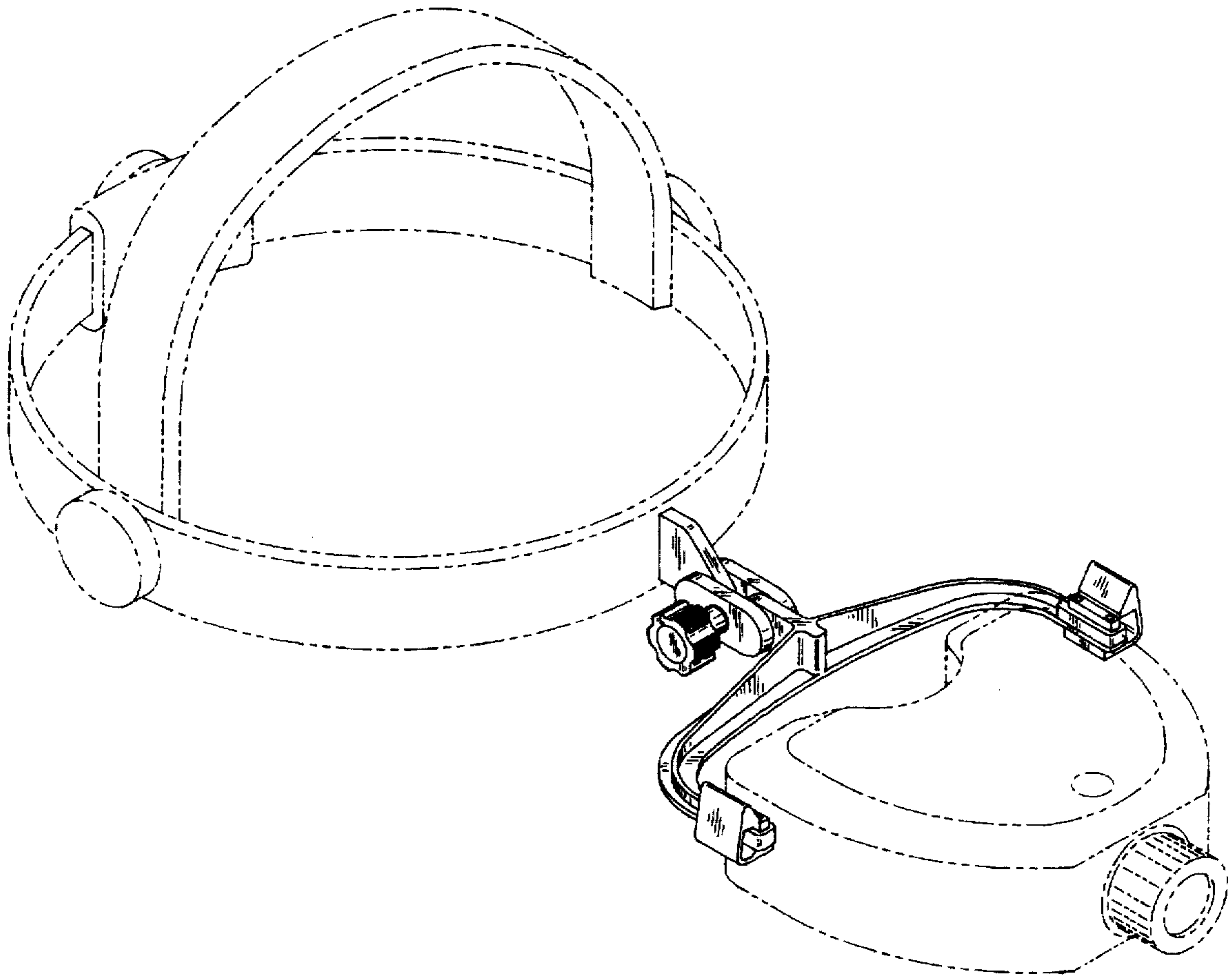


FIG. 1

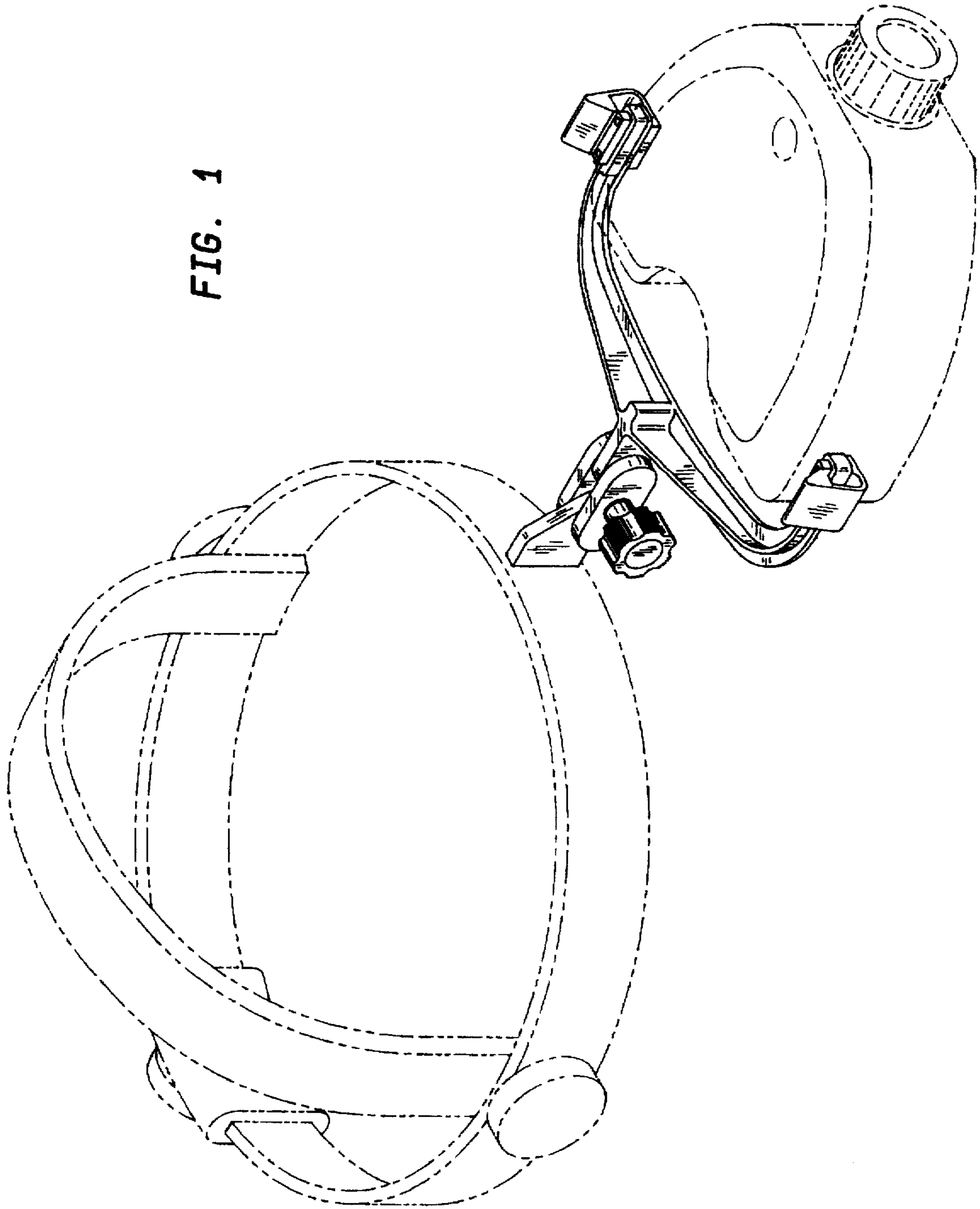


FIG. 2

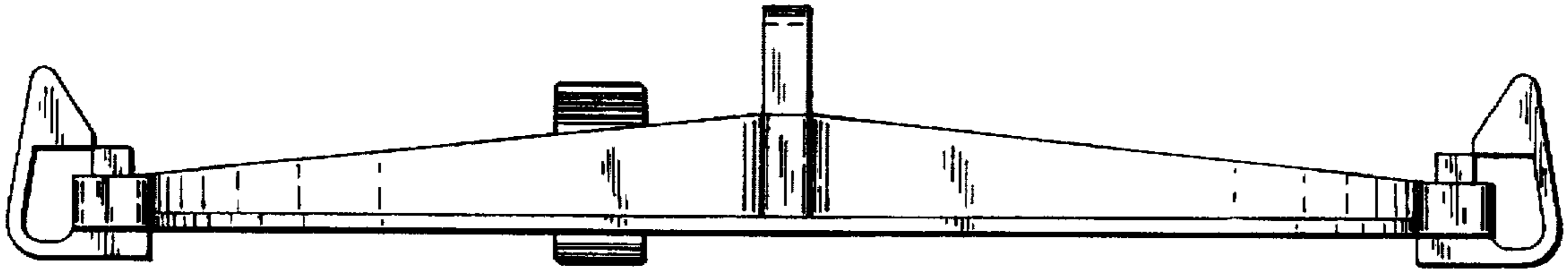


FIG. 3

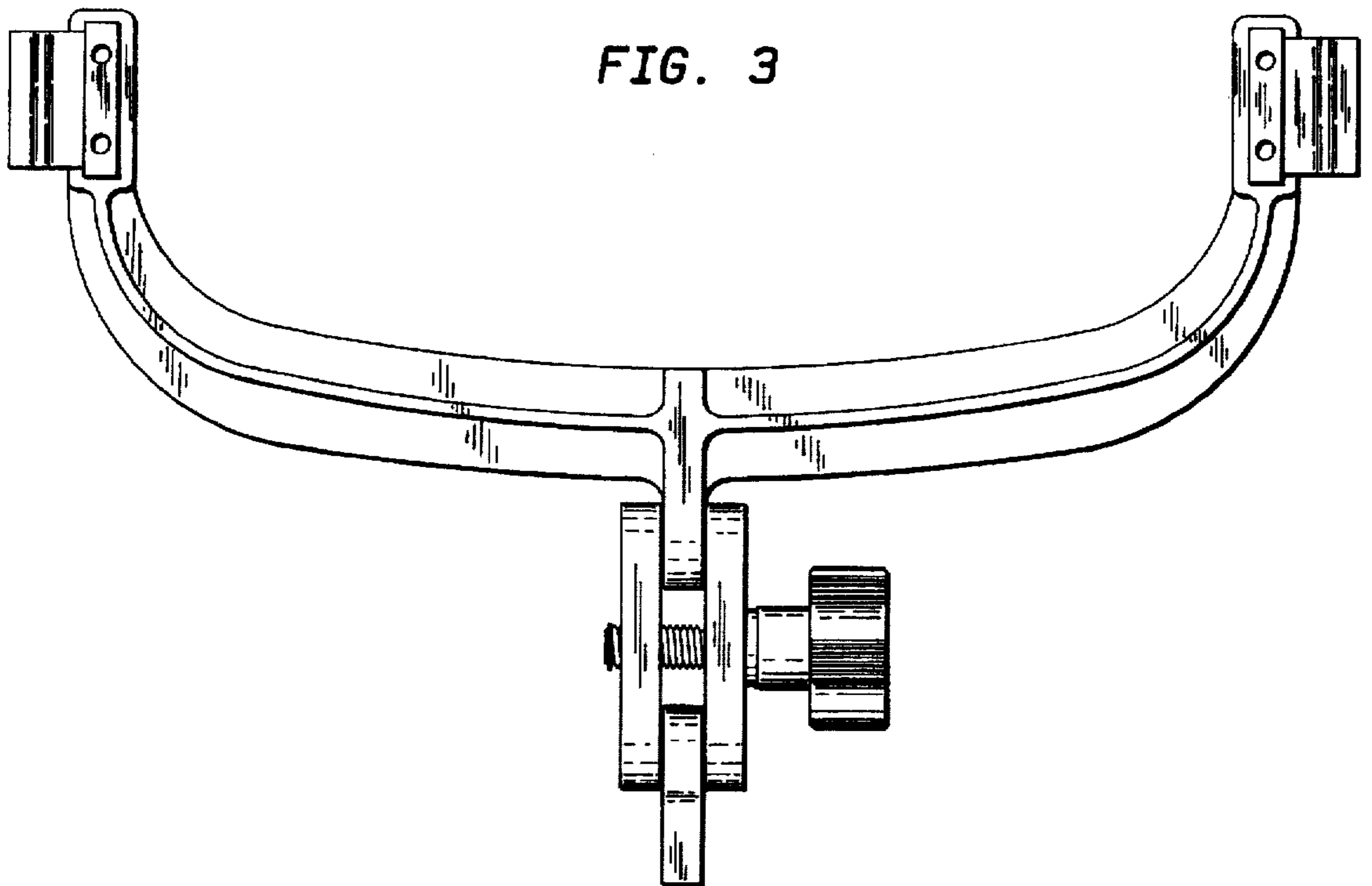


FIG. 4

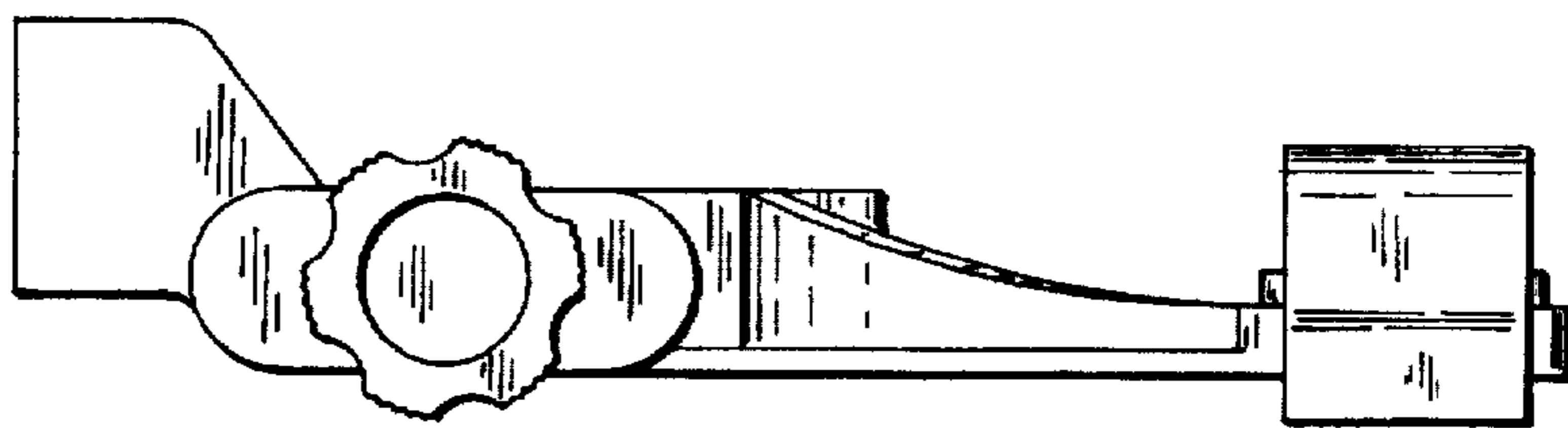


FIG. 5

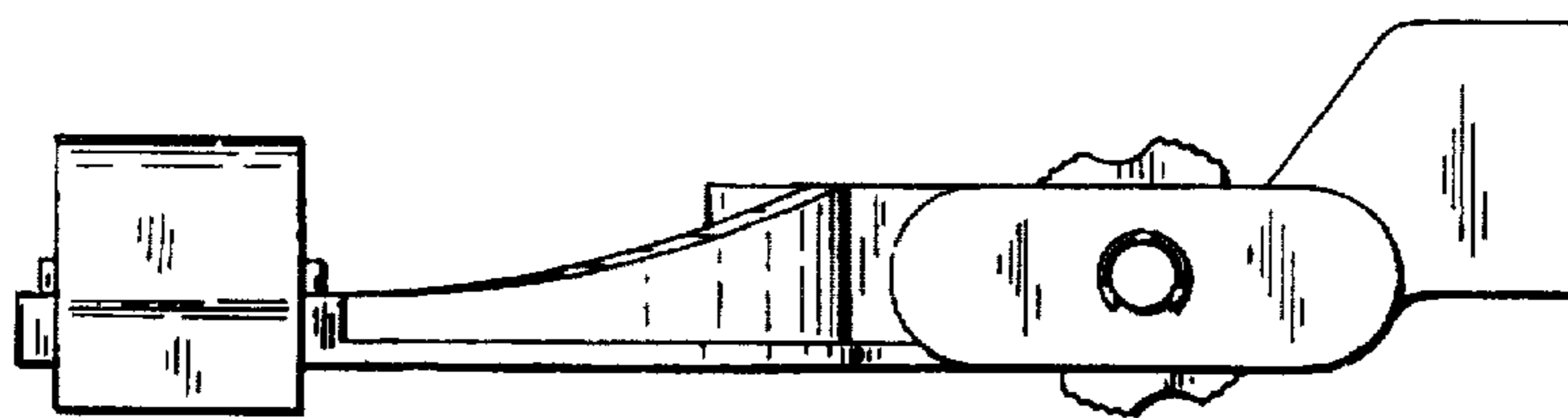


FIG. 6

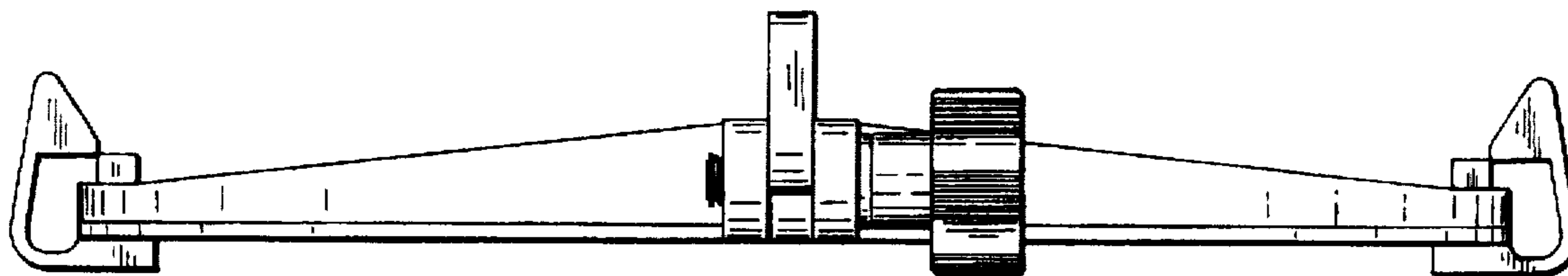


FIG. 7

